

NOTICE

The information contained is for **DEALER REFERENCE PURPOSES ONLY**.
MANUALS ARE MODEL AND SERIAL NUMBER SPECIFIC.

If additional printed manuals are required for your shop/office location, order by part number through the factory's Parts Center.

If a retail customer needs replacement manual(s) for a specific unit, contact the factory's Customer Data Center at: 800-829-0051 or
customerdata@vermeermfg.com

This page intentionally left blank.

Vermeer®

*D16X20A Navigator®
Horizontal Directional Drill*



Parts Manual

P1.16
SERIAL NO. 101 -
ORDER NO. 105400Q77

HOW TO USE THE MANUAL

This manual contains illustrations and parts lists of components and assemblies which make up the machine. Each page consists of the name of the assembly or component, a figure number, reference numbers, part numbers, part names, and the quantities of the parts used.

Assembly or component name helps identify the illustration and parts list for each figure. This name also helps locate the general area of the machine where the assembly or component can be located.

Figure numbers are used to identify each assembly or component and to group these assemblies or components into major categories.

Reference numbers shown in a column refer to the numbered parts in the illustration. This ties the part in the illustration to the part number and description in the parts list.

An asterisk indicates information about the item has changed since the previous release of the parts manual. A note below the table often explains the change.

Part numbers are used to identify individual parts or part assemblies.

Part descriptions provide the name of the part, plus additional information such as dimensional specifications and what parts are grouped together to form part assemblies, which helps you identify the part(s).

Quantities listed for each figure are only for that assembly or component and not the total used per machine.

This parts manual is not intended to be a complete guide for machine service or repairs. Contact your Vermeer dealer for any of your service or technical requirements.

ORDERING PARTS

Parts for repair or replacement are available through our network of authorized dealers located throughout the world.

Use only authorized Vermeer parts for repair or replacement. Always give the serial number and

model number of the machine for which parts are being ordered. When ordering parts for component(s), which are not manufactured by Vermeer Manufacturing, also give the serial number of that component(s). Order all parts by part number, part name, and quantity needed.

UPDATING AND REORDERING MANUALS

The parts lists, illustrations, and specifications in this manual are based on the latest information available at time of publication. Your machine may have product improvements and options not yet contained in this manual.

Vermeer Manufacturing Company reserves the right to make changes at any time without notice or obligation to you.

Your dealer will receive notice of these changes and can assist you with accurate parts identification when ordering.

A copy of this manual is supplied with each machine. Additional copies are available through your dealer. When ordering additional manuals, use the reorder number listed on the front cover and the quantity needed.

No part of this manual may be reproduced in any form or by any means, electronic or mechanical, including photocopying, recording, or by any information storage and retrieval systems, without the express written consent of Vermeer Manufacturing Company.

Copyright © 2004 Vermeer Mfg. Co.
All rights reserved.
Vermeer Manufacturing Company
1210 Vermeer Road East, P.O. Box 200
Pella, Iowa 50219-0200, USA+

Frame Assy - Section 1

Decals - Domestic Fig 1-1r08

Decals - Domestic Fig 1-1x01

Decals - Domestic Fig 1-1x02

Decals - Domestic Fig 1-1x03

Decals - Domestic Fig 1-1x04r01

Decals - Domestic Fig 1-1x04

Decals - Domestic Fig 1-1x05r01

Decals - Domestic Fig 1-1x05

Decals - Domestic Fig 1-1x06r02

Decals - Domestic Fig 1-1x06r01

Decals - Domestic Fig 1-1x06

Decals - International. Fig 1-2r07

Decals - International. Fig 1-2x01

Decals - International. Fig 1-2x02

Decals - International. Fig 1-2x03

Decals - International. Fig 1-2x04r01

Decals - International. Fig 1-2x04

Decals - International. Fig 1-2x05r01

Decals - International. Fig 1-2x05

Decals - International. Fig 1-2x06r02

Decals - International. Fig 1-2x06r01

Decals - International. Fig 1-2x06

Decal Locations. Fig 1-3r05

Decal Locations. Fig 1-4r06

Decal Locations. Fig 1-4r05

Rack Frame Fig 1-5r05

Rack Frame Fig 1-5r04

Track Frame Fig 1-6r04

Track Frame - Steel Fig 1-7r04

Track Frame - Steel (Continued). Fig 1-7r04

Track Frame - Steel Fig 1-7r03

Track Frame - Steel (Continued). Fig 1-7r03

Track Frame - Rubber - (S/N 944-) Fig 1-8r04

Track Frame - Rubber - (S/N 944-) (cont.). Fig 1-8r04

Track Frame - Rubber - (S/N 944-) Fig 1-8r03

Track Frame - Rubber - (S/N 944-) (cont.). Fig 1-8r03

Operator Station Fig 1-9r08

Operator Station. Fig 1-9r07

Fuel Tank (S/N 371-) Fig 1-10r03

Rotation Gearbox Fig 1-11r07

Rotation Gearbox (Continued). Fig 1-11r07

Rotation Gearbox Fig 1-11r06

Rotation Gearbox (Continued). Fig 1-11r06

Rotation Gearbox Fig 1-11r05

Rotation Gearbox (Continued). Fig 1-11r05

Roller - Upper Fig 1-12r01

Roller - Lower Fig 1-13r04

Roller - Lower Fig 1-13r03

Roller - Thrust Cylinder. Fig 1-14r01

Seat/Literature Box Fig 1-15r07

Seat/Literature Box Fig 1-15r06

| | |
|-----------------------------------|-------------|
| Seat/Literature Box | Fig 1-15r05 |
| Hose Carrier | Fig 1-16r01 |
| Hose Carrier Components | Fig 1-17r02 |
| Rod Box | Fig 1-18r02 |
| Outrigger | Fig 1-19r03 |
| Outrigger | Fig 1-19r02 |
| Drive Chuck | Fig 1-20 |
| Umbrella | Fig 1-21 |

Hydraulic Assy - Section 2

| | |
|--|-------------|
| Hydraulic Flow Diagram - Ground Drive | Fig 2-1r04 |
| Hydraulic Flow Diagram - Ground Drive | Fig 2-1r03 |
| Hydraulic Flow Diagram - Rotation | Fig 2-2r04 |
| Hydraulic Flow Diagram - Rotation | Fig 2-2r03 |
| Hydraulic Flow Diagram - Implement (S/N 1472). | Fig 2-3r09 |
| Hydraulic Flow Diagram - Implement | Fig 2-3r08 |
| Hydraulic Flow Diagram - Implement | Fig 2-3r07 |
| Hyd Oil Tank | Fig 2-4r06 |
| Hyd Oil Tank | Fig 2-4r05 |
| Hyd Oil Tank | Fig 2-4r04 |
| Hyd Pump - Implement | Fig 2-5r07 |
| Hyd Pump - Implement | Fig 2-5r06 |
| Hyd Pump - Implement | Fig 2-5r05 |
| Hyd Pump - Rotation | Fig 2-6r09 |
| Hyd Pump - Rotation | Fig 2-6r08 |
| Hyd Pump - Rotation | Fig 2-6r07 |
| Hyd Pump - Rotation | Fig 2-6r06 |
| Rotation Drive Motor | Fig 2-7r02 |
| Track Drive Motor (S/N 944-) | Fig 2-8r09 |
| Track Drive Motor (S/N 944-) | Fig 2-8r08 |
| Track Drive Motor (S/N 944-) | Fig 2-8r07 |
| Track Drive Motor (S/N 944-) | Fig 2-8r06 |
| Track Drive Motor (S/N 944-) | Fig 2-8r05 |
| Water Pump Motor | Fig 2-9r05 |
| Water Pump Motor | Fig 2-9r04 |
| Oil Cooler | Fig 2-10r03 |
| Oil Cooler | Fig 2-10r02 |
| Thrust/Stakedown Valve (S/N 1472). | Fig 2-11r06 |
| Thrust/Stakedown Valve | Fig 2-11r05 |
| Thrust/Stakedown Valve | Fig 2-11r04 |
| Control Valve - Ground Drive | Fig 2-12r07 |
| Proportional/Dump Valve (S/N 1472). | Fig 2-13r06 |
| Proportional/Dump Valve | Fig 2-13r05 |
| Clamp Valve | Fig 2-14r01 |
| Rack Lift Cylinder | Fig 2-15r01 |
| Thrust/Pullback Cylinder | Fig 2-16r06 |
| Thrust/Pullback Cylinder | Fig 2-16r05 |
| Outrigger Cylinder | Fig 2-17r02 |
| Track Extension Cylinder | Fig 2-18r01 |
| Track Extension Cylinder | Fig 2-18 |
| Oil Filter - Load Sense | Fig 2-19r03 |
| Oil Filter - Load Sense | Fig 2-19r02 |
| Oil Filter - Load Sense | Fig 2-19r01 |
| Oil Filter - Charge | Fig 2-20r01 |

| | |
|---|-------------|
| Oil Filter - Charge | Fig 2-20 |
| Miscellaneous Supplies | Fig 2-21r01 |
| Hyd Cylinder Components - 3 1/2" X 4 | Fig 2-22 |
| Hyd Cylinder Components - 3 1/2" X 65 | Fig 2-23 |
| Hyd Cylinder Components - 3 1/2" X 24 | Fig 2-24 |
| Hyd Cylinder Components - 3" X 14 | Fig 2-25 |
| Hyd Motor Components - 29.9 Cu. In. | Fig 2-26r01 |
| Hyd Motor Components - Water Pump (S/N 101-779) | Fig 2-27r01 |
| Hyd Motor Components - 46 Cu. In. | Fig 2-28r01 |
| Hyd Motor Components - 56 Cu. In. | Fig 2-29r01 |
| Valve Components - Proportional/Dump (S/N 101-385, 387-641) | Fig 2-30r03 |
| Solenoid Valve Components (S/N 101-385, 387-461) | Fig 2-31r01 |
| 2-Way Solenoid Valve Components (S/N 101-385, 387-461) | Fig 2-32r01 |
| 2-Way Nc Solenoid Valve Components (S/N 101-385, 387-461) | Fig 2-33r01 |
| Lock Valve Components | Fig 2-34 |
| Water Pump On/Off Cylinder | Fig 2-35r04 |
| Water Pump On/Off Cylinder | Fig 2-35r03 |
| Valve Components - 2 Pos 4 Way (S/N 101-385, 387-461) | Fig 2-36r01 |
| Hyd Cylinder Components - 1" X 3 1/2 | Fig 2-37r01 |
| Transport Valve Components (S/N 101-652) | Fig 2-38r01 |
| Thrust/Stakedown Valve Components | Fig 2-39 |
| Flow Regulator & Bypass Valve (S/N 368 -) | Fig 2-40r01 |
| Flow Regulator & Bypass Valve Components | Fig 2-41r01 |
| Solenoid Valve Components (S/N 386, 462) | Fig 2-42r01 |
| Valve Components - Proportional/Dump (S/N 386, 462-779) | Fig 2-43r01 |
| 2-Way Solenoid Valve Components (S/N 386, 462 -) | Fig 2-44 |
| 2-Way Nc Solenoid Valve Components (S/N 386, 462 -) | Fig 2-45r01 |
| Valve Components - 2 Pos 4 Way (S/N 386, 462 -) | Fig 2-46 |
| Control Valve Components - 5 Spool (S/N 653 -) | Fig 2-47r01 |
| Control Valve Components - 5 Spool (S/N 653 -) | Fig 2-47 |
| Valve Components - Proportional/Dump (S/N 780-) | Fig 2-48 |
| Hyd Motor W/Speed Pickup Components - Water Pump (S/N 870 -) | Fig 2-49 |
| Hyd Motor Components - 46 Cu. In. (S/N 944-) | Fig 2-50r02 |
| Hyd Motor Components - 46 Cu. In. (S/N 944-) | Fig 2-50r01 |
| Hyd Motor Components - 46 Cu. In. (S/N 944-) | Fig 2-50 |
| Hyd Motor Components - 56 Cu. In. (S/N 944-) | Fig 2-51 |
| Valve Components - Proportional/Dump | Fig 2-52 |

Engine Assy - Section 3

| | |
|-------------------|------------|
| Engine Components | Fig 3-1r06 |
| Engine Components | Fig 3-1r05 |
| Engine Components | Fig 3-1r04 |
| Engine Components | Fig 3-1r03 |
| Engine Components | Fig 3-2r07 |
| Engine Components | Fig 3-2r06 |
| Engine Components | Fig 3-2r05 |
| Engine Bay | Fig 3-3r09 |
| Engine Bay | Fig 3-3r08 |
| Engine Bay | Fig 3-3r07 |
| Engine Bay | Fig 3-3r06 |
| Engine Shield | Fig 3-4r05 |
| Engine Shield | Fig 3-4r04 |
| Engine Bay Shield | Fig 3-5r04 |
| Engine Bay Shield | Fig 3-5r03 |

| | |
|----------------------------------|-------------|
| Engine Bay Shield | Fig 3-5r02 |
| Radiator Shield | Fig 3-6r04 |
| Radiator Shield | Fig 3-6r03 |
| Radiator | Fig 3-7r04 |
| Radiator | Fig 3-7r03 |
| Air Cleaner | Fig 3-8r01 |
| Air Cleaner | Fig 3-8 |
| Air Cleaner Components | Fig 3-9 |
| Muffler (Cummins Only) | Fig 3-10r07 |
| Muffler (Cummins Only) | Fig 3-10r06 |
| Muffler (Cummins Only) | Fig 3-10r05 |
| Muffler | Fig 3-10r04 |

Control/Electrical Assy - Section 4

| | |
|--|-------------|
| Control Panel (S/N 1400-) | Fig 4-1r10 |
| Control Panel (S/N 1400-) (Continued) | Fig 4-1r10 |
| Control Panel | Fig 4-1r09 |
| Control Panel (Continued) | Fig 4-1r09 |
| Control Panel | Fig 4-1r08 |
| Control Panel (Continued) | Fig 4-1r08 |
| Control Panel | Fig 4-1r07 |
| Control Panel (Continued) | Fig 4-1r07 |
| Control Panel | Fig 4-1r06 |
| Control Panel (Continued) | Fig 4-1r06 |
| Control Panel | Fig 4-1r05 |
| Control Panel (Continued) | Fig 4-1r05 |
| Control Console Electrical Components (S/N 1400-) | Fig 4-2r11 |
| Control Console Electrical Components (S/N 386 462-) | Fig 4-2r10 |
| Control Console Electrical Components (S/N 386 462-) | Fig 4-2r09 |
| Control Console Electrical Components (S/N 386 462-) | Fig 4-2r08 |
| Pressure Gauge (S/N 1472) | Fig 4-3r06 |
| Pressure Gauge | Fig 4-3r05 |
| Pressure Gauge | Fig 4-3r04 |
| Pressure Gauge | Fig 4-3r03 |
| Battery | Fig 4-4r05 |
| Battery | Fig 4-4r04 |
| Battery | Fig 4-4r03 |
| Control Lever - Thrust/Pullback | Fig 4-5r03 |
| Control Lever - Rotation | Fig 4-6r04 |
| Control Lever - Rotation | Fig 4-6r03 |
| Control Lever - Rotation | Fig 4-6r02 |
| Work Lights | Fig 4-7r01 |
| Safety Bar | Fig 4-8r05 |
| Safety Bar | Fig 4-8r04 |
| Safety Bar | Fig 4-8r03 |
| Rod Marker | Fig 4-9r01 |
| Control Lever Components - Rotation | Fig 4-10 |
| Throttle Actuator | Fig 4-11 |
| Grid Heater Relay (S/N 1328-) | Fig 4-12r01 |
| Grid Heater Relay (S/N 1328-) | Fig 4-12 |
| Harness-Main/Seat (S/N 1400-) | Fig 4-13 |
| Harness-Relay/Panel (S/N 1400-) | Fig 4-14 |
| Harness-Strike Alert Coil 14" (1400-) | Fig 4-15 |

Water System Assy - Section 5

Water Pump Fig 5-1r03
 Water Lines Fig 5-2r05
 Water Lines Fig 5-2r04
 Water Lines..... Fig 5-2r03
 Water Tank Fig 5-3r03
 Water Tank Fig 5-3r02
 Wand Assy Fig 5-4r04
 Drill Fluid Fig 5-5
 Water Pump Components - Power End..... Fig 5-6r05
 Water Pump Components - Power End..... Fig 5-6r04
 Water Pump Components - Power End..... Fig 5-6r03
 Water Pump Components - Fluid End Fig 5-7r04
 Water Pump Components - Fluid End Fig 5-7r03
 Water Shut-Off Valve Fig 5-8r04
 Water Shut-Off Valve Fig 5-8r03
 Water Shut-Off Valve Components..... Fig 5-9

Ground System/Safety Assy - Section 6

Voltage Stake Fig 6-1r02
 Voltage Stake Fig 6-1r01
 Safety Features - Gloves Boots Cones..... Fig 6-2r01

Vise Clamp Assy - Section 7

Hydraulic Flow Diagram - Clamp Fig 7-1
 Clamp Fig 7-2r04
 Clamp Fig 7-2r03
 Zap Alert Coil Fig 7-3r03
 Zap Alert Coil Fig 7-3r02
 Zap Alert Coil Fig 7-3r01
 Clamp Cylinder Fig 7-4r01
 Rotation Cylinder Fig 7-5
 Clamp Valve Plumbing Fig 7-6
 Hyd Cylinder Components - 4" X 2" Fig 7-7
 Hyd Cylinder Components - 2" X 2" Fig 7-8

Stakedown Assy - Section 8

Hydraulic Flow Diagram - Stakedown Fig 8-1r02
 Control Valve Plumbing Fig 8-2r03
 Stationary Stakedown Fig 8-3r05
 Stationary Stakedown Fig 8-3r04
 Hyd Motor Components Fig 8-4
 "Hyd Cylinder Components - 1 1/2" X 24"..... Fig 8-5r01
 Lock Valve Components..... Fig 8-6

Locator Package B DIGITRAK - Section 9

Location Package, MARK III - DIGITRAK - Dom & Int Fig 9-1
 Location Package, MARK III - DIGITRAK (W/Remote Display) Dom Fig 9-2
 Location Package, MARK III - DIGITRAK (W/Remote Display) Int. Fig 9-3
 Data Logger, MARK III _ DIGITRAK. Fig 9-4

Loc Package B SPOT-D-TEK - Section 10

Location Package, SPOT D TEK II.2 Utility Fig 10-1
 Location Package, SPOT D TEK II.2, III & IIIA Fig 10-2
 Location Package, SPOT D TEK Mole Mapping System Fig 10-3

Rod Loader Assy - Section 11

Hydraulic Flow Diagram - Rod Loader Fig 11-1r06
 Hydraulic Flow Diagram - Rod Loader Fig 11-1r05
 Hydraulic Flow Diagram - Rod Loader Fig 11-1r04
 Hydraulic Flow Diagram - Rod Loader Fig 11-1r03
 Clamp Fig 11-2r03
 Rod Loader Fig 11-3r04
 Rod Loader Fig 11-3r03
 Rod Loader Fig 11-3r02
 Loader Valve Components (S/N 101-385 387-461) Fig 11-4r04
 Rod Loader Frame Fig 11-5r02
 Rod Lift Cylinder Fig 11-6r04
 Rod Lift Cylinder Fig 11-6r03
 Rod Lift Cylinder Fig 11-6r02
 Cylinder Components - 2" X 3" Fig 11-7
 Shift Motor Fig 11-8r01
 Shift Motor Fig 11-8
 Hyd Motor Components Fig 11-9
 Selector Fig 11-10r02
 Selector Fig 11-10r01
 Clamp Cylinder. Fig 11-11r04
 Clamp Cylinder. Fig 11-11r03
 Clamp Cylinder. Fig 11-11r02
 Cylinder Components - 1" X 1 1/2" Fig 11-12
 Guide Rod Fig 11-13r01
 Electrical - Rod Loader. Fig 11-14r02
 Sequence Switch Fig 11-15r03
 Rod Box Fig 11-16r04
 Rod Box Fig 11-16r03
 Row Selector Fig 11-17r03
 Shield Fig 11-18r01
 Loader Valve Components (S/N 386 462-) Fig 11-19

AutoGreaser Assy - Section 12

AutoGreaser Fig 12-1r01
 AutoGreaser Fig 12-1
 AutoGreaser Breakdown Fig 12-2r02
 AutoGreaser Breakdown Fig 12-2r01
 AutoGreaser Breakdown Fig 12-2

Cylinder Components Fig 12-3
Valve Components Fig 12-4

Remote Lockout Assy - Section 13

Remote Lockout (S/N 1400-) Fig 13-1r02
Remote Lockout Fig 13-1r01
Remote Lockout Fig 13-1
Remote Lockout Hydraulics Fig 13-2r02
Remote Lockout Hydraulics Fig 13-2r01
Remote Lockout Hydraulics Fig 13-2
Torque Limiter Hydraulic Valve (S/N 114-) Fig 13-3r02
Torque Limiter Hydraulic Valve (S/N 1149-) Fig 13-3r01
Torque Limiter Hydraulic Valve (S/N 1149-) Fig 13-3
Torque Limiter Valve Components Fig 13-4

Decals - Domestic Fig 1-1r08

FIGURE DELETED DUE TO UPDATE

Decals - Domestic Fig 1-1r08

| REF. NO. | * | PART NO. | DESCRIPTION | QTY. | REMARKS |
|----------|---|---------------|--|------|---------------------|
| | | Revision Date | July, 2002 | | Deleted From Manual |
| | | | Replaced with Figures 1-1x01 Thru 1-1x06 | | |

Decals - Domestic Fig 1-1x01

Vermeer

1

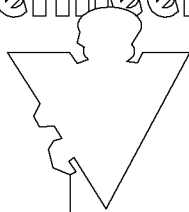
NAVIGATOR

2

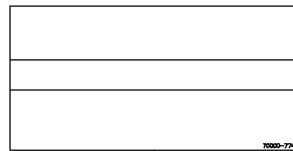
D16x20A

3

Vermeer



4

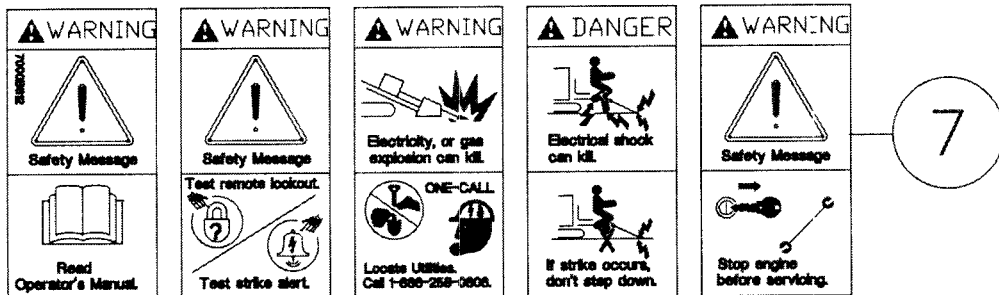
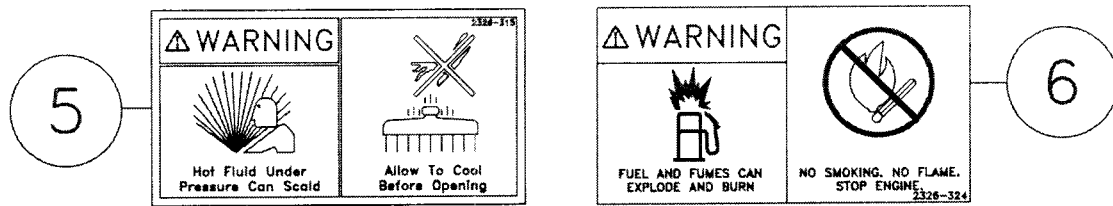
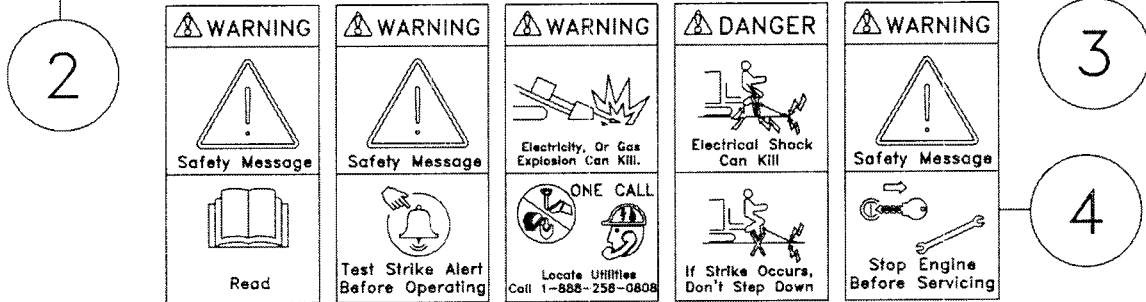
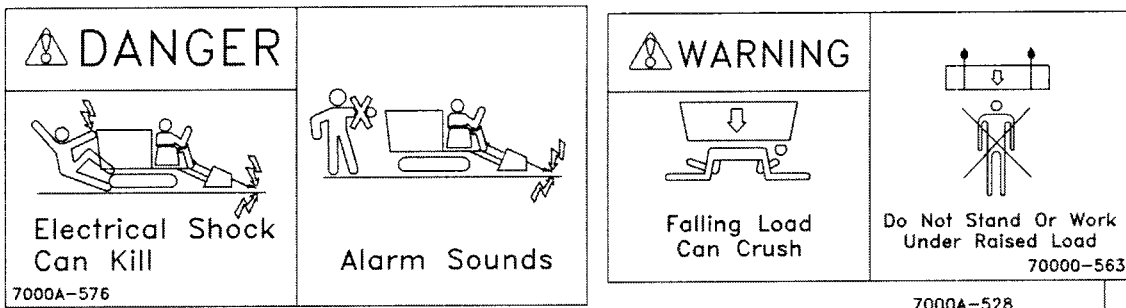
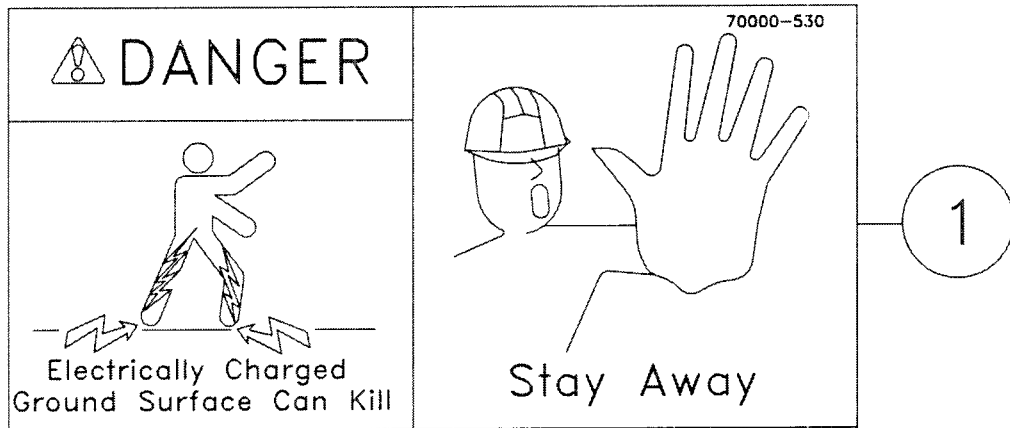


5

Decals - Domestic Fig 1-1x01

| REF. NO. | * | PART NO. | DESCRIPTION | QTY. | REMARKS |
|----------|---|---------------|--|------|---|
| | | Revision Date | July, 2002 | | Addition To Manual |
| 1 | | 7000B059 | DECAL-MODEL VERMEER 6" | 1 | |
| 2 | | 70000614 | DECAL - NAVIGATOR 3 5/8 X 17 | 1 | |
| 3 | | 7000B051 | DECAL-MODEL D16X20A | 1 | |
| 4 | | 70000784 | DECAL 5'VERMEER LOGO (2 REQD. SN101-370) | 1 | |
| 5 | | 70000775 | DECAL 3"VERMEER STRIPE | A/R | P/N Qty Of 1 = 1 Foot, 5 1/2 Feet Required |
| | | | | | |
| | | 901228100 | DECAL ASSY-D16 X 20A (DOMESTIC) | | Includes All Decal In Figure's 1-1x01 Thru 1-1x06 |

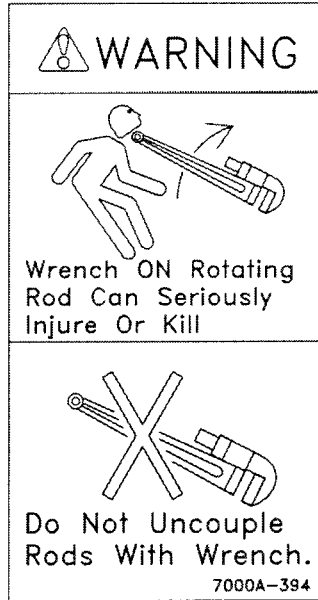
Decals - Domestic Fig 1-1x02



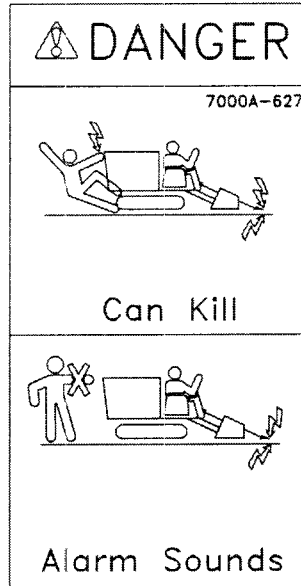
Decals - Domestic Fig 1-1x02

| REF. NO. | * | PART NO. | DESCRIPTION | QTY. | REMARKS |
|----------|---|---------------|---------------------------------|------|--|
| | | Revision Date | July, 2002 | | Addition To Manual |
| 1 | | 70000530 | DECAL-DANGER | 4 | |
| 2 | | 70000576 | DECAL-WARNING | 4 | |
| 3 | | 70000563 | DECAL-WARNING (UND) | 2 | |
| 4 | | 7000A528 | DECAL-WARNING | 1 | |
| 5 | | 2326315 | DECAL-WARNING | 1 | |
| 6 | | 2326324 | DECAL-WARNING/REFUEL | 1 | |
| 7 | | 7000B812 | DECAL - WARNING | 1 | |
| | | 901228100 | DECAL ASSY-D16 X 20A (DOMESTIC) | | Includes All Decals In Figure's 1-1x01 Thru 1-1x06 |

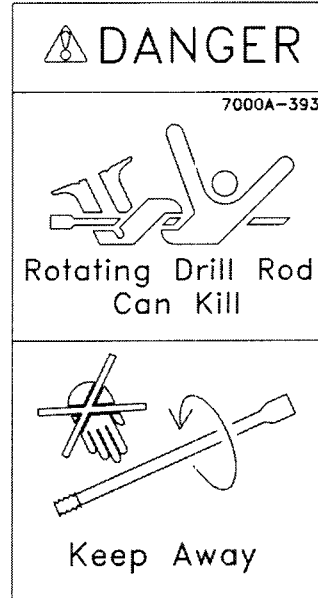
Decals - Domestic Fig 1-1x03



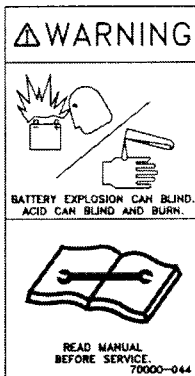
1



2



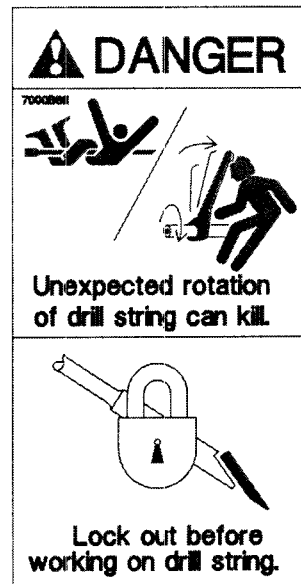
3



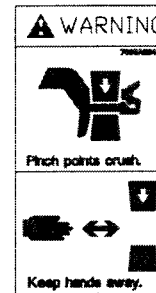
4



5



6

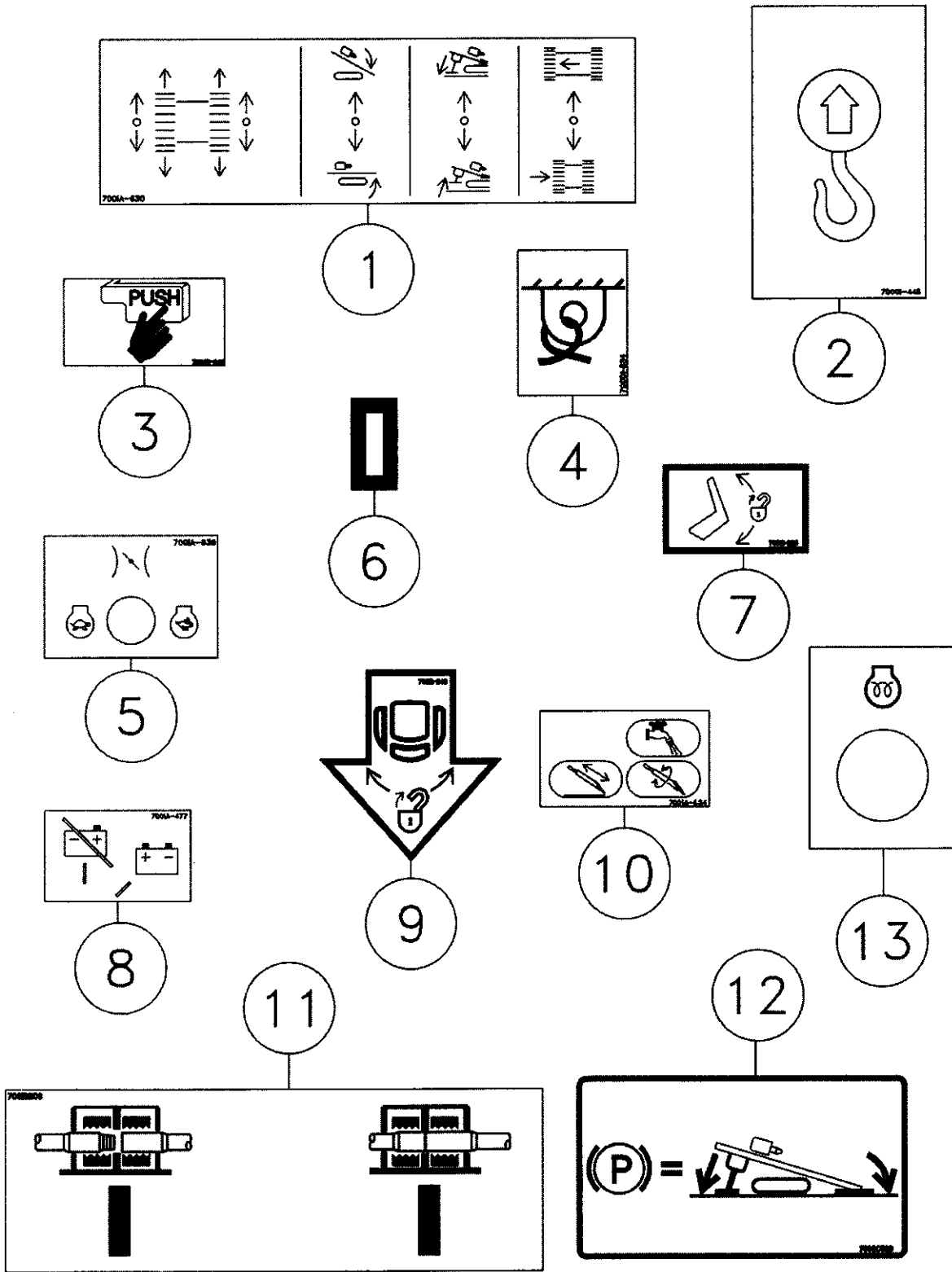


7

Decals - Domestic Fig 1-1x03

| REF. NO. | * | PART NO. | DESCRIPTION | QTY. | REMARKS |
|----------|---|---------------|---------------------------------|------|--|
| | | Revision Date | July, 2002 | | Addition To Manual |
| 1 | | 7000A394 | DECAL-WARNING | 1 | |
| 2 | | 7000A627 | DECAL-DANGER | 2 | |
| 3 | | 7000A393 | DECAL-DANGER | 1 | |
| 4 | | 70000044 | DECAL-WARNING(AT/UND) | 1 | |
| 5 | | 7000B304 | DECAL - WARNING | 1 | |
| 6 | | 7000B811 | DECAL - DANGER - RLE - DOMESTIC | 1 | |
| 7 | | 7000A864 | DECAL-WARNING DOMESTIC | 1 | |
| | | 901228100 | DECAL ASSY-D16 X 20A (DOMESTIC) | | Includes All Decals In Figure's 1-1x01 Thru 1-1x06 |

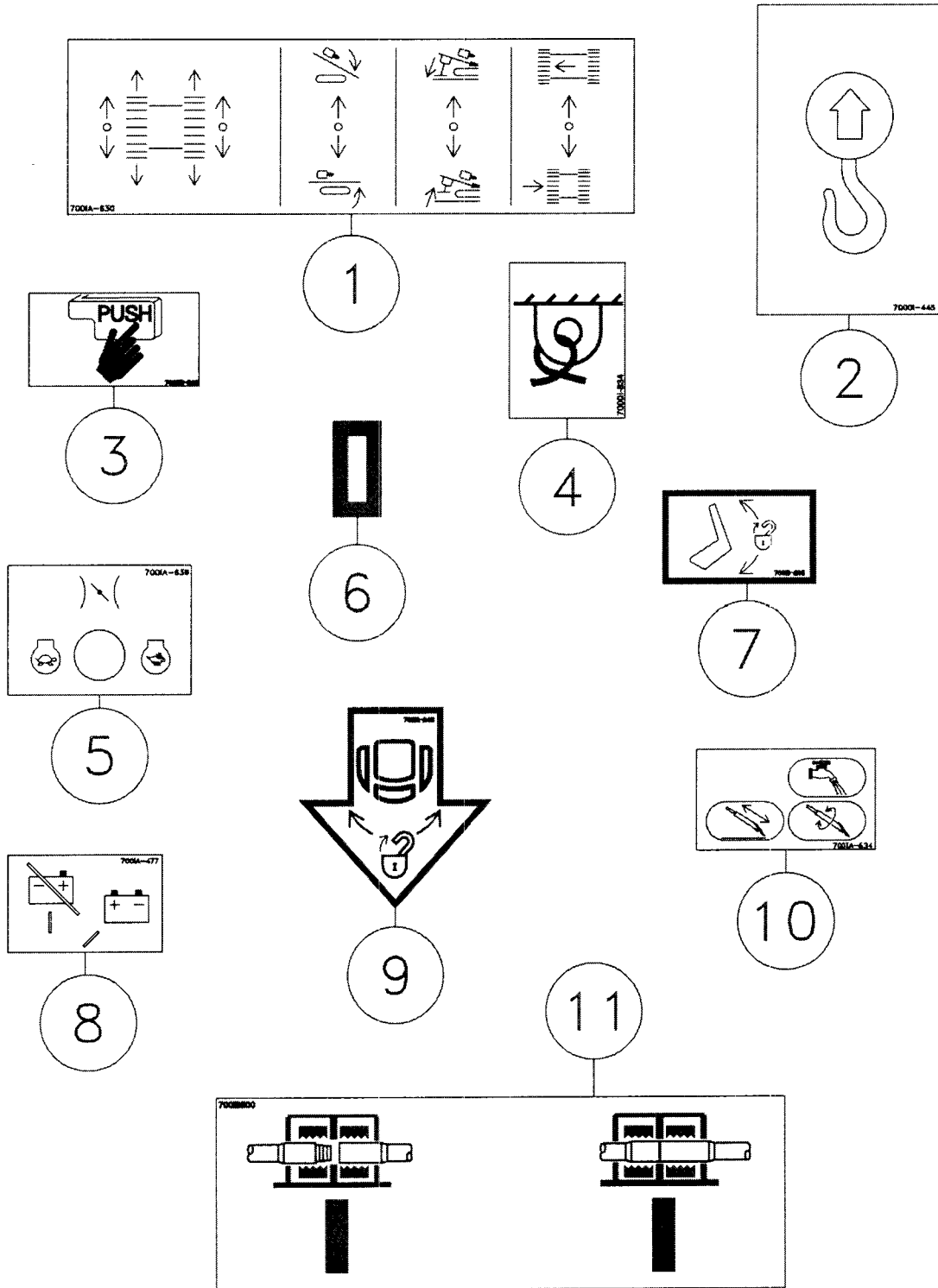
Decals - Domestic Fig 1-1x04r01



Decals - Domestic Fig 1-1x04r01

| REF. NO. | * | PART NO. | DESCRIPTION | QTY. | REMARKS |
|----------|---|---------------|---------------------------------|------|--|
| | | Revision Date | May, 2005 | | Update In Illustration & Parts List. |
| 1 | | 7001A630 | DECAL-CTL VALVES | 1 | |
| 2 | | 7000I445 | DECAL-LST POINT | 2 | |
| 3 | | 7000B246 | DECAL-PUSH | 1 | |
| 4 | | 7000I834 | DECAL-TIE DOWN POINT | 7 | |
| 5 | | 700IA639 | DECAL | 1 | |
| 6 | | 2326142 | DECAL-INDICATOR | .067 | P/N Qty Of 1 = 1 Each |
| 7 | | 700IB293 | DECAL-SEAT LOCK | 1 | S/N 462- |
| 8 | | 700IA477 | DECAL-BATTERY SWITCH (UG) | 1 | |
| 9 | | 700IB248 | DECAL-PUSH | 1 | |
| 10 | | 700IA634 | DECAL-GAUGES | 1 | |
| 11 | | 700IB500 | DECAL - ROD POSITIONER | 1 | |
| 12 | | 7000C339 | DECAL - PARKING | 1 | |
| 13 | | 7000C072 | DECAL - GLOW PLUG | 1 | |
| | | | | | |
| | | 901228100 | DECAL ASSY-D16 X 20A (DOMESTIC) | | Includes All Decals In Figure 1-1x01 Thru 1-1x06 |

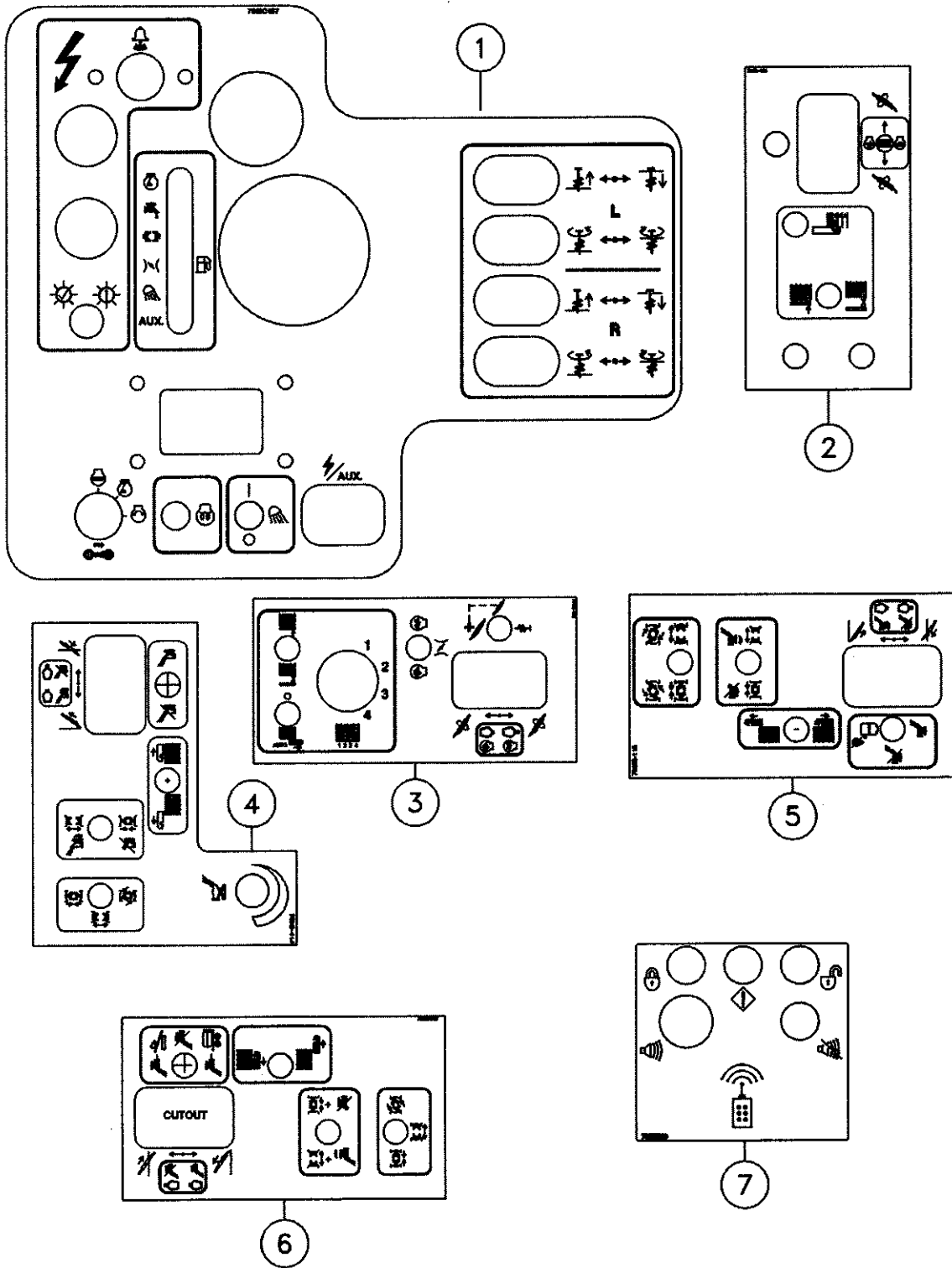
Decals - Domestic Fig 1-1x04



Decals - Domestic Fig 1-1x04

| REF. NO. | * | PART NO. | DESCRIPTION | QTY. | REMARKS |
|----------|---|---------------|---------------------------------|------|--|
| | | Revision Date | July, 2002 | | Addition To Manual |
| 1 | | 7001A630 | DECAL-CTL VALVES | 1 | |
| 2 | | 7000I445 | DECAL-LST POINT | 2 | |
| 3 | | 7000B246 | DECAL-PUSH | 1 | |
| 4 | | 7000I834 | DECAL-TIE DOWN POINT | 7 | |
| 5 | | 700IA639 | DECAL | 1 | |
| 6 | | 2326142 | DECAL-INDICATOR | .067 | P/N Qty Of 1 = 1 Each |
| 7 | | 700IB293 | DECAL-SEAT LOCK | 1 | S/N 462 |
| 8 | | 700IA477 | DECAL-BATTERY SWITCH (UG) | 1 | |
| 9 | | 700IB248 | DECAL-PUSH | 1 | |
| 10 | | 700IA634 | DECAL-GAUGES | 1 | |
| 11 | | 700IB500 | DECAL - ROD POSITIONER | 1 | |
| | | | | | |
| | | 901228100 | DECAL ASSY-D16 X 20A (DOMESTIC) | | Includes All Decals In Figure 1-1x01 Thru 1-1x06 |

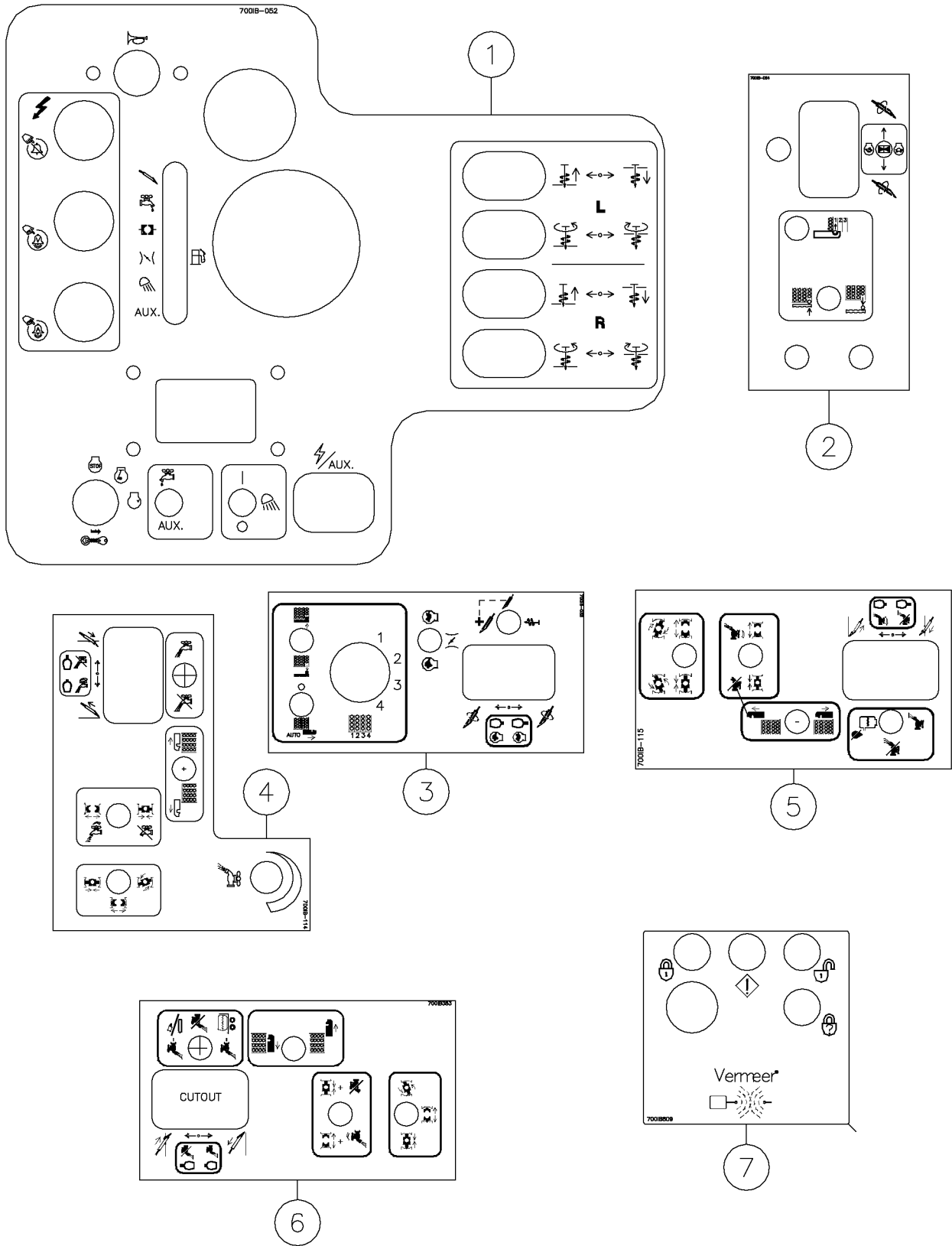
Decals - Domestic Fig 1-1x05r01



Decals - Domestic Fig 1-1x05r01

| REF. NO. | * | PART NO. | DESCRIPTION | QTY. | REMARKS |
|----------|---|---------------|---------------------------------|------|--|
| | | Revision Date | May, 2006 | | Update In Illustration & Parts List. |
| 1 | | 700IB052 | DECAL-DASH | 1 | |
| | | 700IC497 | DECAL - DASH | 1 | S/N 1400- |
| 2 | | 700IB054 | DECAL-OPERATOR CONTROL (L) | 1 | |
| 3 | | 700IB083 | *DECAL-OPERATOR CONTROL (L) | 1 | |
| 4 | | 700IB114 | DECAL-OPERATOR CONTROL | 1 | S/N 101-799 |
| 5 | | 700IB115 | *DECAL-OPERATOR CONTROL | 1 | |
| 6 | | 700IB383 | DECAL - OPERATOR CONTROL | 1 | S/N 780 |
| 7 | | 700IC569 | DECAL - REMOTE LOCKOUT | 1 | |
| | | | | | |
| | | 901228100 | DECAL ASSY-D16 X 20A (DOMESTIC) | | Includes All Decals In Figure's 1-1x01 Thru 1-1x06 |

Decals - Domestic Fig 1-1x05



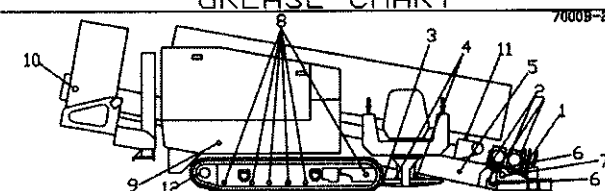
Decals - Domestic Fig 1-1x05

| REF. NO. | * | PART NO. | DESCRIPTION | QTY. | REMARKS |
|----------|---|---------------|---------------------------------|------|--|
| | | Revision Date | October, 2000 | | |
| 1 | | 700IB052 | DECAL-DASH | 1 | |
| 2 | | 700IB054 | DECAL-OPERATOR CONTROL (L) | 1 | |
| 3 | | 700IB083 | *DECAL-OPERATOR CONTROL (L) | 1 | |
| 4 | | 700IB114 | DECAL-OPERATOR CONTROL | 1 | S/N 101-799 |
| 5 | | 700IB115 | *DECAL-OPERATOR CONTROL | 1 | |
| 6 | | 700IB383 | DECAL - OPERATOR CONTROL | 1 | S/N 780 |
| 7 | | 700IB809 | DECAL - REMOTE LOCKOUT | 1 | |
| | | 901228100 | DECAL ASSY-D16 X 20A (DOMESTIC) | | Includes All Decals In Figure's 1-1x01 Thru 1-1x06 |

Decals - Domestic Fig 1-1x06r02

GREASE CHART

70008-243



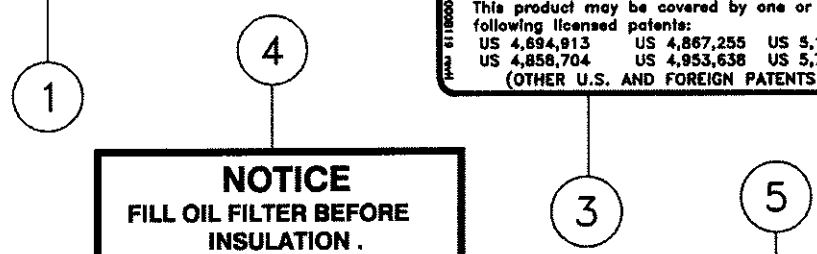
| REFERENCE NUMBER | DESCRIPTION | NUMBER SHOTS | INTERVALS HOURS |
|------------------|------------------------------------|--------------|-----------------|
| 1. | GUIDE ROLLERS (4 PLACES) | 2 | 10 |
| 2. | CLAMP SLIDE (6 PLACES) | 2 | 10 |
| 3. | STATION PIVOT | 2 | 50 |
| 4. | SEAT PIVOT (2 PLACES) | 2 | 50 |
| 5. | THRUST CYLINDER ROLLERS (2 PLACES) | 2 | 50 |
| 6. | JOINT BREAK CYLINDER (2 PLACES) | 2 | 10 |
| 7. | LOWER THRUST ROLLER | 2 | 50 |
| 8. | TRACK IDLER ROLLERS (12 PLACES) | 2 | 50 |
| 9. | TRACK PIVOT | 2 | 10 |
| 10. | UPPER THRUST ROLLER | 2 | 50 |
| 11. | ROD LOADER (3 PLACES) | 1 | 40 |
| 12. | TRACK MOTOR SHAFT (2 PLACES) | 2 | 40 |

See operator's manual for detailed lubrication instructions.

This product may be covered by one or more of the following patents:

| | | | |
|---------------------|--------------|--------------|--------------|
| AU 756,936 | US 5,580,041 | US 6,195,922 | US 6,477,795 |
| CA D 79,593 | US 5,607,280 | US 6,247,544 | US 6,484,818 |
| DE 896 11 846 | US 5,611,496 | US 6,289,997 | US 6,491,115 |
| DE 202 14 959.5 | US 5,657,803 | US 6,308,787 | US 6,487,296 |
| DE Des. 98 006 85.4 | US 5,659,985 | US 6,315,082 | US 6,511,260 |
| EP 772,543 | US 5,687,807 | US 6,332,502 | US 6,516,899 |
| EP 830,522 | US 5,692,548 | US 6,357,537 | US 6,517,733 |
| EP 885,343 | US 5,692,549 | US 6,360,830 | US 6,533,046 |
| EP 1,153,194 | US 5,704,142 | US 6,367,564 | US 6,533,052 |
| GB 2,053,636 | US 5,720,354 | US 6,374,928 | US 6,554,082 |
| HK 1015859 | US 5,746,278 | US 6,382,330 | US 6,557,651 |
| RU 2,158,852 | US 5,768,811 | US 6,389,360 | US 6,577,954 |
| US Des. 308,682 | US 5,778,991 | US 6,390,207 | US 6,585,062 |
| US Des. 396,837 | US 5,819,859 | US 6,408,952 | US 6,588,516 |
| US 4,848,423 | US 5,845,689 | US 6,408,954 | US 6,651,755 |
| US 5,205,181 | US 5,904,210 | US 6,412,715 | US 6,659,202 |
| US 5,219,380 | US 5,944,121 | US 6,422,495 | US 6,668,946 |
| US 5,237,888 | US 5,950,942 | US 6,435,286 | US 6,684,538 |
| US 5,291,864 | US 6,014,896 | US 6,439,319 | US 6,701,647 |
| US 5,509,220 | US 6,050,350 | US 6,446,365 | US 6,719,069 |
| US 5,544,055 | US 6,109,367 | US 6,446,889 | US 6,725,579 |
| US 5,553,407 | US 6,119,376 | US 6,454,025 | US 6,729,050 |
| US 5,556,253 | US 6,138,932 | US 6,470,976 | |
| US 5,574,642 | US 6,154,987 | US 6,474,931 | |
| US 5,588,474 | US 6,161,630 | US 6,474,932 | |

This product may be covered by one or more of the following licensed patents:
 US 4,894,913 US 4,867,255 US 5,148,880
 US 4,858,704 US 4,953,638 US 5,799,740
 (OTHER U.S. AND FOREIGN PATENTS PENDING)



NOTICE
 FILL OIL FILTER BEFORE
 INSULATION .
 70008-163

Notice • Avis • Hinweis • Avviso • Aviso •

If you purchased this product as used equipment, you can receive a FREE Operator's Manual by contacting:

Si vous avez acheté cet équipement d'occasion, vous pouvez recevoir un manuel de l'opérateur GRATUIT en composant le:

Wenn Sie diese Maschine gebraucht erworben haben, können Sie eine KOSTENLOSE Betriebsanleitung wie folgt anfordern:

Se si è comprata la presente macchina usata, si può ricevere una copia del manuale dell'operatore in OMAGGIO, contattando:

Si este producto que ha comprado es un equipo usado, puede recibir un manual del operador GRATUITO llamando al:

.

Vermeer Manufacturing Company
 ATTN: Customer Data Department
 1210 Vermeer Road East, PO BOX 200
 Pella, IA 50219 USA
 800-829-0051 or 641-628-3141
 Telephone: English speaking only
 Téléphone: en anglais uniquement
 Telefon: Nur in Englischer Sprache
 Telefono: tutte le comunicazioni saranno in Inglese
 Teléfono: en inglés solamente

.

OR by completing and mailing the Used Equipment Registration Form enclosed in the Operator's Manual.
 OU en remplissant et en envoyant le formulaire d'enregistrement de l'équipement d'occasion inclus dans le manuel de l'opérateur.
 ODER das in der Betriebsanleitung enthaltene Formular zur Registrierung gebrauchter Ausrüstung ausfüllen und einsenden.
 OPPURE compilando e spedendo il modulo di registrazione per macchinari usati, accluso al manuale dell'operatore.
 O rellenando y enviando por correo el impreso de registro de equipos usados incluido en el manual del operador.

VERMEER HY POWER

This hydraulic oil was installed at the factory. Refer to service manual for other equivalent oils.
 70008-084

OPERATE

TRANSPORT



**USE GRADE 2
 DIESEL FUEL
 OR BETTER**

70000-088



Decals - Domestic Fig 1-1x06r02

| REF. NO. | * | PART NO. | DESCRIPTION | QTY. | REMARKS |
|----------|---|---------------|--------------------------------|------|---|
| | | Revision Date | May, 2006 | | Update In Illustration. |
| 1 | | 7000B241 | DECAL - GREASE CHART | 1 | |
| 2 | | 2326940 | DECAL-NOTICE TO OWNERS | 1 | |
| 3 | | 7000B119 | DECAL - PATENT INDUSTRIAL | 1 | |
| 4 | | 7000B163 | DECAL - OIL FILTER | 1 | |
| 5 | | 70000394 | DECAL-VERMEER HY POWER | 1 | |
| 6 | | 7000B116 | DECAL - ROD LIMITER | 1 | |
| 7 | | 70000098 | DECAL-DIESEL (AT/UND) | 1 | |
| | | 901228100 | DECAL ASS'Y-D16X20A (DOMESTIC) | | Includes All Decal In Figure's 1-1x01 thru 1-1x06 |

Decals - Domestic Fig 1-1x06r01

GREASE CHART

7000B-241

| REFERENCE NUMBER | DESCRIPTION | NUMBER SHOTS | INTERVALS HOURS |
|------------------|------------------------------------|--------------|-----------------|
| 1. | GUIDE ROLLERS (4 PLACES) | 2 | 10 |
| 2. | CLAMP SLIDE (2 PLACES) | 2 | 10 |
| 3. | SEAT SWIVEL (3 PLACES) | 2 | 50 |
| 4. | SEAT PIVOT (2 PLACES) | 2 | 50 |
| 5. | THRUST CYLINDER ROLLERS (2 PLACES) | 2 | 50 |
| 6. | JOINT BREAK CYLINDER (2 PLACES) | 2 | 10 |
| 7. | LOWER THRUST ROLLER | 2 | 50 |
| 8. | TRACK IDLER ROLLERS (12 PLACES) | 2 | 50 |
| 9. | RACK PIVOT | 2 | 10 |
| 10. | UPPER THRUST ROLLER | 2 | 50 |
| 11. | ROD LOADER (2 PLACES) | 1 | 40 |

See operator's manual for detailed lubrication instructions.

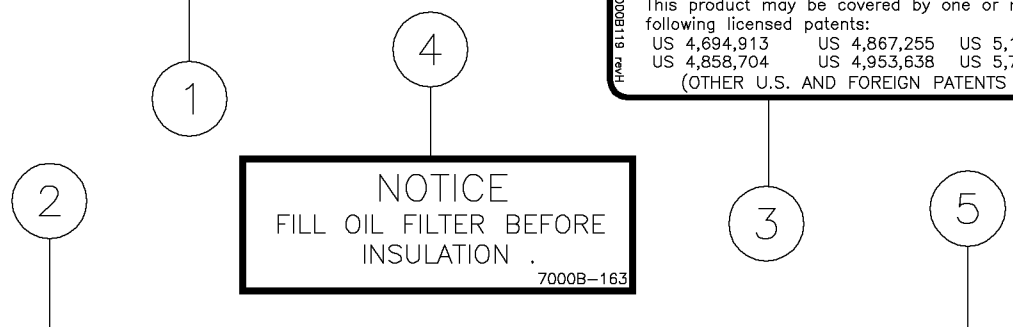
This product may be covered by one or more of the following patents:

| | | | |
|---------------------|--------------|--------------|--------------|
| AU 756,936 | US 5,590,041 | US 6,195,922 | US 6,477,795 |
| CA D 79,593 | US 5,607,280 | US 6,247,544 | US 6,484,818 |
| DE 696 11 846 | US 5,611,496 | US 6,289,997 | US 6,491,115 |
| DE 202 14 959.5 | US 5,657,803 | US 6,308,787 | US 6,497,296 |
| DE Des. 96 006 85.4 | US 5,659,985 | US 6,315,062 | US 6,511,260 |
| EP 772,543 | US 5,687,807 | US 6,332,502 | US 6,516,899 |
| EP 830,522 | US 5,692,548 | US 6,357,537 | US 6,517,733 |
| EP 885,343 | US 5,692,549 | US 6,360,830 | US 6,533,046 |
| EP 1,153,194 | US 5,704,142 | US 6,367,564 | US 6,533,052 |
| GB 2,053,636 | US 5,720,354 | US 6,374,928 | US 6,554,082 |
| HK 1015859 | US 5,746,278 | US 6,382,330 | US 6,557,651 |
| RU 2,158,952 | US 5,768,811 | US 6,389,360 | US 6,577,954 |
| US Des. 308,682 | US 5,778,991 | US 6,390,207 | US 6,585,062 |
| US Des. 396,837 | US 5,819,859 | US 6,408,952 | US 6,588,516 |
| US 4,848,423 | US 5,845,689 | US 6,408,954 | US 6,651,755 |
| US 5,205,181 | US 5,904,210 | US 6,412,715 | US 6,659,202 |
| US 5,219,380 | US 5,944,121 | US 6,422,495 | US 6,668,946 |
| US 5,237,888 | US 5,950,942 | US 6,435,286 | US 6,684,538 |
| US 5,291,964 | US 6,014,996 | US 6,439,319 | US 6,701,647 |
| US 5,509,220 | US 6,050,350 | US 6,446,365 | US 6,719,069 |
| US 5,544,055 | US 6,109,367 | US 6,446,889 | US 6,725,579 |
| US 5,553,407 | US 6,119,376 | US 6,454,025 | US 6,729,050 |
| US 5,556,253 | US 6,138,932 | US 6,470,976 | |
| US 5,574,642 | US 6,154,987 | US 6,474,931 | |
| US 5,588,474 | US 6,161,630 | US 6,474,932 | |

This product may be covered by one or more of the following licensed patents:

| | | |
|--------------|--------------|--------------|
| US 4,694,913 | US 4,867,255 | US 5,148,880 |
| US 4,858,704 | US 4,953,638 | US 5,799,740 |

(OTHER U.S. AND FOREIGN PATENTS PENDING)



NOTICE
 FILL OIL FILTER BEFORE
 INSULATION .
 7000B-163

Notice • Avis • Hinweis • Avviso • Aviso •

If you purchased this product as used equipment, you can receive a FREE Operator's Manual by contacting:

Si vous avez acheté cet équipement d'occasion, vous pouvez recevoir un manuel de l'opérateur GRATUIT en composant le:

Wenn Sie diese Maschine gebraucht erworben haben, können Sie eine KOSTENLOSE Betriebsanleitung wie folgt anfordern:

Se si comprata la presente macchina usata, si può ricevere una copia del manuale dell'operatore IN OMAGGIO, contattando:

Si este producto que ha comprado es un equipo usado, puede recibir un manual del operador GRATUITO llamando al:

.

Vermeer Manufacturing Company
 ATTN: Customer Data Department
 1210 Vermeer Road East, PO BOX 200
 Pella, IA 50219 USA
 800-829-0051 or 641-628-3141
 Telephone: English speaking only
 Téléphone: en anglais uniquement
 Telefon: Nur in Englischer Sprache
 Telefono: tutte le comunicazioni saranno in inglese
 Teléfono: en inglés solamente

.

OR by completing and mailing the Used Equipment Registration Form enclosed in the Operator's Manual.
 OU en remplissant et en envoyant le formulaire d'enregistrement de l'équipement d'occasion inclus dans le manuel de l'opérateur.
 ODER das in der Betriebsanleitung enthaltene Formular zur Registrierung gebrauchter Ausrüstung ausfüllen und einsenden.
 OPPURE compilando e spedendo il modulo di registrazione per macchinari usati, incluso al manuale dell'operatore.
 O rellenando y enviando por correo el impreso de registro de equipos usados incluido en el manual del operador.

VERMEER HY POWER

This hydraulic oil was installed at the factory.
 Refer to service manual for other equivalent oils
 7000B-394

OPERATE
 TRANSPORT
 7000B-116

**USE GRADE 2
 DIESEL FUEL
 OR BETTER**
 7000B-098

Decals - Domestic Fig 1-1x06r01

| REF. NO. | * | PART NO. | DESCRIPTION | QTY. | REMARKS |
|----------|---|---------------|--------------------------------|------|---|
| | | Revision Date | September, 2004 | | Update In Illustration & Parts List. |
| 1 | | 7000B241 | DECAL - GREASE CHART | 1 | |
| 2 | | 2326940 | DECAL-NOTICE TO OWNERS | 1 | |
| 3 | | 7000B119 | DECAL - PATENT INDUSTRIAL | 1 | |
| 4 | | 7000B163 | DECAL - OIL FILTER | 1 | |
| 5 | | 70000394 | DECAL-VERMEER HY POWER | 1 | |
| 6 | | 7000B116 | DECAL - ROD LIMITER | 1 | |
| 7 | | 70000098 | DECAL-DIESEL (AT/UND) | 1 | |
| | | 901228100 | DECAL ASS'Y-D16X20A (DOMESTIC) | | Includes All Decal In Figure's 1-1x01 thru 1-1x06 |

Decals - Domestic Fig 1-1x06

GREASE CHART

7000B-241

| REFERENCE NUMBER | DESCRIPTION | NUMBER SHOTS | INTERVALS HOURS |
|------------------|------------------------------------|--------------|-----------------|
| 1. | GUIDE ROLLERS (4 PLACES) | 2 | 10 |
| 2. | CLAMP SLIT (2 PLACES) | 2 | 10 |
| 3. | SEAT SWIVEL (3 PLACES) | 2 | 50 |
| 4. | SEAT PIVOT (2 PLACES) | 2 | 50 |
| 5. | THRUST CYLINDER ROLLERS (2 PLACES) | 2 | 50 |
| 6. | JOINT BREAK CYLINDER (2 PLACES) | 2 | 10 |
| 7. | LOWER THRUST ROLLER | 2 | 50 |
| 8. | TRACK IDLER ROLLERS (12 PLACES) | 2 | 50 |
| 9. | RACK PIVOT | 2 | 10 |
| 10. | UPPER THRUST ROLLER | 2 | 50 |
| 11. | ROD LOADER (2 PLACES) | 1 | 40 |

See operator's manual for detailed lubrication instructions.

2

1

NOTICE TO OWNER

You are requested to notify Vermeer Mfg. Co when you have purchased this machine.
Methods of Notification:

1. New machine owner: Ask your dealer to fill out and return your Limited Warranty Card.
2. Pre-owned machine owner: Send in Customer Data Card (located in operator's manual) or write Vermeer Mfg. Co. at Box 200, Pella, Iowa 50219 ATTN: Customer Data Dept. or call 1-800-829-0051 or (515) 628-3141.

An owner of a pre-owned machine will receive a free operator's manual if requested (1 per owner). A new machine owner will receive an operator's manual with the machine.

2326-940

This product may be covered by one or more of the following patents:

| | | | |
|---------------------|--------------|--------------|--------------|
| CA D 70,663 | US 5,219,380 | US 5,704,142 | US 6,247,544 |
| CC 95 814 404.5 | US 5,237,888 | US 5,720,354 | US 6,289,997 |
| CC 21.0606734.4 | US 5,291,964 | US 5,746,278 | US 6,290,155 |
| DE 894 11 846 | US 5,394,583 | US 5,768,811 | US 6,308,787 |
| DE Des. 86 006 88.4 | US 5,507,441 | US 5,778,991 | US 6,315,062 |
| EP 772,543 | US 5,509,220 | US 5,819,859 | US 6,332,502 |
| EP 885,343 | US 5,544,055 | US 5,845,689 | US 6,357,537 |
| GB 2,053,636 | US 5,553,407 | US 5,904,210 | US 6,360,830 |
| HK 1015859 | US 5,556,253 | US 5,941,320 | US 6,367,564 |
| RU 2,141,907 | US 5,574,642 | US 5,944,121 | US 6,374,928 |
| RU 2,158,952 | US 5,588,474 | US 5,950,942 | US 6,382,330 |
| RU 2,163,963 | US 5,590,041 | US 6,014,996 | US 6,389,360 |
| RU 2,175,368 | US 5,607,280 | US 6,050,350 | |
| US Des. 308,682 | US 5,611,496 | US 6,109,367 | |
| US Des. 396,837 | US 5,657,803 | US 6,119,376 | |
| US 4,848,423 | US 5,659,985 | US 6,138,932 | |
| US 5,074,063 | US 5,687,807 | US 6,154,987 | |
| US 5,088,532 | US 5,692,548 | US 6,161,630 | |
| US 5,205,181 | US 5,692,549 | US 6,195,922 | |

This product may be covered by one or more of the following licensed patents:

| | | |
|--------------|--------------|--------------|
| US 4,694,913 | US 4,867,255 | US 5,148,880 |
| US 4,858,704 | US 4,953,638 | US 5,799,740 |

(OTHER U.S. AND FOREIGN PATENTS PENDING)

NOTICE
FILL OIL FILTER BEFORE
INSULATION.

7000B-163

VERMEER HY POWER

This hydraulic oil was installed at the factory. Refer to service manual for other equivalent oils.

70000-884

3

4

OPERATE

TRANSPORT

7000-111

5

USE GRADE 2
DIESEL FUEL
OR BETTER

70000-098

7

6

Decals - Domestic Fig 1-1x06

| REF. NO. | * | PART NO. | DESCRIPTION | QTY. | REMARKS |
|----------|---|---------------|---------------------------------|------|--|
| | | Revision Date | July, 2002 | | Addition To Manual |
| 1 | | 7000B241 | DECAL-GREASE CHART | 1 | |
| 2 | | 2326940 | DECAL-NOTICE TO OWNERS | 1 | |
| 3 | | 7000B119 | DECAL-PATENT | 1 | |
| 4 | | 7000B163 | DECAL-OIL FILTER | 1 | |
| 5 | | 70000394 | DECAL-VERMEER HY POWER | 1 | |
| 6 | | 7000B116 | DECAL - ROD LIMITER | 1 | |
| 7 | | 70000098 | DECAL-DIESEL (AT/UND) | 1 | |
| | | | | | |
| | | 901228100 | DECAL ASSY-D16 X 20A (DOMESTIC) | | Includes All Decals In Figure's 1-1x01 Thru 1-1x06 |

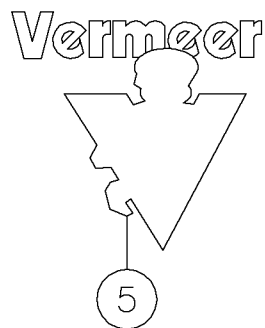
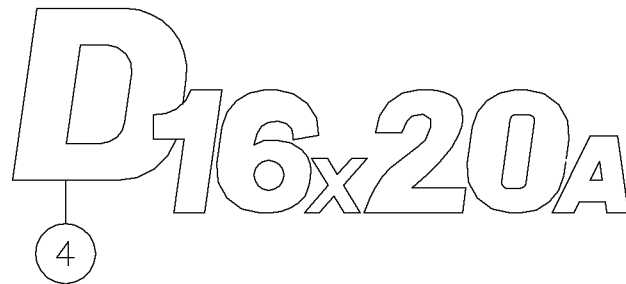
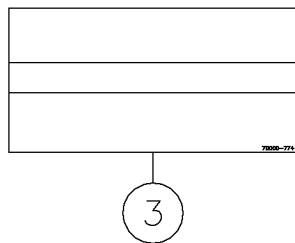
Decals - International Fig 1-2r07

FIGURE DELETED DUE TO UPDATE

Decals - International Fig 1-2r07

| REF. NO. | * | PART NO. | DESCRIPTION | QTY. | REMARKS |
|----------|---|---------------|--|------|---------------------|
| | | Revision Date | July, 2002 | | Deleted From Manual |
| | | | Replaced With Figures 1-2x01 Thru 1-2x06 | | |

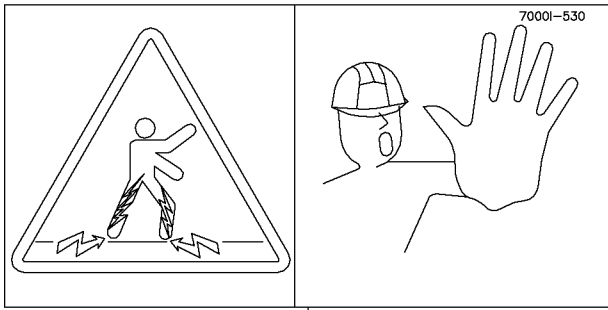
Decals - International Fig 1-2x01



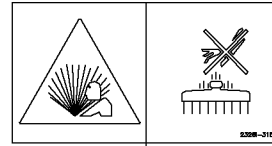
Decals - International Fig 1-2x01

| REF. NO. | * | PART NO. | DESCRIPTION | QTY. | REMARKS |
|----------|---|---------------|--|------|--|
| | | Revision Date | July, 2002 | | Addition To Manual |
| 1 | | 7000B059 | DECAL-MODEL VERMEER 6" | 1 | |
| 2 | | 70000614 | DECAL - NAVIGATOR 3 5/8 X 17 | 1 | |
| 3 | | 70000775 | DECAL 3"VERMEER STRIPE | A/R | P/N Qty Of 1 = 1 Foot, 5 1/2 Feet Required |
| 4 | | 7000B051 | DECAL-MODEL D16X20A | 1 | |
| 5 | | 70000784 | DECAL 5'VERMEER LOGO (2 REQD. SN101-370) | 1 | |
| | | | | | |
| | | 901228101 | DECAL ASS'Y-D16X20A (INTERNTL) | | Includes All Decals In Figure's 1-2x01 Thru 1-2x06 |

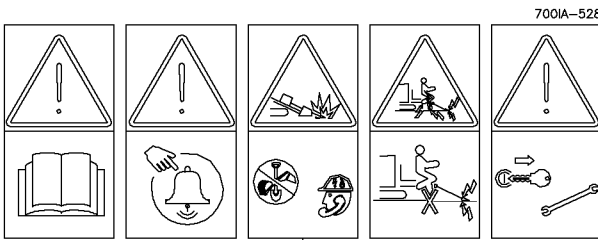
Decals - International Fig 1-2x02



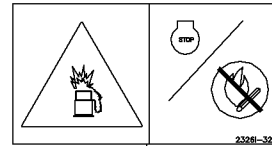
1



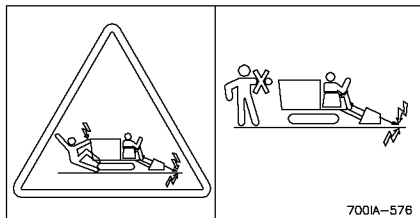
2



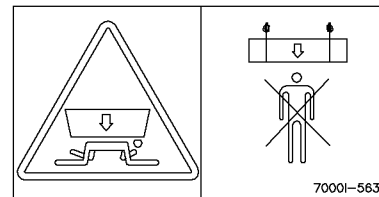
3



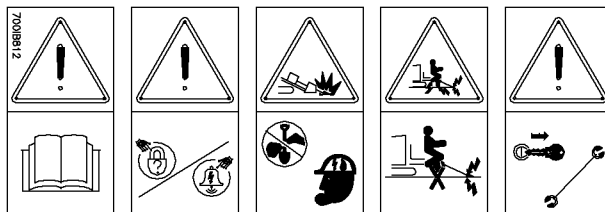
4



5



6

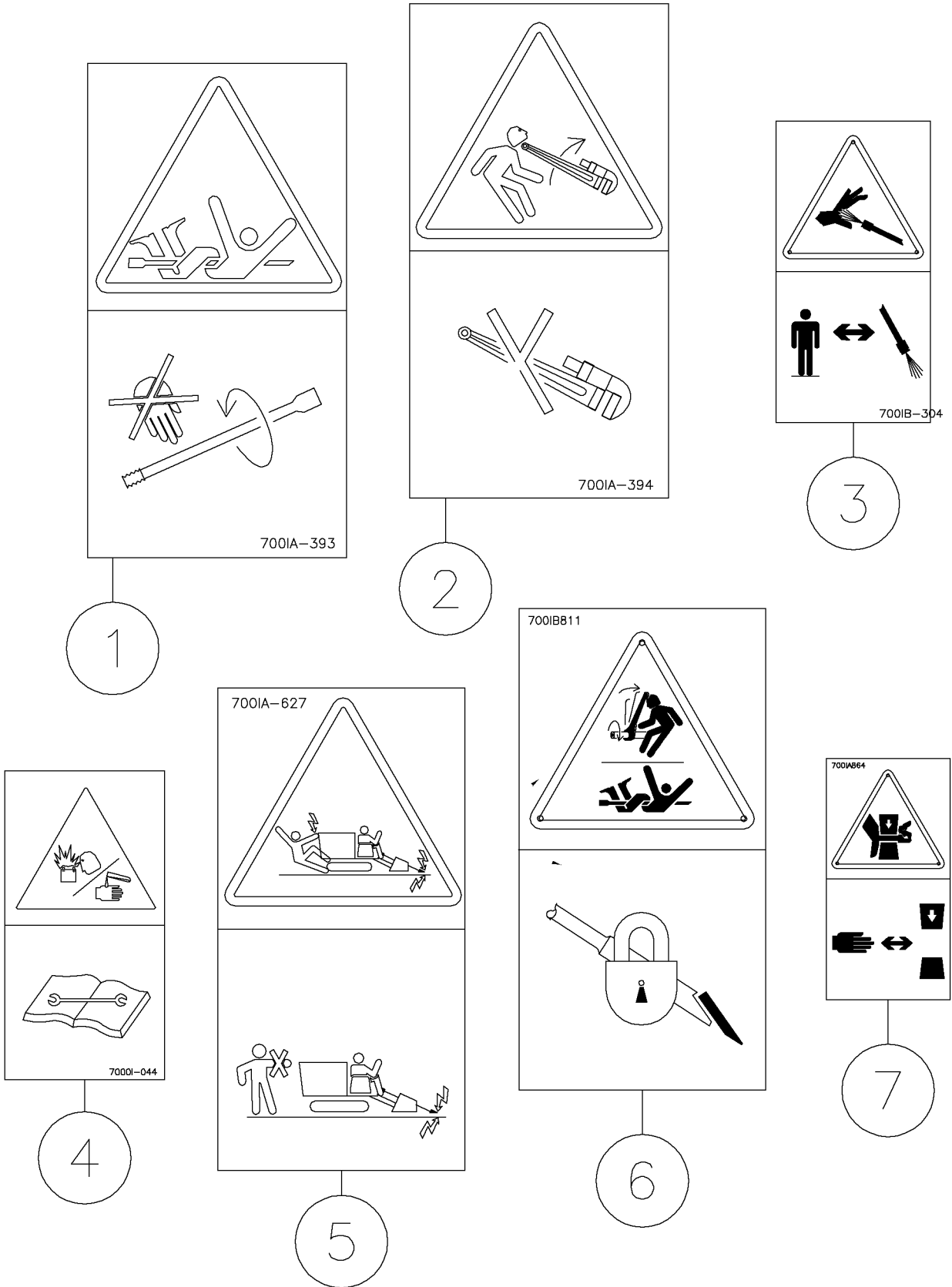


7

Decals - International Fig 1-2x02

| REF. NO. | * | PART NO. | DESCRIPTION | QTY. | REMARKS |
|----------|---|---------------|--------------------------------|------|--|
| | | Revision Date | July, 2002 | | Addition To Manual |
| 1 | | 7000I530 | DECAL-DANGER | 4 | |
| 2 | | 23261315 | DECAL-WARNING | 4 | |
| 3 | | 700IA528 | DECAL-WARNING | 1 | |
| 4 | | 23261324 | DECAL-WARNING | 1 | |
| 5 | | 700IA576 | DECAL-DANGER | 1 | |
| 6 | | 7000I563 | DECAL-WARNING (UND) | 2 | |
| 7 | | 700IB812 | DECAL - WARNING | 1 | |
| | | 901228101 | DECAL ASS'Y-D16X20A (INTERNTL) | | Includes All Decals In Figure's 1-2x01 Thru 1-2x06 |

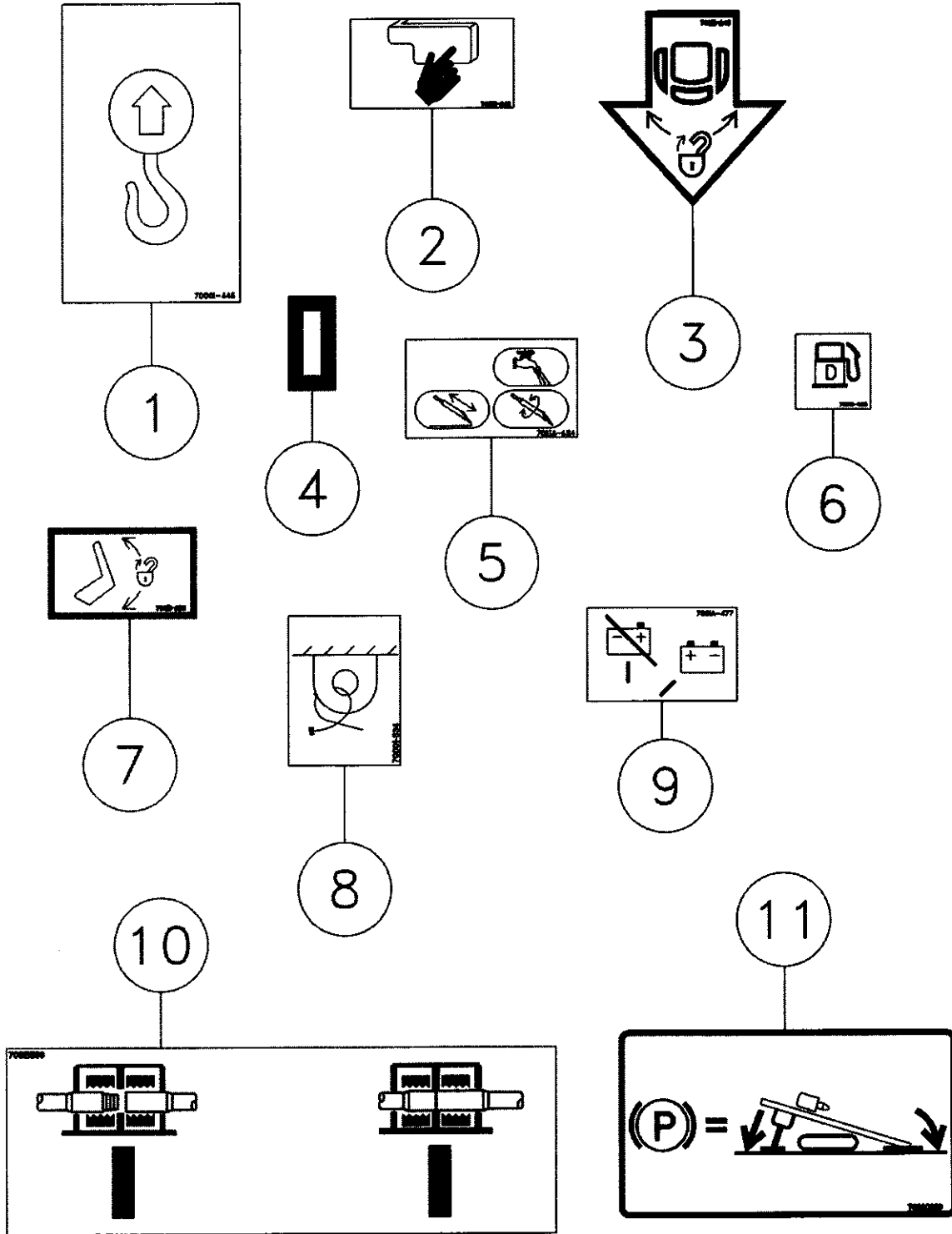
Decals - International Fig 1-2x03



Decals - International Fig 1-2x03

| REF. NO. | * | PART NO. | DESCRIPTION | QTY. | REMARKS |
|----------|---|---------------|---------------------------------------|------|---|
| | | Revision Date | July, 2002 | | Addition To Manual |
| 1 | | 700IA393 | DECAL - DANGER | 1 | |
| 2 | | 700IA394 | DECAL - WARNING | 1 | |
| 3 | | 700IB304 | DECAL - WARNING | 1 | |
| 4 | | 700IO44 | DECAL-WARNING | 1 | |
| 5 | | 700IA627 | DECAL-DANGER | 2 | |
| 6 | | 700IB811 | DECAL - DANGER - RLE INTERNATIONAL | 1 | |
| 7 | | 700IA864 | DECAL-WARNING INTERNATIONAL | 1 | |
| | | | | | |
| | | 901228101 | DECAL ASS'Y-D16X20A (INTERNTL) | | Includes All Decals In Figure's 1-2x01 Thru 1-2x06 |

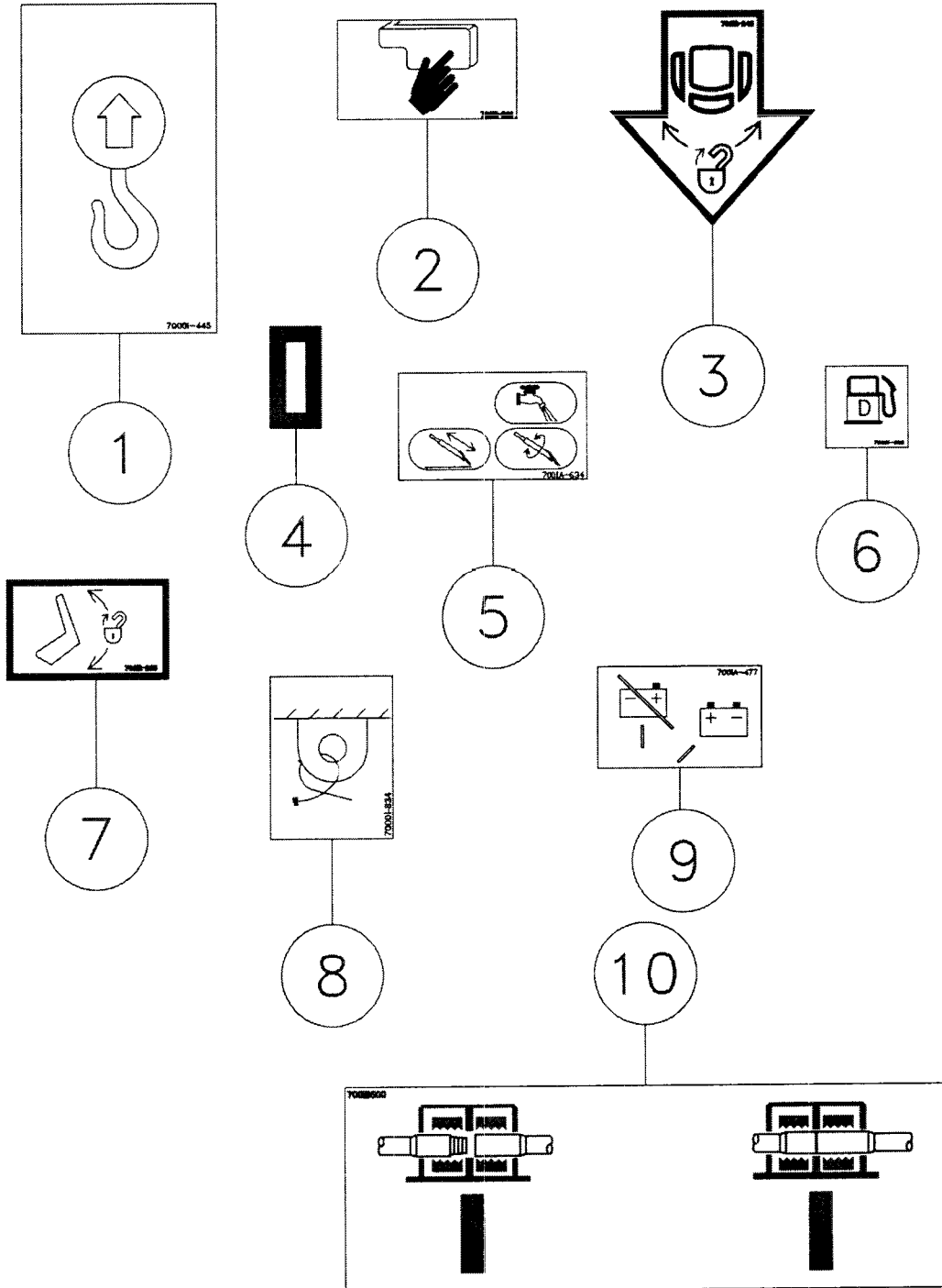
Decals - International Fig 1-2x04r01



Decals - International Fig 1-2x04r01

| REF. NO. | * | PART NO. | DESCRIPTION | QTY. | REMARKS |
|----------|---|---------------|--------------------------------|------|--|
| | | Revision Date | May, 2005 | | Update In Illustration & Parts List. |
| 1 | | 7000I445 | DECAL-LIFT POINT | 2 | |
| 2 | | 700IB246 | DECAL-PUSH | 1 | |
| 3 | | 7000B246 | DECAL-PUSH | 1 | |
| 4 | | 2326142 | DECAL-INDICATOR | .067 | P/N Qty Of 1 = 1 Each |
| 5 | | 700IA634 | DECAL-GAUGES | 1 | |
| 6 | | 7000I098 | DECAL-DIESEL FUEL | 1 | |
| 7 | | 700IB293 | DECAL-SEAT LOCK | 1 | S/N 462- |
| 8 | | 7000I834 | DECAL-TIE DOWN POINT | 7 | |
| 9 | | 700IA477 | DECAL-BATTERY SWITCH (UG) | 1 | |
| 10 | | 700IB500 | DECAL - ROD POSITIONER | 1 | |
| 11 | | 7000C339 | DECAL - PARKING | 1 | |
| | | | | | |
| | | 901228101 | DECAL ASS'Y-D16X20A (INTERNTL) | | Includes All Decals In Figure's 1-2x01 Thru 1-2x06 |

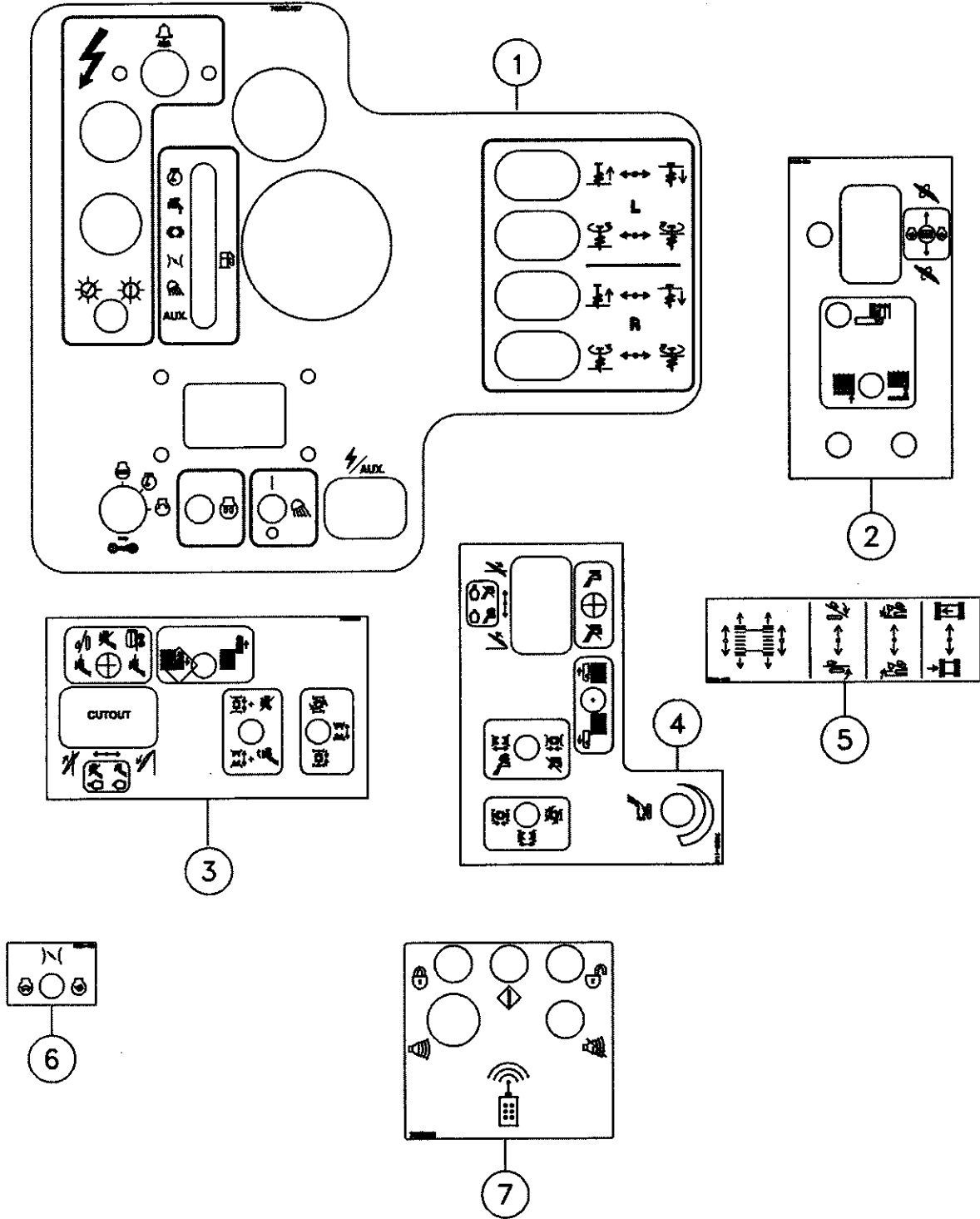
Decals - International Fig 1-2x04



Decals - International Fig 1-2x04

| REF. NO. | * | PART NO. | DESCRIPTION | QTY. | REMARKS |
|----------|---|---------------|--------------------------------|------|--|
| | | Revision Date | July, 2002 | | Addition To Manual |
| 1 | | 7000I445 | DECAL-LIFT POINT | 2 | |
| 2 | | 700IB246 | DECAL-PUSH | 1 | |
| 3 | | 7000B246 | DECAL-PUSH | 1 | |
| 4 | | 2326142 | DECAL-INDICATOR | .067 | P/N Qty Of 1 = 1 Each |
| 5 | | 700IA634 | DECAL-GAUGES | 1 | |
| 6 | | 7000I098 | DECAL-DIESEL FUEL | 1 | |
| 7 | | 700IB293 | DECAL-SEAT LOCK | 1 | S/N 462- |
| 8 | | 7000I834 | DECAL-TIE DOWN POINT | 7 | |
| 9 | | 700IA477 | DECAL-BATTERY SWITCH (UG) | 1 | |
| 10 | | 700IB500 | DECAL - ROD POSITIONER | 1 | |
| | | 901228101 | DECAL ASS'Y-D16X20A (INTERNTL) | | Includes All Decals In Figure's 1-2x01 Thru 1-2x06 |

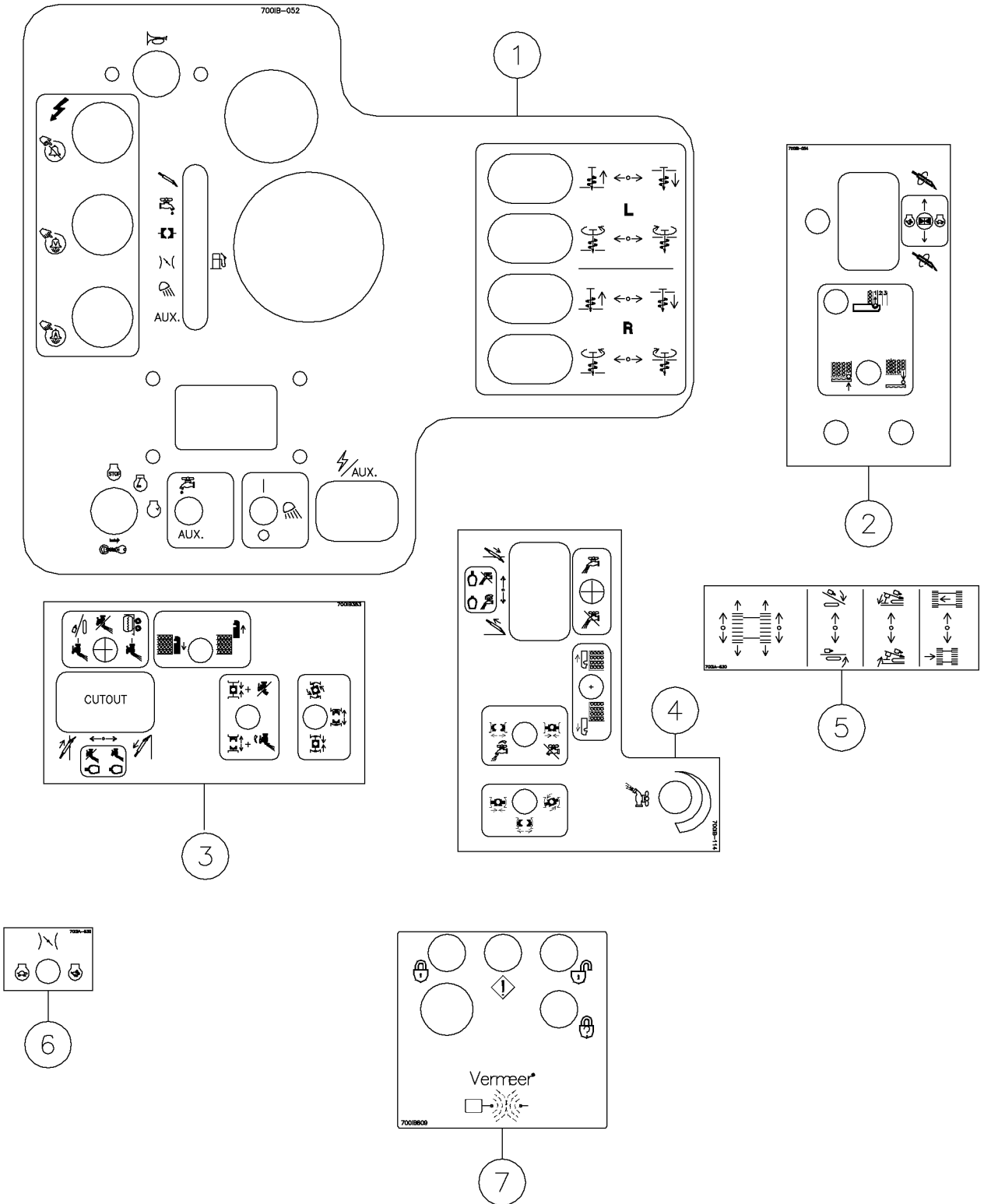
Decals - International Fig 1-2x05r01



Decals - International Fig 1-2x05r01

| REF. NO. | * | PART NO. | DESCRIPTION | QTY. | REMARKS |
|----------|---|---------------|------------------------------|------|---|
| | | Revision Date | May, 2006 | | Update In Illustration & Parts List. |
| 1 | | 700IB052 | DECAL - DASH | 1 | |
| | | 700IC497 | DECAL - DASH | 1 | S/N 1400- |
| 2 | | 700IB054 | DECAL - OPERATOR CONTROL (L) | 1 | |
| 3 | | 700IB383 | DECAL-OPER. CONTROL | 1 | S/N 780- |
| 4 | | 700IB114 | DECAL - OPER. CONTROL | 1 | S/N 101-799 |
| 5 | | 700IA630 | DECAL-CTL VALVES | 1 | |
| 6 | | 700IA639 | DECAL | 1 | |
| 7 | | 700IC569 | DECAL - REMOTE LOCKOUT | 1 | |
| | | | | | |
| | | 901228101 | DECAL ASS'Y-D16X20A | | (INTERNTL) Includes All Decals In Figure's 1-2x01 Thru 1-2x06 |

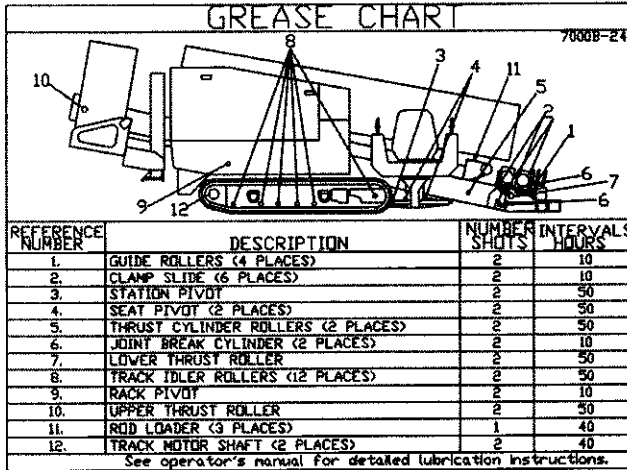
Decals - International Fig 1-2x05



Decals - International Fig 1-2x05

| REF. NO. | * | PART NO. | DESCRIPTION | QTY. | REMARKS |
|----------|---|---------------|--------------------------------|------|--|
| | | Revision Date | July, 2002 | | Addition To Manual |
| 1 | | 700IB052 | DECAL - DASH | 1 | |
| 2 | | 700IB054 | DECAL - OPERATOR CONTROL (L) | 1 | |
| 3 | | 700IB383 | DECAL-OPER. CONTROL | 1 | S/N 780- |
| 4 | | 700IB114 | DECAL - OPER. CONTROL | 1 | S/N 101-799 |
| 5 | | 700IA630 | DECAL-CTL VALVES | 1 | |
| 6 | | 700IA639 | DECAL | 1 | |
| 7 | | 700IB809 | DECAL - REMOTE LOCKOUT | 1 | |
| | | 901228101 | DECAL ASS'Y-D16X20A (INTERNTL) | | Includes All Decals In Figure's 1-2x01 Thru 1-2x06 |

Decals - International Fig 1-2x06r02



This product may be covered by one or more of the following patents:

| | | | |
|---------------------|--------------|--------------|--------------|
| AU 756,936 | US 5,590,041 | US 6,195,922 | US 6,477,795 |
| CA D 79,593 | US 5,607,280 | US 6,247,544 | US 6,484,818 |
| DE 696 11 848 | US 5,611,496 | US 6,289,997 | US 6,491,115 |
| DE 202 14 959.5U | 5,657,803 | US 6,308,787 | US 6,497,296 |
| DE Des. 96 006 85.4 | US 5,659,985 | US 6,315,062 | US 6,511,280 |
| EP 772,543 | US 5,687,807 | US 6,332,502 | US 6,516,899 |
| EP 830,522 | US 5,692,548 | US 6,357,537 | US 6,517,733 |
| EP 885,343 | US 5,692,549 | US 6,360,830 | US 6,533,046 |
| EP 1,153,194 | US 5,704,142 | US 6,367,564 | US 6,533,052 |
| GB 2,053,636 | US 5,720,354 | US 6,374,928 | US 6,554,082 |
| HK 1015859 | US 5,746,278 | US 6,382,330 | US 6,557,651 |
| RU 2,158,952 | US 5,768,811 | US 6,389,360 | US 6,577,954 |
| US Des. 308,682 | US 5,778,991 | US 6,390,207 | US 6,585,062 |
| US Des. 396,837 | US 5,819,859 | US 6,408,952 | US 6,588,516 |
| US 4,848,423 | US 5,845,689 | US 6,408,954 | US 6,651,753 |
| US 5,205,181 | US 5,904,210 | US 6,412,715 | US 6,659,202 |
| US 5,219,380 | US 5,944,121 | US 6,422,495 | US 6,688,946 |
| US 5,237,888 | US 5,950,942 | US 6,435,286 | US 6,684,538 |
| US 5,291,964 | US 6,014,996 | US 6,439,319 | US 6,701,647 |
| US 5,509,220 | US 6,050,350 | US 6,446,365 | US 6,719,069 |
| US 5,544,055 | US 6,109,367 | US 6,446,889 | US 6,725,579 |
| US 5,553,407 | US 6,119,376 | US 6,454,025 | US 6,729,050 |
| US 5,558,253 | US 6,138,932 | US 6,470,976 | |
| US 5,574,642 | US 6,154,987 | US 6,474,931 | |
| US 5,588,474 | US 6,161,630 | US 6,474,932 | |

This product may be covered by one or more of the following licensed patents:

| | | |
|--------------|--------------|--------------|
| US 4,694,913 | US 4,867,255 | US 5,148,880 |
| US 4,858,704 | US 4,953,638 | US 5,799,740 |

(OTHER U.S. AND FOREIGN PATENTS PENDING)



VERMEER HY POWER
 This hydraulic oil was installed at the factory.
 Refer to service manual for other equivalent oils
 70000-284

NOTICE
FILL OIL FILTER BEFORE INSULATION.
 7000B-163

Notice • Avis • Hinweis • Avviso • Aviso •

If you purchased this product as used equipment, you can receive a FREE Operator's Manual by contacting:

Si vous avez acheté cet équipement d'occasion, vous pouvez recevoir un manuel de l'opérateur GRATUIT en composant le:

Wenn Sie diese Maschine gebraucht erworben haben, können Sie eine KOSTENLOSE Betriebsanleitung wie folgt anfordern:

Se si à comprato la presente macchina usata, si può ricevere una copia del manuale dell'operatore IN OMAGGIO, contattando:

Si este producto que ha comprado es un equipo usado, puede recibir un manual del operador GRATUITO llamando al:

* * * * *

Vermeer Manufacturing Company
 ATTN: Customer Data Department
 1210 Vermeer Road East, PO BOX 200
 Pella, IA 50219 USA
 800-829-0051 or 641-628-3141
 Telephone: English speaking only
 Téléphone: en anglais uniquement
 Telefon: Nur in Englischer Sprache
 Telefono: tutte le comunicazioni saranno in inglese
 Teléfono: en inglés solamente

* * * * *

OR by completing and mailing the Used Equipment Registration Form enclosed in the Operator's Manual.
 OU en remplissant et en envoyant le formulaire d'enregistrement de l'équipement d'occasion inclus dans le manuel de l'opérateur.
 ODER das in der Betriebsanleitung enthaltene Formular zur Registrierung gebrauchter Ausrüstung ausfüllen und einsenden.
 OPPURE compilando e spedendo il modulo di registrazione per macchinari usati, accluso al manuale dell'operatore.
 O rellenando y enviando por correo el impreso de registro de equipos usados incluido en el manual del operador.

Decals - International Fig 1-2x06r02

| REF. NO. | * | PART NO. | DESCRIPTION | QTY. | REMARKS |
|----------|---|---------------|--------------------------------|------|---|
| | | Revision Date | May, 2006 | | Update In Illustration. |
| 1 | | 7000B241 | DECAL - GREASE CHART | 1 | |
| 2 | | 70000394 | DECAL-VERMEER HY POWER | 1 | |
| 3 | | 2326940 | DECAL-NOTICE TO OWNERS | 1 | |
| 4 | | 7000B119 | DECAL - PATENT INDUSTRIAL | 1 | |
| 5 | | 7000B163 | DECAL - OIL FILTER | 1 | |
| | | | | | |
| | | 901228101 | DECAL ASS'Y-D16X20A (INTERNTL) | | Includes All Decal In Figure's 1-2x01 thru 1-2x06 |

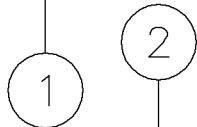
Decals - International Fig 1-2x06r01

| GREASE CHART | | | |
|------------------|------------------------------------|--------------|-----------------|
| REFERENCE NUMBER | DESCRIPTION | NUMBER SHOTS | INTERVALS HOURS |
| 1. | GUIDE ROLLERS (4 PLACES) | 2 | 10 |
| 2. | CLAMP SLIDE (2 PLACES) | 2 | 10 |
| 3. | SEAT SWIVEL (3 PLACES) | 2 | 50 |
| 4. | SEAT PIVOT (2 PLACES) | 2 | 50 |
| 5. | THRUST CYLINDER ROLLERS (2 PLACES) | 2 | 50 |
| 6. | JOINT BREAK CYLINDER (2 PLACES) | 2 | 10 |
| 7. | LOWER THRUST ROLLER | 2 | 50 |
| 8. | TRACK IDLER ROLLERS (12 PLACES) | 2 | 50 |
| 9. | RACK PIVOT | 2 | 10 |
| 10. | UPPER THRUST ROLLER | 2 | 50 |
| 11. | ROD LOADER (2 PLACES) | 1 | 40 |

See operator's manual for detailed lubrication instructions.

This product may be covered by one or more of the following patents:

| | | | |
|---------------------|--------------|--------------|--------------|
| AU 756,936 | US 5,590,041 | US 6,195,922 | US 6,477,795 |
| CA D 79,593 | US 5,607,280 | US 6,247,544 | US 6,484,818 |
| DE 696 11 846 | US 5,611,496 | US 6,289,997 | US 6,491,115 |
| DE 202 14 959.5 | US 5,657,803 | US 6,308,787 | US 6,497,296 |
| DE Des. 96 006 85.4 | US 5,659,985 | US 6,315,062 | US 6,511,260 |
| EP 772,543 | US 5,687,807 | US 6,332,502 | US 6,516,899 |
| EP 830,522 | US 5,692,548 | US 6,357,537 | US 6,517,733 |
| EP 885,343 | US 5,692,549 | US 6,360,830 | US 6,533,046 |
| EP 1,153,194 | US 5,704,142 | US 6,367,564 | US 6,533,052 |
| GB 2,053,636 | US 5,720,354 | US 6,374,928 | US 6,554,082 |
| HK 1015859 | US 5,746,278 | US 6,382,330 | US 6,557,651 |
| RU 2,158,952 | US 5,768,811 | US 6,389,360 | US 6,577,954 |
| US Des. 308,682 | US 5,778,991 | US 6,390,207 | US 6,585,062 |
| US Des. 396,837 | US 5,819,859 | US 6,408,952 | US 6,588,516 |
| US 4,848,423 | US 5,845,689 | US 6,408,954 | US 6,651,755 |
| US 5,205,181 | US 5,904,210 | US 6,412,715 | US 6,659,202 |
| US 5,219,380 | US 5,944,121 | US 6,422,495 | US 6,668,946 |
| US 5,237,888 | US 5,950,942 | US 6,435,286 | US 6,684,538 |
| US 5,291,964 | US 6,014,996 | US 6,439,319 | US 6,701,647 |
| US 5,509,220 | US 6,050,350 | US 6,446,365 | US 6,719,069 |
| US 5,544,055 | US 6,109,367 | US 6,446,889 | US 6,725,579 |
| US 5,553,407 | US 6,119,376 | US 6,454,025 | US 6,729,050 |
| US 5,556,253 | US 6,138,932 | US 6,470,976 | |
| US 5,574,642 | US 6,154,987 | US 6,474,931 | |
| US 5,588,474 | US 6,161,630 | US 6,474,932 | |



VERMEER HY POWER
 This hydraulic oil was installed at the factory.
 Refer to service manual for other equivalent oils
 70000-394



This product may be covered by one or more of the following licensed patents:

| | | |
|--------------|--------------|--------------|
| US 4,694,913 | US 4,867,255 | US 5,148,880 |
| US 4,858,704 | US 4,953,638 | US 5,799,740 |

(OTHER U.S. AND FOREIGN PATENTS PENDING)

Notice • Avis • Hinweis • Avviso • Aviso •

If you purchased this product as used equipment, you can receive a FREE Operator's Manual by contacting:

Si vous avez acheté cet équipement d'occasion, vous pouvez recevoir un manuel de l'opérateur GRATUIT en composant le:

Wenn Sie diese Maschine gebraucht erworben haben, können Sie eine KOSTENLOSE Betriebsanleitung wie folgt anfordern:

Se si comprata la presente macchina usata, si può ricevere una copia del manuale dell'operatore IN OMAGGIO, contattando:

Si este producto que ha comprado es un equipo usado, puede recibir un manual del operador GRATUITO llamando al:

• • • • •

Vermeer Manufacturing Company
 ATTN: Customer Data Department
 1210 Vermeer Road East, PO BOX 200
 Pella, IA 50219 USA
 800-829-0051 or 641-628-3141
 Telephone: English speaking only
 Téléphone: en anglais uniquement
 Telefon: Nur in Englischer Sprache
 Telefono: tutte le comunicazioni saranno in inglese
 Teléfono: en inglés solamente

• • • • •

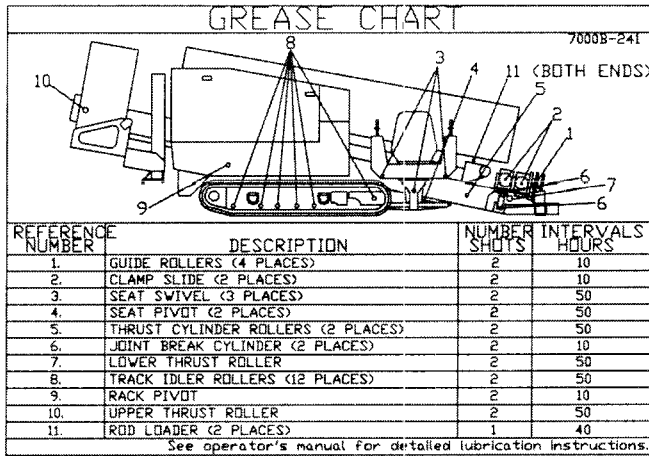
OR by completing and mailing the Used Equipment Registration Form enclosed in the Operator's Manual.
 OU en remplissant et en envoyant le formulaire d'enregistrement de l'équipement d'occasion inclus dans le manuel de l'opérateur.
 ODER das in der Betriebsanleitung enthaltene Formular zur Registrierung gebrauchter Ausrüstung ausfüllen und einsenden.
 OPPURE compilando e spedendo il modulo di registrazione per macchinari usati, incluso al manuale dell'operatore.
 O rellenando y enviando por correo el impreso de registro de equipos usados incluido en el manual del operador.

NOTICE
 FILL OIL FILTER BEFORE
 INSULATION .
 7000B-163

Decals - International Fig 1-2x06r01

| REF. NO. | * | PART NO. | DESCRIPTION | QTY. | REMARKS |
|----------|---|---------------|--------------------------------|------|---|
| | | Revision Date | September, 2004 | | Update In Illustration & Parts List. |
| 1 | | 7000B241 | DECAL - GREASE CHART | 1 | |
| 2 | | 70000394 | DECAL-VERMEER HY POWER | 1 | |
| 3 | | 2326940 | DECAL-NOTICE TO OWNERS | 1 | |
| 4 | | 7000B119 | DECAL - PATENT INDUSTRIAL | 1 | |
| 5 | | 7000B163 | DECAL - OIL FILTER | 1 | |
| | | | | | |
| | | 901228101 | DECAL ASS'Y-D16X20A (INTERNTL) | | Includes All Decal In Figure's 1-2x01 thru 1-2x06 |

Decals - International Fig 1-2x06



1

VERMEER HY POWER
 This hydraulic oil was installed at the factory.
 Refer to service manual for other equivalent oils.
 7000B-384

2

NOTICE TO OWNER

You are requested to notify Vermeer Mfg. Co when you have purchased this machine.
 Methods of Notification:

1. New machine owner: Ask your dealer to fill out and return your Limited Warranty Card.
2. Pre-owned machine owner: Send in Customer Data Card (located in operator's manual) or write Vermeer Mfg. Co. at Box 200, Pella, Iowa 50219 ATTN: Customer Data Dept. or call 1-800-829-0051 or (515) 628-3141.

An owner of a pre-owned machine will receive a free operator's manual if requested (1 per owner). A new machine owner will receive an operator's manual with the machine.

2326-940

3

This product may be covered by one or more of the following patents:

| | | | |
|---------------------|--------------|--------------|--------------|
| CA D 76,883 | US 5,219,380 | US 5,704,142 | US 6,247,544 |
| CC 05 914 404.6 | US 5,237,888 | US 5,720,354 | US 6,289,997 |
| CC ZL86106734.4 | US 5,291,964 | US 5,746,278 | US 6,290,155 |
| DE 698 11 846 | US 5,394,583 | US 5,768,811 | US 6,308,787 |
| DE Des. 96 008 88.4 | US 5,507,441 | US 5,778,991 | US 6,315,062 |
| EP 772,543 | US 5,509,220 | US 5,819,859 | US 6,332,502 |
| EP 885,343 | US 5,544,055 | US 5,845,689 | US 6,357,537 |
| GB 2,053,636 | US 5,553,407 | US 5,904,210 | US 6,360,830 |
| HK 1015859 | US 5,556,253 | US 5,941,320 | US 6,367,564 |
| RU 2,141,907 | US 5,574,642 | US 5,944,121 | US 6,374,928 |
| RU 2,158,952 | US 5,588,474 | US 5,950,942 | US 6,382,330 |
| RU 2,163,963 | US 5,590,041 | US 6,014,996 | US 6,389,360 |
| RU 2,175,368 | US 5,607,280 | US 6,050,350 | |
| US Des. 308,682 | US 5,611,496 | US 6,109,367 | |
| US Des. 396,837 | US 5,657,803 | US 6,119,376 | |
| US 4,848,423 | US 5,659,985 | US 6,138,932 | |
| US 5,074,063 | US 5,687,807 | US 6,154,987 | |
| US 5,088,532 | US 5,692,548 | US 6,161,630 | |
| US 5,205,181 | US 5,692,549 | US 6,195,922 | |

This product may be covered by one or more of the following licensed patents:

| | | |
|--------------|--------------|--------------|
| US 4,694,913 | US 4,867,255 | US 5,148,880 |
| US 4,858,704 | US 4,953,638 | US 5,799,740 |

(OTHER U.S. AND FOREIGN PATENTS PENDING)

4

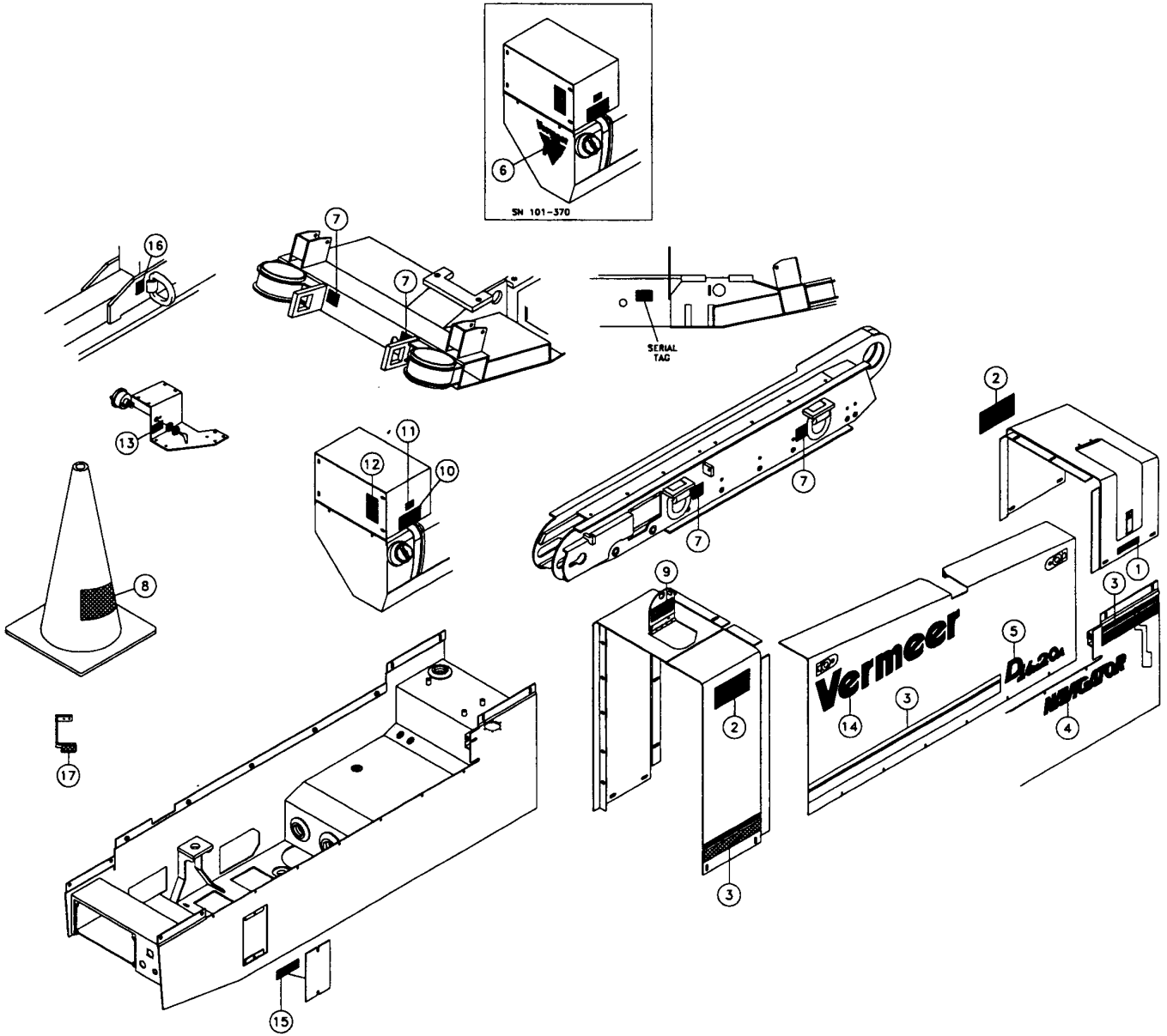
NOTICE
 FILL OIL FILTER BEFORE INSULATION.
 7000B-163

5

Decals - International Fig 1-2x06

| REF. NO. | * | PART NO. | DESCRIPTION | QTY. | REMARKS |
|----------|---|---------------|--------------------------------|------|--|
| | | Revision Date | October, 2000 | | |
| 1 | | 7000B241 | DECAL - GREASE CHART | 1 | |
| 2 | | 70000394 | DECAL-VERMEER HY POWER | 1 | |
| 3 | | 2326940 | DECAL-NOTICE TO OWNERS | 1 | |
| 4 | | 7000B119 | DECAL - PATENT INDUSTRIAL | 1 | |
| 5 | | 7000B163 | DECAL - OIL FILTER | 1 | |
| | | | | | |
| | | 901228101 | DECAL ASS'Y-D16X20A (INTERNTL) | | Includes All Decals In Figure's 1-2x01 Thru 1-2x06 |

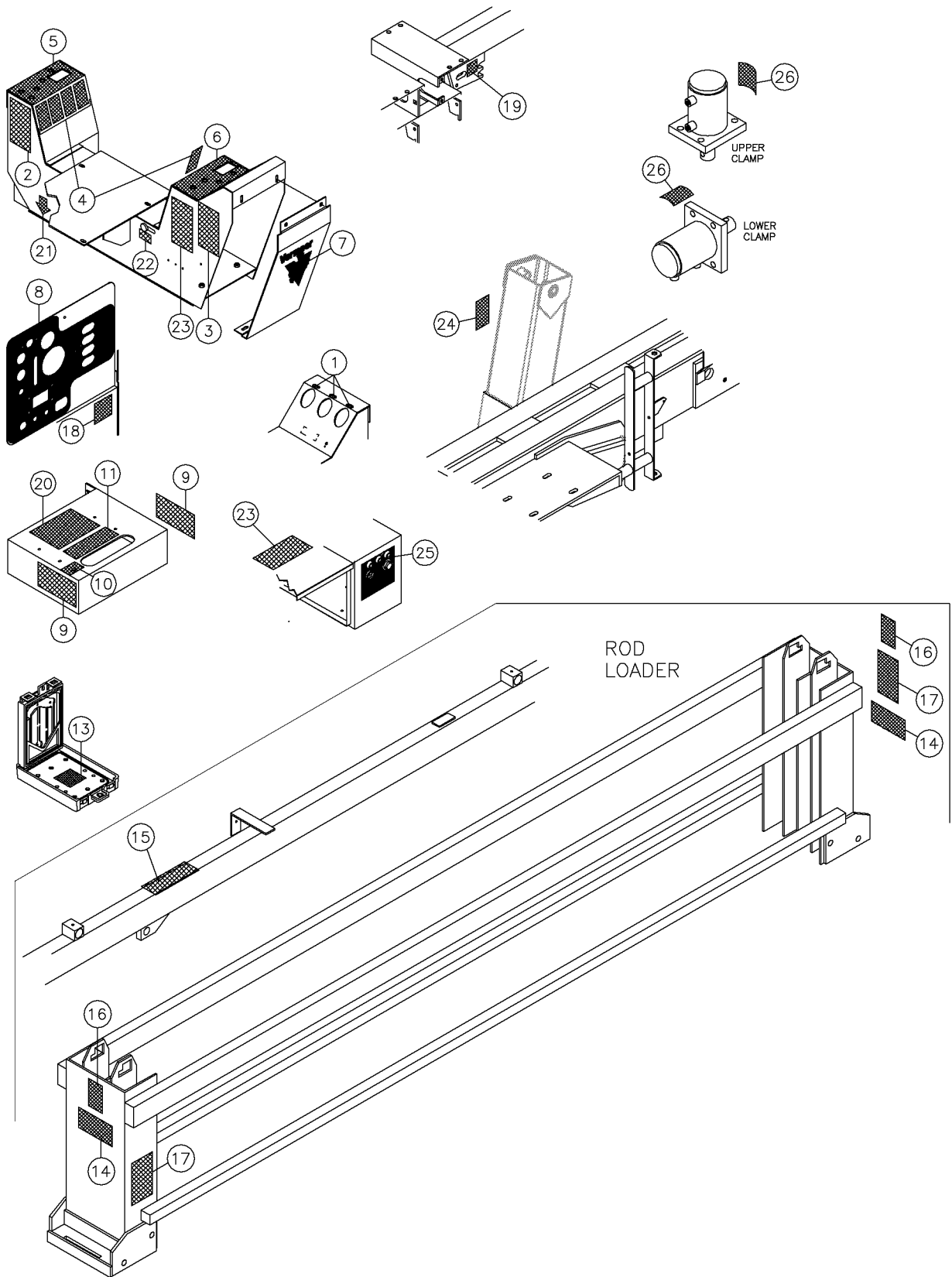
Decal Locations Fig 1-3r05



Decal Locations Fig 1-3r05

| REF. NO. | * | PART NO. | DESCRIPTION | QTY. | REMARKS |
|----------|---|---------------|----------------------------|------|--|
| | | Revision Date | January, 2000 | | |
| 1 | | 70000394 | DECAL-VERMEER HY POWER | 1 | |
| 2 | | 7000A576 | DECAL-DANGER | 2 | |
| | | 700IA576 | DECAL-DANGER | 2 | |
| 3 | | 70000775 | DECAL 3" VERMEER STRIPE | A/R | P/N Qty Of 1 = 1 Foot, 5 1/2 Feet Required |
| 4 | | 70000614 | DECAL-NAVIGATOR 3 5/8 X 17 | 1 | |
| 5 | | 7000B051 | DECAL-MODEL D16 X 20A | 1 | |
| 6 | | 70000784 | *DECAL 6" VERMEER LOGO | 1 | S/N 101-370 |
| 7 | | 70000834 | DECAL-TIE DOWN POINT | 7 | Replaced W/7000I834 |
| 8 | | 70000530 | DECAL-DANGER | 4 | International |
| | | 7000I530 | DECAL-DANGER | 4 | Domestic |
| 9 | | 2326315 | DECAL-WARNING | 1 | Domestic |
| | | 2326I315 | DECAL-WARNING | 1 | International |
| 10 | | 2326324 | DECAL-WARNING/REFUEL | 1 | Domestic |
| | | 2326I324 | DECAL-WARNING | 1 | International |
| 11 | | 70000098 | DECAL-DIESEL (AT/UND) | 1 | Domestic |
| | | 7000I098 | DECAL-DIESEL FUEL | 1 | International |
| 12 | | 70000044 | DECAL-WARNING (AT/UND) | 1 | Domestic |
| | | 7000I044 | DECAL-WARNING | 1 | International |
| 13 | | 700IA477 | DECAL-BATTERY SWITCH (UG) | 1 | |
| 14 | | 7000B059 | DECAL-MODEL VERMEER 6" | 1 | |
| 15 | | 7000B163 | DECAL-OIL FILTER | 1 | |
| 16 | | 7000I834 | DECAL-TIE DOWN POINT | 7 | |
| 17 | | 7000B246 | DECAL-PUSH | 1 | Domestic |
| | | 700IB246 | DECAL-PUSH | 1 | International |

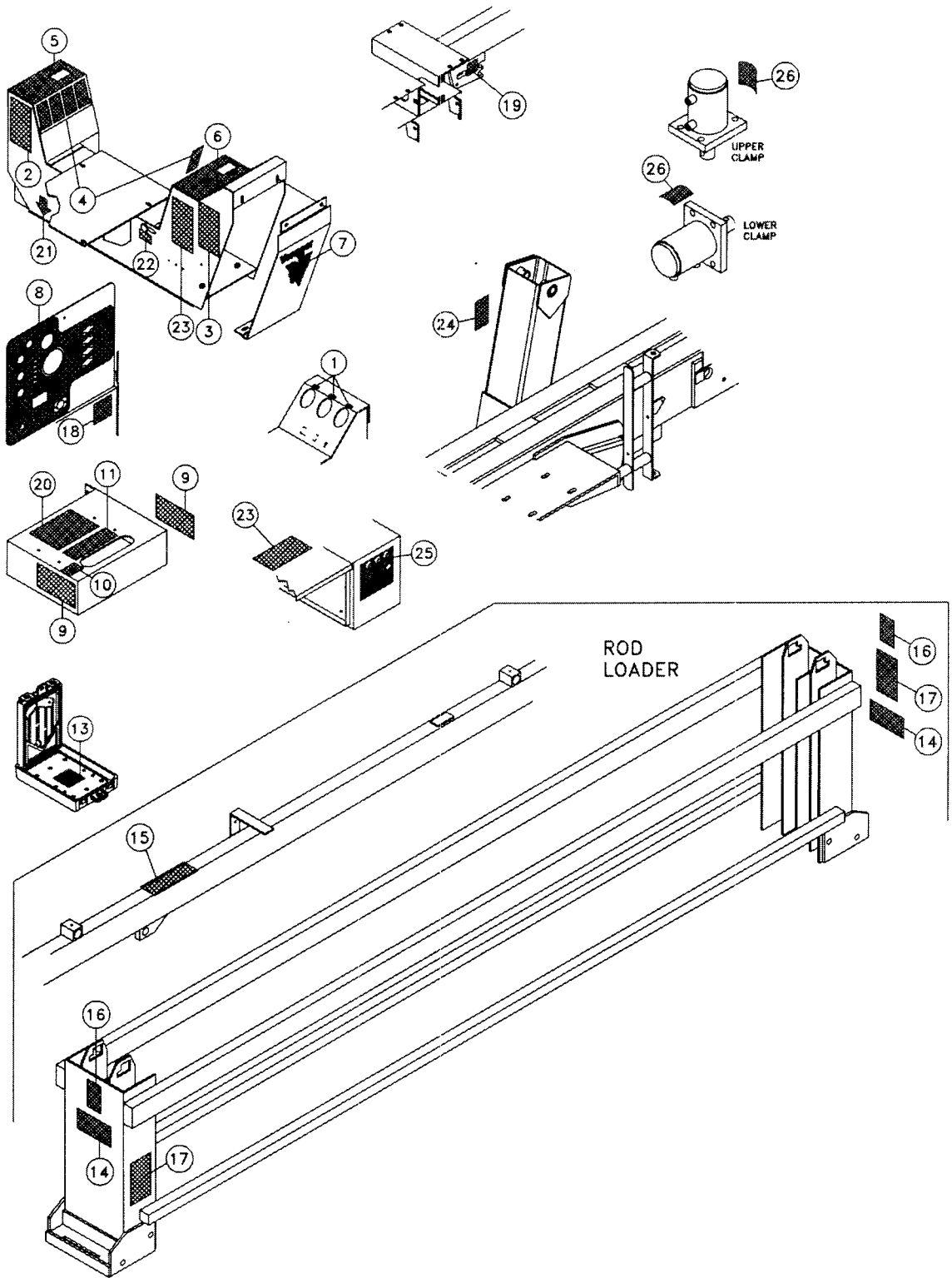
Decal Locations Fig 1-4r06



Decal Locations Fig 1-4r06

| REF. NO. | * | PART NO. | DESCRIPTION | QTY. | REMARKS |
|----------|---|---------------|------------------------------------|------|--------------------------------------|
| | | Revision Date | May, 2006 | | Update In Illustration & Parts List. |
| 1 | | 700IA634 | DECAL-GAUGES | 1 | |
| 2 | | 7000A393 | DECAL-DANGER | 1 | |
| | | 700IA393 | DECAL-DANGER | 1 | |
| 3 | | 7000A394 | DECAL-WARNING | 1 | |
| | | 700IA394 | DECAL-WARNING | 1 | |
| 4 | | 7000A812 | DECAL-WARNING | 1 | |
| | | 700IA812 | DECAL-WARNING | 1 | |
| 5 | | 700IB054 | DECAL - OPERATOR CONTROL | 1 | (L) |
| 6 | | 700IB114 | DECAL-OPERATOR CONTROL | 1 | |
| 7 | | 70000784 | DECAL 6 "VERMEER LOGO | 1 | |
| 8 | * | 700IC497 | DECAL-DASH | 1 | PN Change |
| 9 | | 7000A576 | DECAL-DANGER | 2 | |
| | | 700IA576 | DECAL-DANGER | 2 | |
| 10 | | 700IA639 | DECAL | 1 | |
| 11 | | 700IA630 | DECAL-CTL VALVES | 1 | |
| 12 | | 7000A797 | DECAL-GREASE CHART | 1 | (REPLACED BY 7000B-241) |
| 13 | | 2326940 | DECAL-NOTICE TO OWNERS | 1 | |
| 14 | | 70000563 | DECAL-WARNING (UND) | 2 | |
| | | 7000I563 | DECAL-WARNING (UND) | 2 | |
| 15 | | 700IB500 | DECAL - ROD POSITIONER | .067 | P/N Qty Of 1 = 1 Each |
| 16 | | 7000I445 | DECAL-LIFT POINT | 2 | |
| 17 | | 7000A627 | DECAL-DANGER | 2 | |
| 18 | | 7000B119 | DECAL-PATENT | 1 | |
| 19 | | 7000B116 | DECAL-ROD LIMITER | 1 | |
| 20 | | 7000B241 | DECAL-GREASE CHART | 1 | |
| 21 | | 700IB248 | DECAL-PUSH | 1 | |
| 22 | | 700IB293 | DECAL-SEAT LODK | 1 | S/N 462- |
| 23 | | 7000B811 | DECAL - DANGER - RLE - DOMESTIC | 2 | |
| | | 700IB811 | DECAL - DANGER - RLE INTERNATIONAL | 2 | International |
| 24 | | 7000B304 | DECAL - WARNING | 1 | |
| | | 700IB304 | DECAL - WARNING | 1 | International |
| 25 | | 700IC569 | DECAL - REMOTE LOCKOUT | 1 | |
| 26 | | 7000A864 | DECAL-WARNING DOMESTIC | 2 | |
| | | 700IA864 | DECAL-WARNING INTERNATIONAL | 2 | International fig 1-4r05 |

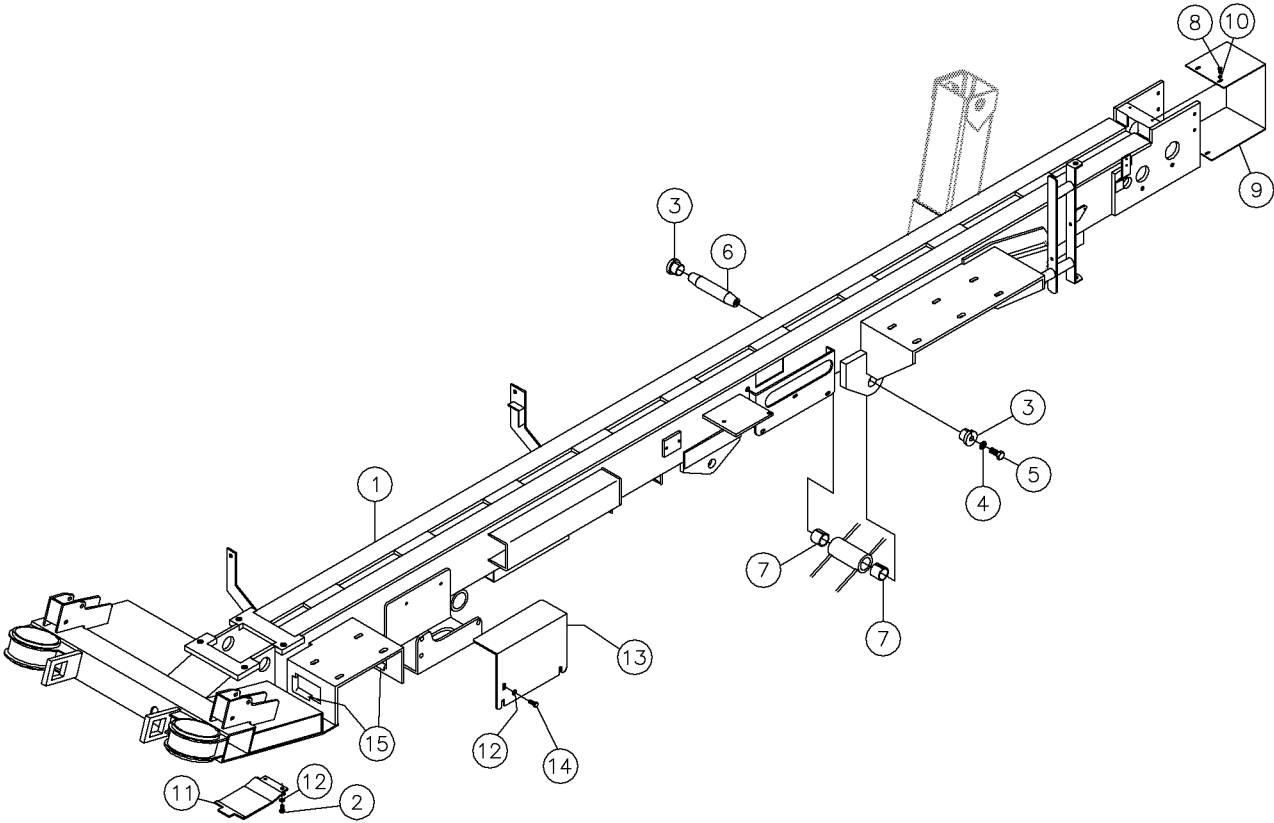
Decal Locations Fig 1-4r05



Decal Locations Fig 1-4r05

| REF. NO. | * | PART NO. | DESCRIPTION | QTY. | REMARKS |
|----------|---|---------------|--|------|--------------------------------------|
| | | Revision Date | July, 2002 | | Update In Illustration & Parts List. |
| 1 | | 700IA634 | DECAL-GAUGES | 1 | |
| 2 | | 7000A393 | DECAL-DANGER | 1 | |
| | | 700IA393 | DECAL-DANGER | 1 | |
| 3 | | 7000A394 | DECAL-WARNING | 1 | |
| | | 700IA394 | DECAL-WARNING | 1 | |
| 4 | * | 7000A812 | DECAL-WARNING | 1 | |
| | * | 700IA812 | DECAL-WARNING | 1 | |
| 5 | | 700IB054 | DECAL - OPERATOR CONTROL (L) | 1 | |
| 6 | | 700IB114 | DECAL-OPERATOR CONTROL | 1 | |
| 7 | | 70000784 | DECAL 6 "VERMEER LOGO | 1 | |
| 8 | | 700IB052 | DECAL-DASH | 1 | |
| 9 | | 7000A576 | DECAL-DANGER | 2 | |
| | | 700IA576 | DECAL-DANGER | 2 | |
| 10 | | 700IA639 | DECAL | 1 | |
| 11 | | 700IA630 | DECAL-CTL VALVES | 1 | |
| 12 | | 7000A797 | DECAL-GREASE CHART (REPLACED BY 7000B-241) | 1 | Replaced By 7000B241 |
| 13 | | 2326940 | DECAL-NOTICE TO OWNERS | 1 | |
| 14 | | 70000563 | DECAL-WARNING (UND) | 2 | |
| | | 7000I563 | DECAL-WARNING (UND) | 2 | |
| 15 | * | 700IB500 | DECAL - ROD POSITIONER | .067 | P/N Qty Of 1 = 1 Each |
| 16 | | 7000I445 | DECAL-LIFT POINT | 2 | |
| 17 | | 7000A627 | DECAL-DANGER | 2 | |
| 18 | | 7000B119 | DECAL-PATENT | 1 | |
| 19 | | 7000B116 | DECAL-ROD LIMITER | 1 | |
| 20 | | 7000B241 | DECAL-GREASE CHART | 1 | |
| 21 | | 700IB248 | *DECAL-PUSH | 1 | |
| 22 | | 700IB293 | *DECAL-SEAT LODK | 1 | S/N 462- |
| 23 | * | 7000B811 | DECAL - DANGER - RLE - DOMESTIC | 2 | |
| | * | 700IB811 | DECAL - DANGER - RLE INTERNATIONAL | 2 | International |
| 24 | * | 7000B304 | DECAL - WARNING | 1 | |
| | * | 700IB304 | DECAL - WARNING | 1 | International |
| 25 | * | 700IB809 | DECAL - REMOTE LOCKOUT | 1 | |
| 26 | * | 7000A864 | DECAL-WARNING DOMESTIC | 2 | |
| | * | 700IA864 | DECAL-WARNING INTERNATIONAL | 2 | International |

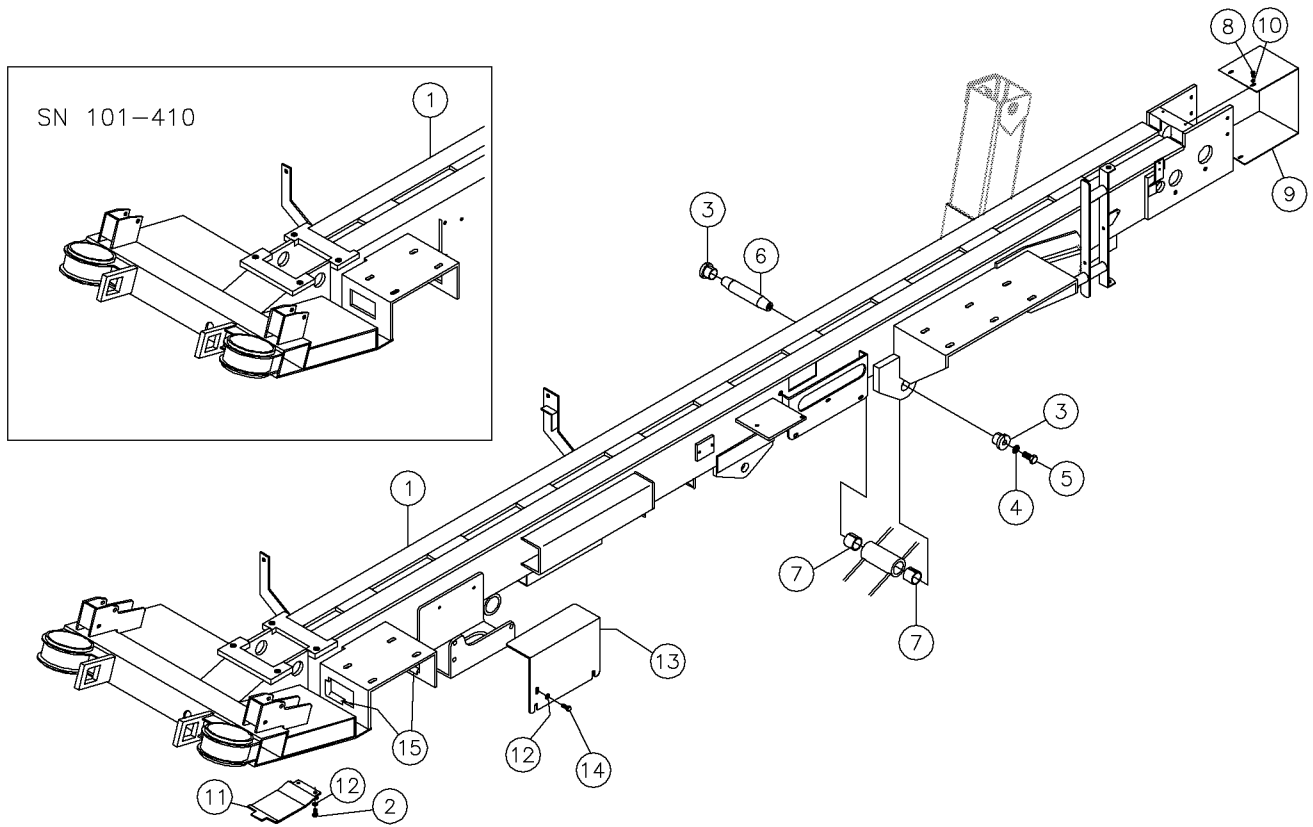
Rack Frame Fig 1-5r05



Rack Frame Fig 1-5r05

| REF. NO. | * | PART NO. | DESCRIPTION | QTY. | REMARKS |
|----------|---|---------------|----------------------------------|------|---|
| | | Revision Date | June, 2006 | | Update In Illustration & Parts List. |
| 1 | | 248147001 | RACK-D10 X 15 | 1 | S/N 411 & Up |
| 2 | | 235726001 | BOLT-3/8-16 X 3/4 GR8 HEX ZNCPLT | 2 | |
| 3 | | 235537001 | BUSHING-1 1/2 TAPERED | 2 | |
| 4 | | 235715001 | WASHER-5/8 SAE HARD ZINC PLTD | 2 | |
| 5 | | 27169014 | 5/8-11 X 1 1/2 GRADE 8 | 2 | |
| 6 | | 235536001 | PIN-1 1/2 X 8.26 TAPERED | 1 | |
| 7 | | 1835029 | BSHG.-STL.-1 3/4 X 1 1/2X 1 1/2 | 2 | |
| 8 | | 235733001 | BOLT-1/4-20 X 1/2 GR8 ZINC PLTD | 4 | |
| 9 | | 234612001 | SHIELD-ROLLER | 1 | |
| 10 | | 235716001 | WASHER-1/4 SAE HARD ZINC PLTD | 4 | |
| 11 | | 248008001 | COVER-THRUST BOLT | 1 | |
| 12 | * | 235713001 | WASHER-3/8 SAE HARD ZINC PLTD | 5 | |
| 13 | * | 289007001 | SHIELD - VISE VALVE | 1 | |
| 14 | * | 235727001 | BOLT-3/8-16X1 GR8 HEX ZINC PLT | 3 | |
| 15 | * | 278774001 | SEAL - EDGE 1/2" STYLE | 1 | P/N Qty Of 1 = 1 Foot (3.3 Feet Required) |

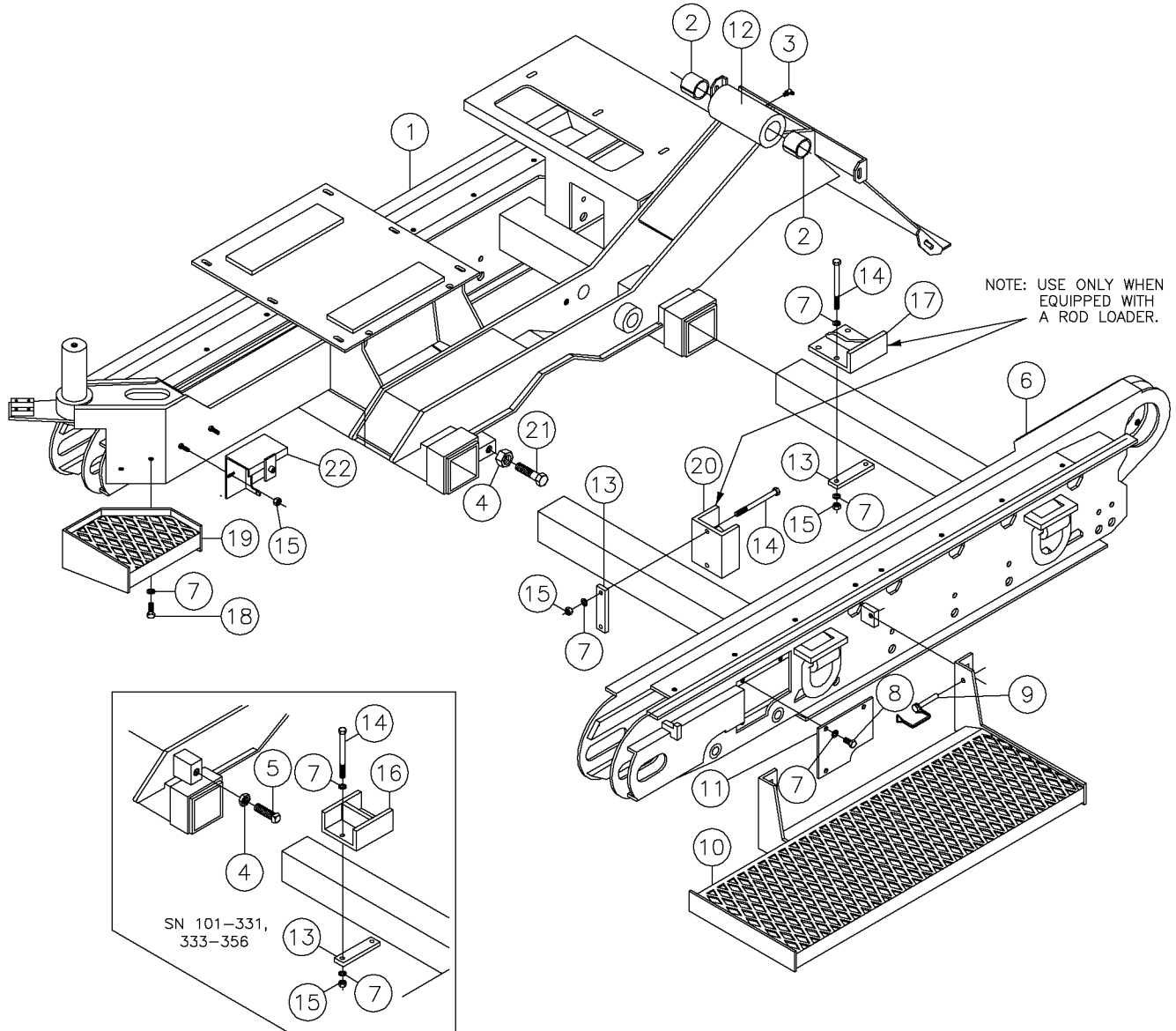
Rack Frame Fig 1-5r04



Rack Frame Fig 1-5r04

| REF. NO. | * | PART NO. | DESCRIPTION | QTY. | REMARKS |
|----------|---|---------------|----------------------------------|------|---|
| | | Revision Date | July, 2002 | | Update In Illustration & Parts List. |
| 1 | | 248147001 | RACK-D10 X 15 | 1 | |
| 2 | | 235726001 | BOLT-3/8-16 X 3/4 GR8 HEX ZNCPLT | 2 | |
| 3 | | 235537001 | BUSHING-1 1/2 TAPERED | 2 | |
| 4 | | 235715001 | WASHER-5/8 SAE HARD ZINC PLTD | 2 | |
| 5 | | 27169014 | 5/8-11 X 1 1/2 GRADE 8 | 2 | |
| 6 | | 235536001 | PIN-1 1/2 X 8.26 TAPERED | 1 | |
| 7 | | 1835029 | BSHG.-STL.-1 3/4 X 1 1/2X 1 1/2 | 2 | |
| 8 | | 235733001 | BOLT-1/4-20 X 1/2 GR8 ZINC PLTD | 4 | |
| 9 | | 234612001 | SHIELD-ROLLER | 1 | |
| 10 | | 235716001 | WASHER-1/4 SAE HARD ZINC PLTD | 4 | |
| 11 | | 248008001 | COVER-THRUST BOLT | 1 | |
| 12 | * | 235713001 | WASHER-3/8 SAE HARD ZINC PLTD | 5 | |
| 13 | * | 289007001 | SHIELD - VISE VALVE | 1 | |
| 14 | * | 235727001 | BOLT-3/8-16X1 GR8 HEX ZINC PLT | 3 | |
| 15 | * | 278773001 | SEAL - EDGE 3/8" STYLE | 1 | P/N Qty Of 1 = 1 Foot (3.3 Feet Required) |

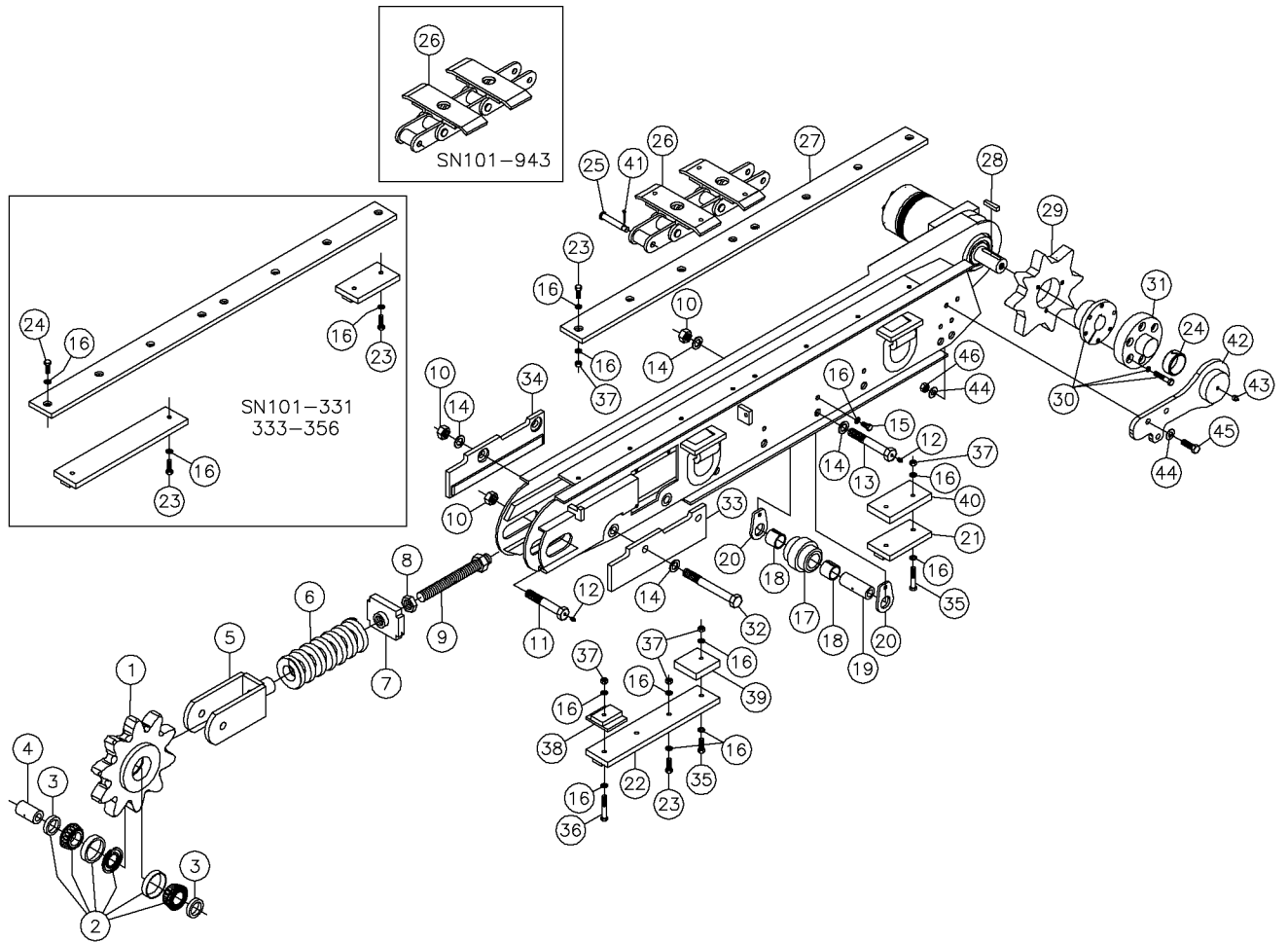
Track Frame Fig 1-6r04



Track Frame Fig 1-6r04

| REF. NO. | * | PART NO. | DESCRIPTION | QTY. | REMARKS |
|----------|---|---------------|-------------------------------------|------|--------------------------------------|
| | | Revision Date | July, 2002 | | Update In Illustration & Parts List. |
| 1 | | 248172001 | FRAME-UNDERCARRIAGE | 1 | S/N 101-331 & 333-356 |
| | | 282057001 | FRAME-UNDERCARRIAGE | 1 | S/N 332, 357-941 |
| | * | 289033001 | FRAME - UNDERCARRIAGE | 1 | S/N 942 - |
| 2 | | 1835029 | BSHG.-STL. -1 3/4 X 1 1/2 X 1 1/2 | 2 | |
| 3 | | 597001 | ZERK-1/4" NF 90 DEG GREASE | 1 | |
| 4 | | 250514001 | NUT-5/8 NC JAM Y ZINC | 1 | Replaces 429001 |
| 5 | | 551020 | S HSS-5/8-11 X 2 | 1 | S/N 101-331 & 333-356 |
| 6 | | 240440001 | FRAME-LEFT TRACK | 1 | S/N 101-331 & 333-356 |
| | | 282056001 | FRAME-LEFT TRACK | 1 | S/N 332, 357-941 |
| | * | 289031001 | FRAME-LEFT TRACK | 1 | S/N 942 - |
| 7 | * | 235713001 | WASHER-3/8 SAE HARD ZINC PLTD | 15 | |
| 8 | | 235726001 | BOLT-3/8-16 X 3/4 GR8 HEX ZNCPLT | 3 | |
| 9 | | 2109003 | PIN LOCKING -3/8 X 2 1/4 | 1 | |
| 10 | | 240408001 | STEP-ROD LOADER | 1 | |
| 11 | | 240339001 | COVER-TRACK TIGHTENER | 1 | |
| 12 | | 229462001 | PIVOT-RACK | 1 | |
| 13 | * | 250287001 | BRACKET-TRACK STOP | 3 | |
| 14 | * | 238246001 | BOLT 3/8"-16 X 4 1/2" GR8 HEX | 6 | |
| 15 | * | 235725001 | NUT-3/8-16 GR8 ZINC PLTD | 6 | |
| 16 | | 250283001 | STOP-TRACK | 1 | S/N 101-331 & 333-356 |
| 17 | * | 289233001 | STOP-TRACK | 1 | |
| 18 | | 235727001 | BOLT-3/8-16 X 1 GR 8 HEX ZINC PLT | 2 | |
| 19 | | 275223001 | PLATFORM-FOOT | 1 | |
| 20 | | 282084001 | STOP-TRACK | 1 | S/N 332, 357- |
| 21 | | 280647001 | BOLT-5/8-11 X 2 1/2 GR 8 Y/ZINC PLT | 1 | S/N 332, 357- |
| 22 | | 282095001 | MOUNT-CONNECTOR | 1 | S/N 470- |

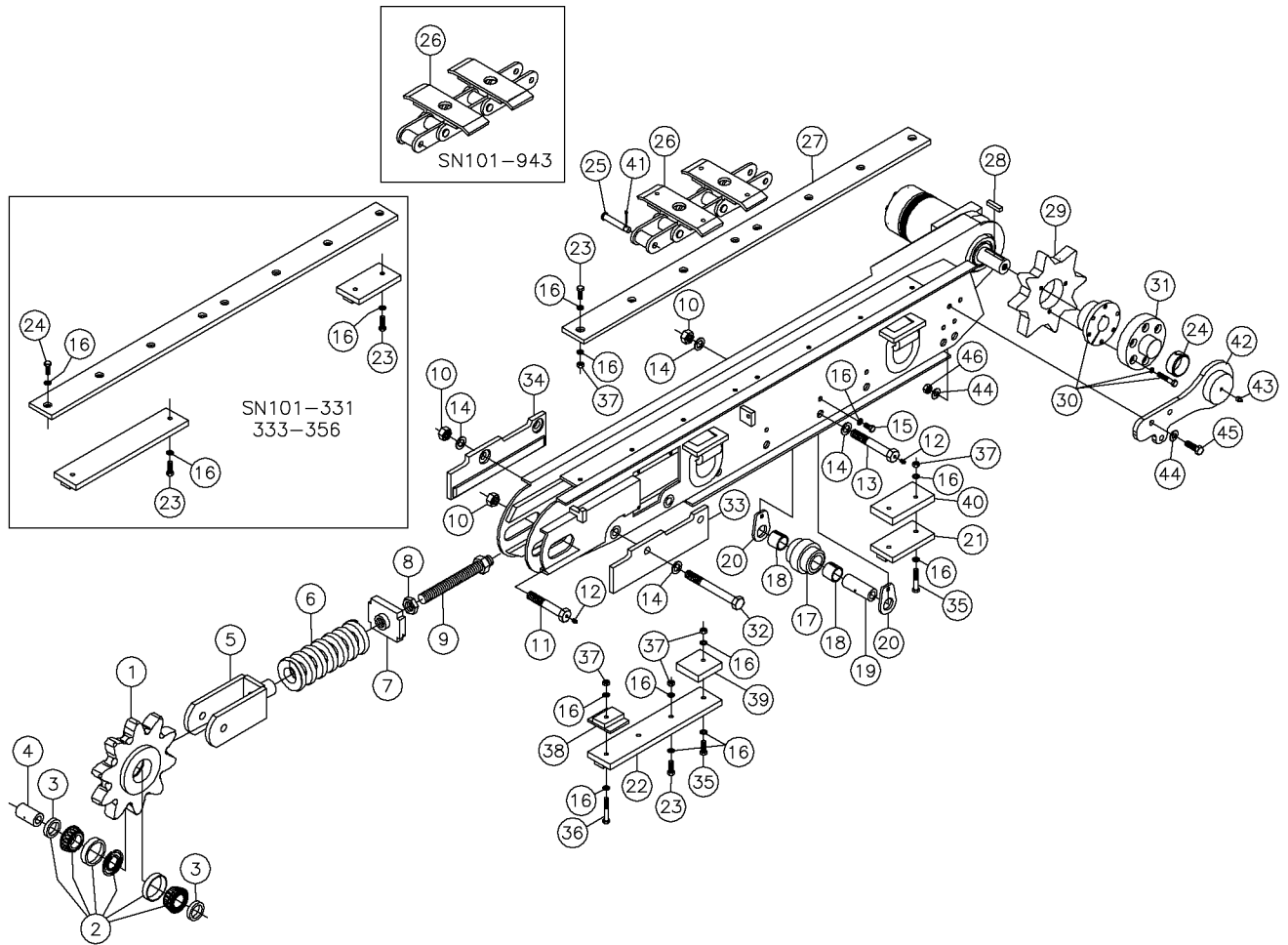
Track Frame - Steel Fig 1-7r04



Track Frame - Steel Fig 1-7r04

| REF. NO. | * | PART NO. | DESCRIPTION | QTY. | REMARKS |
|----------|---|---------------|------------------------------------|------|--------------------------------------|
| | | Revision Date | July, 2005 | | Update In Illustration & Parts List. |
| 1 | | 275020003 | SPROCKET-ASSY 10T IDLER | 2 | Inc Ref No 2 |
| 2 | | 217234001 | BEARING SET-1 3/8" ROLLER | 2 | |
| 3 | | 240328001 | TUBE-BEARING SPACER | 4 | |
| 4 | | 240327001 | TUBE-BEARING IDLER | 2 | |
| 5 | | 275041001 | SLIDE - IDLER | 2 | |
| 6 | | 240386001 | SPRING-3 1/4ODX25/32 WX8 1/4 C | 2 | S/N 101 - 943 |
| | | 289057001 | SPRING-3 5/16OD X 8 1/4H X 27/32 W | 2 | S/N 944 - |
| 7 | | 240387001 | TIGHTENER-SPRING | 2 | |
| 8 | | 437001 | NUT-1 NC HEX JAM | 2 | |
| 9 | | 211184001 | BOLT-TENSION | 2 | |
| 10 | | 397001 | NUT-3/4-10 GR 8 SLTL | 16 | |
| 11 | | 240329003 | BOLT ASSY | 2 | Inc Ref No 12 |
| 12 | | 598001 | ZERK-1/4" NF ST GREASE | 12 | |
| 13 | | 240293003 | BOLT ASSY | 10 | Inc Ref No 12 |
| 14 | | 235717001 | WASHER-3/4 SAE HARD ZINC PLTD | 28 | |
| 15 | | 235726001 | BOLT-3/8-16X3/4 GR8 HEX ZNCPLT | 20 | |
| 16 | | 235713001 | WASHER-3/8 SAE HARD ZINC PLTD | 76 | |
| 17 | | 240291003 | ROLLER ASSY | 10 | Include Two Of Ref No 18 |
| 18 | | 1835085 | BUSHING-STL.1 1/2X1 1/4-1 1/4 | 20 | |
| 19 | | 240292001 | TUBE SPACER | 10 | |
| 20 | | 240288001 | WASHER-TRACK ROLLER | 20 | |
| 21 | | 275035001 | BAR - TRACK WEAR | 2 | |
| 22 | | 275034001 | BAR - TRACK SLIDE | 2 | |
| 23 | | 235736001 | BOLT-3/8-16X1 1/4 ZINC PLTD | 20 | |
| 24 | | 601045001 | BUSHING-2 1/4ODX2ID-1 STEEL SP | 2 | |
| 25 | | 289143001 | PIN - TRACK | 2 | Replaces 10816001 |
| 26 | | 213634001 | TRACK-CHAIN | 2 | S/N 101 - 943 |
| | | 289069001 | CHAIN - TRACK | 2 | S/N 944 - |
| 27 | | 219397001 | BAR-WEAR | 2 | |
| 28 | | 579009 | HKEYS-3/8X3/8X1 3/4 | 2 | S/N 101 - 943 |
| | | 236219005 | KEY-SHAFT | 2 | S/N 944 - |
| 29 | | 211190001 | SPROCKET-8 TOOTH | 2 | |
| 30 | | 1693005 | HUB (BSHG) - SF 1 1/2" | 2 | S/N 101 - 943 |
| | | 289038001 | HUB - BUSHING SF 2 1/4 | 2 | S/N 944 - |
| | | | Figure Continued On Next Page | | |

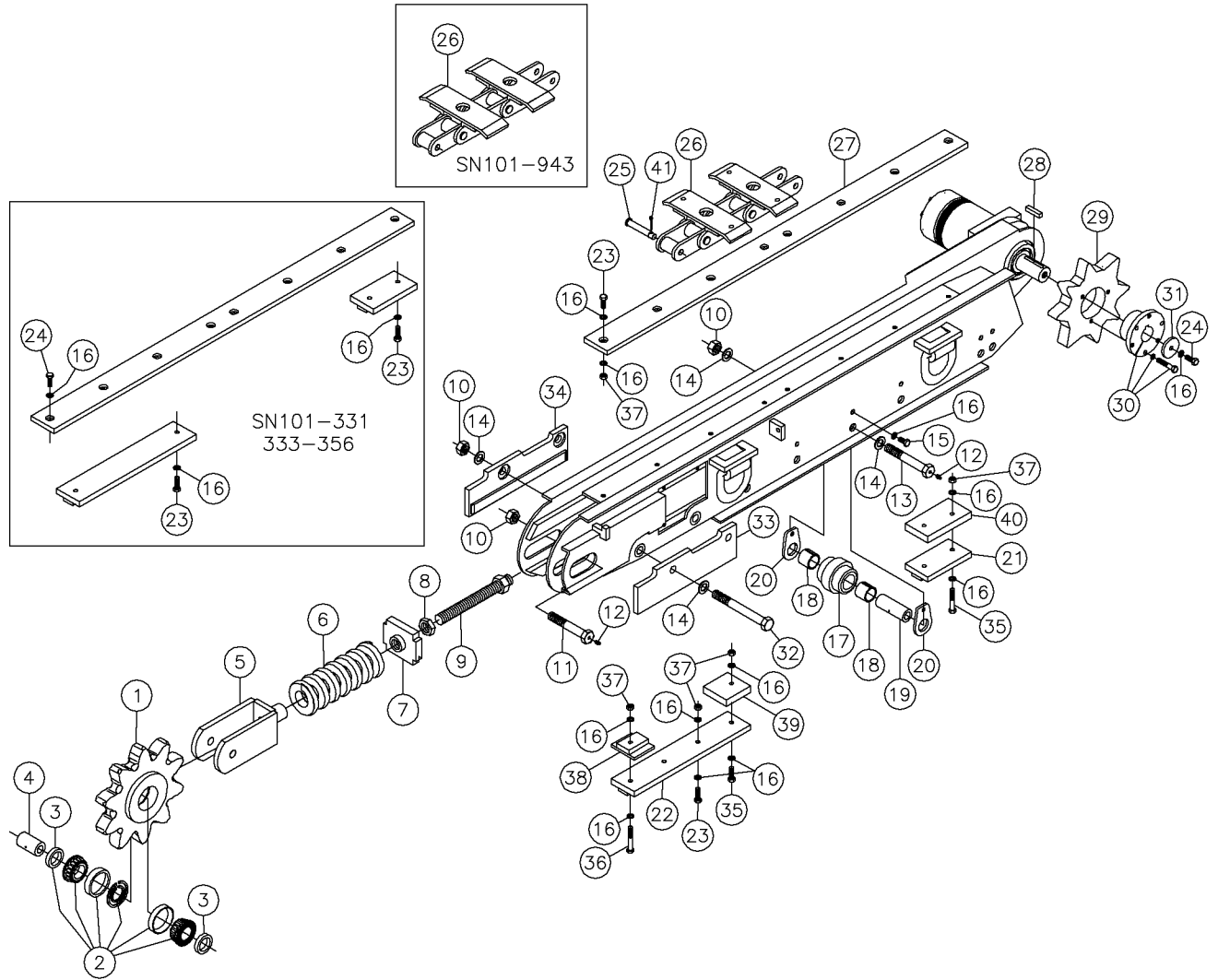
Track Frame - Steel (Continued) Fig 1-7r04



Track Frame - Steel (Continued) Fig 1-7r04

| REF. NO. | * | PART NO. | DESCRIPTION | QTY. | REMARKS |
|----------|---|-----------|----------------------------------|------|--------------------|
| 31 | | 296272070 | BOSS - HUB | 2 | |
| 32 | | 250608001 | BOLT-3/4-10X6 1/2 GR8 HX ZNC P | 4 | |
| 33 | | 248201001 | GUIDE-TRACK | 2 | |
| 34 | | 248200001 | GUIDE-TRACK | 2 | |
| 35 | | 250504001 | BOLT-3/8-16X2 1/4 GR 8 HEX | 6 | S/N 332, 357- |
| 36 | | 250529001 | BOLT-3/8-16X2 1/2 GR 8 HEX | 2 | S/N 332, 357- |
| 37 | | 235725001 | NUT-3/8-16 GR 8 ZINC PLTD | 28 | S/N 332, 357- |
| 38 | | 282090001 | SPACER-TRACK GUIDE | 2 | S/N 332, 357- |
| 39 | | 282089001 | SPACER-TRACK GUIDE | 2 | S/N 332, 357- |
| 40 | | 282088001 | SPACER-TRACK GUIDE | 2 | S/N 332, 357- |
| 41 | | 510047 | PIN-3/16X1 1/4 COTTER | 2 | |
| 42 | | 296272073 | STRAP - RIGHT | 2 | |
| | | 296272074 | STRAP - LEFT | 2 | |
| 43 | | 586001 | ZERK-1/8" ST NPT GREASE | 2 | |
| 44 | | 235712001 | WASHER-1/2 SAE HARD ZINC PLTD | 12 | Replaced by 485025 |
| 45 | | 235721001 | BOLT-1/2-13X1 1/2 GR8 ZINC PLT | 6 | |
| 46 | | 250512001 | NUT- 1/2 NC Gr8 TOP LOCK Y/ ZINC | 6 | |

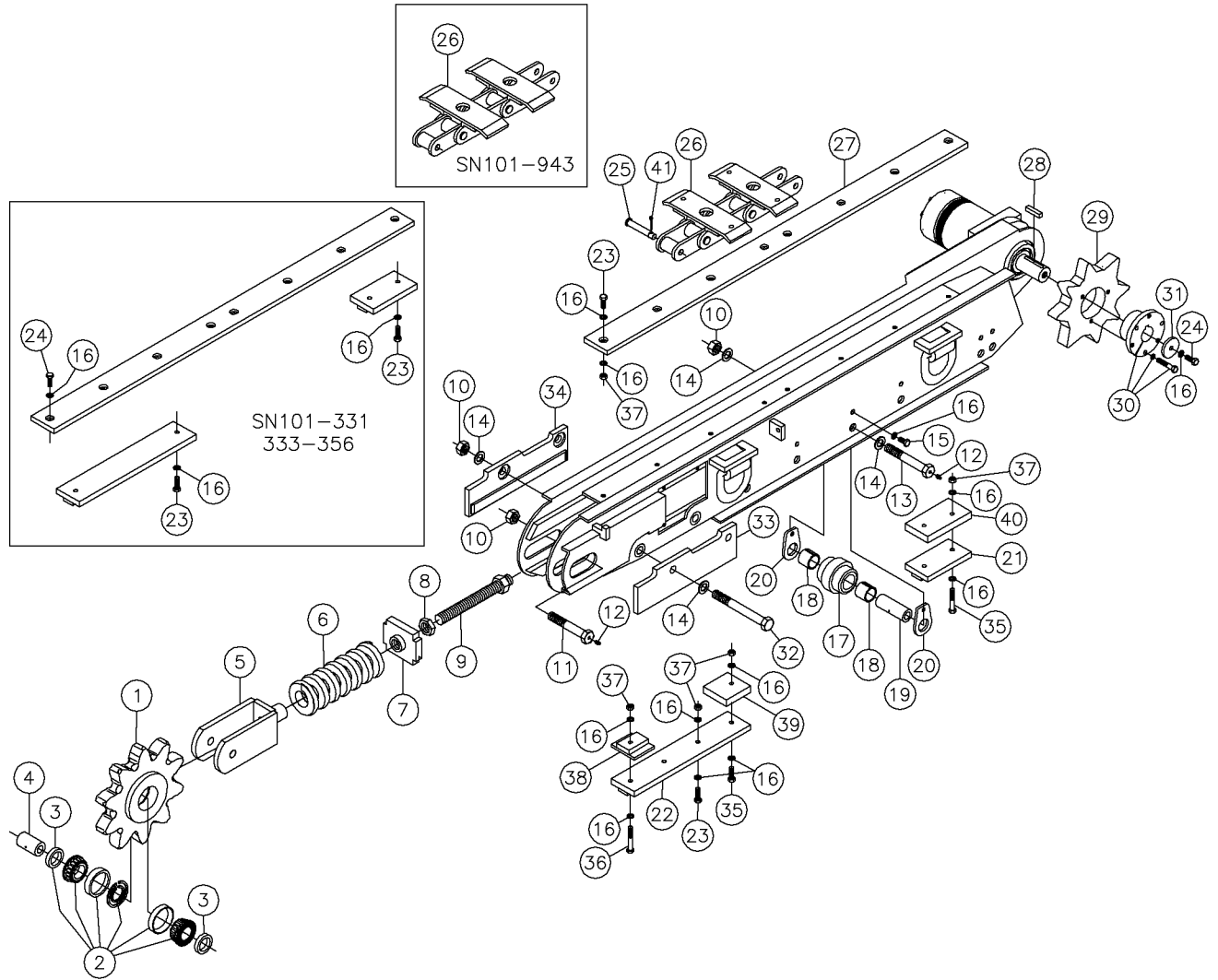
Track Frame - Steel Fig 1-7r03



Track Frame - Steel Fig 1-7r03

| REF. NO. | * | PART NO. | DESCRIPTION | QTY. | REMARKS |
|----------|---|---------------|--------------------------------------|------|--------------------------------------|
| | | Revision Date | July, 2002 | | Update In Illustration & Parts List. |
| 1 | | 275020003 | SPROCKET-ASSY 10T IDLER | 2 | Inc Ref No 2 |
| 2 | | 217234001 | BEARING SET-1 3/8" ROLLER | 2 | |
| 3 | | 240328001 | TUBE-BEARING SPACER | 4 | |
| 4 | | 240327001 | TUBE-BEARING IDLER | 2 | |
| 5 | | 275041001 | SLIDE - IDLER | 2 | |
| 6 | * | 240386001 | SPRING-3 1/4ODX25/32 WX8 1/4 C | 2 | S/N 101 - 943 |
| | * | 289057001 | SPRING - 3 5/16OD X 8 1/4H X 27/32 W | 2 | S/N 944 - |
| 7 | | 240387001 | TIGHTENER-SPRING | 2 | |
| 8 | | 437001 | NUT-1 NC HEX JAM | 2 | |
| 9 | | 211184001 | BOLT-TENSION | 2 | |
| 10 | | 397001 | NUT-3/4-10 GR 8 SLTL | 16 | |
| 11 | | 240329003 | BOLT ASSY | 2 | Inc Ref No 12 |
| 12 | | 598001 | ZERK-1/4" NF ST GREASE | 12 | |
| 13 | | 240293003 | BOLT ASSY | 10 | Inc Ref No 12 |
| 14 | | 235717001 | WASHER-3/4 SAE HARD ZINC PLTD | 28 | |
| 15 | | 235726001 | BOLT-3/8-16X3/4 GR8 HEX ZNCPLT | 20 | |
| 16 | | 235713001 | WASHER-3/8 SAE HARD ZINC PLTD | 78 | |
| 17 | | 240291003 | ROLLER ASSY | 10 | Include Two Of Ref No 18 |
| 18 | | 1835085 | BUSHING-STL.1 1/2X1 1/4-1 1/4 | 20 | |
| 19 | | 240292001 | TUBE SPACER | 10 | |
| 20 | | 240288001 | WASHER-TRACK ROLLER | 20 | |
| 21 | | 275035001 | BAR - TRACK WEAR | 2 | |
| 22 | | 275034001 | BAR - TRACK SLIDE | 2 | |
| 23 | | 235736001 | BOLT-3/8-16X1 1/4 ZINC PLTD | 20 | |
| 24 | | 235727001 | BOLT-3/8-16X1 GR8 HEX ZINC PLT | 2 | |
| 25 | * | 289143001 | PIN - TRACK | 2 | Replaces 10816001 |
| 26 | * | 213634001 | TRACK-CHAIN | 2 | S/N 101 - 943 |
| | * | 289069001 | CHAIN - TRACK | 2 | S/N 944 - |
| 27 | | 219397001 | BAR-WEAR | 2 | |
| 28 | * | 579009 | HKEYS-3/8X3/8X1 3/4 | 2 | S/N 101 - 943 |
| | * | 236219005 | KEY-SHAFT | 2 | S/N 944 - |
| 29 | | 211190001 | SPROCKET-8 TOOTH | 2 | |
| 30 | * | 1693005 | HUB (BSHG) - SF 1 1/2" | 2 | S/N 101 - 943 |
| | * | 289038001 | HUB - BUSHING SF 2 1/4 | 2 | S/N 944 - |
| | | | Figure Continued On Next Page | | |

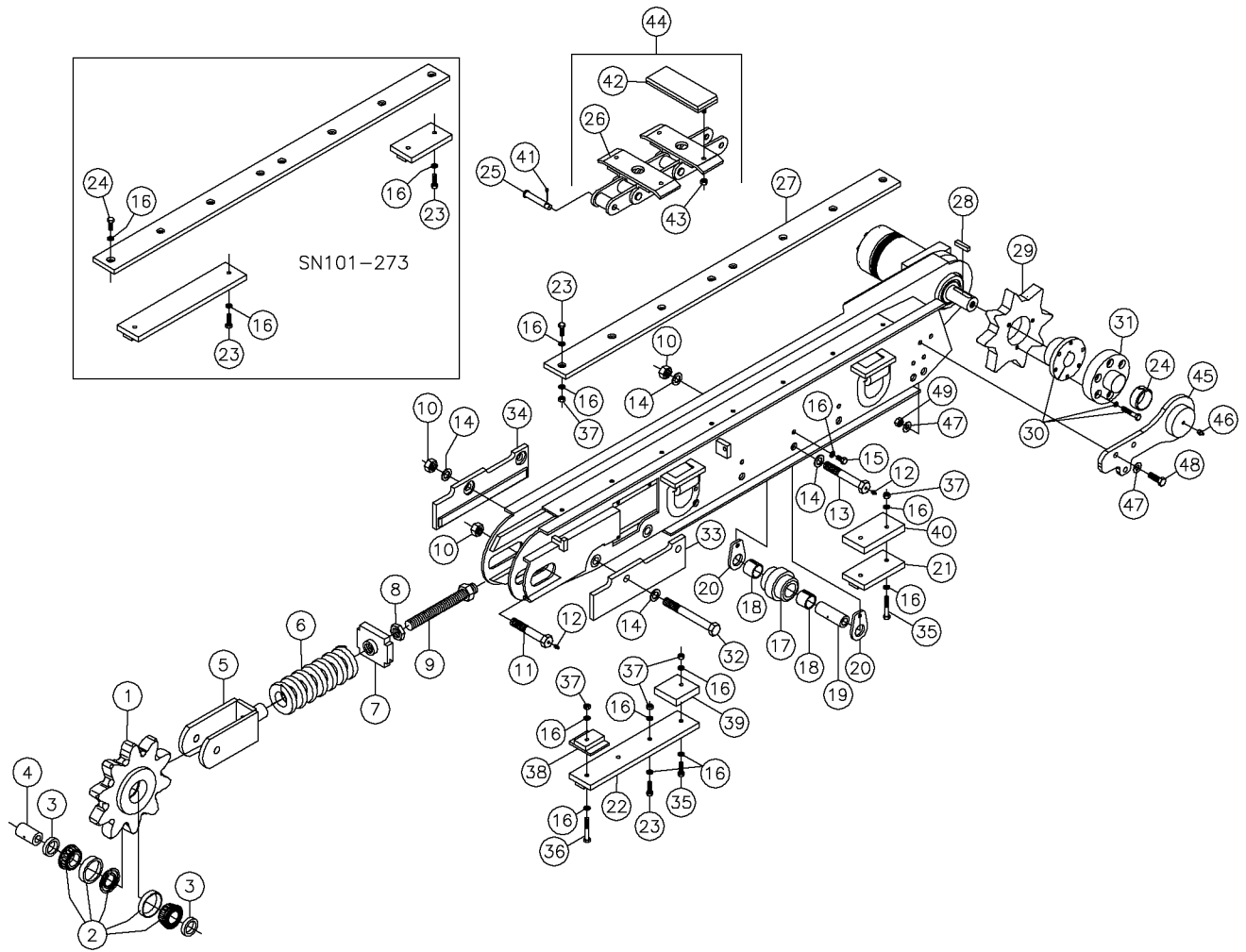
Track Frame - Steel (Continued) Fig 1-7r03



Track Frame - Steel (Continued) Fig 1-7r03

| REF. NO. | * | PART NO. | DESCRIPTION | QTY. | REMARKS |
|----------|---|-----------|--------------------------------|------|---------------|
| 31 | * | 18150001 | SLUG-2 DIA.-1/4" | 2 | S/N 101 - 943 |
| | * | 3808001 | CAP-SHAFT REF T10833 | 2 | S/N 944 - |
| 32 | | 250608001 | BOLT-3/4-10X6 1/2 GR8 HX ZNC P | 4 | |
| 33 | | 248201001 | GUIDE-TRACK | 2 | |
| 34 | | 248200001 | GUIDE-TRACK | 2 | |
| 35 | | 250504001 | BOLT-3/8-16X2 1/4 GR 8 HEX | 6 | S/N 332, 357- |
| 36 | | 250529001 | BOLT-3/8-16X2 1/2 GR 8 HEX | 2 | S/N 332, 357- |
| 37 | | 235725001 | NUT-3/8-16 GR 8 ZINC PLTD | 28 | S/N 332, 357- |
| 38 | | 282090001 | SPACER-TRACK GUIDE | 2 | S/N 332, 357- |
| 39 | | 282089001 | SPACER-TRACK GUIDE | 2 | S/N 332, 357- |
| 40 | | 282088001 | SPACER-TRACK GUIDE | 2 | S/N 332, 357- |
| 41 | | 510047 | PIN-3/16X1 1/4 COTTER | 2 | |

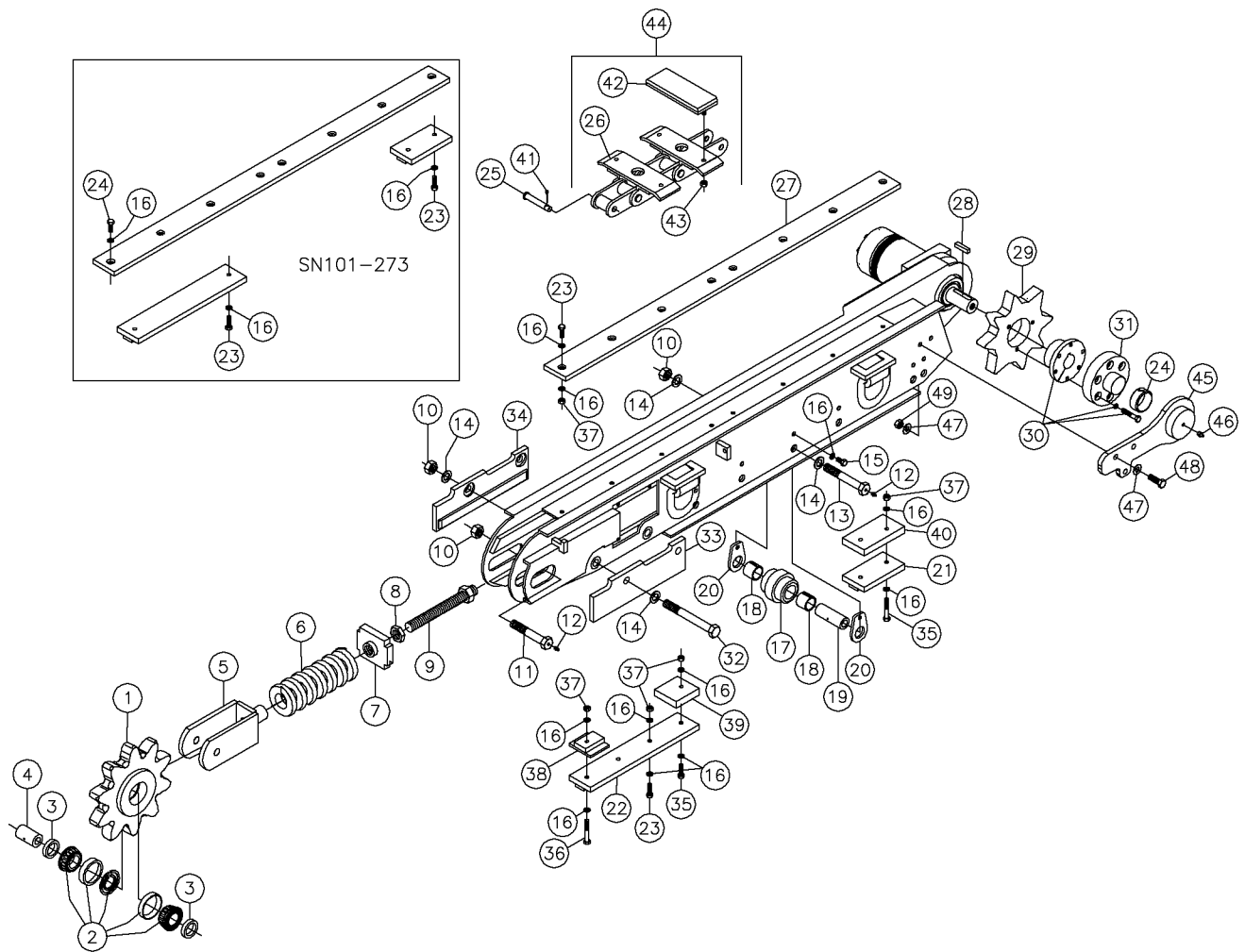
Track Frame - Rubber - (S/N 944-) Fig 1-8r04



Track Frame - Rubber - (S/N 944-) Fig 1-8r04

| REF. NO. | * | PART NO. | DESCRIPTION | QTY. | REMARKS |
|----------|---|---------------|--------------------------------|------|--------------------------------------|
| | | Revision Date | July, 2005 | | Update In Illustration & Parts List. |
| 1 | | 275020003 | SPROCKET-ASSY 10T IDLER | 2 | Inc Ref No 2 |
| 2 | | 217234001 | BEARING SET-1 3/8" ROLLER | 2 | |
| 3 | | 240328001 | TUBE-BEARING SPACER | 4 | |
| 4 | | 240327001 | TUBE-BEARING IDLER | 2 | |
| 5 | | 275041001 | SLIDE - IDLER | 2 | |
| 6 | | 240386001 | SPRING-3 1/4ODX25/32 WX8 1/4 C | 2 | |
| 7 | | 240387001 | TIGHTENER-SPRING | 2 | |
| 8 | | 437001 | NUT-1 NC HEX JAM | 2 | |
| 9 | | 211184001 | BOLT-TENSION | 2 | |
| 10 | | 397001 | NUT-3/4-10 GR 8 SLTL | 16 | |
| 11 | | 240329003 | BOLT ASSY | 2 | Inc Ref No 12 |
| 12 | | 598001 | ZERK-1/4" NF ST GREASE | 12 | |
| 13 | | 240293003 | BOLT ASSY | 10 | Inc Ref No 12 |
| 14 | | 235717001 | WASHER-3/4 SAE HARD ZINC PLTD | 28 | |
| 15 | | 235726001 | BOLT-3/8-16X3/4 GR8 HEX ZNCPLT | 20 | |
| 16 | | 235713001 | WASHER-3/8 SAE HARD ZINC PLTD | 76 | |
| 17 | | 240291003 | ROLLER ASSY | 10 | Include Two Of Ref No 18 |
| 18 | | 1835085 | BUSHING-STL.1 1/2X1 1/4-1 1/4 | 20 | |
| 19 | | 240292001 | TUBE SPACER | 10 | |
| 20 | | 240288001 | WASHER-TRACK ROLLER | 20 | |
| 21 | | 275035001 | BAR - TRACK WEAR | 2 | |
| 22 | | 275034001 | BAR - TRACK SLIDE | 2 | |
| 23 | | 235736001 | BOLT-3/8-16X1 1/4 ZINC PLTD | 20 | |
| 24 | | 601045001 | BUSHING-2 1/4ODX2ID-1 STEEL SP | 2 | |
| 25 | | 289143001 | PIN - TRACK | 2 | |
| 26 | | 289069001 | CHAIN - TRACK | 2 | |
| 27 | | 219397001 | BAR-WEAR | 2 | |
| 28 | | 579009 | HKEYS-3/8X3/8X1 3/4 | 2 | |
| 29 | | 211190001 | SPROCKET-8 TOOTH | 2 | |
| 30 | | 1693005 | HUB (BSHG) - SF 1 1/2" | 2 | |
| | | | Figure Continued On Next Page | | |

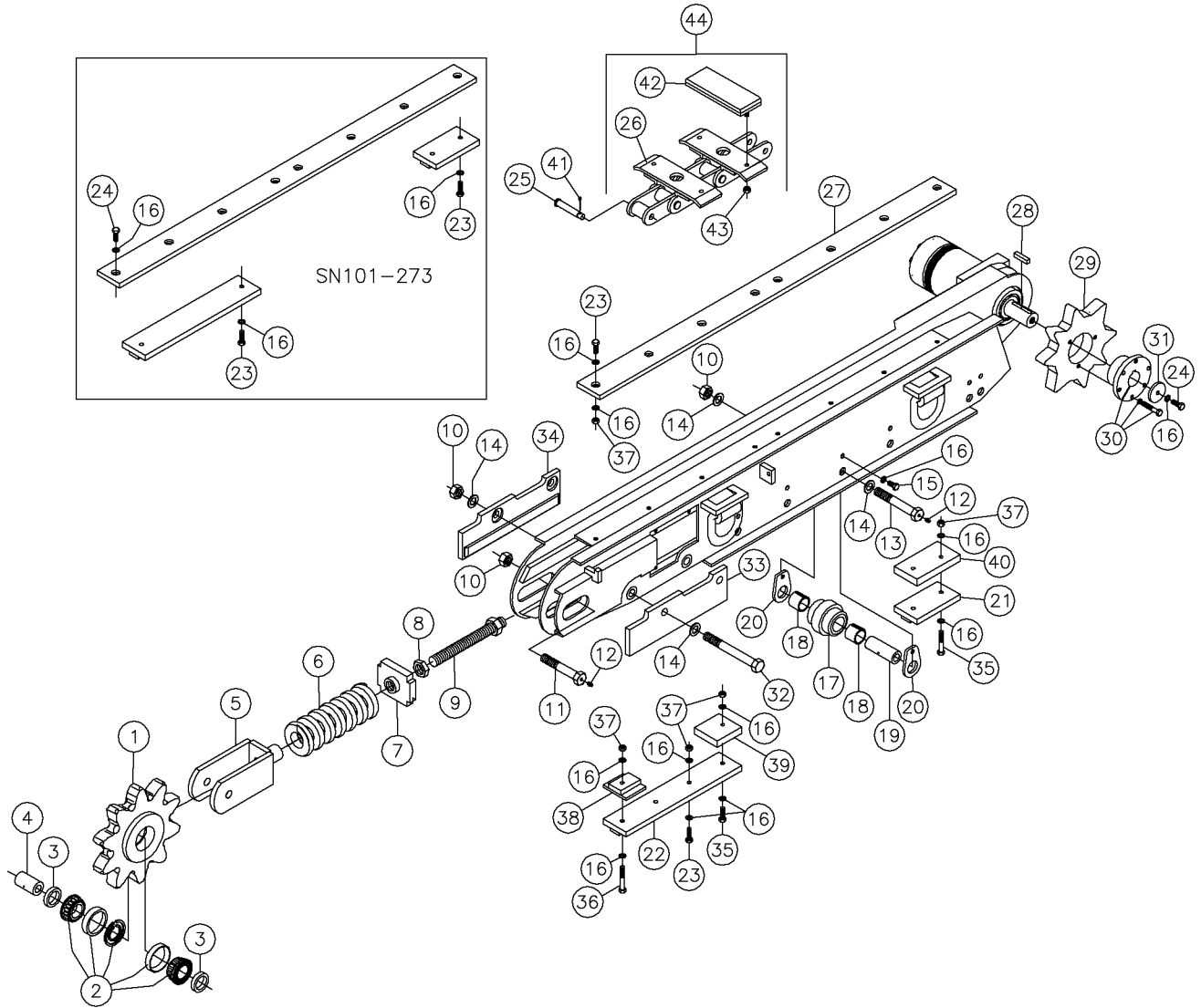
Track Frame - Rubber - (S/N 944-) (cont.) Fig 1-8r04



Track Frame - Rubber - (S/N 944-) (cont.) Fig 1-8r04

| REF. NO. | * | PART NO. | DESCRIPTION | QTY. | REMARKS |
|----------|---|-----------|--|------|-------------------------|
| 31 | | 296272070 | BOSS - HUB | 2 | |
| 32 | | 385064 | SCREW - HCS -3/4-10X6 1/2 GR 8 YZ | 4 | |
| 33 | | 248201001 | GUIDE-TRACK | 2 | |
| 34 | | 248200001 | GUIDE-TRACK | 2 | |
| 35 | | 250504001 | BOLT-3/8-16X2 1/4 GR 8 HEX | 6 | S/N 332, 357- |
| 36 | | 250529001 | BOLT-3/8-16X2 1/2 GR 8 HEX | 2 | S/N 332, 357- |
| 37 | | 235725001 | NUT-3/8-16 GR 8 ZINC PLTD | 28 | S/N 332, 357- |
| 38 | | 282090001 | SPACER-TRACK GUIDE | 2 | S/N 332, 357- |
| 39 | | 282089001 | SPACER-TRACK GUIDE | 2 | S/N 332, 357- |
| 40 | | 282088001 | SPACER-TRACK GUIDE | 2 | S/N 332, 357- |
| 41 | | 510047 | PIN-3/16X1 1/4 COTTER | 2 | |
| 42 | | 289066001 | PAD - RUBBER TRACK | 50 | |
| 43 | | 250508001 | NUT - 3/8-NC Gr8 TOP LOCK Y/ZINC | 100 | |
| 44 | | 289067001 | CHAIN - TRACK W/RUBBER PADS | 2 | Incl. Ref. 26, 42, & 43 |
| 45 | | 296272073 | STRAP - RIGHT | 2 | |
| | | 296272074 | STRAP - LEFT | 2 | |
| 46 | | 586001 | ZERK-1/8" ST NPT GREASE REF TR00484 | 2 | |
| 47 | | 235712001 | WASHER-1/2 SAE HARD ZINC PLTD - Replaced by 485025 | 12 | |
| 48 | | 235721001 | BOLT-1/2-13X1 1/2 GR8 ZINC PLT | 6 | |
| 49 | | 250512001 | NUT- 1/2 NC Gr8 TOP LOCK Y/ ZINC | 6 | |

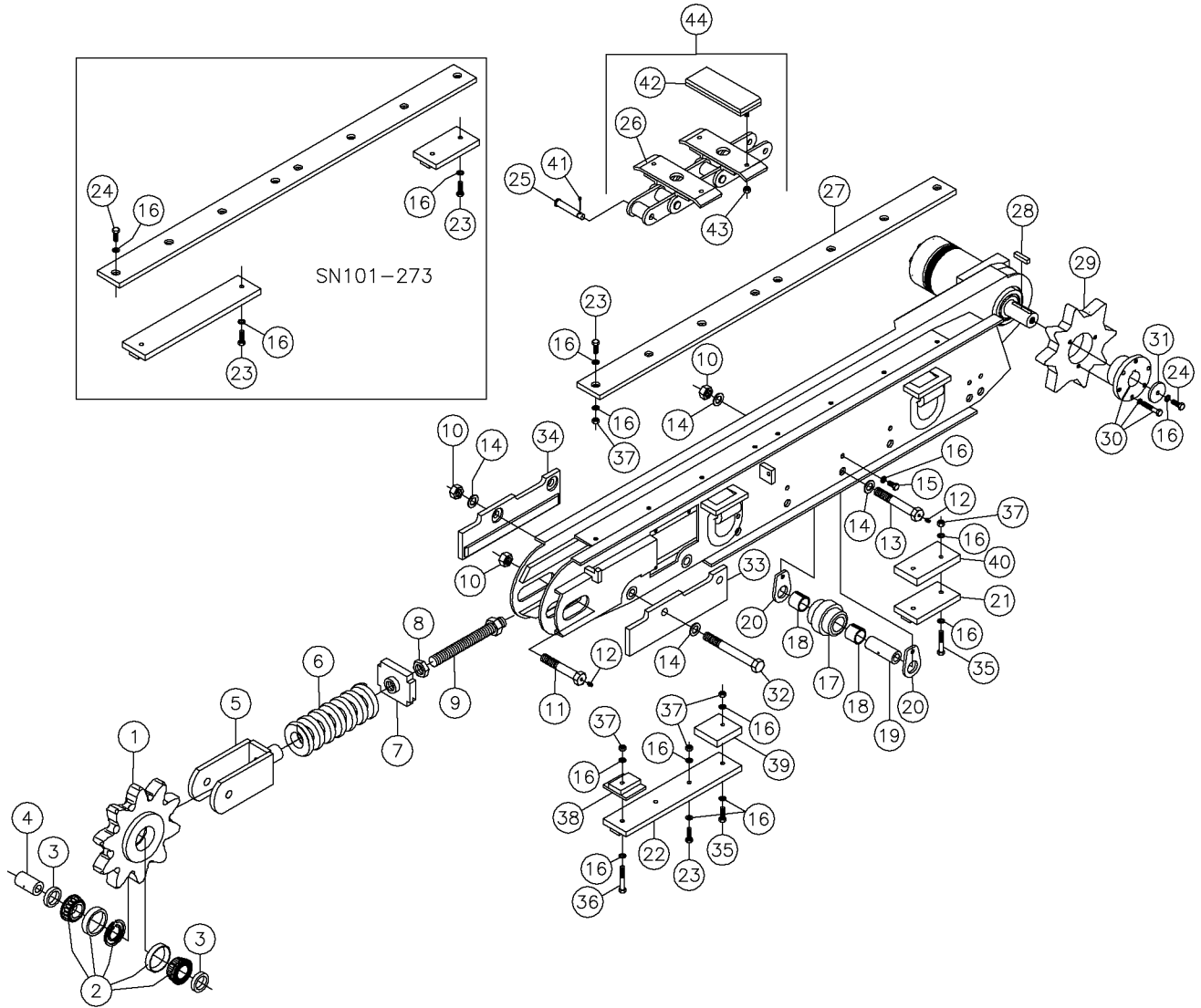
Track Frame - Rubber - (S/N 944-) Fig 1-8r03



Track Frame - Rubber - (S/N 944-) Fig 1-8r03

| REF. NO. | * | PART NO. | DESCRIPTION | QTY. | REMARKS |
|----------|---|---------------|--------------------------------|------|--------------------------------------|
| | | Revision Date | July, 2002 | | Update In Illustration & Parts List. |
| 1 | | 275020003 | SPROCKET-ASSY 10T IDLER | 2 | Inc Ref No 2 |
| 2 | | 217234001 | BEARING SET-1 3/8" ROLLER | 2 | |
| 3 | | 240328001 | TUBE-BEARING SPACER | 4 | |
| 4 | | 240327001 | TUBE-BEARING IDLER | 2 | |
| 5 | | 275041001 | SLIDE - IDLER | 2 | |
| 6 | | 240386001 | SPRING-3 1/4ODX25/32 WX8 1/4 C | 2 | |
| 7 | | 240387001 | TIGHTENER-SPRING | 2 | |
| 8 | | 437001 | NUT-1 NC HEX JAM | 2 | |
| 9 | | 211184001 | BOLT-TENSION | 2 | |
| 10 | | 397001 | NUT-3/4-10 GR 8 SLTL | 16 | |
| 11 | | 240329003 | BOLT ASSY | 2 | Inc Ref No 12 |
| 12 | | 598001 | ZERK-1/4" NF ST GREASE | 12 | |
| 13 | | 240293003 | BOLT ASSY | 10 | Inc Ref No 12 |
| 14 | | 235717001 | WASHER-3/4 SAE HARD ZINC PLTD | 28 | |
| 15 | | 235726001 | BOLT-3/8-16X3/4 GR8 HEX ZNCPLT | 20 | |
| 16 | | 235713001 | WASHER-3/8 SAE HARD ZINC PLTD | 78 | |
| 17 | | 240291003 | ROLLER ASSY | 10 | Include Two Of Ref No 18 |
| 18 | | 1835085 | BUSHING-STL.1 1/2X1 1/4-1 1/4 | 20 | |
| 19 | | 240292001 | TUBE SPACER | 10 | |
| 20 | | 240288001 | WASHER-TRACK ROLLER | 20 | |
| 21 | | 275035001 | BAR - TRACK WEAR | 2 | |
| 22 | | 275034001 | BAR - TRACK SLIDE | 2 | |
| 23 | | 235736001 | BOLT-3/8-16X1 1/4 ZINC PLTD | 20 | |
| 24 | | 235727001 | BOLT-3/8-16X1 GR8 HEX ZINC PLT | 2 | |
| 25 | * | 289143001 | PIN - TRACK | 2 | |
| 26 | * | 289069001 | CHAIN - TRACK | 2 | |
| 27 | | 219397001 | BAR-WEAR | 2 | |
| 28 | | 579009 | HKEYS-3/8X3/8X1 3/4 | 2 | |
| 29 | | 211190001 | SPROCKET-8 TOOTH | 2 | |
| 30 | | 1693005 | HUB (BSHG) - SF 1 1/2" | 2 | |
| | | | Figure Continued On Next Page | | |

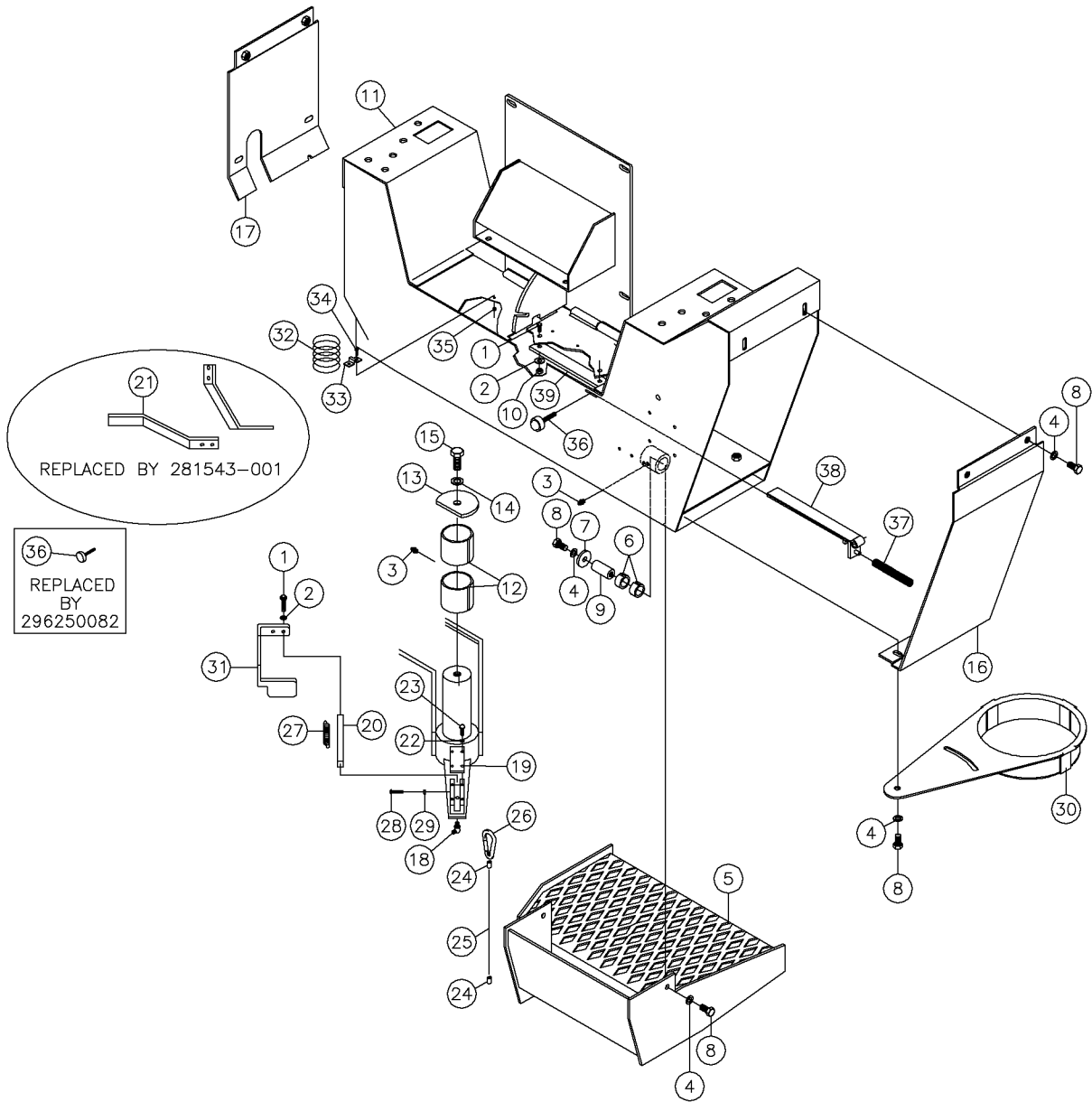
Track Frame - Rubber - (S/N 944-) (cont.) Fig 1-8r03



Track Frame - Rubber - (S/N 944-) (cont.) Fig 1-8r03

| REF. NO. | * | PART NO. | DESCRIPTION | QTY. | REMARKS |
|----------|---|-----------|-----------------------------------|------|-------------------------|
| 31 | | 18150001 | SLUG-2 DIA.-1/4" | 2 | |
| 32 | * | 385064 | SCREW - HCS -3/4-10X6 1/2 GR 8 YZ | 4 | |
| 33 | | 248201001 | GUIDE-TRACK | 2 | |
| 34 | | 248200001 | GUIDE-TRACK | 2 | |
| 35 | | 250504001 | BOLT-3/8-16X2 1/4 GR 8 HEX | 6 | S/N 332, 357- |
| 36 | | 250529001 | BOLT-3/8-16X2 1/2 GR 8 HEX | 2 | S/N 332, 357- |
| 37 | | 235725001 | NUT-3/8-16 GR 8 ZINC PLTD | 28 | S/N 332, 357- |
| 38 | | 282090001 | SPACER-TRACK GUIDE | 2 | S/N 332, 357- |
| 39 | | 282089001 | SPACER-TRACK GUIDE | 2 | S/N 332, 357- |
| 40 | | 282088001 | SPACER-TRACK GUIDE | 2 | S/N 332, 357- |
| 41 | | 510047 | PIN-3/16X1 1/4 COTTER | 2 | |
| 42 | * | 289066001 | PAD - RUBBER TRACK | 50 | |
| 43 | * | 250508001 | NUT - 3/8-NC Gr8 TOP LOCK Y/ZINC | 100 | |
| 44 | * | 289067001 | CHAIN - TRACK W/RUBBER PADS | 2 | Incl. Ref. 26, 42, & 43 |

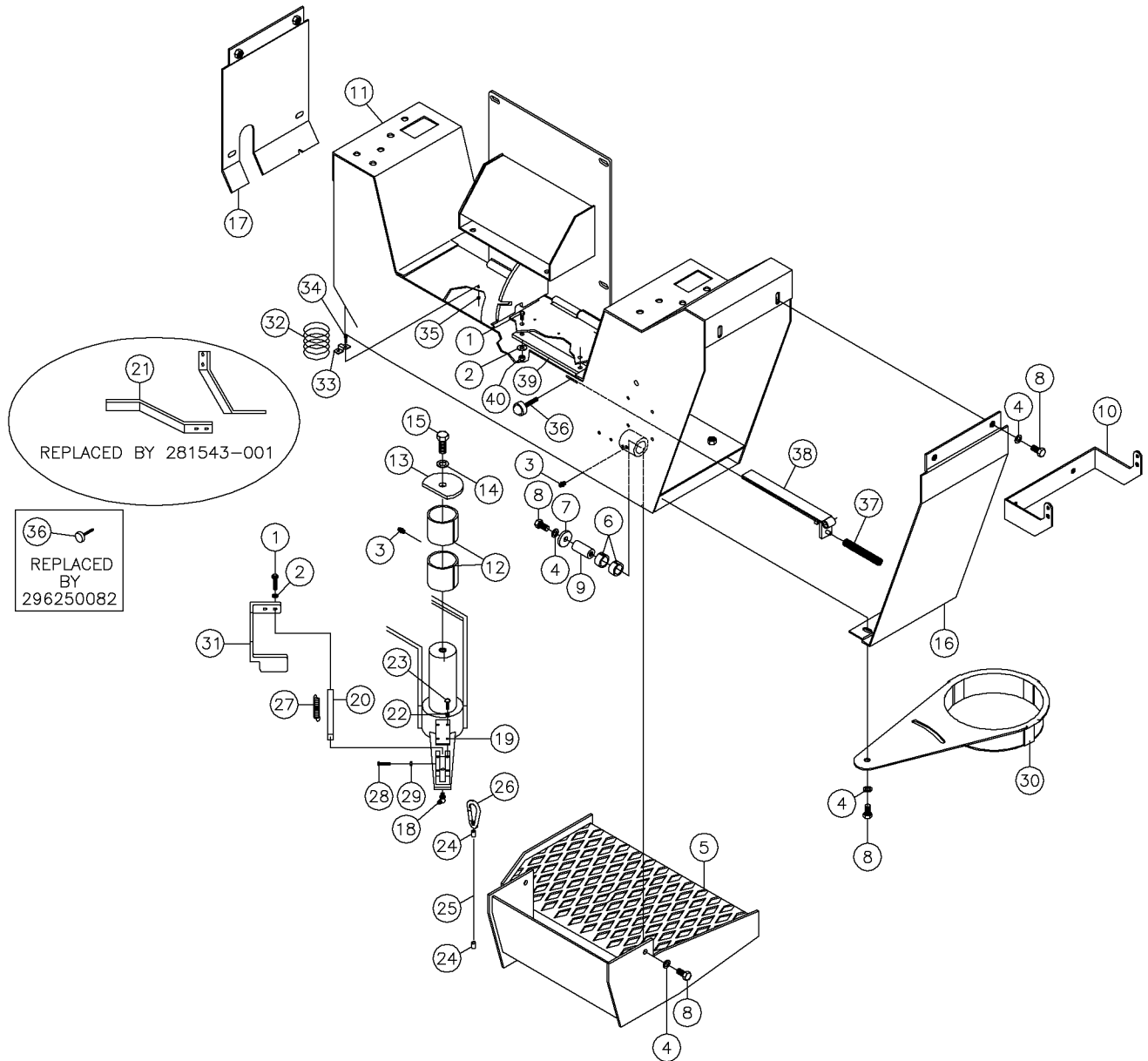
Operator Station Fig 1-9r08



Operator Station Fig 1-9r08

| REF. NO. | * | PART NO. | DESCRIPTION | QTY. | REMARKS |
|----------|---|---------------|---|------|--------------------------------------|
| | | Revision Date | May, 2006 | | Update In Illustration & Parts List. |
| 1 | | 235734001 | BOLT-1/4-20X3/4 GR8 ZINC PLTD | 1 | |
| 2 | | 235716001 | WASHER-1/4 SAE HARD ZINC PLTD | 1 | |
| 3 | | 598001 | ZERK-1/4" NF ST GREASE | 3 | |
| 4 | | 235713001 | WASHER-3/8 SAE HARD ZINC PLTD | 10 | |
| 5 | | 275207001 | PLATFORM-OPERATOR | 1 | |
| 6 | | 1835073 | BSHG.-ST.1X3/4-1/2 | 4 | |
| 7 | | 275216001 | WASHER-1 1/4OD X 13/32ID X3/16 | 2 | |
| 8 | | 235726001 | BOLT-3/8-16X3/4 GR8 HEX ZNCPLT | 12 | |
| 9 | | 275190001 | PIN-PIVOT | 2 | |
| 10 | | 248198001 | NUT-1/4 - 20 GR8 TOP LOCK ZINC | 2 | |
| 11 | | 245105001 | STATION-OPERATOR | 1 | S/N 101-461 |
| 11 | | 283541001 | STATION-OPERATOR | 1 | S/N 462-725 |
| 11 | | 282853001 | STATION-OPERATION | 1 | S/N 726- |
| 12 | | 1835037 | BSHG.-STL.-2 3/8 X 2 X 2 | 2 | |
| 13 | | 248124001 | CAP-PIVOT | 1 | |
| 14 | | 485025 | WASHER-1/2 FLAT-HARDENED-ZINC | 1 | |
| 15 | | 235729001 | BOLT-1/2-13X1 GR8 HEX ZINC PLT | 1 | |
| 16 | | 275083001 | SHIELD-CONTROL PANEL | 1 | S/N 101-725 |
| 16 | | 282855001 | SHIELD-CONTROL PANEL | 1 | S/N 726- |
| 17 | | 275085001 | SHIELD-LEFT CONTROL | 1 | |
| 18 | | 597001 | ZERK-1/4" NF 90 DEG GREASE | 1 | |
| 19 | | 248121001 | COVER-SEAT PIN | 1 | |
| 20 | | 248122001 | PIN-SEAT CATCH | 1 | |
| 21 | | 248123001 | ARM-SEAT RELEASE | 1 | |
| 22 | | 480001 | WASHER-3/16 S/T LOCK | 4 | |
| 23 | * | 79525001 | SCREW-#10-24X1/2 FLHD MACHINE | 4 | Early Models |
| | * | 1802004 | BOLT-3/16"NF X 1/2" STOVE REF T16183 | 4 | Later Models |
| 24 | | 1838001 | CONNECTOR-WIRE (ETC) | 2 | |
| 25 | | 275220001 | CABLE-3/32 X 9 NYLON COATED | 1 | |
| 26 | | 235748001 | CHAIN SNAP -3/16 S.S. | 1 | |
| 27 | | 282052001 | SPRING-2084 EXT 1.50 | 1 | Replaces 1789049 |
| 28 | | 533010 | SCREW-10-24X1 RND HD.MACH.SLT | 1 | |
| 29 | | 400001 | NUT-3/16 NC HEX | 1 | |
| 30 | | 281546001 | HOLDER-GREASE BUCKET | 1 | |
| 31 | | 281543001 | LEVER-SEAT LATCH | 1 | Replaces 248123001 & 278277001 |
| 32 | | 283538001 | SPRING-1 15/16 OD X 2.5 LONG X 75 LB (REPLACES 28 | 3 | |
| 33 | | 283536001 | CLIP-SPRING HOLDER | 3 | S/n 463-547 |
| 33 | | 4119001 | CLAMP-AO45202 | 3 | S/n 548- |
| 34 | | 289110001 | SCREW-6-32X3/4 MACHINE | 3 | S/n 463-547 |
| 34 | | 79525001 | SCREW-#10 24X1/2 FLTH HD MACH | 3 | S/n 548- |
| 35 | | 69757001 | LOCKNUT-#6-32 NYLON INSERT PLT | 3 | S/n 463-547 |
| 35 | | 99042001 | NUT-10-24 NYLON INSERT LOCK | 3 | S/n 548- |
| 36 | * | 296250082 | KNOB - PLASTIC W/ 1/4 THREADED STUD | 1 | |
| 37 | | 151680001 | SPRING-COMPRESSION | 1 | |
| 38 | | 283532001 | HANDLE-SEAT | 1 | |
| 39 | | 283535001 | BAR-HANDLE SEAT SLIDE | 1 | |

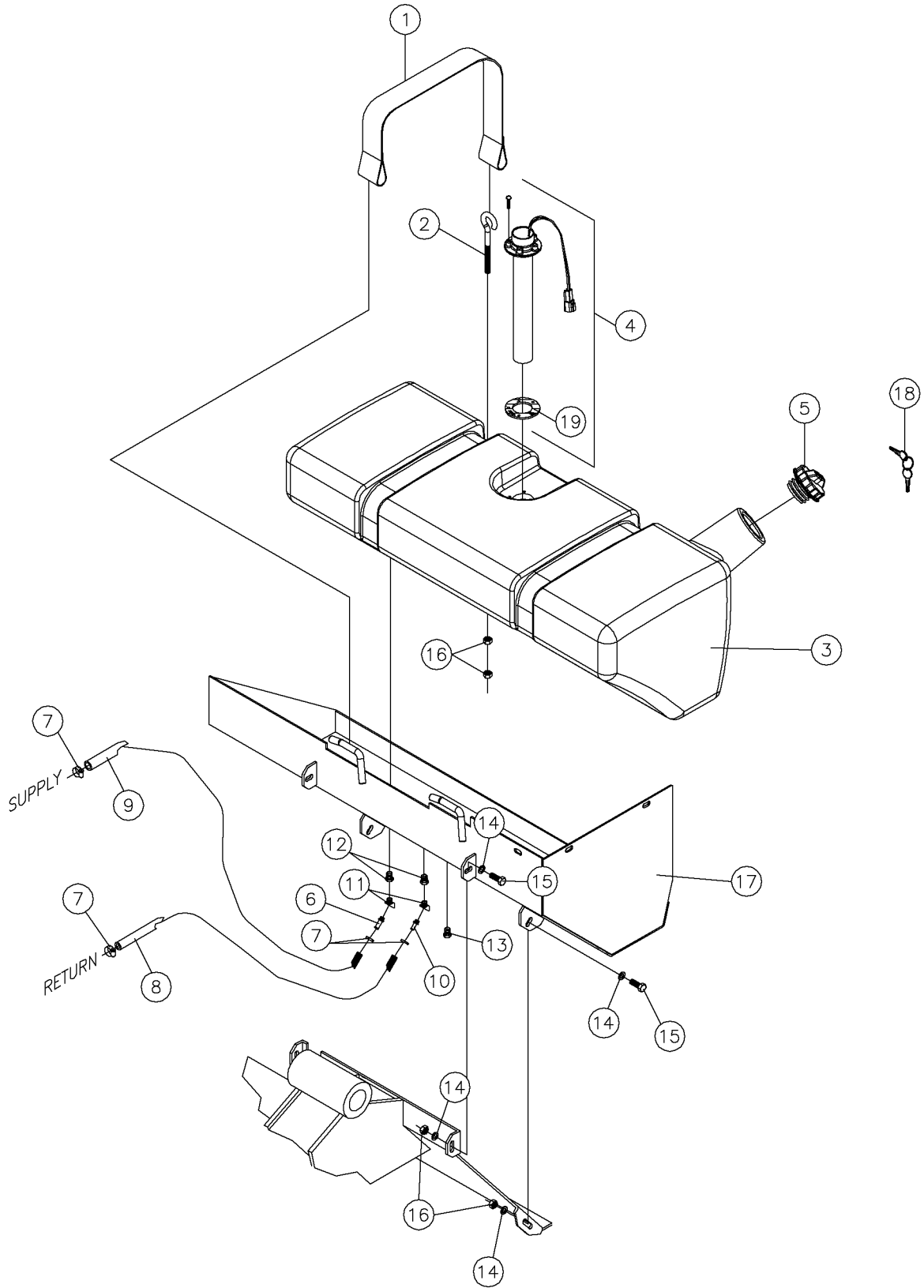
Operator Station Fig 1-9r07



Operator Station Fig 1-9r07

| REF. NO. | * | PART NO. | DESCRIPTION | QTY. | REMARKS |
|----------|---|---------------|---|------|--------------------------------------|
| | | Revision Date | July, 2002 | | Update In Illustration & Parts List. |
| 1 | | 235734001 | BOLT-1/4-20X3/4 GR8 ZINC PLTD | 1 | |
| 2 | | 235716001 | WASHER-1/4 SAE HARD ZINC PLTD | 1 | |
| 3 | | 598001 | ZERK-1/4" NF ST GREASE | 3 | |
| 4 | | 235713001 | WASHER-3/8 SAE HARD ZINC PLTD | 10 | |
| 5 | | 275207001 | PLATFORM-OPERATOR | 1 | |
| 6 | | 1835073 | BSHG.-ST.1X3/4-1/2 | 4 | |
| 7 | | 275216001 | WASHER-1 1/4OD X 13/32ID X3/16 | 2 | |
| 8 | | 235726001 | BOLT-3/8-16X3/4 GR8 HEX ZNCPLT | 12 | |
| 9 | | 275190001 | PIN-PIVOT | 2 | |
| 10 | | 236296001 | BRACKET-REMOTE MOUNT | 1 | |
| 11 | | 245105001 | STATION-OPERATOR | 1 | S/N 101-461 |
| 11 | | 283541001 | STATION-OPERATOR | 1 | S/N 462-725 |
| 11 | | 282853001 | STATION-OPERATION | 1 | S/N 726- |
| 12 | | 1835037 | BSHG.-STL.-2 3/8 X 2 X 2 | 2 | |
| 13 | | 248124001 | CAP-PIVOT | 1 | |
| 14 | | 485025 | WASHER-1/2 FLAT-HARDENED-ZINC | 1 | |
| 15 | | 235729001 | BOLT-1/2-13X1 GR8 HEX ZINC PLT | 1 | |
| 16 | | 275083001 | SHIELD-CONTROL PANEL | 1 | S/N 101-725 |
| 16 | | 282855001 | SHIELD-CONTROL PANEL | 1 | S/N 726- |
| 17 | | 275085001 | SHIELD-LEFT CONTROL | 1 | |
| 18 | | 597001 | ZERK-1/4" NF 90 DEG GREASE | 1 | |
| 19 | | 248121001 | COVER-SEAT PIN | 1 | |
| 20 | | 248122001 | PIN-SEAT CATCH | 1 | |
| 21 | | 248123001 | ARM-SEAT RELEASE | 1 | |
| 22 | | 480001 | WASHER-3/16 S/T LOCK | 4 | |
| 23 | * | 79525001 | SCREW-#10-24X1/2 FLHD MACHINE | 4 | Early Models |
| | * | 1802004 | BOLT-3/16"NF X 1/2" STOVE REF T16183 | 4 | Later Models |
| 24 | | 1838001 | CONNECTOR-WIRE (ETC) | 2 | |
| 25 | | 275220001 | CABLE-3/32 X 9 NYLON COATED | 1 | |
| 26 | | 235748001 | CHAIN SNAP -3/16 S.S. | 1 | |
| 27 | | 282052001 | SPRING-2084 EXT 1.50 | 1 | Replaces 1789049 |
| 28 | | 533010 | SCREW-10-24X1 RND HD.MACH.SLT | 1 | |
| 29 | | 400001 | NUT-3/16 NC HEX | 1 | |
| 30 | | 281546001 | HOLDER-GREASE BUCKET | 1 | |
| 31 | | 281543001 | LEVER-SEAT LATCH | 1 | Replaces 248123001 & 278277001 |
| 32 | | 283538001 | SPRING-1 15/16 OD X 2.5 LONG X 75 LB (REPLACES 28 | 3 | |
| 33 | | 283536001 | CLIP-SPRING HOLDER | 3 | S/n 463-547 |
| 33 | | 4119001 | CLAMP-AO45202 | 3 | S/n 548- |
| 34 | | 289110001 | SCREW-6-32X3/4 MACHINE | 3 | S/n 463-547 |
| 34 | | 79525001 | SCREW-#10 24X1/2 FLTH HD MACH | 3 | S/n 548- |
| 35 | | 69757001 | LOCKNUT-#6-32 NYLON INSERT PLT | 3 | S/n 463-547 |
| 35 | | 99042001 | NUT-10-24 NYLON INSERT LOCK | 3 | S/n 548- |
| 36 | * | 296250082 | KNOB - PLASTIC W/ 1/4 THREADED STUD | 1 | |
| 37 | | 151680001 | SPRING-COMPRESSION | 1 | |
| 38 | | 283532001 | HANDLE-SEAT | 1 | |
| 39 | | 283535001 | BAR-HANDLE SEAT SLIDE | 1 | |
| 40 | | 248198001 | NUT-1/4-20 GR 8 TOP LOCK ZINC | 2 | |

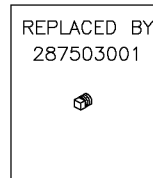
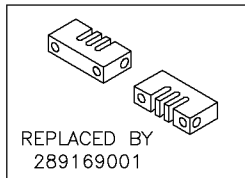
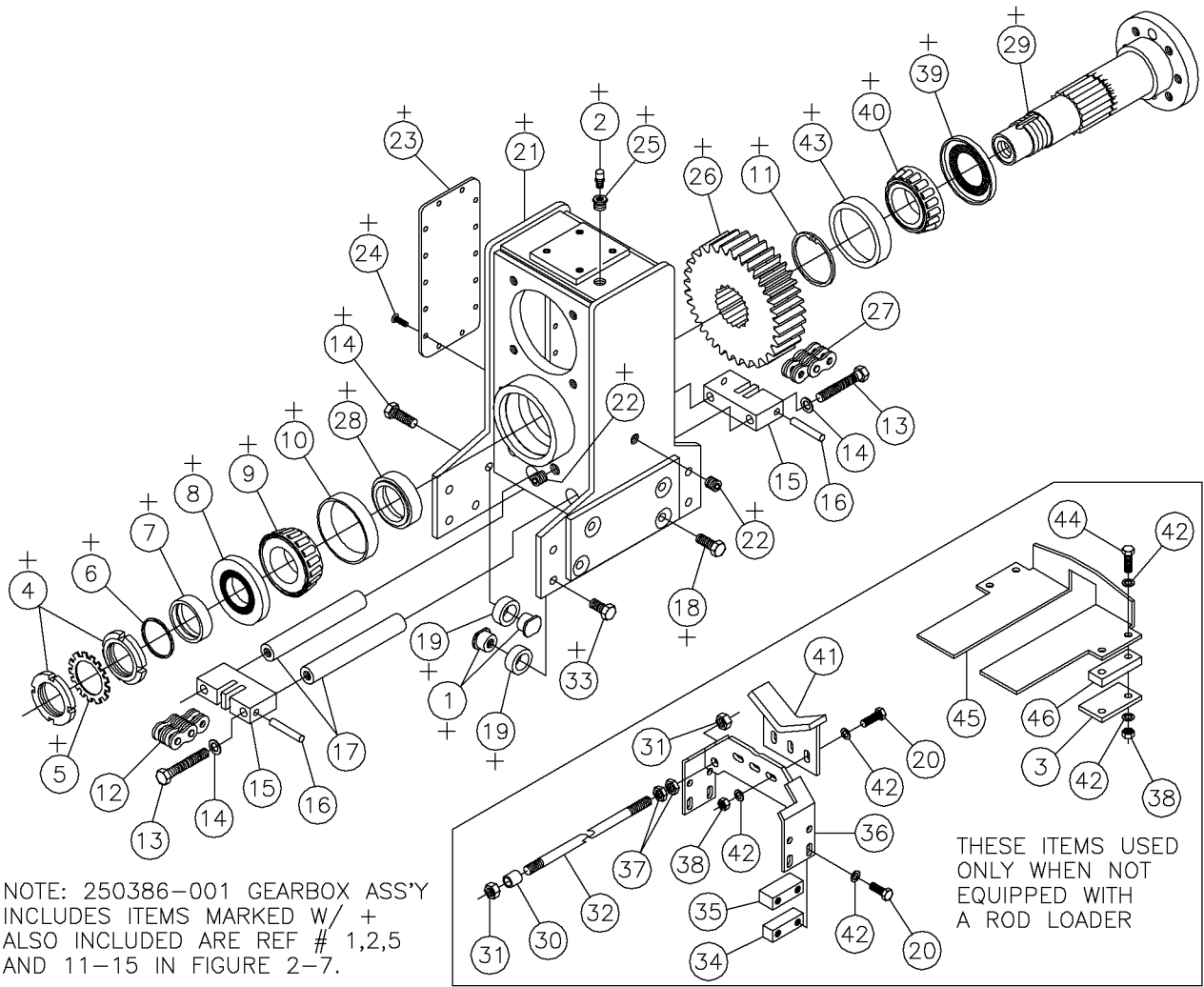
Fuel Tank (S/N 371-) Fig 1-10r03



Fuel Tank (S/N 371-) Fig 1-10r03

| REF. NO. | * | PART NO. | DESCRIPTION | QTY. | REMARKS |
|----------|---|---------------|-----------------------------------|------|--------------------------|
| | | Revision Date | July, 2002 | | Update In Parts List. |
| 1 | * | 287696001 | STRAP - 2.0 X 18.50 BLACK NYLON | 2 | |
| 2 | | 279374001 | BOLT-3/8-16X5 1/2 EYE | 2 | |
| 3 | | 279268001 | TANK-DIESEL FUEL PLASTIC | 1 | |
| 4 | | 279355001 | SENDER-FUEL LEVEL 10" | 1 | |
| 5 | | 279326001 | CAP-DIESEL FUEL W/ LOCK | 1 | Inc One Of Inc Ref No 18 |
| 6 | | 78171001 | FITTING-1/8M NPT X 5/16 BARB STR. | 1 | |
| 7 | | 1578001 | HOSE CLAMP-1/4" | 4 | |
| 8 | | 4247001 | HOSE-3/16" LP | A/R | P/N Qty Of 1 = 1 Foot |
| 9 | | 620001 | HOSE-5/16 FUEL LINE | A/R | P/N Qty Of 1 = 1 Foot |
| 10 | | 16390001 | FITTING-#1541 WEATHERHEAD | 1 | |
| 11 | | 4019001 | FITTING-3350X2 WTHR-HD | 2 | |
| 12 | | 4022001 | FITTING-3220X4X2 WTHR-HD | 2 | |
| 13 | | 282126001 | FITTING-1/4 BRASS HEX PLUG | 1 | |
| 14 | | 235713001 | WASHER-3/8 SAE HARD ZINC PLTD | 8 | |
| 15 | | 253727001 | BOLT-3/8-16X1 GR8 HEX ZINC PLT | 4 | |
| 16 | | 235725001 | NUT-3/8-16 GR 8 ZINC PLTD | 8 | |
| 17 | | 282111001 | MOUNT-FUEL TANK | 1 | |
| 18 | | 279326003 | FUEL CAP KEYS | 2 | |
| 19 | | 251538003 | GASKET-FUEL SENDER | 1 | |

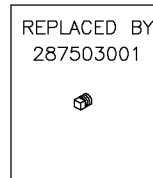
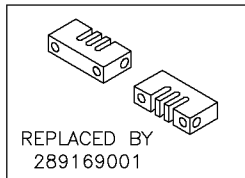
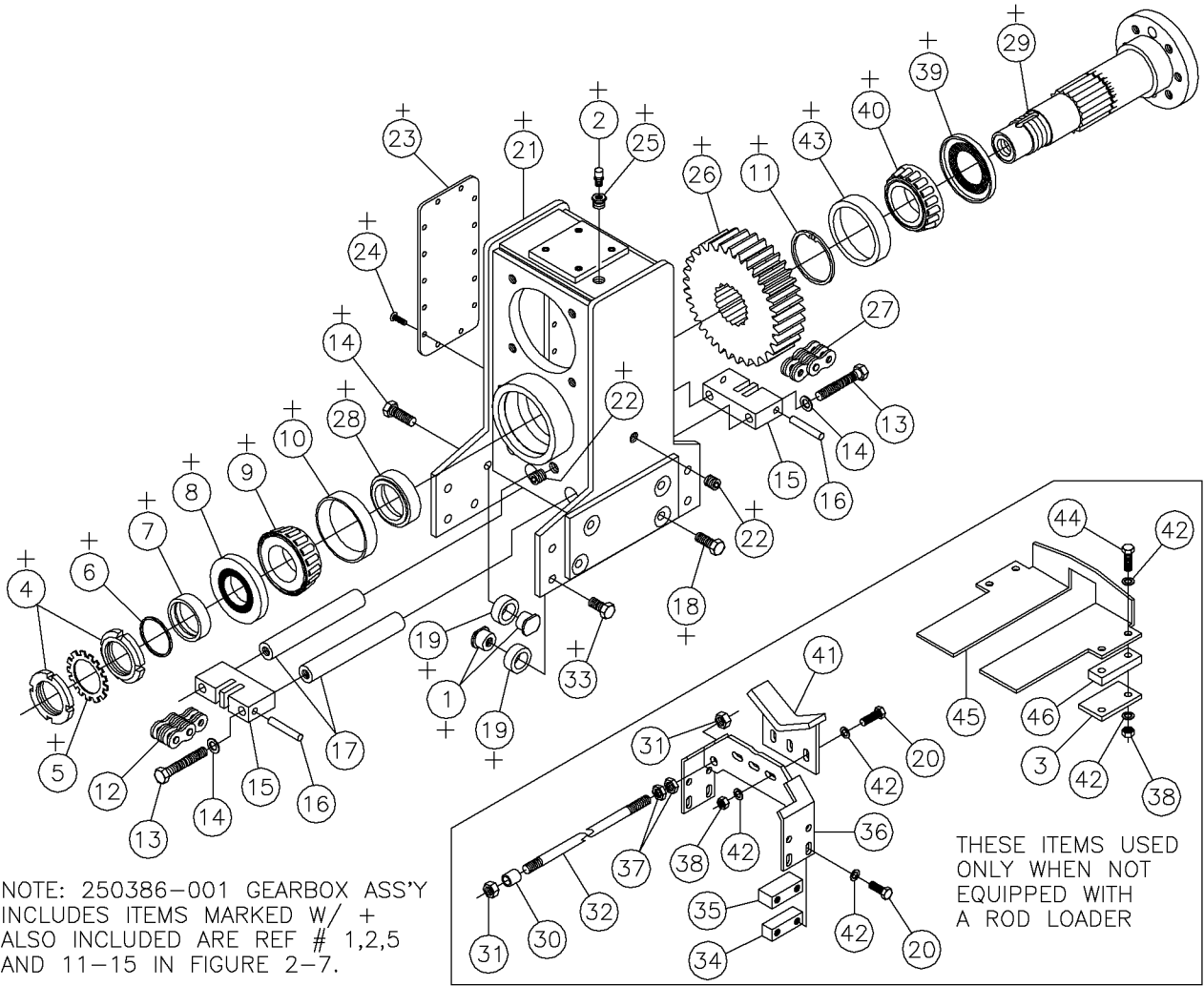
Rotation Gearbox Fig 1-11r07



Rotation Gearbox Fig 1-11r07

| REF. NO. | * | PART NO. | DESCRIPTION | QTY. | REMARKS |
|----------|---|---------------|---------------------------------|------|--------------------------------------|
| | | Revision Date | May, 2006 | | Update In Illustration & Parts List. |
| 1 | | 296271338 | BAR - MOUNT | 16 | |
| 2 | | 599001 | BREATHER VENT-1/8 NPT 131000 | 1 | |
| 3 | | 235674001 | MOUNT-LOADER STOP | 2 | |
| 4 | | 214200001 | LOCKNUT-SLOTTED 2"-18 NF | 2 | |
| 5 | | 94594007 | LOCKWASHER-2.844DIA.OVER TANGS | 1 | |
| 6 | | 214202001 | O-RING #138 | 1 | |
| 7 | | 229433001 | SLEEVE-SEAL | 1 | |
| 8 | | 214201001 | SEAL-#25100 | 1 | |
| 9 | | 1716097 | CONE-2 1/8" BRG. | 1 | |
| 10 | | 1715001 | TIMKEN CUP-2 1/4" #382A | 1 | |
| 11 | | 224896250 | SNAP RING-2 1/2" EXTERNAL | 1 | |
| 12 | | 96676254 | CHAIN-LEAF BL844 254 PITCHES | 1 | |
| | | 289182001 | CHAIN - LEAF BL844 255 PITCHES | 1 | |
| 13 | | 238241001 | BOLT 1/2"-13X 3 1/2" GR8 HEX | 4 | |
| 14 | | 235721001 | BOLT-1/2-13X1 1/2 GR8 ZINC PLT | 4 | S/N 356- |
| 15 | | 289169001 | ANCHOR - CHAIN BLOCK BL844 | 2 | |
| 16 | | 89371001 | PIN-BL866 ANCHOR 3/8"DIAX2.38 | 2 | Replaces 234688001 |
| 17 | | 215715001 | ROD-SLIDE | 2 | |
| 18 | | 235737001 | BOLT-1/2-13X1 1/4 GR8 ZINC PLT | 4 | S/N 356- |
| 19 | | 296271337 | ROLLER - GEARBOX | 16 | S/N 101-355 |
| 20 | | 235727001 | BOLT-3/8-16X1 GR8 HEX ZINC PLT | 11 | Replaces 240363001 |
| 21 | | 279328001 | CASE - GEARBOX | 1 | |
| 22 | | 287503001 | PLUG - 3/8" PIPE HOLLOW HEX | 2 | |
| 23 | | 229432001 | COVER-GEARBOX | 1 | |
| 24 | | 91966006 | CAP SCREW-1/4-20X3/4 FLT.SKTHD | 14 | |
| 25 | | 730037 | PIPE BUSHING-3/8 X 1/8 STEEL | 1 | |
| 26 | | 235609001 | GEAR 55 TOOTH | 1 | |
| 27 | | 296270870 | CHAIN - BL844LEAF - 171 PITCHES | 1 | |
| | | 102632001 | LINK - BL844 CONNECTOR | 1 | |
| 28 | | 235627001 | TUBE-GEAR SPACER | 1 | |
| 29 | | 235626001 | SHAFT-ROTATION | 1 | |
| 30 | | 235645001 | BEARING .691 PD X .5635 OD-3/4 | 4 | |
| | | | Figure Continued On Next Page | | |

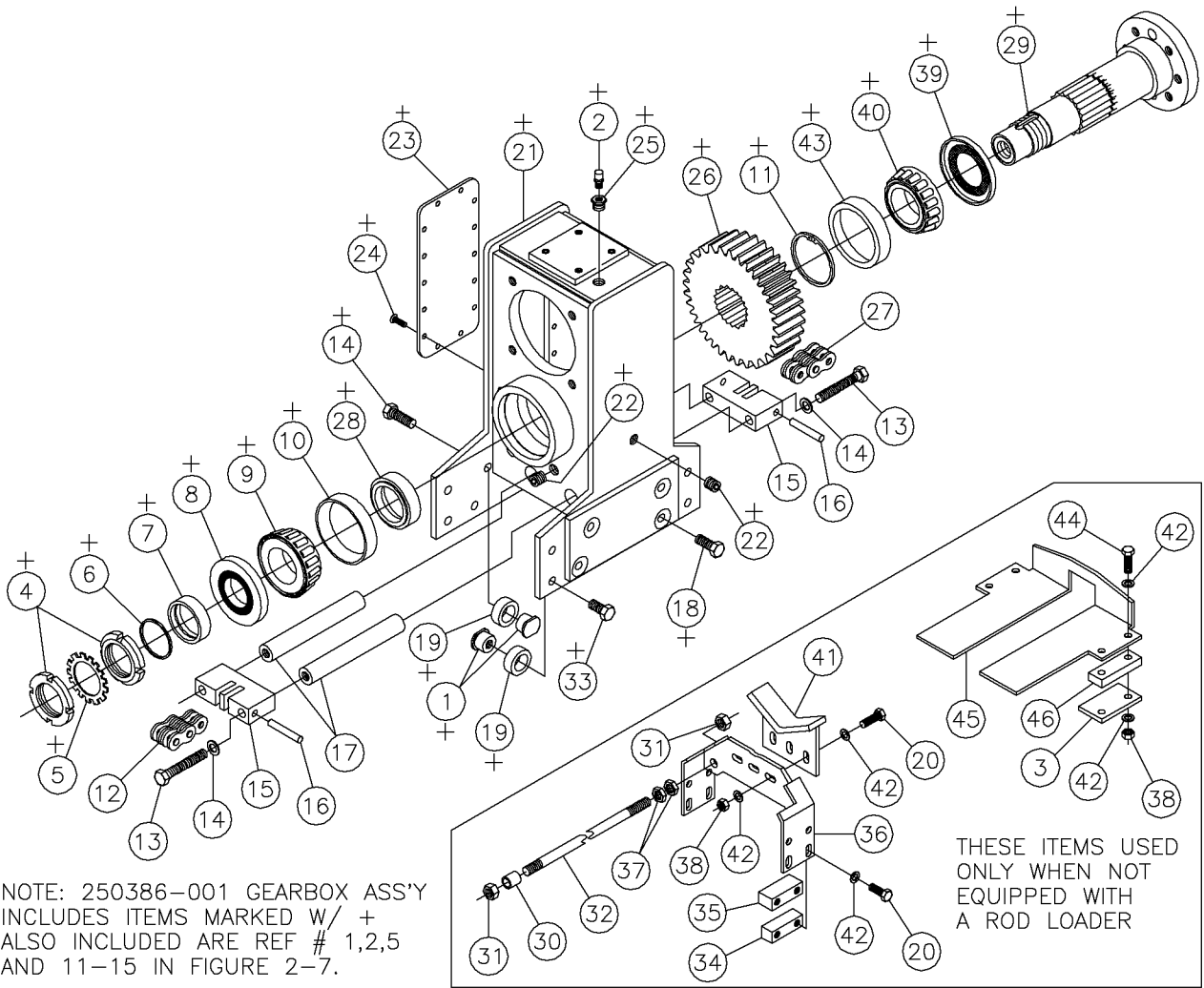
Rotation Gearbox (Continued) Fig 1-11r07



Rotation Gearbox (Continued) Fig 1-11r07

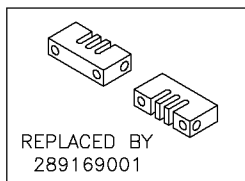
| REF. NO. | * | PART NO. | DESCRIPTION | QTY. | REMARKS |
|----------|---|---------------|---|------|---|
| | | Revision Date | May, 2006 | | Update In Illustration & Parts List. |
| 31 | | 75382001 | NUT-1/2-UNC GRADE 8 SLTL | 4 | |
| 32 | | 229451001 | BAR-LOADER GUIDE | 2 | |
| 33 | | 235729001 | SCREW-HCS-.50-13X1.00-GR8-YZ | 8 | S/N 101-355 |
| 34 | | 248075001 | BAR - LOWER SLIDE | 2 | |
| 35 | | 248076001 | BAR - TOP SLIDE | 2 | |
| 36 | | 248072001 | LOADER - ROD | 1 | |
| 37 | | 235722001 | REPLACED BY 75383001 | 4 | |
| 38 | | 235725001 | NUT - HEX - .38 - 16 - GR8 - YZ | 7 | |
| 39 | | 240266001 | SEAL-4.501ODX3.125IDX.438 WIDE | 1 | |
| 40 | | 4771061 | BRG. CONE 3994 | 1 | |
| 41 | | 235648001 | GUIDE-ROD | 1 | |
| 42 | | 235713001 | WASHER - FLATSTRL - .38 - .41 X .81 - .06-YA-A325 | 22 | |
| 43 | | 1715013 | TIMKEN CUP-2 1/2" #3920 | 1 | |
| 44 | | 235720001 | BOLT-3/8-16X1 3/4 6R8 ZINC PLT | 4 | |
| 45 | | 235672001 | PLATE LOADER STOP | 1 | |
| 46 | | 235673001 | PLATE-STOP SPACER | 2 | |
| | | | | | |
| | | 250386001 | GEARBOX ASSEMBLY | | INC. ITEMS MARKED W/+ IN THE ILLUSTRATION |

Rotation Gearbox Fig 1-11r06



NOTE: 250386-001 GEARBOX ASS'Y
INCLUDES ITEMS MARKED W/ +
ALSO INCLUDED ARE REF # 1,2,5
AND 11-15 IN FIGURE 2-7.

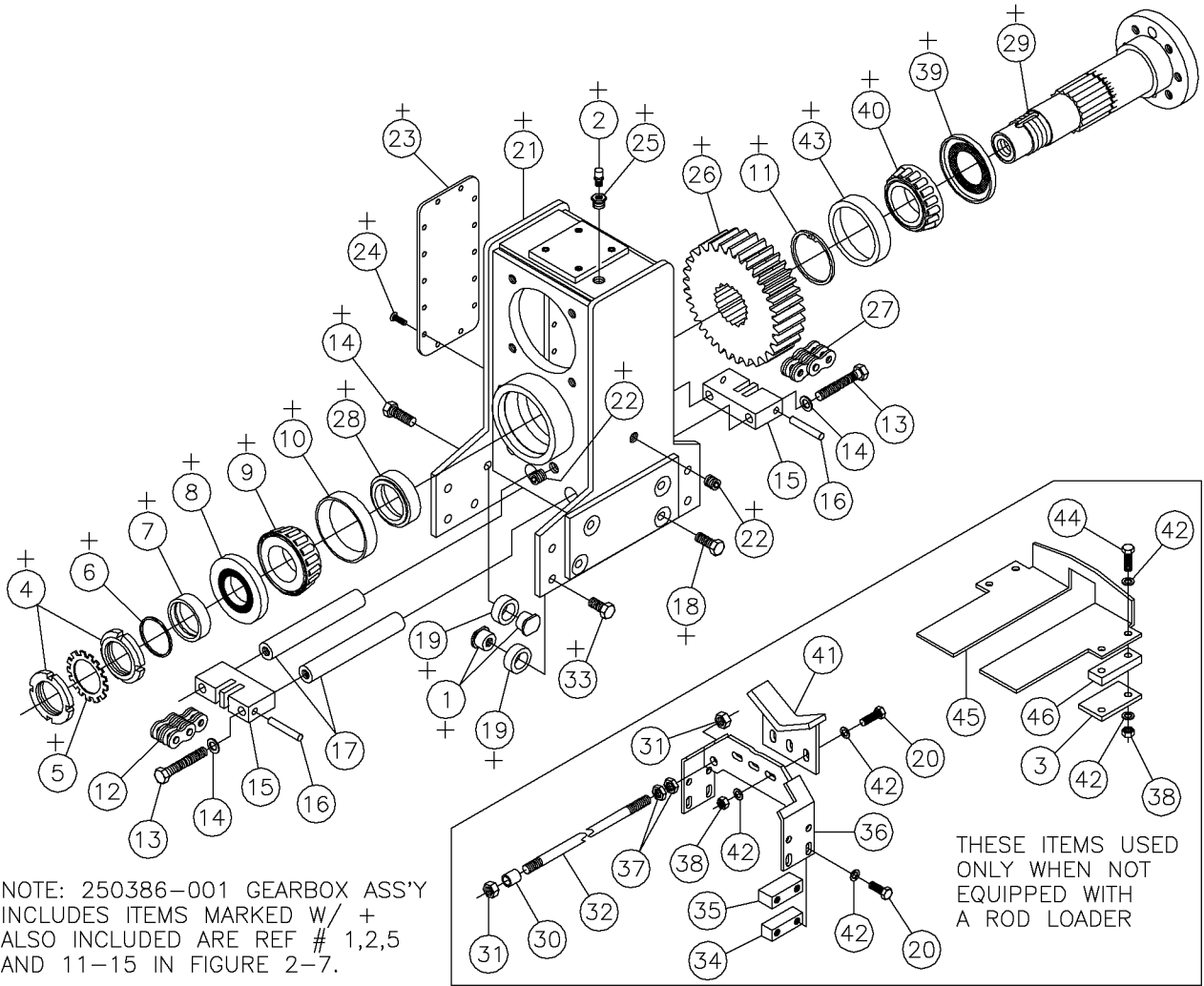
THESE ITEMS USED
ONLY WHEN NOT
EQUIPPED WITH
A ROD LOADER



Rotation Gearbox Fig 1-11r06

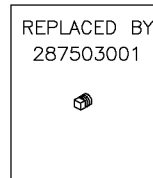
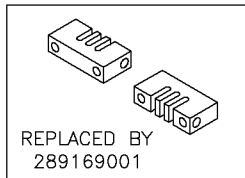
| REF. NO. | * | PART NO. | DESCRIPTION | QTY. | REMARKS |
|----------|---|---------------|---------------------------------|------|--------------------------------------|
| | | Revision Date | September, 2004 | | Update In Illustration & Parts List. |
| 1 | | 296271338 | BAR - MOUNT | 16 | |
| 2 | | 599001 | BREATHER VENT-1/8 NPT 131000 | 1 | |
| 3 | | 235674001 | MOUNT-LOADER STOP | 2 | |
| 4 | | 214200001 | LOCKNUT-SLOTTED 2"-18 NF | 2 | |
| 5 | | 94594007 | LOCKWASHER-2.844DIA.OVER TANGS | 1 | |
| 6 | | 214202001 | O-RING #138 | 1 | |
| 7 | | 229433001 | SLEEVE-SEAL | 1 | |
| 8 | | 214201001 | SEAL-#25100 | 1 | |
| 9 | | 1716097 | CONE-2 1/8" BRG. | 1 | |
| 10 | | 1715001 | TIMKEN CUP-2 1/4" #382A | 1 | |
| 11 | | 224896250 | SNAP RING-2 1/2" EXTERNAL | 1 | |
| 12 | | 98676254 | CHAIN - LEAF GL844 254 PITCHES | 1 | |
| | | 289182001 | CHAIN - LEAF BL844 255 PITCHES | 1 | |
| 13 | | 238241001 | BOLT 1/2"-13X 3 1/2" GR8 HEX | 4 | |
| 14 | | 235721001 | BOLT-1/2-13X1 1/2 GR8 ZINC PLT | 4 | S/N 356- |
| 15 | | 289169001 | ANCHOR - CHAIN BLOCK BL844 | 2 | |
| 16 | | 89371001 | PIN-BL866 ANCHOR 3/8"DIAX2.38 | 2 | Replaces 234688001 |
| 17 | | 215715001 | ROD-SLIDE | 2 | |
| 18 | | 235737001 | BOLT-1/2-13X1 1/4 GR8 ZINC PLT | 4 | S/N 356- |
| 19 | | 296271337 | ROLLER - GEARBOX | 16 | S/N 101-355 |
| 20 | | 235727001 | BOLT-3/8-16X1 GR8 HEX ZINC PLT | 11 | Replaces 240363001 |
| 21 | | 279328001 | CASE - GEARBOX | 1 | |
| 22 | | 287503001 | PLUG - 3/8" PIPE HOLLOW HEX | 2 | |
| 23 | | 229432001 | COVER-GEARBOX | 1 | |
| 24 | | 91966006 | CAP SCREW-1/4-20X3/4 FLT.SKTHD | 14 | |
| 25 | | 730037 | PIPE BUSHING-3/8 X 1/8 STEEL | 1 | |
| 26 | | 235609001 | GEAR 55 TOOTH | 1 | |
| 27 | | 296270870 | CHAIN - BL844LEAF - 171 PITCHES | 1 | |
| | | 102632001 | LINK - BL844 CONNECTOR | 1 | |
| 28 | | 235627001 | TUBE-GEAR SPACER | 1 | |
| 29 | | 235626001 | SHAFT-ROTATION | 1 | |
| 30 | | 235645001 | BEARING .691 PD X .5635 OD-3/4 | 4 | |
| | | | Figure Continued On Next Page | | |

Rotation Gearbox (Continued) Fig 1-11r06



NOTE: 250386-001 GEARBOX ASS'Y
INCLUDES ITEMS MARKED W/ +
ALSO INCLUDED ARE REF # 1,2,5
AND 11-15 IN FIGURE 2-7.

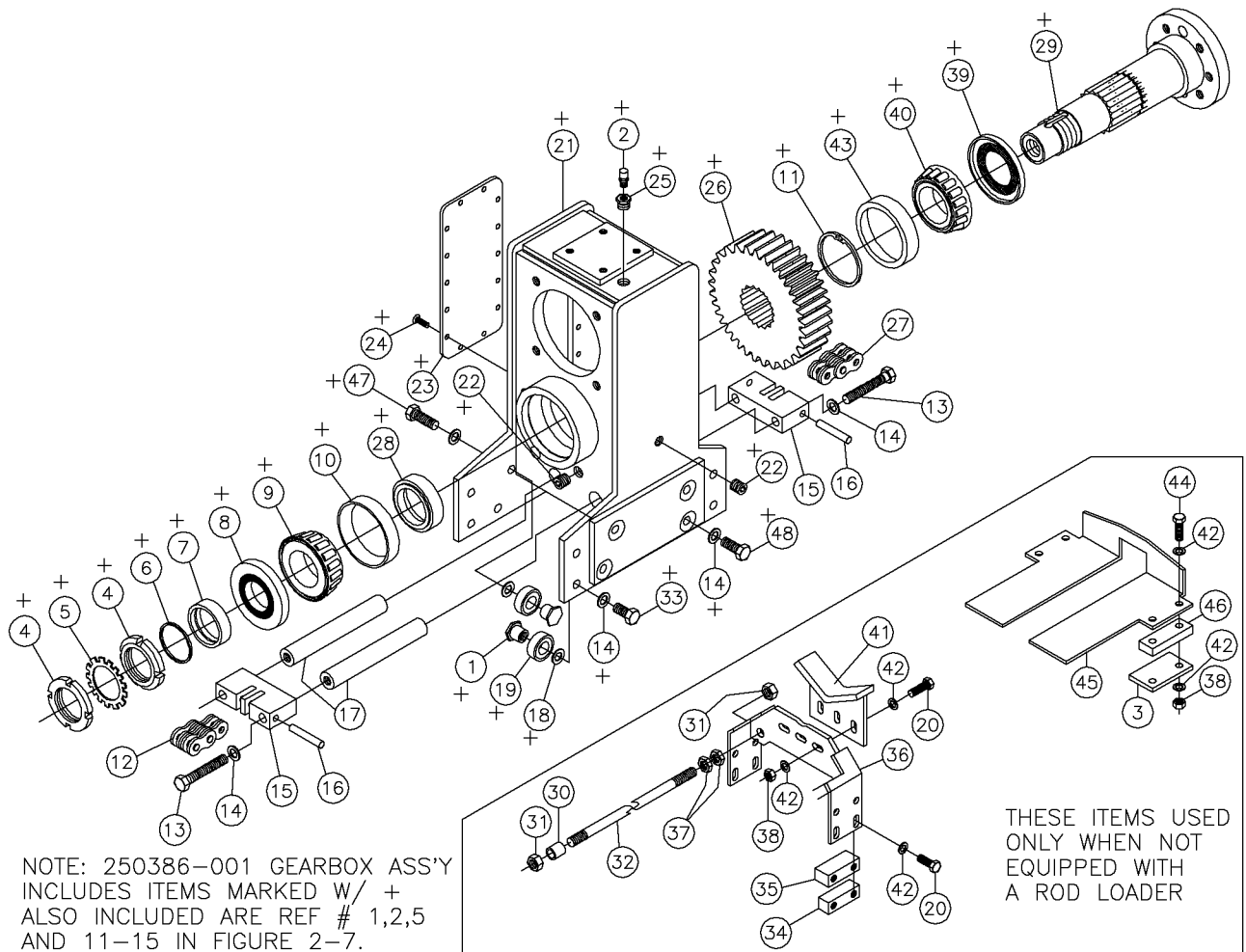
THESE ITEMS USED
ONLY WHEN NOT
EQUIPPED WITH
A ROD LOADER



Rotation Gearbox (Continued) Fig 1-11r06

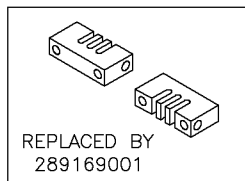
| REF. NO. | * | PART NO. | DESCRIPTION | QTY. | REMARKS |
|----------|---|---------------|---|------|---|
| | | Revision Date | September, | | Update In Illustration & Parts List. |
| 31 | | 75382001 | NUT-1/2-UNC GRADE 8 SLTL | 4 | |
| 32 | | 229451001 | BAR-LOADER GUIDE | 2 | |
| 33 | | 235729001 | SCREW-HCS-.50-13X1.00-GR8-YZ | 8 | S/N 101-355 |
| 34 | | 248075001 | BAR - LOWER SLIDE | 2 | |
| 35 | | 248076001 | BAR - TOP SLIDE | 2 | |
| 36 | | 248072001 | LOADER - ROD | 1 | |
| 37 | | 235722001 | REPLACED BY 75383001 | 4 | |
| 38 | | 235725001 | NUT - HEX - .38 - 16 - GR8 - YZ | 7 | |
| 39 | | 240266001 | SEAL-4.501ODX3.125IDX.438 WIDE | 1 | |
| 40 | | 4771061 | BRG. CONE 3994 | 1 | |
| 41 | | 235648001 | GUIDE-ROD | 1 | |
| 42 | | 235713001 | WASHER - FLATSTRL - .38 - .41 X .81 - .06-YA-A325 | 22 | |
| 43 | | 1715013 | TIMKEN CUP-2 1/2" #3920 | 1 | |
| 44 | | 235720001 | BOLT-3/8-16X1 3/4 6R8 ZINC PLT | 4 | |
| 45 | | 235672001 | PLATE LOADER STOP | 1 | |
| 46 | | 235673001 | PLATE-STOP SPACER | 2 | |
| | | | | | |
| | | 250386001 | GEARBOX ASSEMBLY | | INC. ITEMS MARKED W/+ IN THE ILLUSTRATION |

Rotation Gearbox Fig 1-11r05



NOTE: 250386-001 GEARBOX ASS'Y INCLUDES ITEMS MARKED W/ + ALSO INCLUDED ARE REF # 1,2,5 AND 11-15 IN FIGURE 2-7.

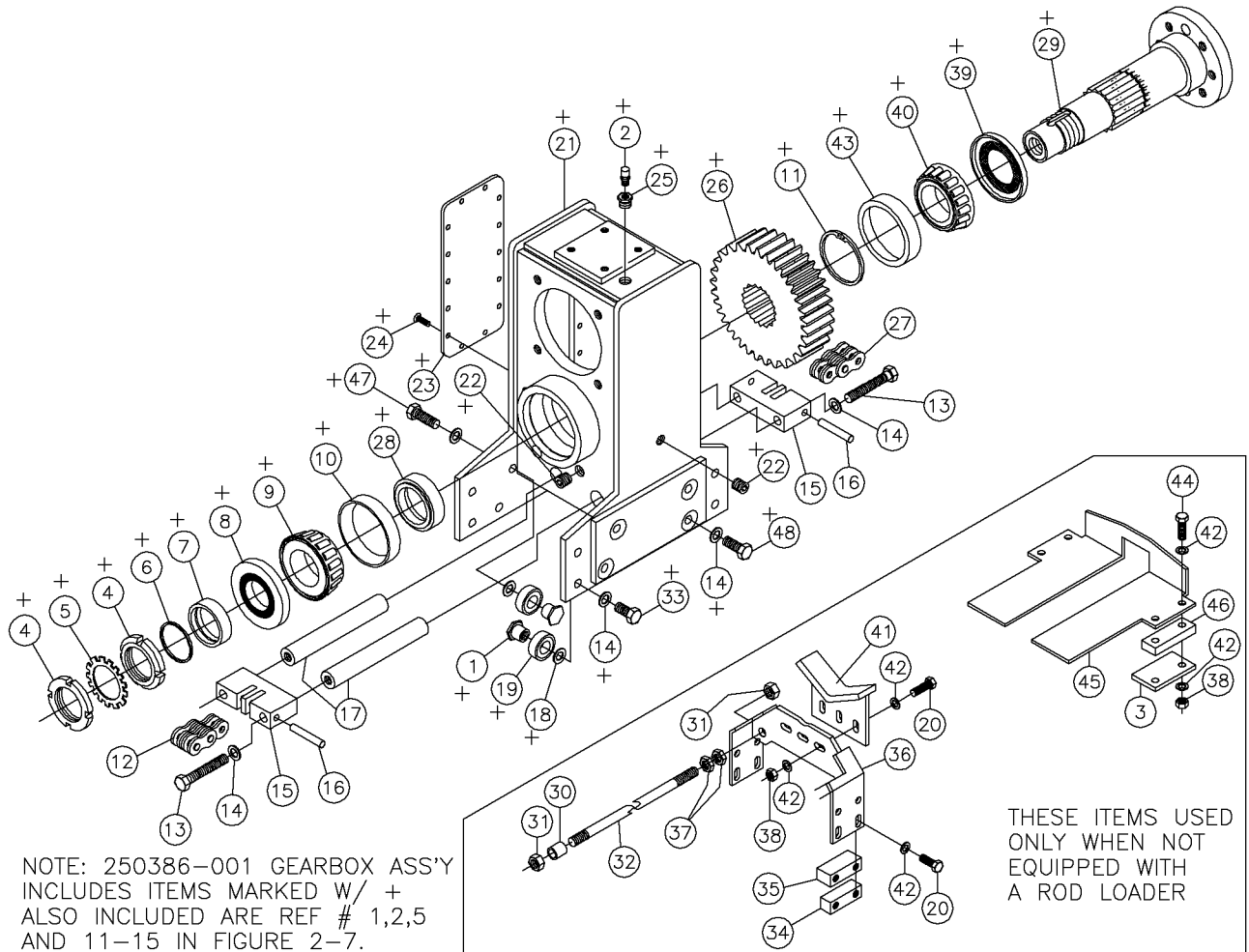
THESE ITEMS USED ONLY WHEN NOT EQUIPPED WITH A ROD LOADER



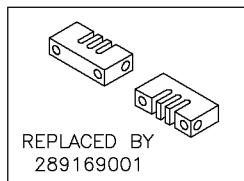
Rotation Gearbox Fig 1-11r05

| REF. NO. | * | PART NO. | DESCRIPTION | QTY. | REMARKS |
|----------|---|---------------|----------------------------------|------|--------------------------------------|
| | | Revision Date | July, 2002 | | Update In Illustration & Parts List. |
| 1 | | 248071001 | MOUNT-BEARING | 16 | |
| 2 | | 599001 | BREATHER VENT-1/8 NPT 131000 | 1 | |
| 3 | | 235674001 | MOUNT-LOADER STOP | 2 | |
| 4 | | 214200001 | LOCKNUT-SLOTTED 2"-18 NF | 2 | |
| 5 | | 94594007 | LOCKWASHER-2.844DIA.OVER TANGS | 1 | |
| 6 | | 214202001 | O-RING | 1 | |
| 7 | | 229433001 | SLEEVE-SEAL | 1 | |
| 8 | | 214201001 | SEAL | 1 | |
| 9 | | 1716097 | CONE-2 1/8" BRG. | 1 | |
| 10 | | 1715001 | TIMKEN CUP-2 1/4" | 1 | |
| 11 | | 224896250 | SNAP RING-2 1/2" EXTERNAL | 1 | |
| 12 | | 98676254 | CHAIN-LEAF GL844 254 PITCHES | 1 | |
| 12 | * | 289182001 | CHAIN - LEAF BL844 255 PITCHES | 1 | |
| 13 | | 238241001 | BOLT-1/2-13 X 3 1/2 GR 8 HEX | 4 | |
| 14 | | 485025 | WASHER-1/2 FLAT-HARDENED-ZINC | 20 | |
| 15 | * | 289169001 | ANCHOR - CHAIN BLOCK BL844 | 2 | |
| 16 | | 89371001 | PIN-BL866 ANCHOR 3/8"DIA X 2.38 | 2 | |
| 17 | | 215715001 | PIN-FLOATING HD | 2 | Replaces 234688001 |
| 18 | | 4542005 | WSHR-7/8OD X 1/2ID X 18 GA MB | 16 | |
| 19 | | 248108001 | BEARING 1.500 ODX.750ID NEEDLE | 16 | S/N 101-355 |
| 20 | | 235727001 | BOLT-3/8-16 X 1 GR8 HEX ZINC PLT | 11 | |
| 21 | | 279328001 | CASE-GEARBOX | 1 | Replaces 240363001 |
| 22 | * | 287503001 | PLUG - 3/8" PIPE HOLLOW HEX | 2 | |
| 23 | | 229432001 | COVER-GEARBOX | 1 | |
| 24 | | 91966006 | CAP SCREW-1/4-20 X 3/4 FLT.SKTHD | 14 | |
| 25 | | 730037 | 3/8" X 1/8" HEX BUSHING STEEL | 1 | |
| 26 | | 235609001 | GEAR 55 TOOTH | 1 | |
| 27 | * | 289181001 | CHAIN - BL844 LEAF - 169 PITCHES | 1 | |
| 27 | | 102632001 | LINK-BL844 CONNECTOR | 1 | |
| 28 | | 235627001 | TUBE-GEAR SPACER | 1 | |
| 29 | | 235626001 | SHAFT-ROTATION | 1 | |
| 30 | | 235645001 | BEARING.691 PD X .5635 OD-3/4 | 4 | |
| | | | Figure Continued On Next Page | | |

Rotation Gearbox (Continued) Fig 1-11r05



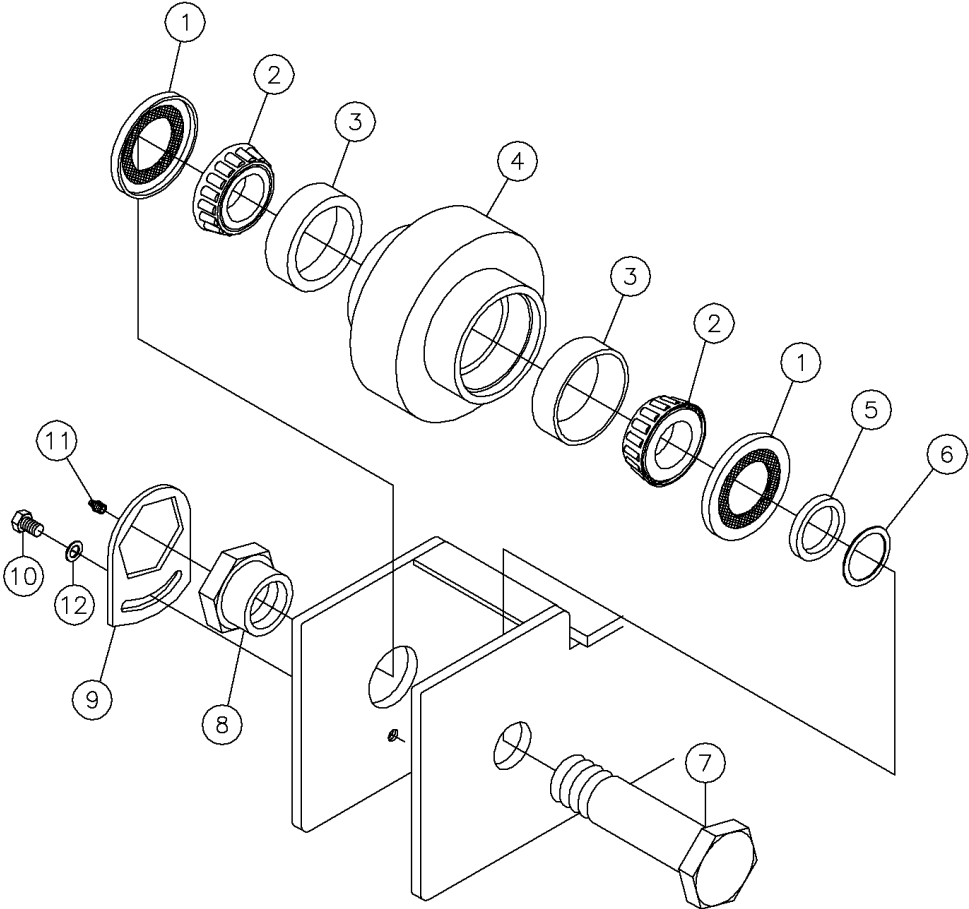
NOTE: 250386-001 GEARBOX ASS'Y INCLUDES ITEMS MARKED W/ + ALSO INCLUDED ARE REF # 1,2,5 AND 11-15 IN FIGURE 2-7.



Rotation Gearbox (Continued) Fig 1-11r05

| REF NO. | * | PART NO. | DESCRIPTION | QTY. | REMARKS |
|---------|---|-----------|--|------|--|
| 31 | | 75382001 | NUT-1/2-UNC GRADE 8 SLTL | 4 | |
| 32 | | 229451001 | BAR-LOADER GUIDE | 2 | |
| 33 | | 235729001 | BOLT-1/2-13 X 1 GR8 HEX ZINC PLT | 8 | S/N 101-355 |
| 34 | | 248075001 | BAR-LOWER SLIDE | 2 | |
| 35 | | 248076001 | BAR-TOP SLIDE | 2 | |
| 36 | | 248072001 | LOADER-ROD | 1 | |
| 37 | | 235722001 | NUT-1/2-13 GR8 JAM ZINC PLTD | 4 | |
| 38 | | 235725001 | NUT-3/8-16 GR8 ZINC PLTD | 7 | |
| 39 | | 240266001 | SEAL-4.501OD X 3.125ID X .438 WIDE | 1 | |
| 40 | | 4771061 | BRG. CONE 3994 | 1 | |
| 41 | | 235648001 | GUIDE-ROD | 1 | |
| 42 | | 235713001 | WASHER-3/8 SAE HARD ZINC PLTD | 22 | |
| 43 | | 1715013 | TIMKEN CUP-2 1/2" | 1 | |
| 44 | | 235720001 | BOLT-3/8-16 X 1 3/4 6R8 ZINC PLT | 4 | |
| 45 | | 235672001 | PLATE-LOADER STOP | 1 | |
| 46 | | 235673001 | PLATE-STOP SPACER | 2 | |
| 47 | | 235721001 | BOLT-1/2-13 X 1 1/2 GR 8 HEX ZINC PLTD | 4 | S/N 356- |
| 48 | | 235737001 | BOLT-1/2-13 X 1 1/4 GR 8 HEX ZINC | 4 | S/N 356- |
| | | | | | |
| | | 250386001 | GEARBOX ASSY, | | Inc Items Marked W/+ In The Illustration |

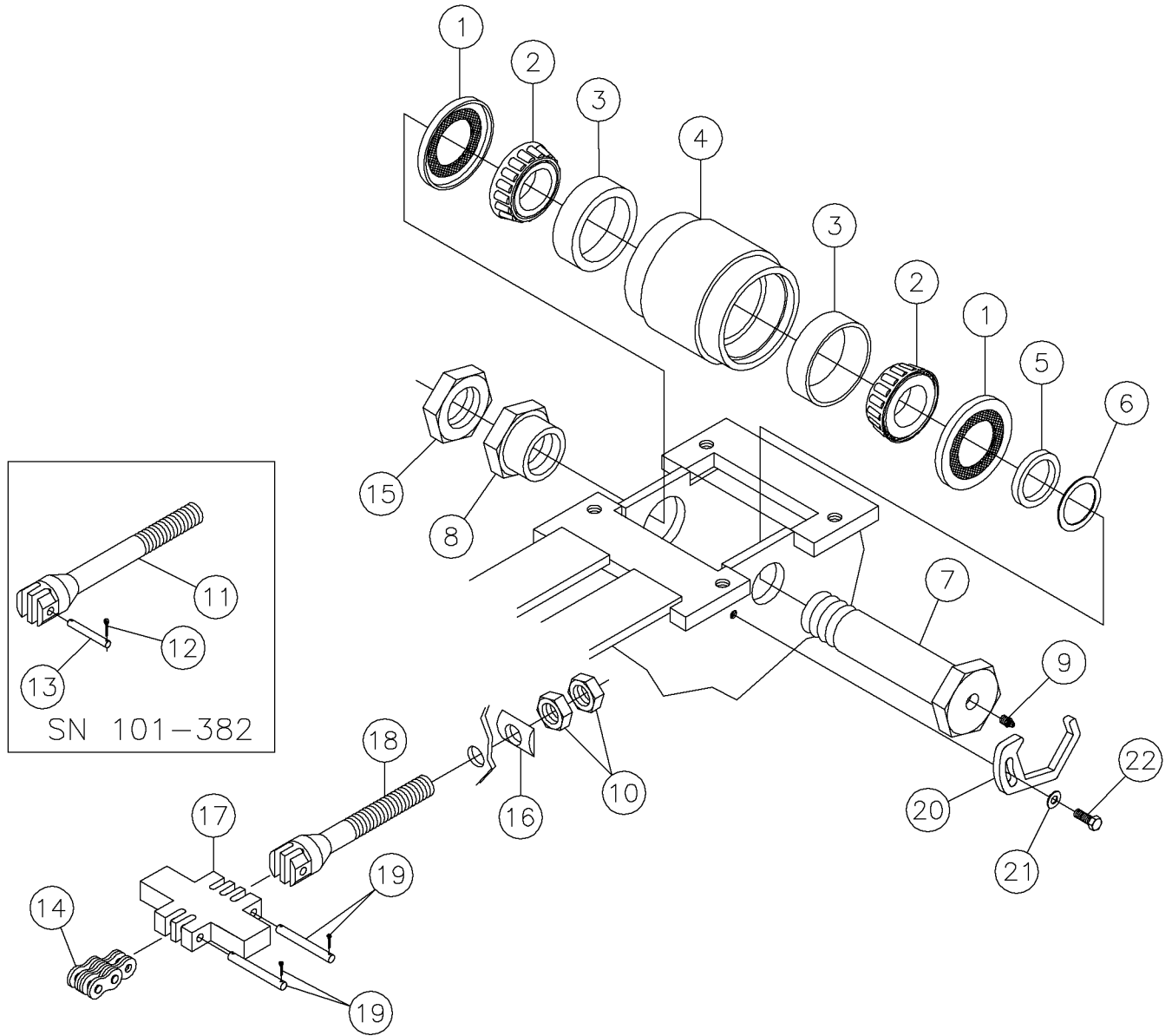
Roller - Upper Fig 1-12r01



Roller - Upper Fig 1-12r01

| REF. NO. | * | PART NO. | DESCRIPTION | QTY. | REMARKS |
|----------|---|---------------|-------------------------------|------|-----------------------|
| | | Revision Date | February, 1999 | | |
| 1 | | 85752001 | SEAL | 2 | |
| 2 | | 1716085 | CONE-BEARING | 2 | |
| 3 | | 1715063 | CUP-BEARING 45220 | 2 | |
| 4 | | 234573003 | ROLLER ASSY-UPPER | 1 | Inc Ref No 3 |
| 5 | | 213595001 | TUBE-SPACER | 1 | |
| 6 | * | 483019 | WASHER-2 1/2X2X14 GA M.B. | AR | P/N Qty Of 1 = 1 Each |
| 7 | | 234578003 | PIN ASSEMBLY ROLLER | 1 | Inc Ref No 11 |
| 8 | | 234577001 | NUT-TIGHTENER | 1 | |
| 9 | | 234687001 | LOCK-NUT | 1 | |
| 10 | | 235728001 | BOLT-1/2-13X3/4 GR8 ZINC PLTD | 1 | |
| 11 | | 586001 | ZERK-1/8" ST NPT GREASE | 1 | |
| 12 | | 485025 | WASHER-1/2 FLAT-HARDENED-ZINC | 1 | |

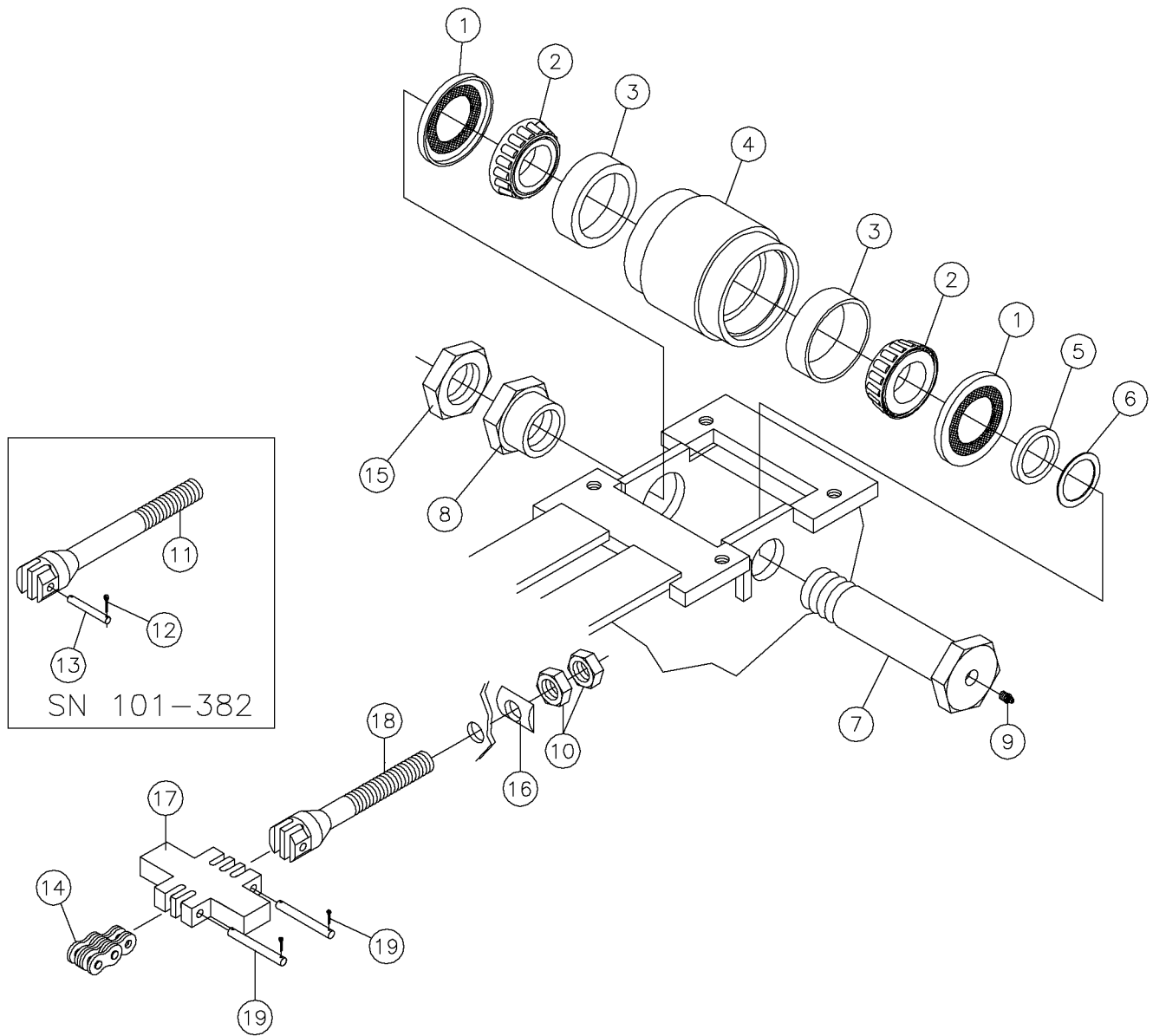
Roller - Lower Fig 1-13r04



Roller - Lower Fig 1-13r04

| REF. NO. | * | PART NO. | DESCRIPTION | QTY. | REMARKS |
|----------|---|---------------|---|------|--------------------------------------|
| | | Revision Date | September, 2004 | | Update In Illustration & Parts List. |
| 1 | | 85752001 | SEAL | 2 | |
| 2 | | 1716085 | CONE-BEARING | 2 | |
| 3 | | 1715063 | CUP-BEARING 45220 | 2 | |
| 4 | | 234574003 | ROLLER ASSY-LOWER | 1 | Inc Ref No 3 |
| 5 | | 213595001 | TUBE-SPACER | 1 | |
| 6 | | 483019 | WASHER-2 1/2X2X14 GA M.B. | A/R | P/N Qty Of 1 = 1 Each |
| 7 | | 235622003 | PIN ASSY-ROLLER | 1 | Inc Ref No 9 |
| 8 | | 234577001 | NUT-TIGHTENER | 1 | |
| 9 | | 586001 | ZERK-1/8" ST NPT GREASE | 1 | |
| 10 | | 229131001 | NUT-1-14 UNF HEX JAM | 2 | |
| 11 | | 245151001 | BOLT - CHAIN TIGHTENER | 1 | S/N 101-382 |
| 12 | | 510005 | COTTER PIN-3/32" X 3/4" | 4 | |
| 13 | | 89371001 | PIN-BL866 ANCHOR 3/8"DIAX2.38 | 1 | S/N 101-382 |
| 14 | | 289181001 | CHAIN - BL844 LEAF - 169 PITCHES | 1 | |
| | | 102632001 | LINK-BL844 CONNECTOR | 1 | |
| 15 | | 235666001 | NUT-2-12UNF JAM | 1 | |
| 16 | | 245152001 | PLATE - ROCKER ADJ. WASHER | 1 | |
| 17 | | 283511001 | PLATE - ANCHOR | 1 | S/N 383- |
| 18 | | 283512001 | BOLT - CHAIN TIGHTENER | 1 | S/N 383- |
| 19 | | 89349001 | PIN-ANCHOR BL866 3/8 D1AX3.44 | 2 | S/N 383- |
| 20 | | 296265763 | PLATE - NUT KEEPER | 1 | |
| 21 | | 235713001 | WASHER - FLATSTRL - .38 - .41 X .81 - .06-YA-A325 | 1 | |
| 22 | | 235727001 | BOLT-3/8-16X1 GR8 HEX ZINC PLT | 1 | |

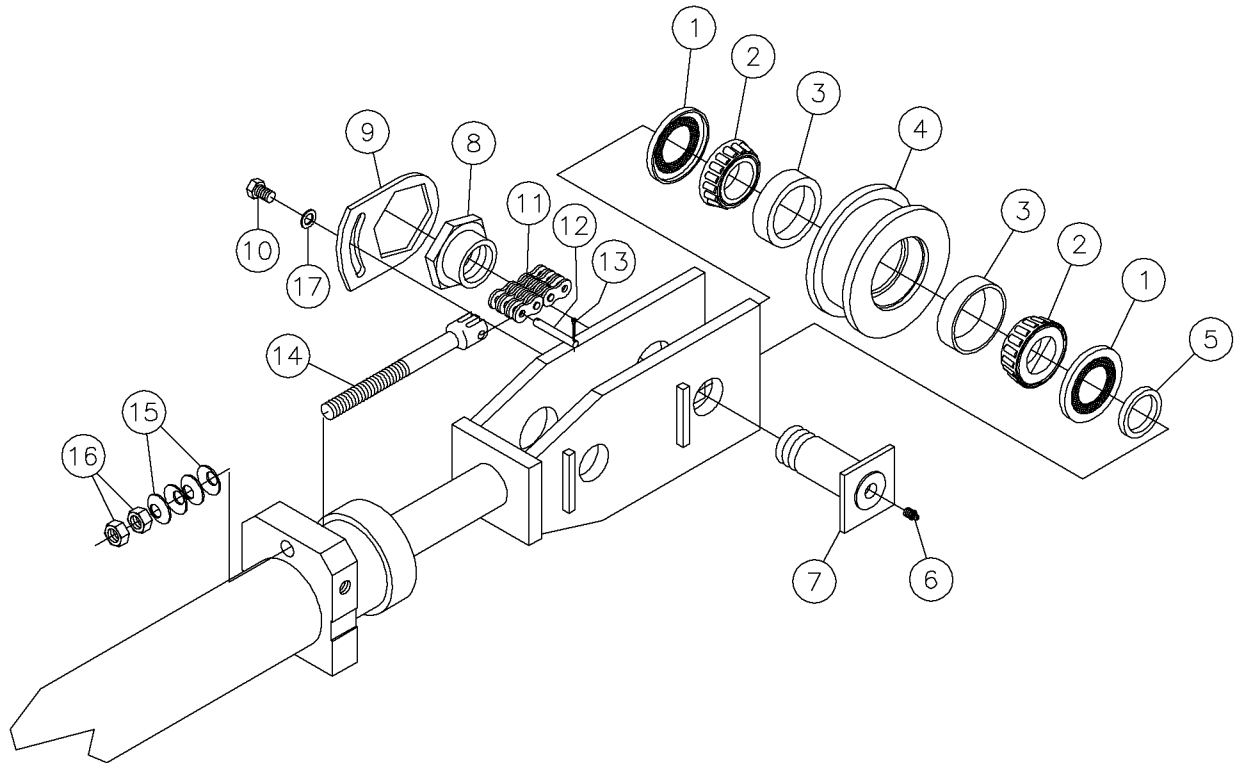
Roller - Lower Fig 1-13r03



Roller - Lower Fig 1-13r03

| REF. NO. | * | PART NO. | DESCRIPTION | QTY. | REMARKS |
|----------|---|---------------|----------------------------------|------|--------------------------------------|
| | | Revision Date | July, 2002 | | Update In Illustration & Parts List. |
| 1 | | 85752001 | SEAL | 2 | |
| 2 | | 1716085 | CONE-BEARING | 2 | |
| 3 | | 1715063 | CUP-BEARING 45220 | 2 | |
| 4 | | 234574003 | ROLLER ASSY-LOWER | 1 | Inc Ref No 3 |
| 5 | | 213595001 | TUBE-SPACER | 1 | |
| 6 | | 483019 | WASHER-2 1/2X2X14 GA M.B. | A/R | P/N Qty Of 1 = 1 Each |
| 7 | | 235622003 | PIN ASSY-ROLLER | 1 | Inc Ref No 9 |
| 8 | | 234577001 | NUT-TIGHTENER | 1 | |
| 9 | | 586001 | ZERK-1/8" ST NPT GREASE | 1 | |
| 10 | | 229131001 | NUT-1-14 UNF HEX JAM | 2 | |
| 11 | | 245151001 | BOLT - CHAIN TIGHTENER | 1 | S/N 101-382 |
| 12 | | 510005 | COTTER PIN-3/32" X 3/4" | 4 | |
| 13 | | 89371001 | PIN-BL866 ANCHOR 3/8" DIA X 2.38 | 1 | S/N 101-382 |
| 14 | * | 289181001 | CHAIN - BL844 LEAF - 169 PITCHES | 1 | |
| 14 | | 102632001 | LINK-BL844 CONNECTOR | 1 | |
| 15 | | 235666001 | NUT-2-12UNF JAM | 1 | |
| 16 | | 245152001 | PLATE - ROCKER ADJ. WASHER | 1 | |
| 17 | | 283511001 | ANCHOR PLATE | 1 | S/N 383- |
| 18 | | 283512001 | BOLT-CHAIN TIGHTENER | 1 | S/N 383- |
| 19 | | 89349001 | PIN-ACHOR BL866 3/8 DIA X 3.44 | 2 | S/N 383- |

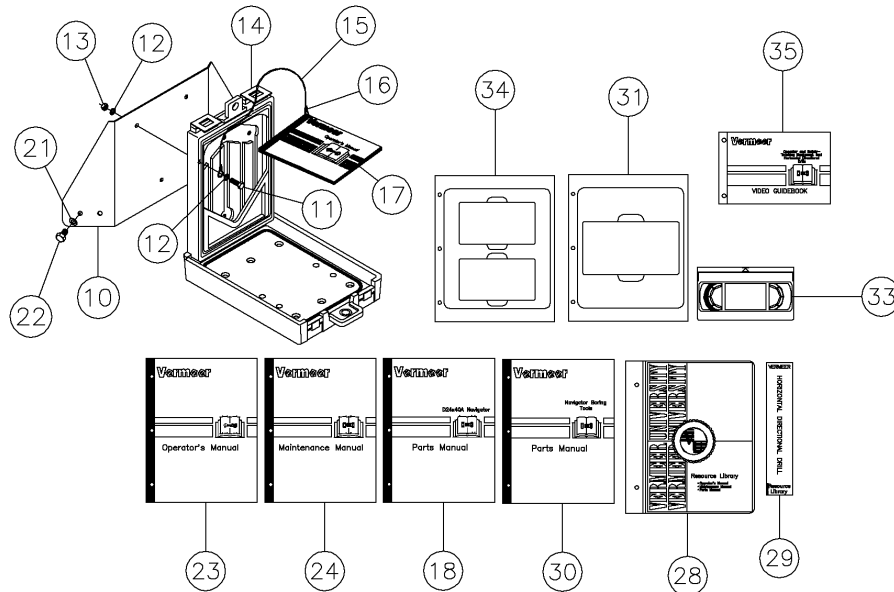
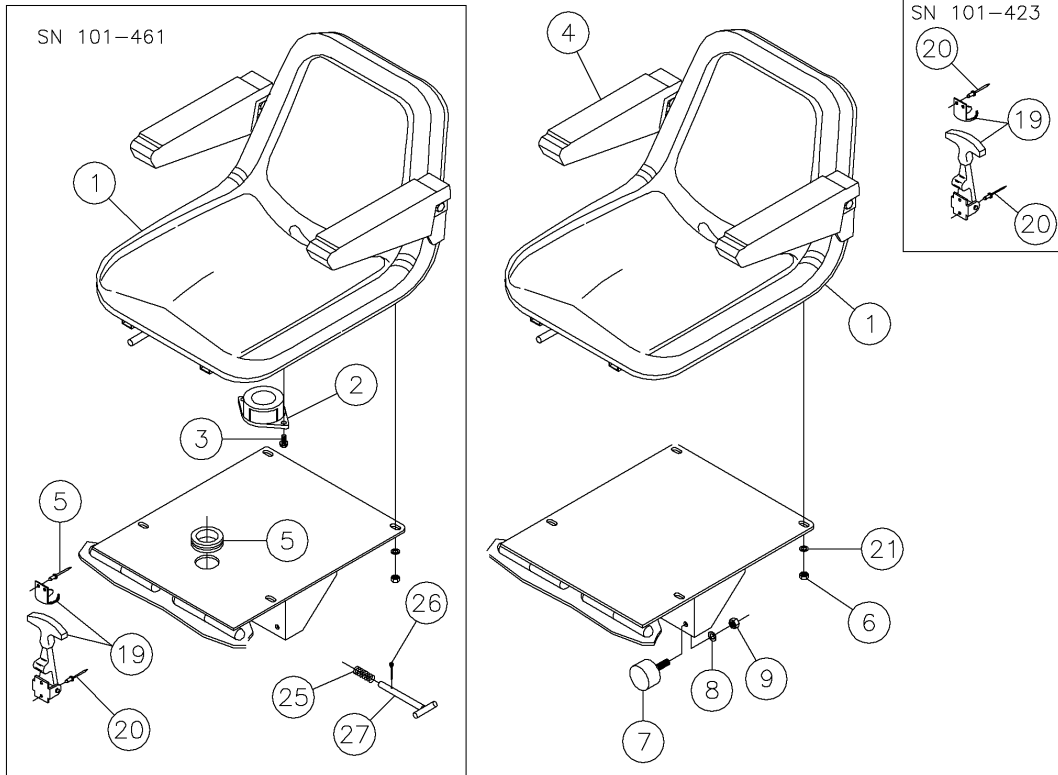
Roller - Thrust Cylinder Fig 1-14r01



Roller - Thrust Cylinder Fig 1-14r01

| REF. NO. | * | PART NO. | DESCRIPTION | QTY. | REMARKS |
|----------|---|---------------|----------------------------------|------|--------------------------------------|
| | | Revision Date | July, 2002 | | Update In Illustration & Parts List. |
| 1 | | 235619001 | SEAL-3.445 OD X .25 WIDE | 4 | |
| 2 | | 1716023 | TIMKEN CONE 1 3/4" | 4 | |
| 3 | | 1715023 | TIMKEN CUP 1 3/4" | 4 | |
| 4 | | 234580003 | ROLLER ASSY-THRUST | 2 | Inc Two Of Ref No 3 |
| 5 | | 234582001 | SPACER-BEARING | 2 | |
| 6 | | 586001 | ZERK-1/8" ST NPT GREASE | 2 | |
| 7 | | 234583003 | BOLT ASSY-THRUST | 2 | Inc Ref No 6 |
| 8 | | 234581001 | NUT-TIGHTENER | 2 | |
| 9 | | 234687001 | LOCK-NUT | 2 | |
| 10 | | 235728001 | BOLT-1/2-13X3/4 GR8 ZINC PLTD | 2 | |
| 11 | * | 289182001 | CHAIN - LEAF BL844 255 PITCHES | 1 | |
| | | 102632001 | LINK-BL844 CONNECTOR | 1 | |
| 12 | | 89371001 | PIN-BL866 ANCHOR 3/8" DIA X 2.38 | 1 | |
| 13 | | 510005 | COTTER PIN-3/32" X 3/4" | 2 | |
| 14 | | 235539001 | BOLT-THRUST CHAIN | 1 | |
| 15 | | 217033001 | WASHER-BELLEVILLE 1.5 ODX3/4ID | 22 | |
| 16 | | 94974001 | NUT-3/4-16NF GRADE 8 HEX | 2 | |
| 17 | | 485025 | WASHER-1/2 FLAT-HARDENED-ZINC | 1 | |

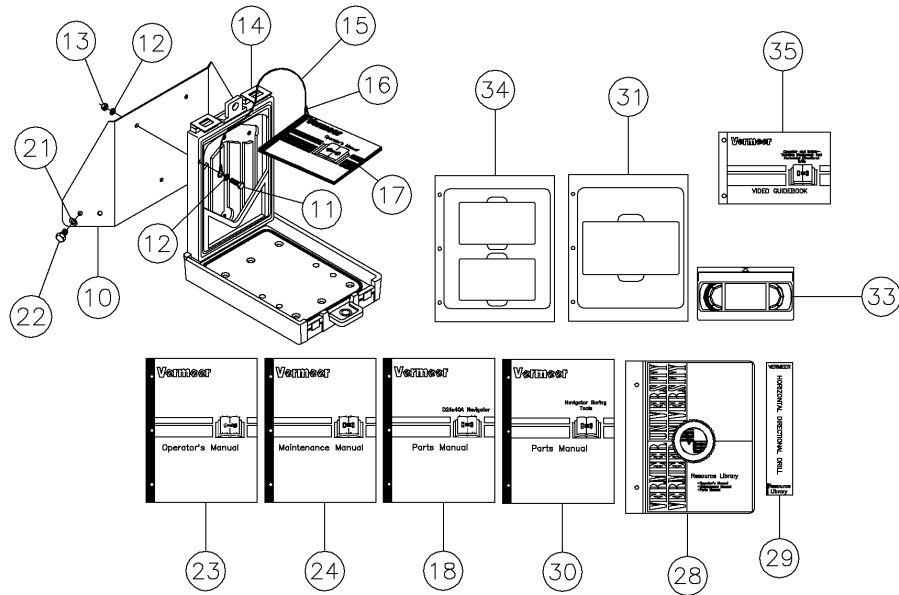
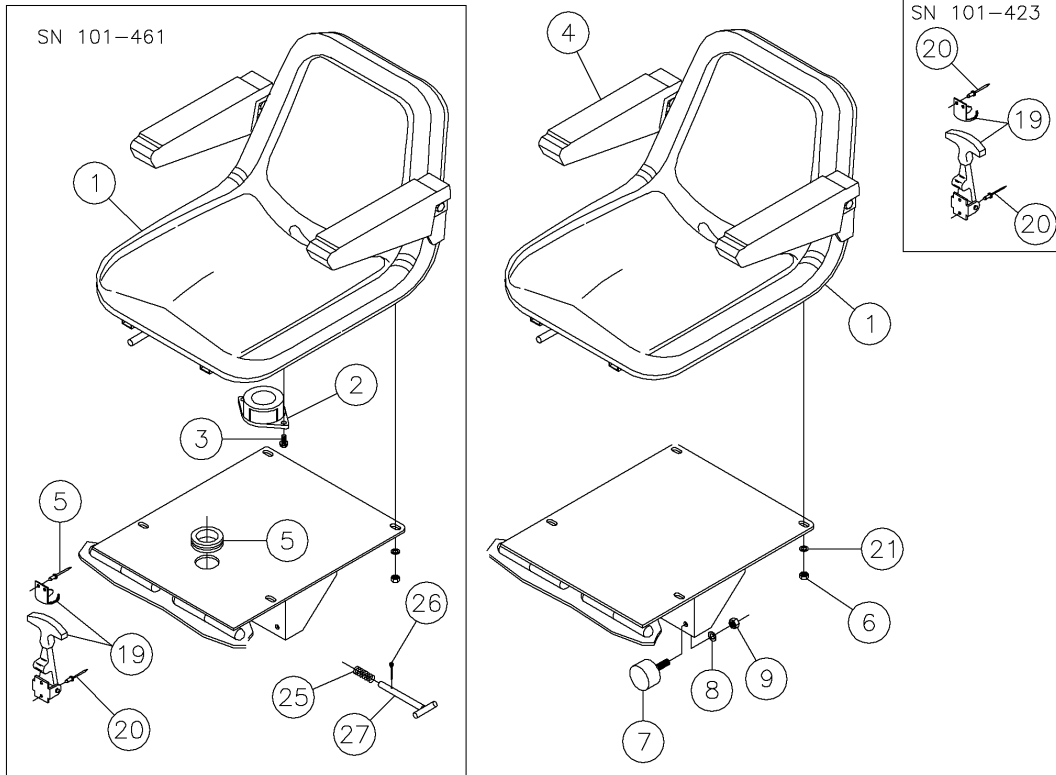
Seat/Literature Box Fig 1-15r07



Seat/Literature Box Fig 1-15r07

| REF. NO. | * | PART NO. | DESCRIPTION | QTY. | REMARKS |
|----------|---|---------------|---|------|-------------------------------------|
| | | Revision Date | May, 2005 | | Update In Parts List. |
| 1 | | 219186001 | SEAT-MILSCO OLYMPIC | 1 | S/N 101-436 |
| | | 279361001 | SEAT - MILSCO W/ ONE FOAM PC. | 1 | S/N 436-461 |
| | | 283540001 | SEAT - 1 PC FOAM - NO SWITCH, MILSCO | 1 | S/N 462- |
| 2 | | 219186003 | SWITCH-SAFETY | 1 | S/N 101-435 |
| | | 279361003 | SWITCH-SAFETY (SEALED) | 1 | S/N 436-461 |
| 3 | | 4473004 | 1/4-20X1/2 FLGE WHIZ BOLT | 2 | S/N 101-461 |
| 4 | | 220238001 | KIT-MILSCO OLYMPIC ARM REST | 1 | Optional, Include Mounting Hardware |
| 5 | | 902402001 | GROMMET-1 1/2"RUBBER | 1 | S/N 101-461 |
| 6 | | 235741001 | NUT - HEX - .31 - 18 - GR8 -YZ | 4 | |
| 7 | | 122474001 | MOUNT-SANDWICH SINGLE STUD | 2 | |
| 8 | | 235713001 | WASHER - FLATSTRL - .38 - .41 X .81 - .06-YA-A325 | 2 | |
| 9 | | 235725001 | NUT - HEX - .38 - 16 - GR8 - YZ | 2 | |
| 10 | | 235683001 | MOUNT-MANUAL BOX | 1 | |
| 11 | | 235733001 | BOLT-1/4-20X1/2 GR8 ZINC PLTD | 3 | |
| 12 | | 235716001 | WASHER - FLATSTRL - .25 - .28 X .63 - .06 - CZ | 3 | |
| 13 | | 405001 | NUT-1/4 NC FLG WHIZ LOCK | 3 | |
| 14 | | 142410001 | CASE-6"X9 XCX X1" OPERATOR MANUAL | 1 | |
| 15 | | 142954001 | CABLE-.068DIA.NYLON CT.-36.00 | 1 | |
| 16 | | 142423001 | CRIMP-CABLE (FOR.068DIA.CABLE) | 2 | |
| 17 | | 296278317 | MANUAL ASSY-D16X20A OM MINI CABLED 3.00 | 1 | Includes Ref. 15 & 16 |
| 18 | | 105400077 | PM-D16 X 20A (EN) 1ST | 1 | |
| 19 | | 1864001 | LATCH-FLEXIBLE DRAW LATCH | 1 | |
| | | 13257001 | LATCH-RUBBER | 1 | |
| 20 | | 547007 | POP RIVET-SS68D | 4 | |
| 21 | | 235714001 | WASHER - FLATSTRL - .31 - .34 X .69 - .06-YZ-A325 | 6 | |
| 22 | | 235740001 | BOLT-5/16-18X1/2 GR8 ZINC PLT | 4 | |
| 23 | | 105400W52 | OM-16X20A (EN) o3.00 | 1 | |
| 24 | | 105400W51 | MM - D16X20A (EN) m3.00 | 1 | |
| 25 | | 1803011 | SPRING-COMP.9/16X1 3/8X15 GA. | 1 | S/N 101-461 |
| 26 | | 510005 | COTTER PIN-3/32" X 3/4" | 1 | S/N 101-461 |
| 27 | | 278009001 | HANDLE-SEAT LATCHING | 1 | S/N 101-461 |
| 28 | | 144144001 | NOTEBOOK BINDER - 2"-3 XCX | 2 | |
| 29 | | 7000B222 | DECAL -HORIZONTAL DRILL - RESOURCE LIB. | 2 | |
| 30 | | 105400T09 | PM - NAVIGATOR BORING TOOLS p4.00 | 1 | |
| 31 | | 144145001 | VHS - HOLDER | 1 | |
| 32 | | 105400M37 | NAVIGATOR BORING TOOLS P.M. | 1 | |
| 33 | | 251803001 | VIDEO - DRILL ROD OPERATION AND MAINTENANCE | 1 | |
| | | 296264887 | VIDEO-OPERATIONS/SAFETY HDD&TRKNG EQUIP | 1 | |
| | | 296264888 | VIDEO - REMOTE LOCKOUT | 1 | |
| 34 | | 151815001 | VHS HOLDER DOUBLE | 1 | |
| 35 | | 105400T90 | HDD OPERATIONS & SAFETY VIDEO GUIDEBOOK | 1 | |

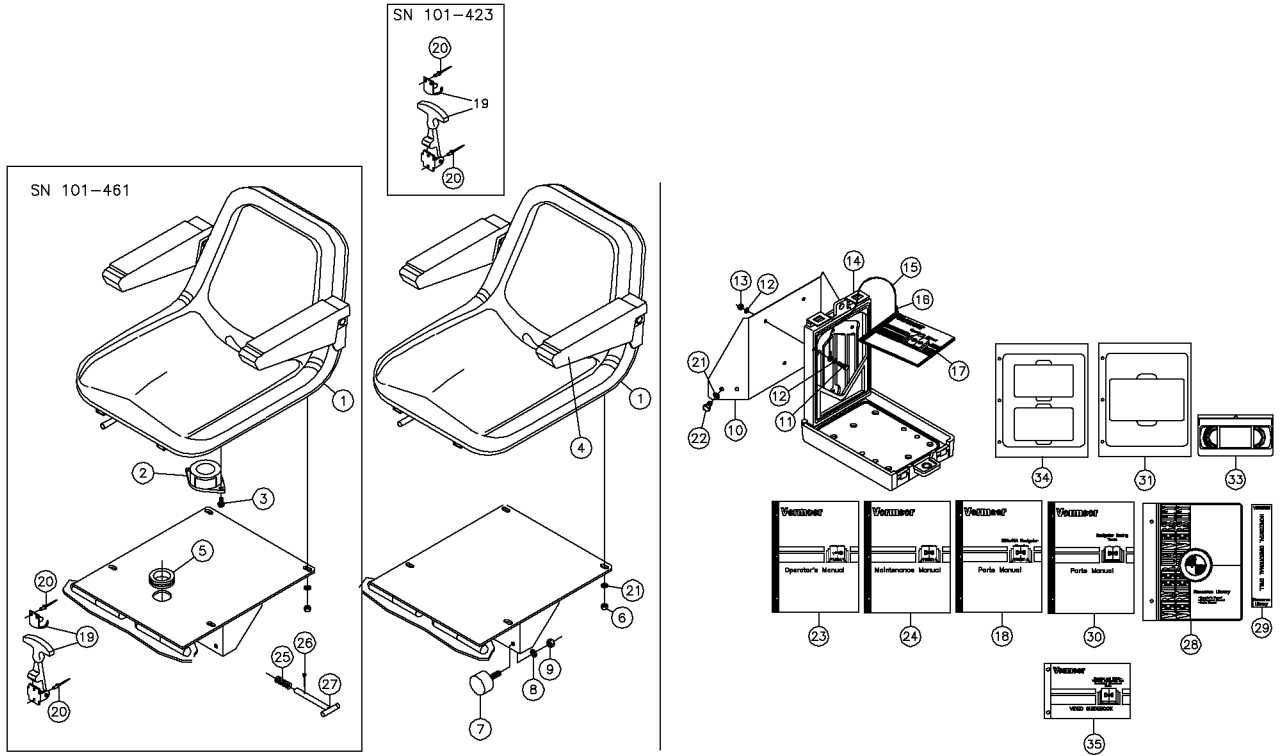
Seat/Literature Box Fig 1-15r06



Seat/Literature Box Fig 1-15r06

| REF. NO. | * | PART NO. | DESCRIPTION | QTY. | REMARKS |
|----------|---|---------------|---|------|--------------------------------------|
| | | Revision Date | September, 2004 | | Update In Illustration & Parts List. |
| 1 | | 219186001 | SEAT-MILSCO OLYMPIC | 1 | S/N 101-436 |
| | | 279361001 | SEAT - MILSCO W/ ONE FOAM PC. | 1 | S/N 436-461 |
| | | 283540001 | SEAT - 1 PC FOAM - NO SWITCH, MILSCO | 1 | S/N 462- |
| 2 | | 219185003 | SWITCH-SAFETY | 1 | S/N 101-435 |
| | | 279361003 | SWITCH-SAFETY (SEALED) | 1 | S/N 436-461 |
| 3 | | 4473004 | 1/4-20X1/2 FLGE WHIZ BOLT | 2 | S/N 101-461 |
| 4 | | 220238001 | KIT-MILSCO OLYMPIC ARM REST | 1 | Optional, Include Mounting Harware |
| 5 | | 902402001 | GROMMET-1 1/2"RUBBER | 1 | S/N 101-461 |
| 6 | | 235741001 | NUT - HEX - .31 - 18 - GR8 -YZ | 4 | |
| 7 | | 122474001 | MOUNT-SANDWICH SINGLE STUD | 2 | |
| 8 | | 235713001 | WASHER - FLATSTRL - .38 - .41 X .81 - .06-YA-A325 | 2 | |
| 9 | | 235725001 | NUT - HEX - .38 - 16 - GR8 - YZ | 2 | |
| 10 | | 235683001 | MOUNT-MANUAL BOX | 1 | |
| 11 | | 235733001 | BOLT-1/4-20X1/2 GR8 ZINC PLTD | 3 | |
| 12 | | 235716001 | WASHER - FLATSTRL - .25 - .28 X .63 - .06 - CZ | 3 | |
| 13 | | 405001 | NUT-1/4 NC FLG WHIZ LOCK | 3 | |
| 14 | | 142410001 | CASE-6"X9 XCX X1" OPERATOR MANUAL | 1 | |
| 15 | | 142954001 | CABLE-.068DIA.NYLON CT.-36.00 | 1 | |
| 16 | | 142423001 | CRIMP-CABLE (FOR.068DIA.CABLE) | 2 | |
| 17 | | 296278317 | MANUAL ASSY-D16X20A OM MINI CABLED 3.00 | 1 | Includes Ref. 15 & 16 |
| 18 | | 105400077 | PM-D16 X 20A (EN) 1ST | 1 | |
| 19 | | 1864001 | LATCH-FLEXIBLE DRAW LATCH | 1 | |
| | | 13257001 | LATCH-RUBBER | 1 | |
| 20 | | 547007 | POP RIVET-SS68D | 4 | |
| 21 | | 235714001 | WASHER - FLATSTRL - .31 - .34 X .69 - .06-YZ-A325 | 6 | |
| 22 | | 235740001 | BOLT-5/16-18X1/2 GR8 ZINC PLT | 4 | |
| 23 | | 105400W52 | OM-16X20A (EN) o3.00 | 1 | |
| 24 | | 105400W51 | MM - D16X20A (EN) m3.00 | 1 | |
| 25 | | 1803011 | SPRING-COMP.9/16X1 3/8X15 GA. | 1 | S/N 101-461 |
| 26 | | 510005 | COTTER PIN-3/32" X 3/4" | 1 | S/N 101-461 |
| 27 | | 278009001 | HANDLE-SEAT LATCHING | 1 | S/N 101-461 |
| 28 | | 144144001 | NOTEBOOK BINDER - 2"-3 XCX | 2 | |
| 29 | | 7000B222 | DECAL -HORIZONTAL DRILL - RESOURCE LIB. | 2 | |
| 30 | | 105400T09 | PM - NAVIGATOR BORING TOOLS p4.00 | 1 | |
| 31 | | 144145001 | VHS - HOLDER | 1 | |
| 32 | | 105400M37 | NAVIGATOR BORING TOOLS P.M. | 1 | |
| 33 | | 251803001 | VIDEO - DRILL ROD OPERATION AND MAINTENANCE | 1 | |
| | | 296264887 | VIDEO-OPERATIONS/SAFETY HDD&TRKNG EQUIP | 1 | |
| | | 296264888 | VIDEO - REMOTE LOCKOUT | 1 | |
| 34 | | 151815001 | VHS HOLDER DOUBLE | 1 | |
| 35 | | 105400T90 | HDD OPERATIONS & SAFETY VIDEO GUIDEBOOK | 1 | |

Seat/Literature Box Fig 1-15r05

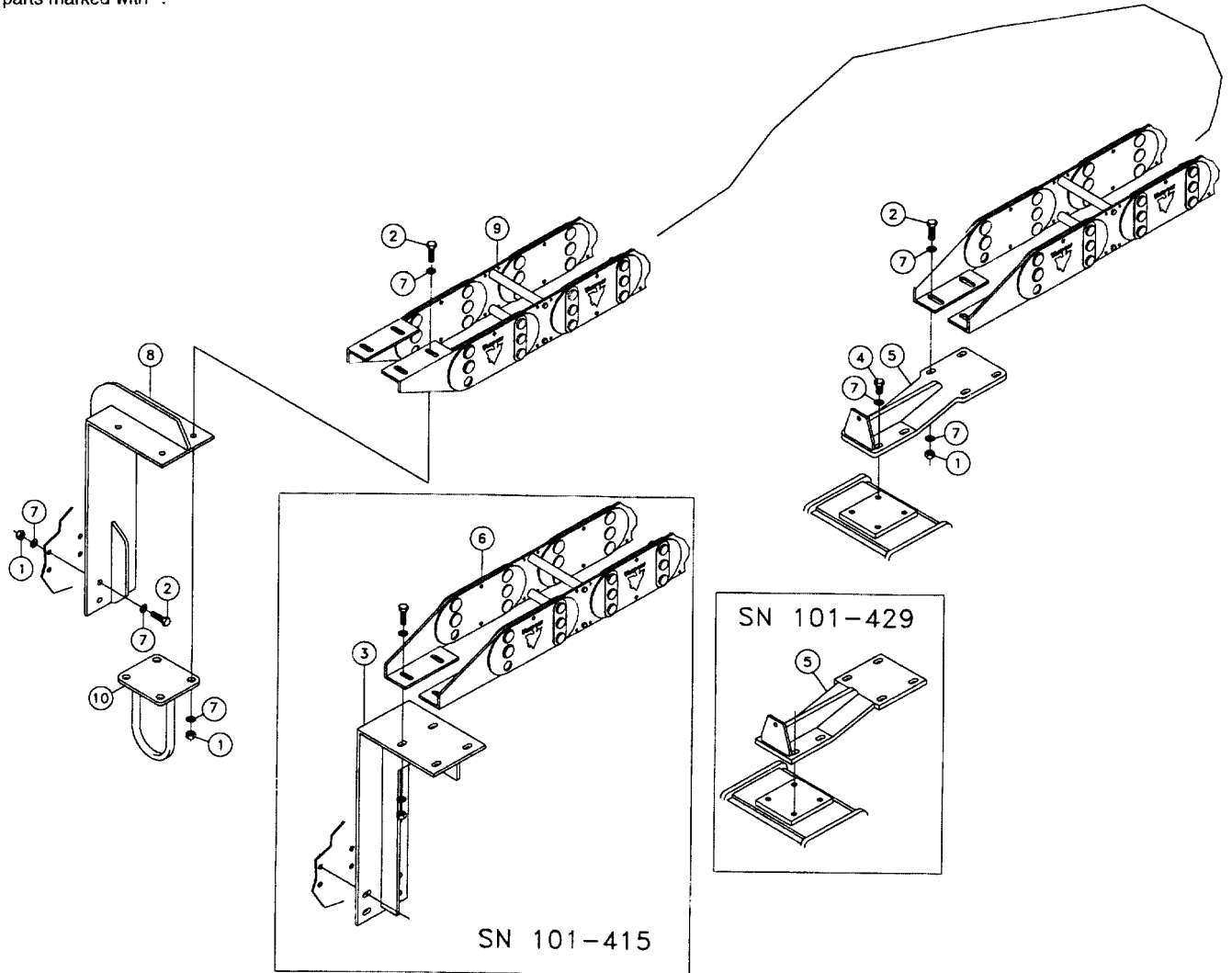


Seat/Literature Box Fig 1-15r05

| REF. NO. | * | PART NO. | DESCRIPTION | QTY. | REMARKS |
|----------|---|---------------|--|------|--------------------------------------|
| | | Revision Date | July, 2002 | | Update In Illustration & Parts List. |
| 1 | | 219186001 | SEAT-MILSCO OLYMPIC | 1 | S/N 101-436 |
| | | 279361001 | SEAT-MILSCO W/ ONE FOAM PC | 1 | S/N 436-461 |
| | | 283540001 | SEAT-1 PC FOAM-NO SWITCH, MILSCO | 1 | S/N 462- |
| 2 | | 219185003 | SWITCH-SAFETY | 1 | S/N 101-435 |
| | | 279361003 | SWITCH-SAFETY (SEALED) | 1 | S/N 436-461 |
| 3 | | 4473004 | 1/4-20 X 1/2 FLGE WHIZ BOLT | 2 | S/N 101-461 |
| 4 | | 220238001 | KIT-MILSCO OLYMPIC ARM REST | 1 | Optional, Include Mounting Harware |
| 5 | | 902402001 | GROMMET-1 1/2" RUBBER | 1 | S/N 101-461 |
| 6 | | 235741001 | NUT-5/16-18 GR8 ZINC PLTD | 4 | |
| 7 | | 122474001 | MOUNT-SANDWICH SINGLE STUD | 2 | |
| 8 | | 235713001 | WASHER-3/8 SAE HARD ZINC PLTD | 2 | |
| 9 | | 235725001 | NUT-3/8-16 GR8 ZINC PLTD | 2 | |
| 10 | | 235683001 | MOUNT-MANUAL BOX | 1 | |
| 11 | | 235733001 | BOLT-1/4-20 X 1/2 GR8 ZINC PLTD | 3 | |
| 12 | | 235716001 | WASHER-1/4 SAE HARD ZINC PLTD | 3 | |
| 13 | | 405001 | NUT-1/4 NC FLG WHIZ LOCK | 3 | |
| 14 | | 142410001 | CASE-6" X 9" X 1" OPERATOR MANUAL | 1 | |
| 15 | | 142954001 | CABLE-.068DIA.NYLON CT.-36.00 | 1 | |
| 16 | | 142423001 | CRIMP-CABLE (FOR.068DIA.CABLE) | 2 | |
| 17 | | 251626001 | MANUAL ASSY-D16 X 20A (OM) (EN) 1ST | 1 | Includes Ref. 15 & 16 |
| 18 | | 105400077 | PM-D16 X 20A (EN) 1ST | 1 | |
| 19 | | 1864001 | LATCH-FLEXIBLE DRAW LATCH SN101-423 | 1 | |
| | | 13257001 | LATCH-RUBBER SN424-461 | 1 | |
| 20 | | 547007 | POP RIVET-SS68D SN101-461 | 4 | |
| 21 | | 235714001 | WASHER-5/16 SAE HARD ZINC PLTD | 6 | |
| 22 | | 235740001 | BOLT-5/16-18 X 1/2 GR8 ZINC PLT | 4 | |
| 23 | * | 105400U23 | OM-16X20A (EN) o2.00 | 1 | |
| 24 | * | 105400U25 | MM - D16X20A (EN) m2.00 | 1 | |
| 25 | | 1803011 | SPRING-COMP. #111 1 1/2 OA | 1 | S/N 101-461 |
| 26 | | 510005 | COTTER PIN-3/32 X 3/4 | 1 | S/N 101-461 |
| 27 | | 278009001 | HANDLE SEAT LATCHING | 1 | S/N 101-461 |
| 28 | * | 144144001 | NOTEBOOK BINDER 2"-3 XCX | 2 | |
| 29 | * | 7000B222 | DECAL-RESOURCE LIB. HORIZONTAL DIRECTIONAL DRILL | 2 | |
| 30 | * | 105400T09 | PM - NAVIGATOR BORING TOOLS p4.00 | 1 | |
| 31 | | 144145001 | VHS-HOLDER | 1 | |
| 32 | | 105400M37 | NAVIGATOR BORING TOOLS PM | 1 | |
| 33 | | 251803001 | VIDEO-FIRESTICK DRILL STEM | 1 | |
| | | 296264887 | VIDEO-OPERATIONS/SAFETY HDD&TRKNG EQUIP | 1 | |
| | | 296264888 | VIDEO - REMOTE LOCKOUT | 1 | |
| 34 | | 151815001 | VHS HOLDER DOUBLE | 1 | |
| 35 | | 105400T90 | HDD OPERATIONS & SAFETY VIDEO GUIDEBOOK | 1 | |

Hose Carrier Fig 1-16r01

Revised January 2000 due to update in illustration & parts list. Changed/added parts marked with *.

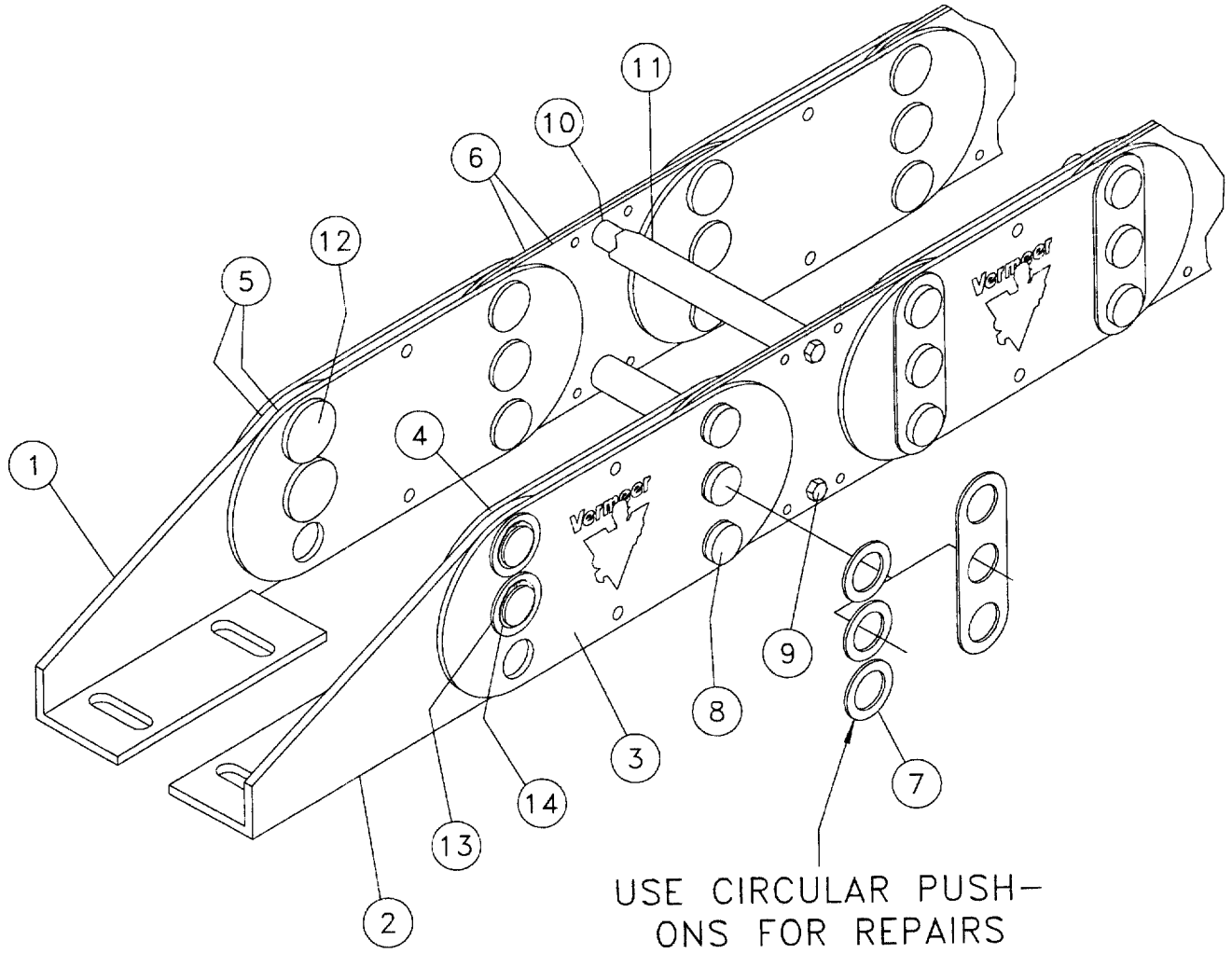


Hose Carrier Fig 1-16r01

| REF. NO. | * | PART NO. | DESCRIPTION | QTY. | REMARKS |
|----------|---|---------------|--------------------------------|------|---------------------------------|
| | | Revision Date | January, 2000 | | |
| 1 | * | 235725001 | NUT-3/8-16 GR8 ZINC PLTD | 8 | |
| 2 | | 235736001 | BOLT-3/8-16X1 1/47 ZINC PLTD | 12 | |
| 3 | | 251628001 | MOUNT-HOSE CARRIER | 1 | S/N 101-415 |
| 4 | | 235726001 | BOLT-3/8-16X3/4 GR8 HEX ZNCPLT | 4 | |
| 5 | * | 282119001 | MOUNT HOSE TRACK | | S/N 414- Replaced P/N 251631001 |
| 6 | | 225192001 | HOSE CARRIER-SM SERIES 108" | 1 | S/N 101-415 Breakdown Fig 1-17 |
| 7 | * | 235713001 | WASHER-3/8 SAE HARD ZINC PLTD | 24 | |
| 8 | * | 281547001 | SUPPORT-HOSE CARRIER | 1 | S/N 416- |
| 9 | * | 281560001 | CARRIER-HOSE | 1 | S/N 416- Breakdown Fig 1-17 |
| 10 | * | 281559001 | GUIDE-HOSE | 1 | S/N 416- |

Hose Carrier Components Fig 1-17r02

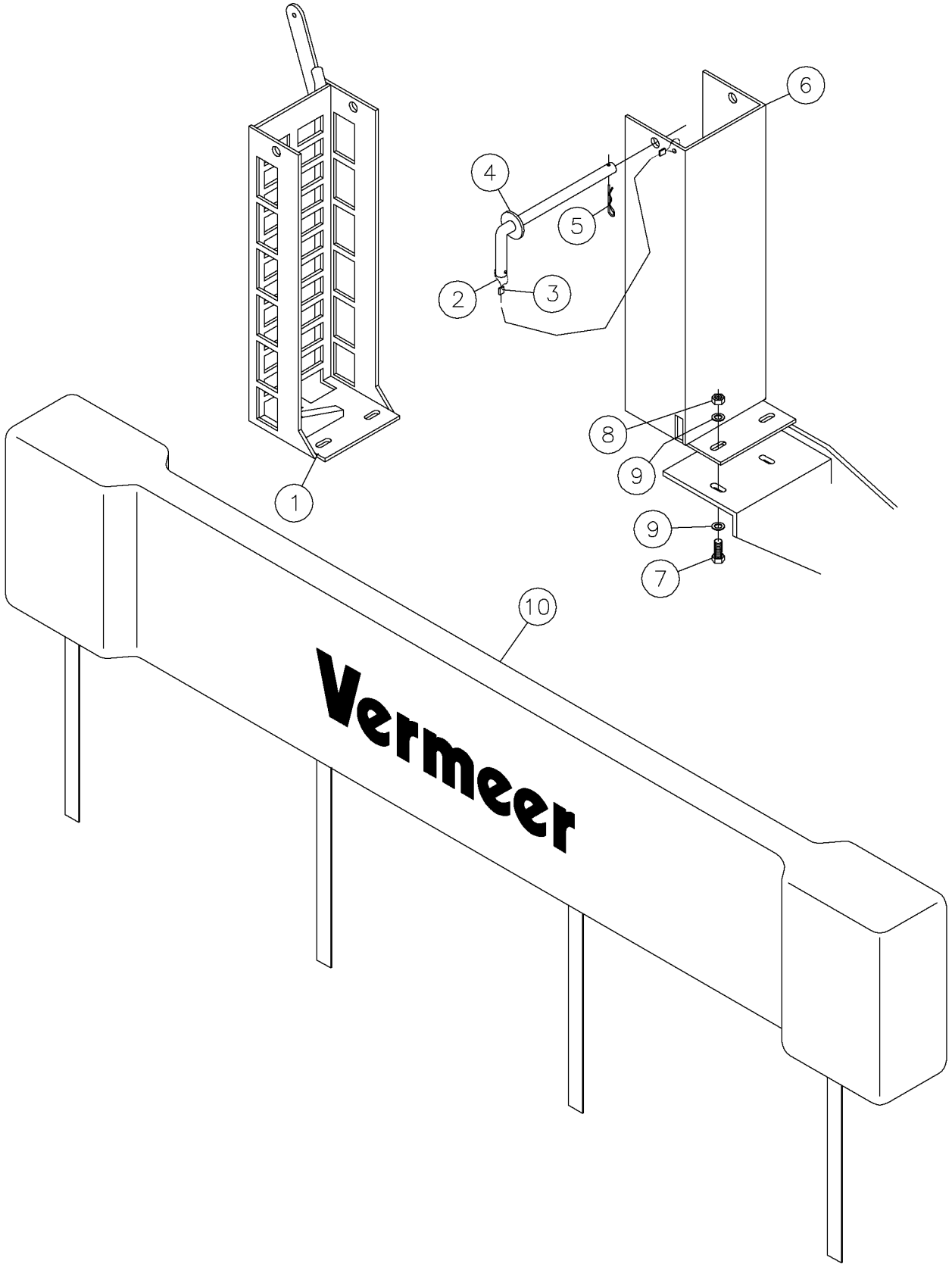
Revised January 2000 due to update in illustration & parts list. Added part marked with *.



Hose Carrier Components Fig 1-17r02

| REF. NO. | * | PART NO. | DESCRIPTION | QTY. | REMARKS |
|----------|---|---------------|--|------|---|
| | | Revision Date | January, 2000 | | |
| 1 | | 234256003 | PT45E MOUNTING BRACKET ASSY (L) (INC. REL. 12-14) | 2 | Inc Ref No's 12-14 |
| 2 | | 234256005 | PT45E MOUNTING BRACKET ASSY (R) (INC. REF. 12-14) | 2 | Inc Ref No's 12-14 |
| 3 | | 234256007 | PT45E OUTER LINK W/VERMEERLOGO | 22 | |
| 4 | | 234256009 | PT45E OUTER LINK | 22 | |
| 5 | | 234256011 | PT45E ANTI-FRICTION DISC | 90 | |
| 6 | | 225192003 | PT45E INNER LINK 5.709R | 44 | |
| 7 | | 2342566015 | PT45E CIRCULAR PUSH-ON | 126 | |
| 8 | | 234256017 | PT45E HINGE PIN | 126 | |
| 9 | | 234256019 | BOLT-WHIZ LOCK .250-20 X .620 | 44 | |
| 10 | | 225192005 | PT35E/45E CARRIER ROD (5.100) | 22 | |
| 11 | | 225192007 | PT35E/45E NYLON SLEEVE (4.900) | 22 | |
| 12 | | 225192009 | PIN-BRACKET HINGE | 8 | |
| 13 | | 225192011 | WASHER-BRACKET SHIM | 8 | |
| 14 | | 225192013 | RING-BRACKET RETAINING | 8 | |
| | | 225192001 | HOSE CARRIER (COMPLETE) | | S/N 101-415, Includes All Items In Figure |
| | * | 281560001 | HOSE CARRIER (COMPLETE) | | S/N 416-, Includes All Items In Figure |

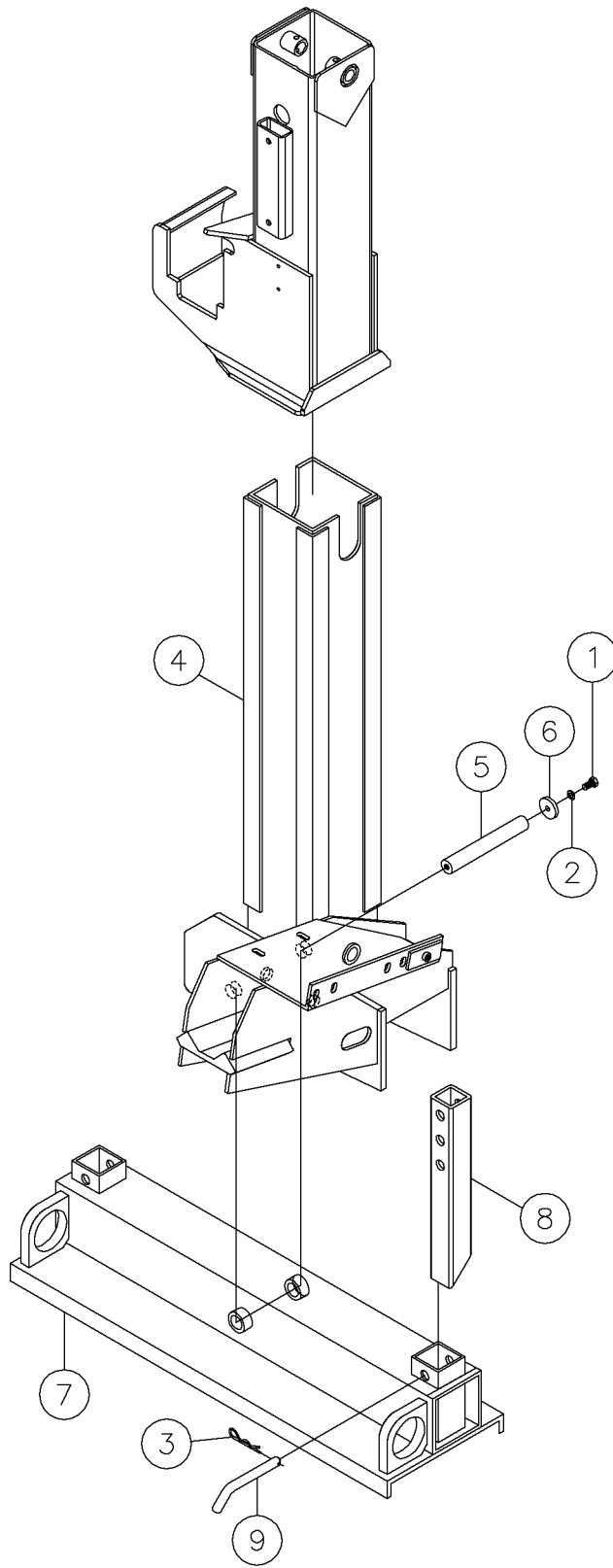
Rod Box Fig 1-18r02



Rod Box Fig 1-18r02

| REF. NO. | * | PART NO. | DESCRIPTION | QTY. | REMARKS |
|----------|---|---------------|----------------------------------|------|--------------------------------------|
| | | Revision Date | July, 2002 | | Update In Illustration & Parts List. |
| 1 | | 235656001 | BOX-LOWER ROD | 1 | |
| 2 | | 1830005 | CABLE-3/32" NYLON COATED 20" | 2 | |
| 3 | | 1838001 | CONNECTOR-WIRE (ETC) | 4 | |
| 4 | * | 229278001 | PIN-ROD BOX | 2 | |
| 5 | | 1794003 | HAIR PIN COTTER - .148 WIRE | 2 | |
| 6 | | 250312001 | BOX-UPPER ROD | 1 | |
| 7 | | 235737001 | BOLT-1/12-13X1 1/4 GR8 ZINC PLT | 4 | |
| 8 | | 235731001 | NUT-1/2-13 GR8 ZINC PLTD | 4 | |
| 9 | | 485025 | WASHER-1/2 FLAT-HARDENED-ZINC | 8 | |
| 10 | * | 287666001 | COVER - ROD BOX - NON ROD LOADER | 1 | |

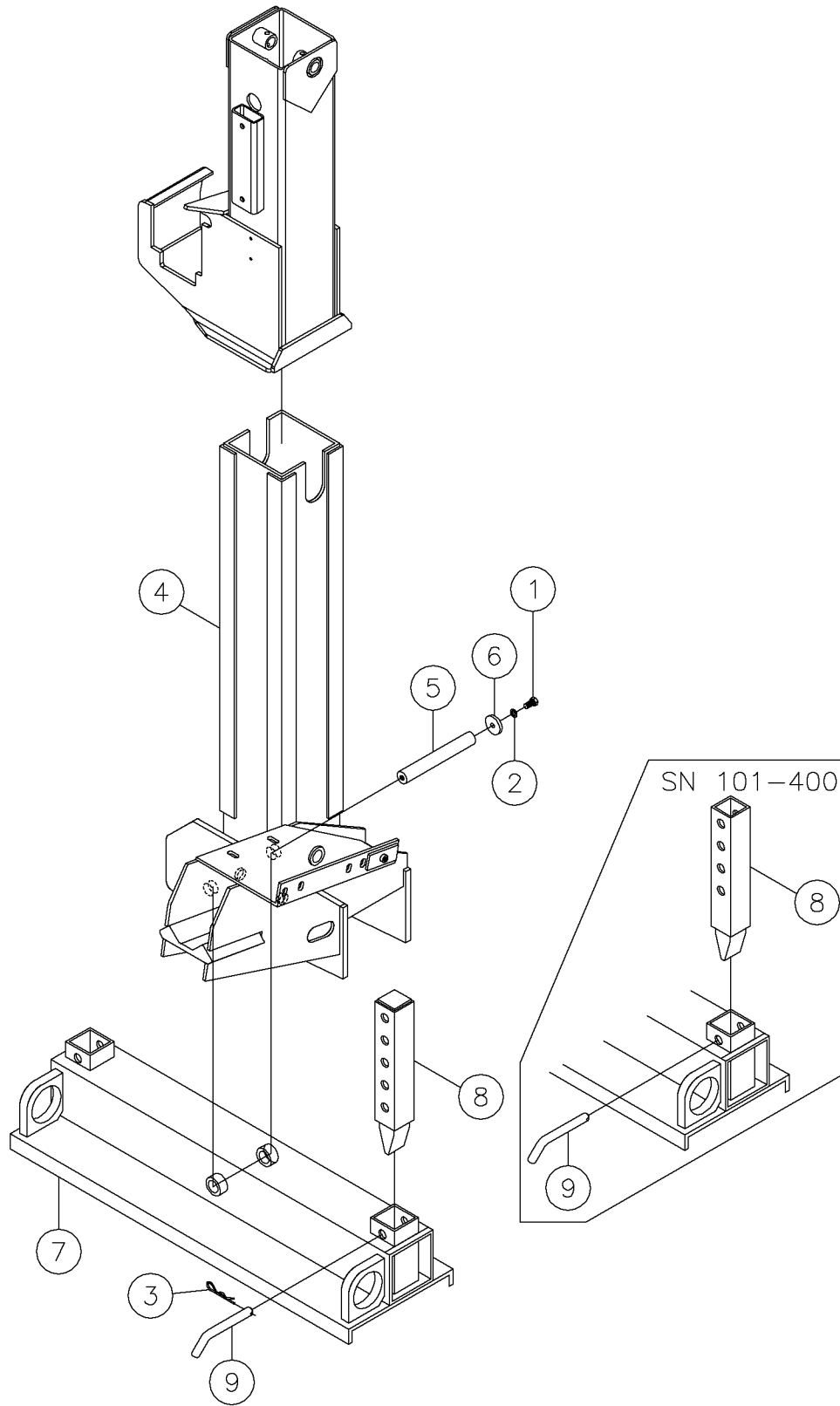
Outrigger Fig 1-19r03



Outrigger Fig 1-19r03

| REF. NO. | * | PART NO. | DESCRIPTION | QTY. | REMARKS |
|----------|---|---------------|----------------------------------|------|--------------------------------------|
| | | Revision Date | June, 2006 | | Update In Illustration & Parts List. |
| 1 | | 235726001 | BOLT-3/8-16X3/4 GR 8 HEX ZNC PLT | 2 | |
| 2 | | 235713001 | WASHER-3/8 SAE HARD ZINC PLTD | 2 | |
| 3 | | 1794003 | HAIR PIN COTTER- .148 WIRE | 2 | |
| 4 | | 245228001 | OUTRIGGER-RACK LIFT | 1 | |
| 5 | | 278000001 | PIN-OUTRIGGER | 1 | |
| 6 | | 240006001 | CAP-END | 2 | |
| 7 | | 245242001 | PAD-OUTRIGGER | 1 | |
| 8 | | 296266507 | STAKE - OUTRIGGER PAD | 2 | S/N 1453- |
| 9 | | 289014001 | ROD-FOOT PIN | 2 | S/N 400- |

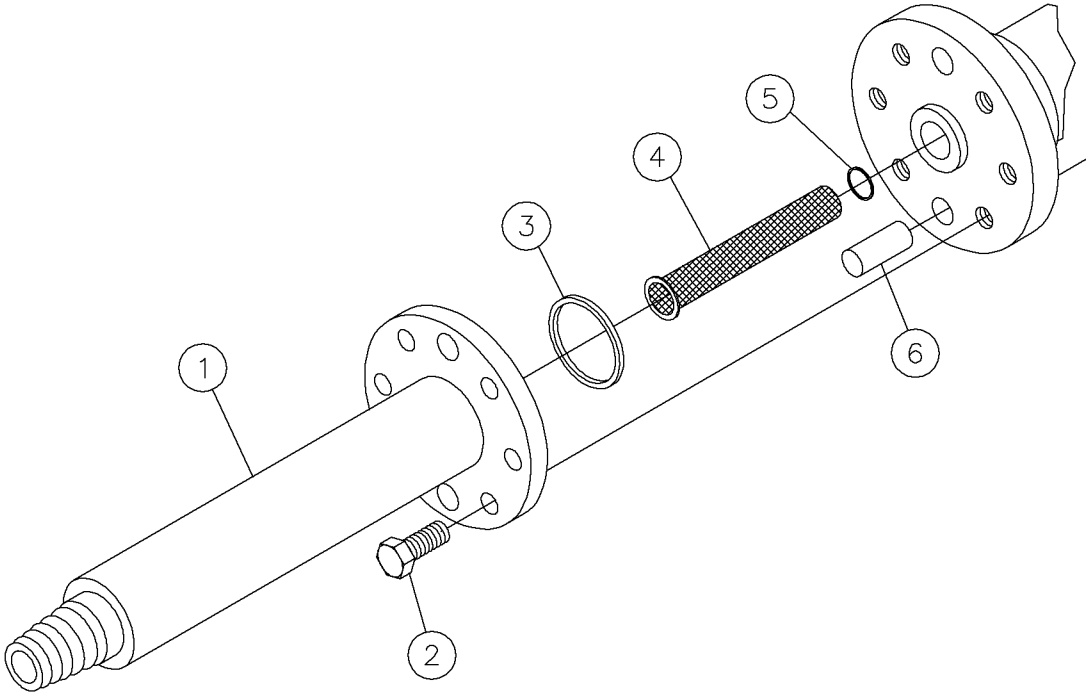
Outrigger Fig 1-19r02



Outrigger Fig 1-19r02

| REF. NO. | * | PART NO. | DESCRIPTION | QTY. | REMARKS |
|----------|---|---------------|----------------------------------|------|-------------|
| | | Revision Date | October, 2000 | | |
| 1 | | 235726001 | BOLT-3/8-16X3/4 GR 8 HEX ZNC PLT | 2 | |
| 2 | | 235713001 | WASHER-3/8 SAE HARD ZINC PLTD | 2 | |
| 3 | | 1794003 | HAIR PIN COTTER- .148 WIRE | 2 | |
| 4 | | 245228001 | OUTRIGGER-RACK LIFT | 1 | |
| 5 | | 278000001 | PIN-OUTRIGGER | 1 | |
| 6 | | 240006001 | CAP-END | 2 | |
| 7 | | 245242001 | PAD-OUTRIGGER | 1 | |
| 8 | | 278039001 | STAKE-SHORT | 2 | S/N 101-399 |
| | * | 289014001 | ROD-FOOT PIN | 2 | S/N 400- |
| 9 | | 240118001 | ROD-FOOT PIN | 2 | S/N 101-399 |
| | * | 278124001 | STAKE-SHORT | 2 | S/N 400- |

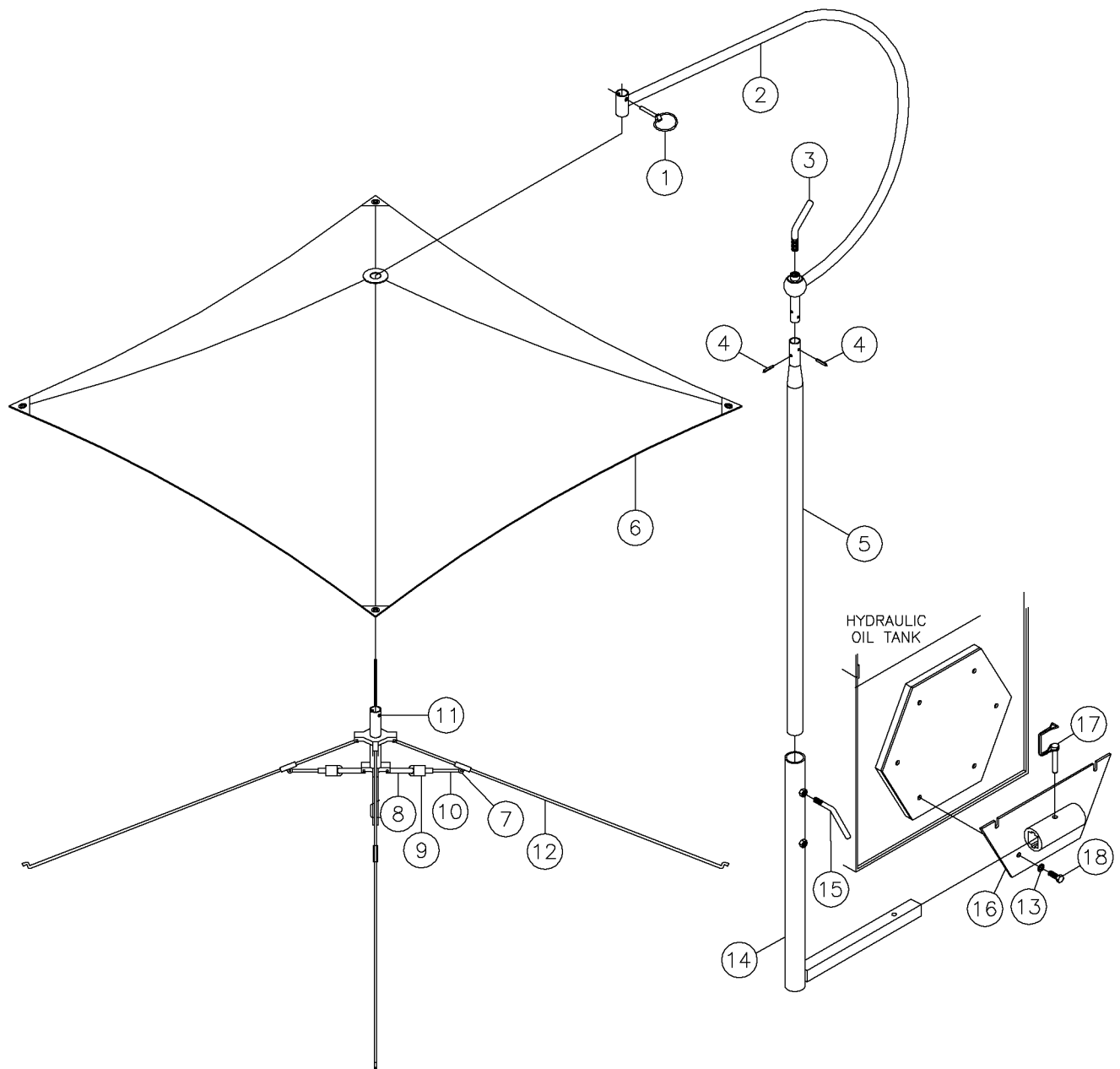
Drive Chuck Fig 1-20



Drive Chuck Fig 1-20

| REF. NO. | * | PART NO. | DESCRIPTION | QTY. | REMARKS |
|----------|---|-----------|--------------------------------|------|---------|
| 1 | | 235751001 | DRIVE CHUCK-2 1/B"OD | 1 | |
| 2 | | 235737001 | BOLT-1/2-13X1 1/4 GR8 ZINC PLT | 6 | |
| 3 | | 72897001 | O RING-SQ. #24 FLANGE | 1 | |
| 4 | | 905011001 | SCREEN (DRILL FLUID) | 1 | |
| | | 905012001 | SCREEN (WATER) | 1 | |
| 5 | | 904508001 | WASHER-BLACK RUBBER | 1 | |
| 6 | | 70096001 | PIN-DOWEL 5/8DIA.-1 1/2 | 1 | |

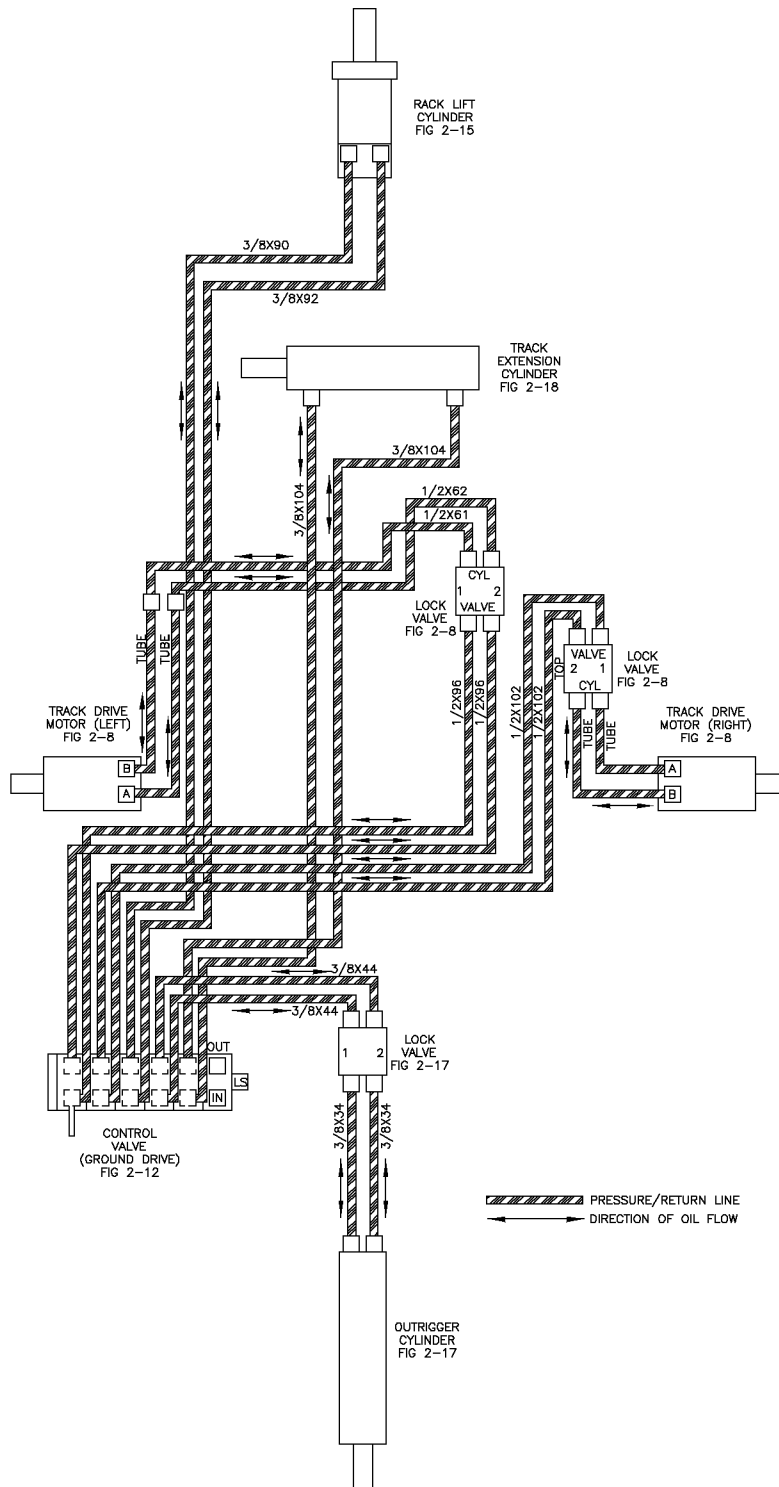
Umbrella Fig 1-21



Umbrella Fig 1-21

| REF. NO. | * | PART NO. | DESCRIPTION | QTY. | REMARKS |
|----------|---|-----------|------------------------------|------|-------------------------|
| 1 | | 1797003 | PIN-QUICK ATTACHMENT 1/4" | 1 | |
| 2 | | 238181003 | CURVED SHAFT | 1 | |
| 3 | | 238181005 | LOCKING HANDLE | 1 | |
| 4 | | 1978011 | PIN-ROLL 3/16 X 1 | 2 | |
| 5 | | 238181007 | SUPPORT SHAFT-UMBRELLA | 1 | |
| 6 | | 240103001 | SHEATH-UMBRELLA | 1 | |
| 7 | | 238181011 | RIVET-PUSH PIN | 12 | |
| 8 | | 238181013 | TUBE-PUSH ROD | 4 | |
| 9 | | 238181015 | CLIP-PUSH ROD LOCKING SPRING | 4 | |
| 10 | | 238181017 | PUSH ROD | 4 | |
| 11 | | 238181019 | CENTER TUBE W/ SPIDERS | 1 | |
| 12 | | 238181021 | BOW W/ CLEVIS | 4 | |
| 13 | | 99397001 | WASHER-3/8 HARDEN ASTM-A325 | 4 | |
| 14 | | 238170001 | TOWER-MOUNT UMBRELLA | 1 | |
| 15 | | 240038001 | BOLT-TIGHTENING 3/8" | 2 | |
| 16 | | 238167001 | TUBE-UMBRELLA MOUNT | 1 | |
| 17 | | 2109003 | PIN LOCKING - 3/8 X 2 1/4 | 1 | |
| 18 | | 16114010 | BOLT-3/8-16X1 HEX HEAD GR. 8 | 4 | |
| | | | | | |
| | | 238181001 | UMBRELLA-ASSY. | | Inc Ref No's 1-12 |
| | | | | | |
| | | 240102001 | FRAME-UMBRELLA | | Inc Ref No's 2-5 & 7-12 |

Hydraulic Flow Diagram - Ground Drive Fig 2-1r04

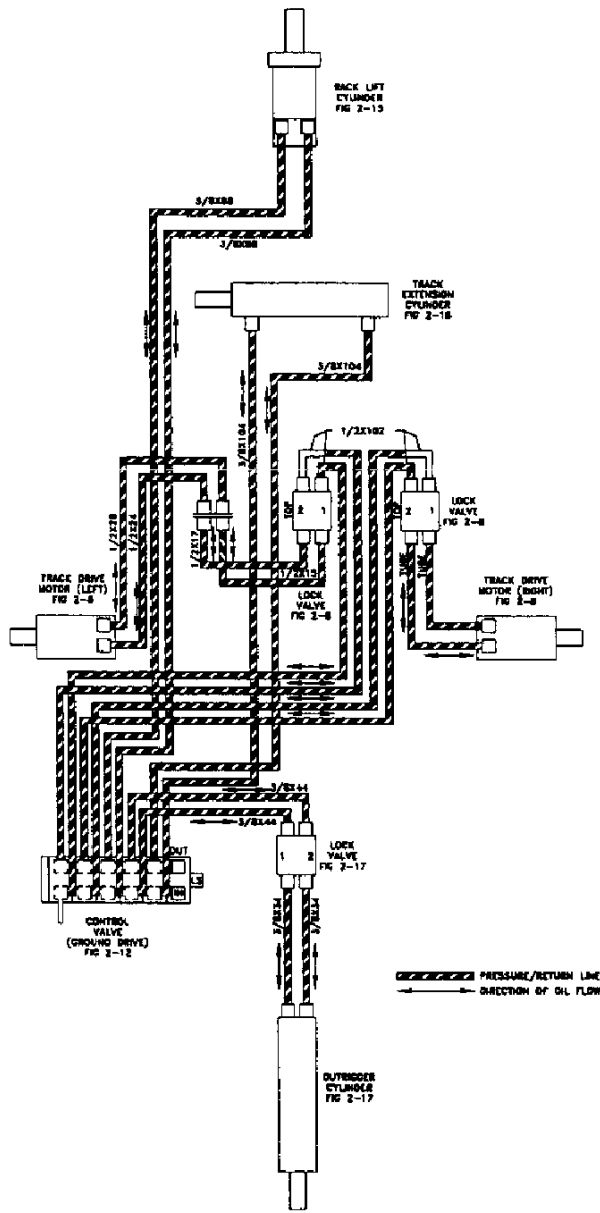


SN332,357-

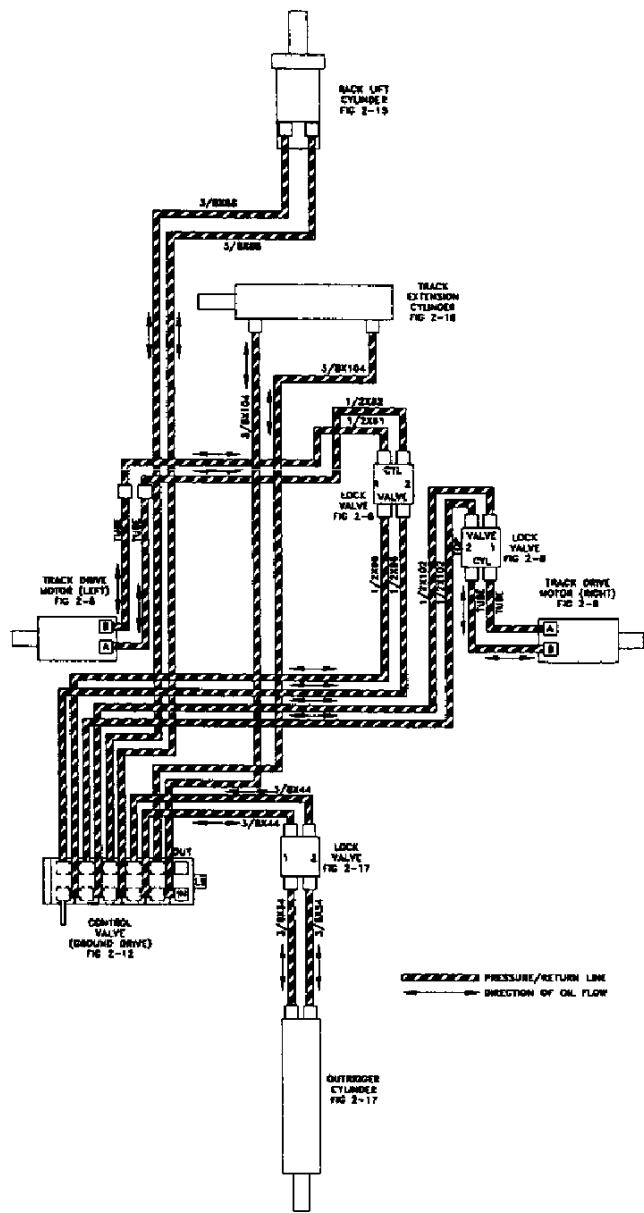
Hydraulic Flow Diagram - Ground Drive Fig 2-1r04

| REF. NO. | * | PART NO. | DESCRIPTION | QTY. | REMARKS |
|----------|---|---------------|-------------|------|-------------------------|
| | | Revision Date | May, 2005 | | Update In Illustration. |

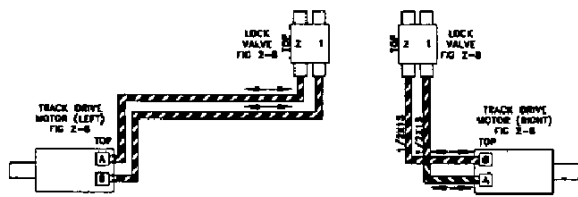
Hydraulic Flow Diagram - Ground Drive Fig 2-1r03



SN141-331,333-356



SN332,357-

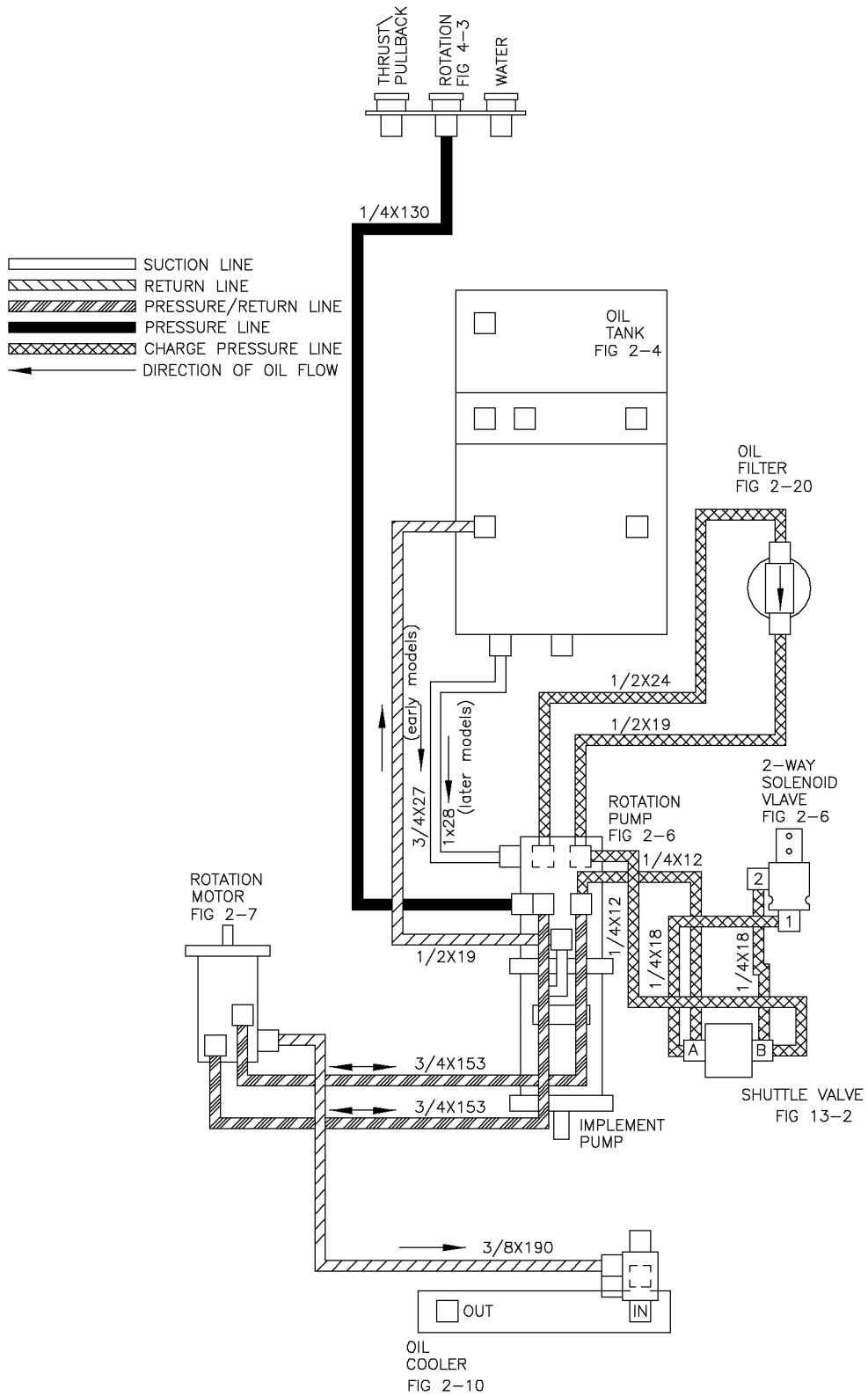


SN101-141

Hydraulic Flow Diagram - Ground Drive Fig 2-1r03

| REF. NO. | * | PART NO. | DESCRIPTION | QTY. | REMARKS |
|----------|---|---------------|--------------|------|-------------------------|
| | | Revision Date | August, 1999 | | Update In Illustration. |

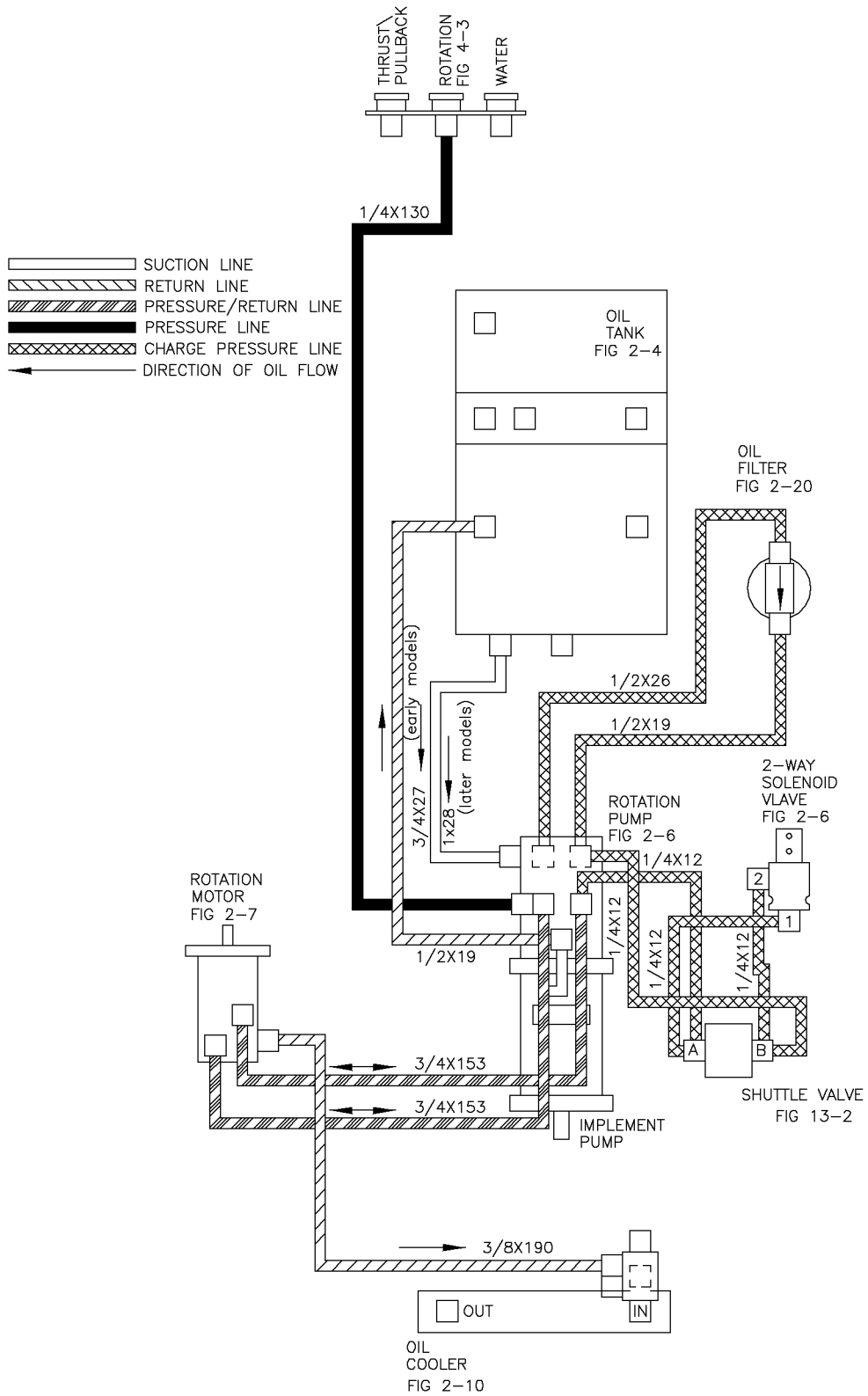
Hydraulic Flow Diagram - Rotation Fig 2-2r04



Hydraulic Flow Diagram - Rotation Fig 2-2r04

| REF. NO. | * | PART NO. | DESCRIPTION | QTY. | REMARKS |
|----------|---|---------------|-------------|------|-------------------------|
| | | Revision Date | May, 2005 | | Update In Illustration. |

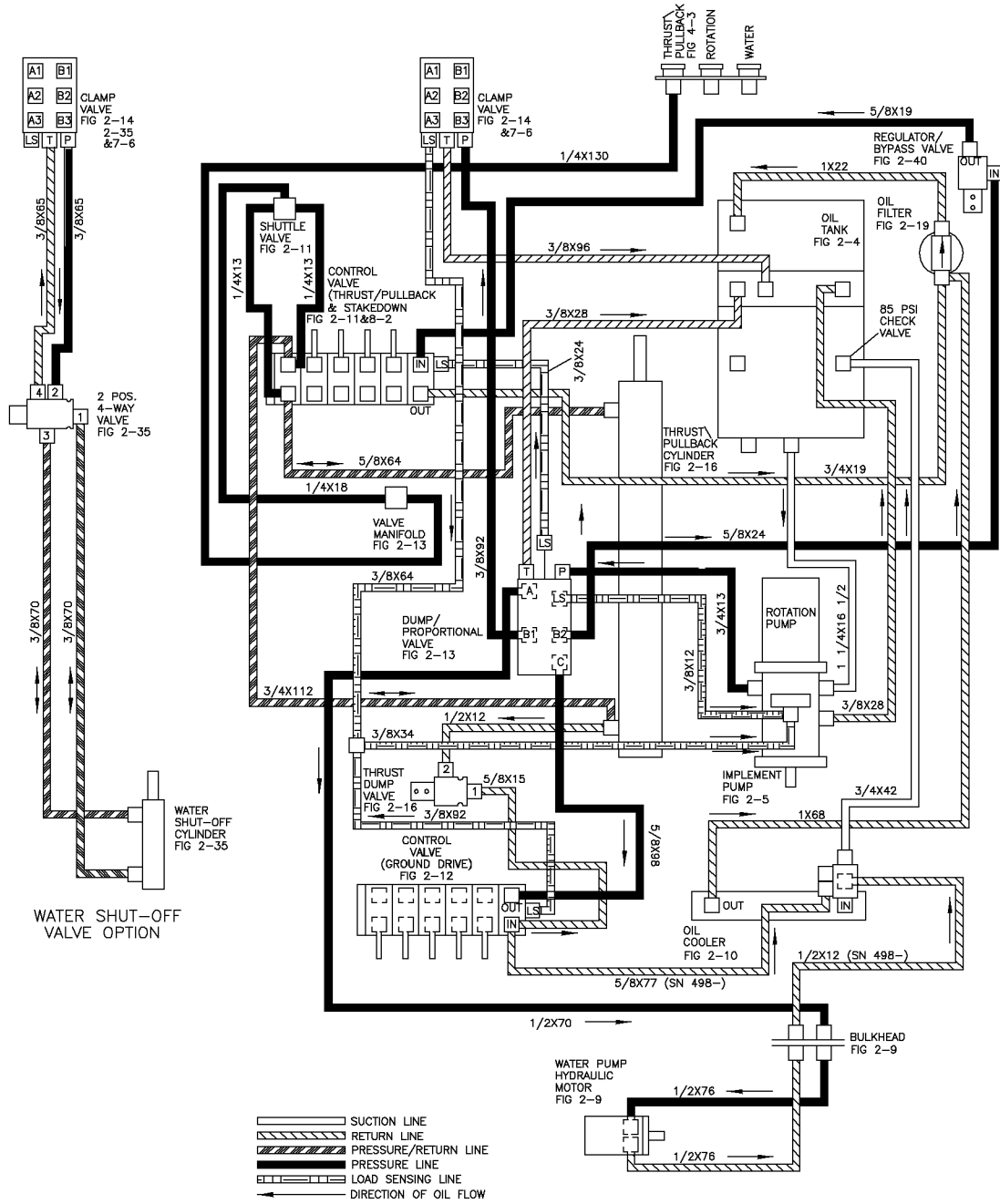
Hydraulic Flow Diagram - Rotation Fig 2-2r03



Hydraulic Flow Diagram - Rotation Fig 2-2r03

| REF. NO. | * | PART NO. | DESCRIPTION | QTY. | REMARKS |
|----------|---|---------------|-------------|------|-------------------------|
| | | Revision Date | July, 2002 | | Update In Illustration. |

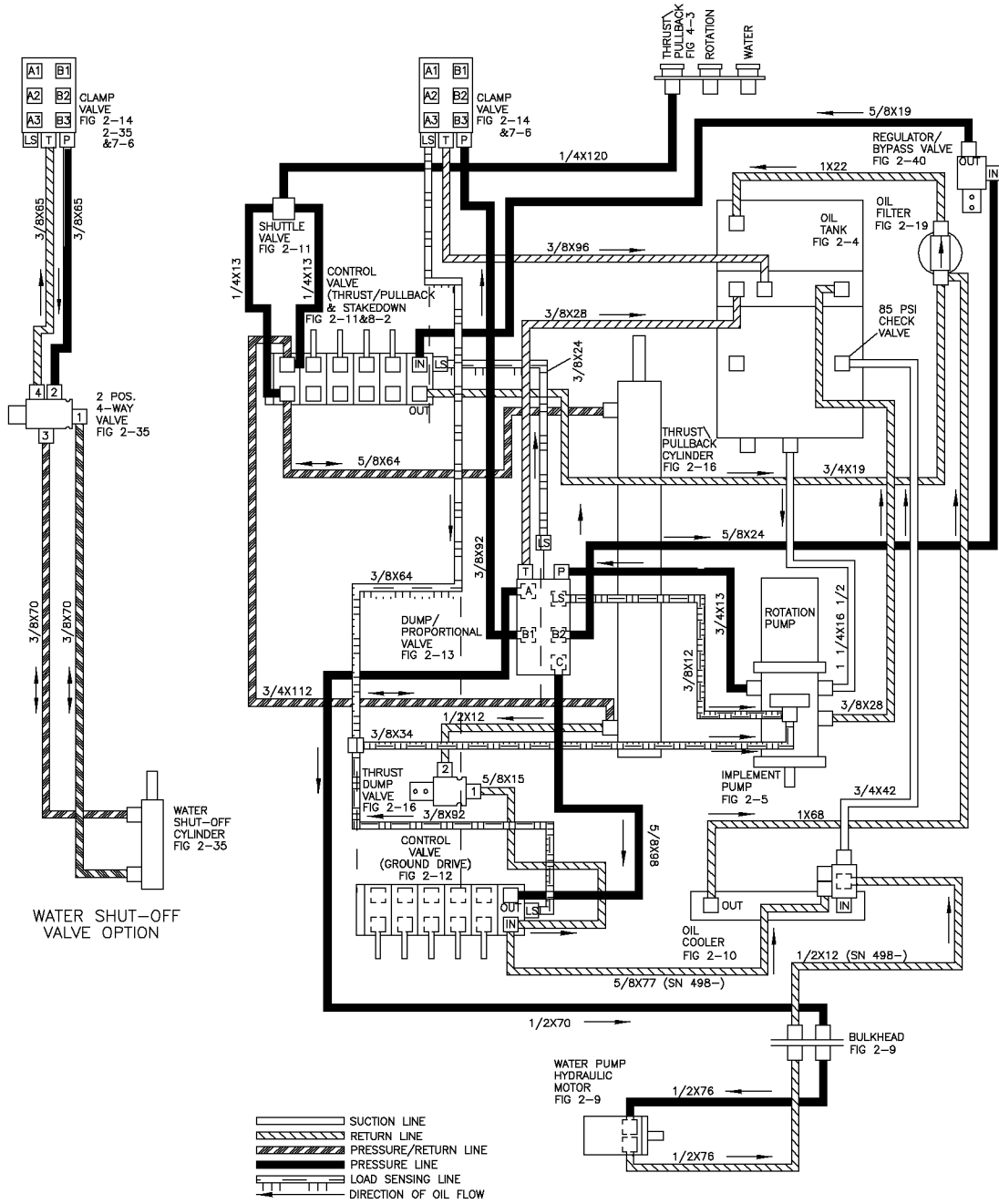
Hydraulic Flow Diagram - Implement (S/N 1472) Fig 2-3r09



Hydraulic Flow Diagram - Implement (S/N 1472) Fig 2-3r09

| REF. NO. | * | PART NO. | DESCRIPTION | QTY. | REMARKS |
|----------|---|---------------|-------------|------|-------------------------|
| | | Revision Date | June, 2006 | | Update In Illustration. |

Hydraulic Flow Diagram - Implement Fig 2-3r08

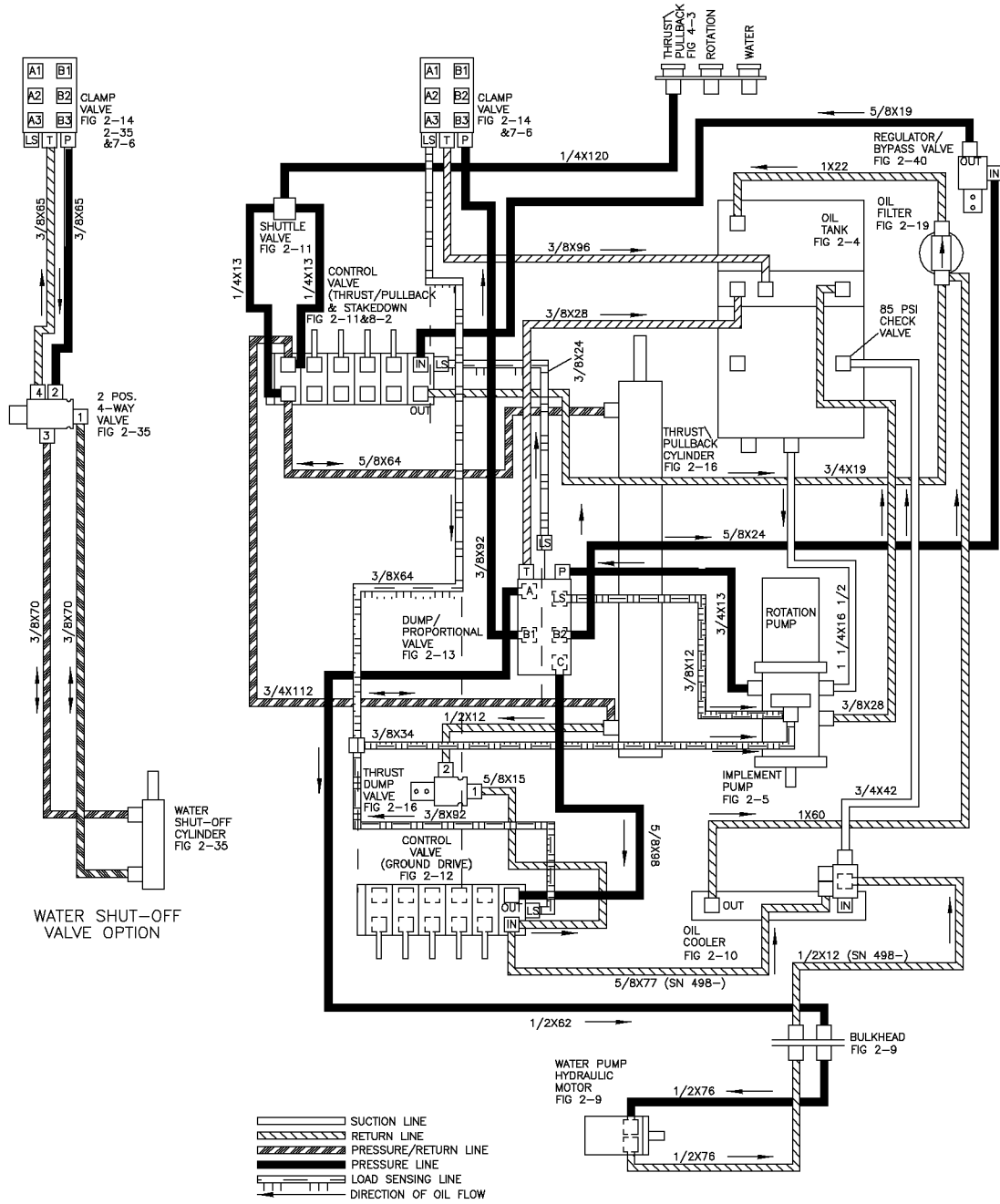


SN 653-

Hydraulic Flow Diagram - Implement Fig 2-3r08

| REF. NO. | * | PART NO. | DESCRIPTION | QTY. | REMARKS |
|----------|---|---------------|-------------|------|-------------------------|
| | | Revision Date | May, 2005 | | Update In Illustration. |

Hydraulic Flow Diagram - Implement Fig 2-3r07

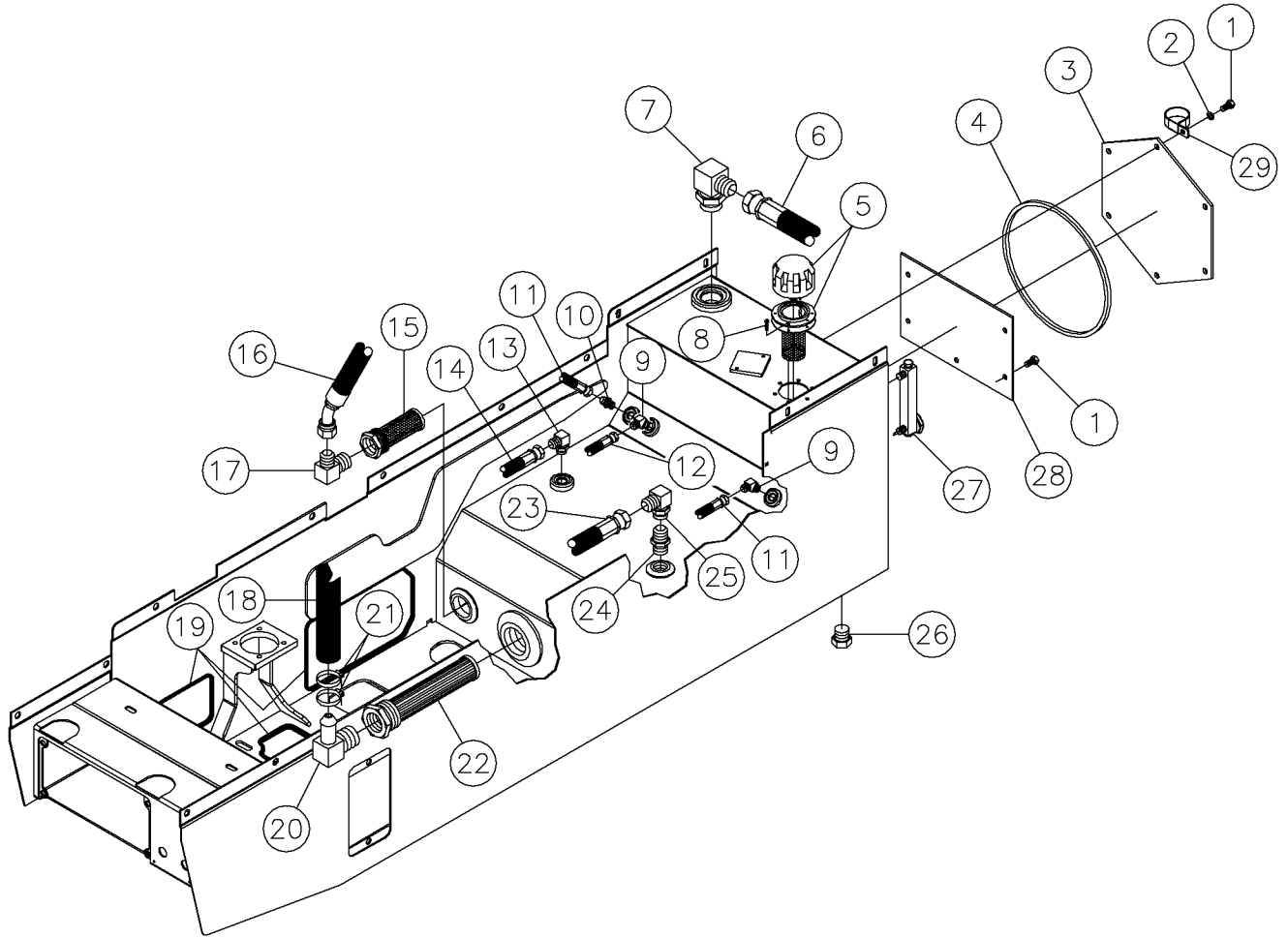


SN 653-

Hydraulic Flow Diagram - Implement Fig 2-3r07

| REF. NO. | * | PART NO. | DESCRIPTION | QTY. | REMARKS |
|----------|---|---------------|-------------|------|-------------------------|
| | | Revision Date | July, 2002 | | Update In Illustration. |

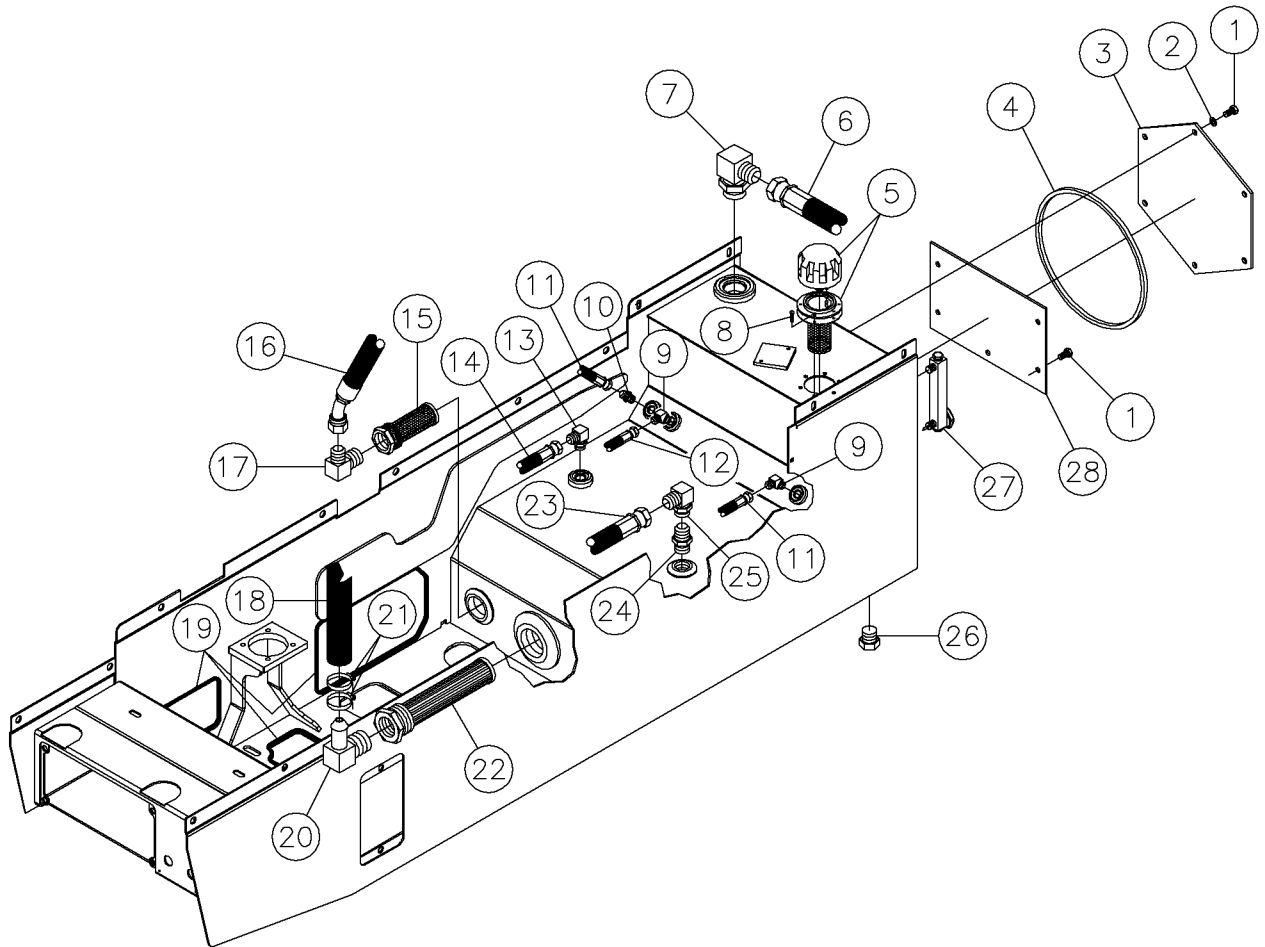
Hyd Oil Tank Fig 2-4r06



Hyd Oil Tank Fig 2-4r06

| REF. NO. | * | PART NO. | DESCRIPTION | QTY. | REMARKS |
|----------|---|---------------|---|------|--------------------------------------|
| | | Revision Date | June, 2006 | | Update In Illustration & Parts List. |
| 1 | | 235726001 | BOLT-3/8-16X3/4 GR8 HEX ZNCPLT | 11 | |
| 2 | | 235713001 | WASHER - FLATSTRL - .38 - .41 X .81 - .06-YA-A325 | 6 | |
| 3 | | 96291001 | PLATE-CLEANOUT PORT | 1 | |
| 4 | | 78544001 | O-RING AS-378 B46 | 1 | |
| 5 | | 235808001 | CAP-FILLER/BREATHING W/O RELIEF | 1 | |
| 6 | | 53846063 | HOSE-1X22 16FS JIC (100R4) | 1 | |
| 7 | | 85661001 | FITTING-20MORINGX16MJIC 90 DEG | 1 | |
| 8 | | 1802006 | BOLT-10-24 X 3/4 RND HD STOVE | 6 | |
| 9 | | 65563001 | FITTING - 6M O-RING X 6M JIC 45 DEGREE | 2 | |
| 10 | | 65565001 | FITTING - 6M O-RING X 6M JIC ST. | 1 | |
| 11 | | 57940035 | HOSE-3/8X28 6FS JIC (100R1) | 2 | |
| 12 | | 57940469 | HOSE-3/8X96 6FS JIC 3000 PSI | 1 | |
| 13 | | 53837001 | FITTING - 8M O-RING X 8M JIC 90 DEGREE | 1 | |
| 14 | | 53844677 | HOSE-1/2X19 8FSJIC 100R1 | 1 | |
| 15 | | 282817001 | STRAINER | 1 | S/N 613- |
| 16 | | 275135001 | HOSE-1X28 16FSJIC ST/45 100R4 | 1 | |
| 17 | | 61699001 | 1"NPT X 16M JIC 90 | 1 | |
| 18 | | 279331001 | HOSE-1-1/4X17 37 HW LOW PRESSURE | 1 | |
| 19 | | 212522001 | TRIM-1/4 EDGE | A/R | P/N Qty Of 1 = 1 Foot |
| 20 | | 113567001 | FITTING-1 1/4MX1 1/4M BARB 90 | 1 | |
| 21 | | 1580007 | HOSE CLAMP - 1 1/2" | 2 | |
| 22 | | 64101001 | STRAINER-SUCTION S-25-100 | 1 | |
| 23 | | 53845043 | HOSE-3/4X40 12FS JIC (100R2) | 1 | |
| 24 | | 229396001 | VALVE-85 PSI INLINE CHECK | 1 | |
| 25 | | 59422001 | FITTING-90-12MJ-12FSJ | 1 | |
| 26 | | 67570001 | FITTING - PLUG - 12MORB - HEX | 1 | |
| 27 | | 81590001 | GAUGE-SIGHT | 1 | |
| 28 | | 282759001 | ACCESS - BAFFLE | 1 | S/N 348- |
| 29 | | 204721001 | HOSE CLAMP-CCV2913 1 3/4" | 1 | |

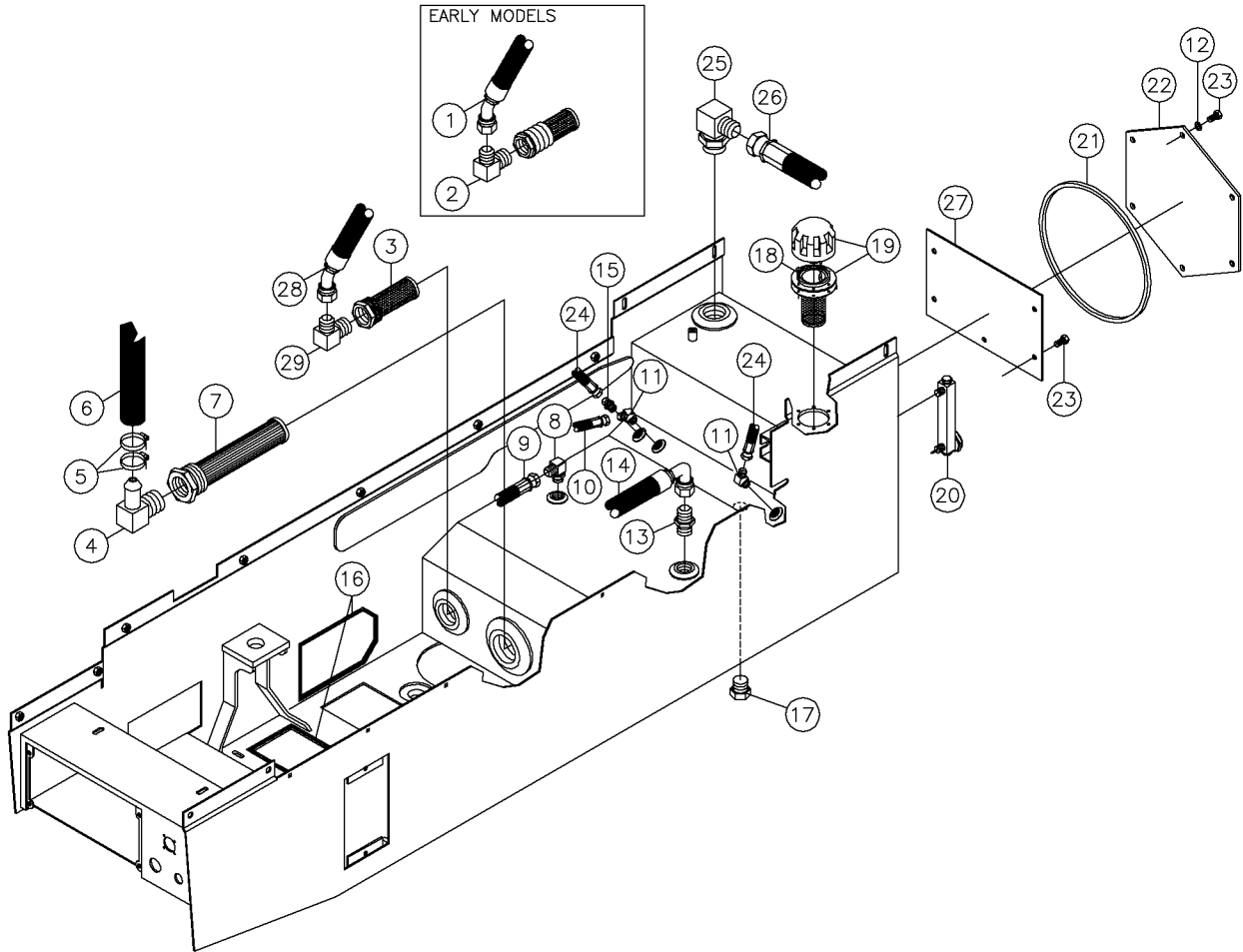
Hyd Oil Tank Fig 2-4r05



Hyd Oil Tank Fig 2-4r05

| REF. NO. | * | PART NO. | DESCRIPTION | QTY. | REMARKS |
|----------|---|---------------|---|------|--------------------------------------|
| | | Revision Date | September, 2004 | | Update In Illustration & Parts List. |
| 1 | | 235726001 | BOLT-3/8-16X3/4 GR8 HEX ZNCPLT | 11 | |
| 2 | | 235713001 | WASHER - FLATSTRL - .38 - .41 X .81 - .06-YA-A325 | 6 | |
| 3 | | 96291001 | PLATE-CLEANOUT PORT | 1 | |
| 4 | | 78544001 | O-RING AS-378 B46 | 1 | |
| 5 | | 235808001 | CAP-FILLER/BREATHING W/O RELIEF | 1 | |
| 6 | | 53846063 | HOSE-1X22 16FS JIC (100R4) | 1 | |
| 7 | | 85661001 | FITTING-20MORINGX16MJIC 90 DEG | 1 | |
| 8 | | 1802006 | BOLT-10-24 X 3/4 RND HD STOVE | 6 | |
| 9 | | 65563001 | FITTING - 6M O-RING X 6M JIC 45 DEGREE | 2 | |
| 10 | | 65565001 | FITTING - 6M O-RING X 6M JIC ST. | 1 | |
| 11 | | 57940035 | HOSE-3/8X28 6FS JIC (100R1) | 2 | |
| 12 | | 57940469 | HOSE-3/8X96 6FS JIC 3000 PSI | 1 | |
| 13 | | 53837001 | FITTING - 8M O-RING X 8M JIC 90 DEGREE | 1 | |
| 14 | | 53844677 | HOSE-1/2X19 8FSJIC 100R1 | 1 | |
| 15 | | 282817001 | STRAINER | 1 | S/N 613- |
| 16 | | 275135001 | HOSE-1X28 16FSJIC ST/45 100R4 | 1 | |
| 17 | | 61699001 | 1"NPT X 16M JIC 90 | 1 | |
| 18 | | 279331001 | HOSE-1-1/4X17 37 HW LOW PRESSURE | 1 | |
| 19 | | 212522001 | TRIM-1/4 EDGE | A/R | P/N Qty Of 1 = 1 Foot |
| 20 | | 113567001 | FITTING-1 1/4MX1 1/4M BARB 90 | 1 | |
| 21 | | 1580007 | HOSE CLAMP - 1 1/2" | 2 | |
| 22 | | 64101001 | STRAINER-SUCTION S-25-100 | 1 | |
| 23 | | 53845043 | HOSE-3/4X40 12FS JIC (100R2) | 1 | |
| 24 | | 229396001 | VALVE-85 PSI INLINE CHECK | 1 | |
| 25 | | 59422001 | FITTING-90-12MJ-12FSJ | 1 | |
| 26 | | 67570001 | FITTING - PLUG - 12MORB - HEX | 1 | |
| 27 | | 81590001 | GAUGE-SIGHT | 1 | |
| 28 | | 282759001 | ACCESS - BAFFLE | 1 | S/N 348- |

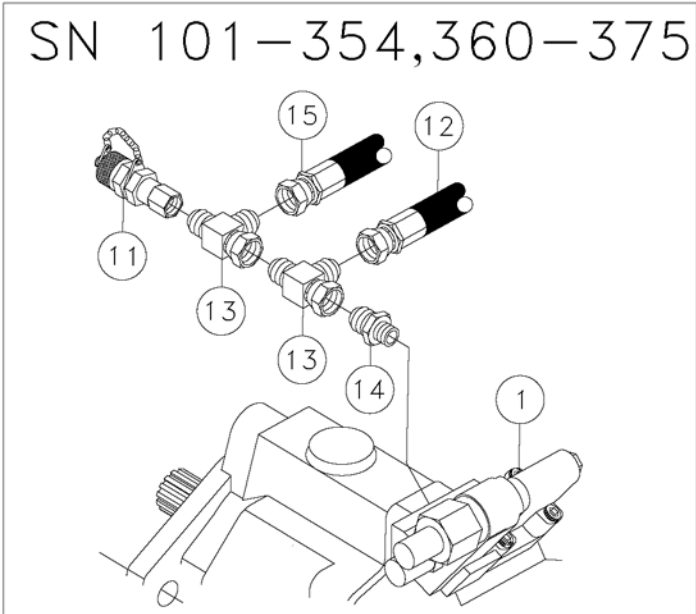
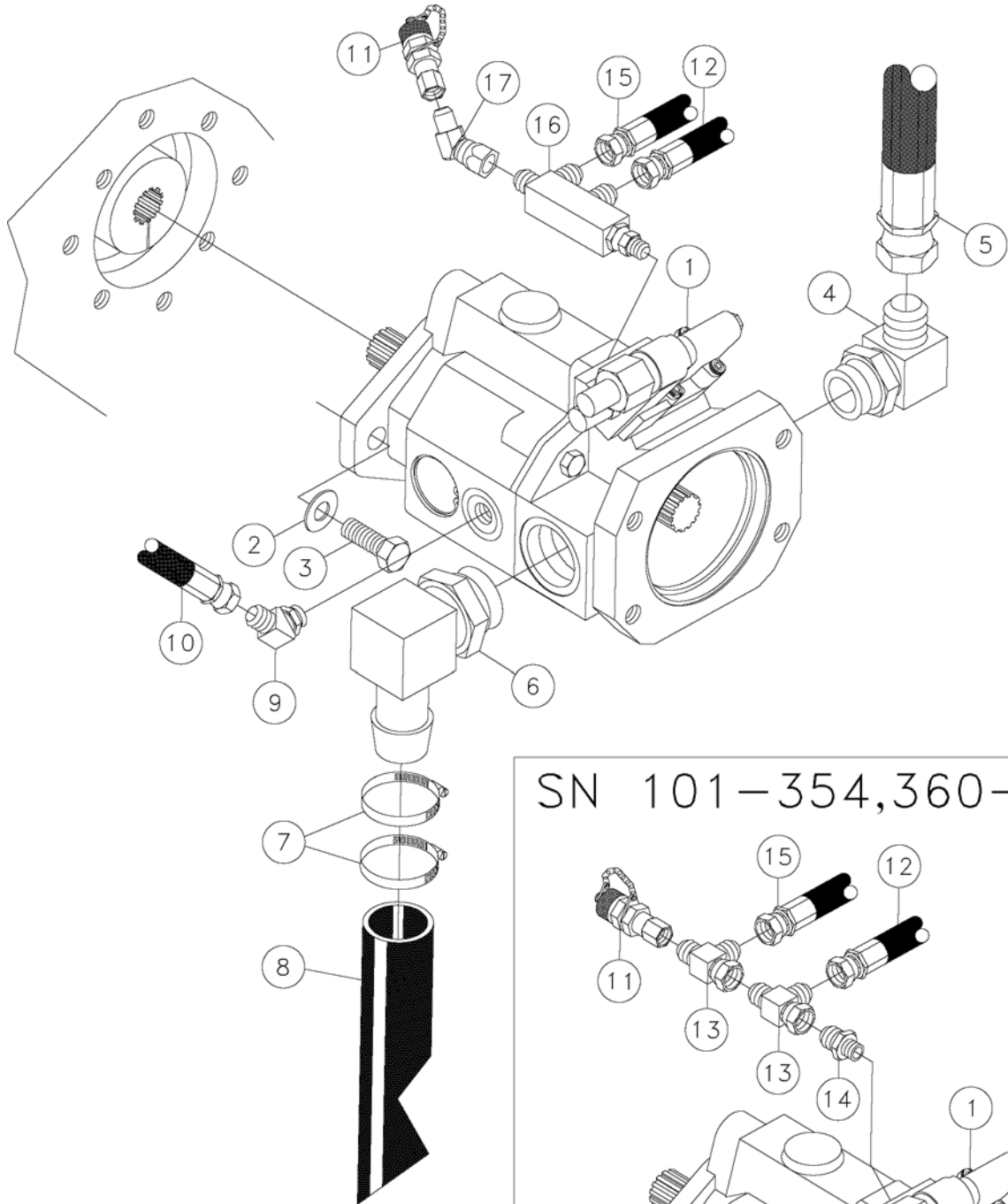
Hyd Oil Tank Fig 2-4r04



Hyd Oil Tank Fig 2-4r04

| REF. NO. | * | PART NO. | DESCRIPTION | QTY. | REMARKS |
|----------|---|---------------|-----------------------------------|------|-----------------------|
| | | Revision Date | June, 2000 | | |
| 1 | | 53845677 | HOSE-3/4 X 27 12FSHJIC-12FSJIC 45 | 1 | |
| 2 | | 70010001 | FITTING-1MNPTX12MJIC 90 DEG. | 1 | |
| 3 | | 900041001 | STRAINER MS100-0 | 1 | S/N 101-612 |
| 3 | * | 282817001 | STRAINER | 1 | S/N 613- |
| 4 | | 113567001 | FITTING-1 1/4M X 1 1/4M BARB 90 | 1 | |
| 5 | | 1580007 | HOSE CLAMP - 1 1/2" | 2 | |
| 6 | | 626095 | LP HOSE 1 1/4" - 16.50 | 1 | |
| 7 | | 64101001 | STRAINER-SUCTION S-25-100 | 1 | |
| 8 | | 53837001 | #8M O-RING-#8M JIC 90 DEG. | 1 | |
| 9 | | 53844677 | HOSE-1/2 X 198FS JIC (100R1) | 1 | |
| 10 | | 57940469 | HOSE-3/8 X 96 6FS JIC 3000 PSI | 1 | |
| 11 | | 65563001 | 6M X 6M JIC 45 DEGREE | 2 | |
| 12 | | 235713001 | WASHER-3/8 SAE HARD ZINC PLTD | 6 | |
| 13 | | 229396001 | VALVE-85 PSI INLINE CHECK | 1 | |
| 14 | | 53845437 | HOSE-3/4 X 42 12FSJICST/12FSJIC90 | 1 | |
| 15 | | 65565001 | FITTING-6M X 6M JIC ST. | 1 | |
| 16 | | 94095001 | EDGE TRIM-1/4" | A/R | P/N Qty Of 1 = 1 Foot |
| 17 | | 67570001 | PLUG-12M | 1 | |
| 18 | | 1802006 | BOLT-10-12 X 3/4 RND HD STOVE | 6 | |
| 19 | | 235808001 | CAP-FILLER/BREATHER W/O RELIEF | 1 | |
| 20 | | 81590001 | GAUGE-SIGHT | 1 | |
| 21 | | 78544001 | O-RING AS-378 B46 | 1 | |
| 22 | | 96291001 | PLATE-CLEANOUT PORT | 1 | |
| 23 | | 235726001 | BOLT-3/8-16 X 3/4 GR8 HEX ZNC PLT | 11 | |
| 24 | | 57940035 | HOSE-3/8 X 28 6FS JIC (100R1) | 2 | |
| 25 | | 85661001 | FITTING-20M ORING X 16MJIC 90 DEG | 1 | |
| 26 | | 53846063 | HOSE-1 X 22 16FS JIC (100R4) | 1 | |
| 27 | | 282759001 | ACCESS-BAFFLE | 1 | S/N 348- |
| 28 | | 275135001 | HOSE-1 X 28 16FS JIC ST/45 100R4 | 1 | |
| 29 | | 61699001 | FITTING-1M NP X 16 M JIC 90 DEG | 1 | |

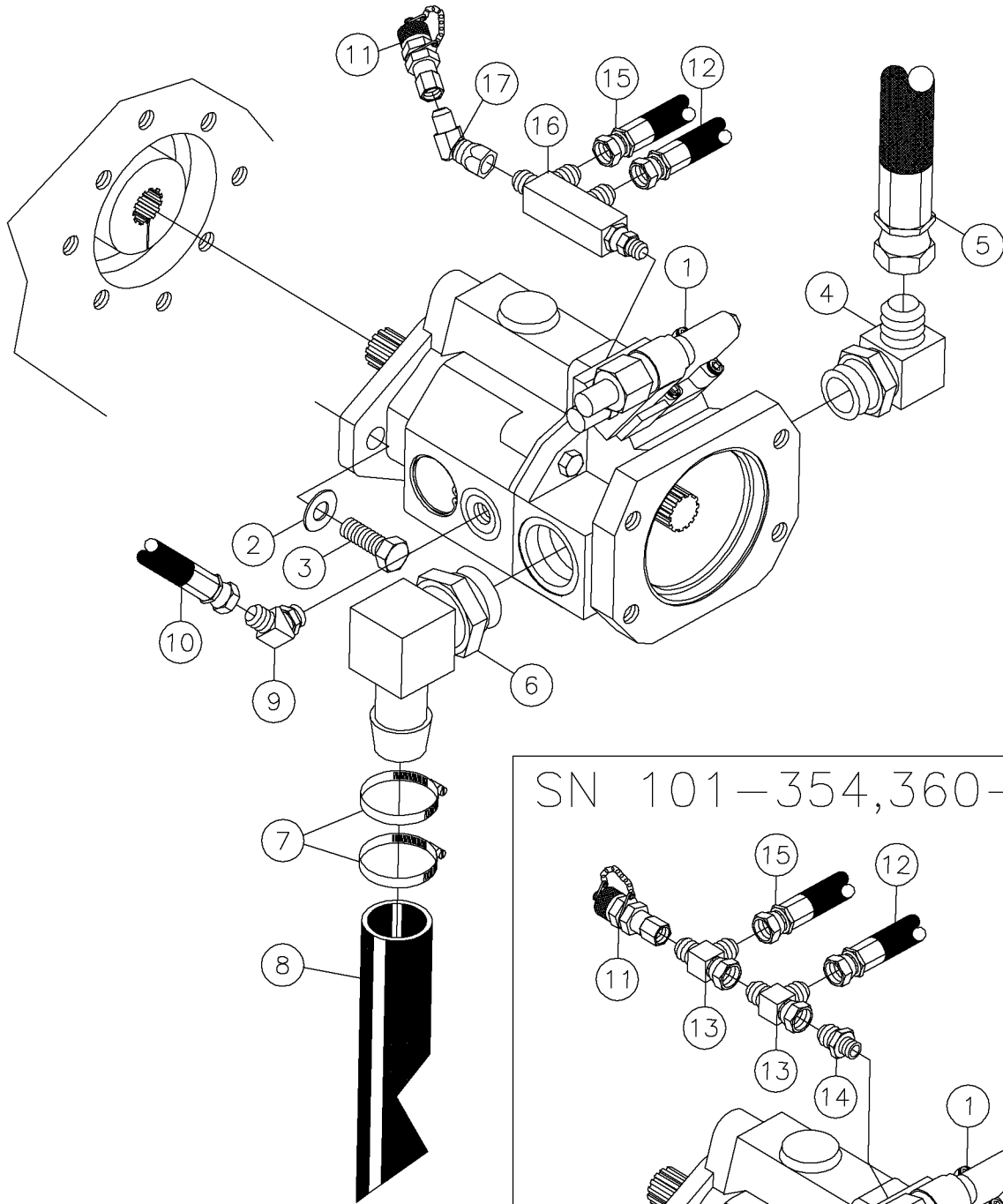
Hyd Pump - Implement Fig 2-5r07



Hyd Pump - Implement Fig 2-5r07

| REF. NO. | * | PART NO. | DESCRIPTION | QTY. | REMARKS |
|----------|---|---------------|--|------|-------------------------------|
| | | Revision Date | October, 2005 | | Update In Illus.& Parts List. |
| 1 | | 251565003 | PUMP - VARIABLE DISPLACEMENT | 1 | S/N 101-779 |
| 1 | | 282142003 | PUMP-VARIABLE DISPLACEMENT | 1 | S/N 780- |
| 1 | | 235621005 | SEAL KIT-PUMP/COMPENSATOR | 1 | |
| | | 255052083 | O-RING | 1 | Between Compensator & Housing |
| | | 255052081 | GASKET | 1 | Between Compensator & Housing |
| 1 | | 235621007 | COMPENSATOR ASSY 3250-3350 | 1 | |
| 2 | | 485025 | WASHER-1/2 FLAT-HARDENED-ZINC | 2 | |
| 3 | | 24772001 | BOLT-12M X 35 GR. 8.8 HEX HEAD | 2 | |
| 4 | | 78057001 | FITTING-16MX12M JIC 90 DEG | 1 | |
| 5 | | 53845725 | HOSE-3/4X13 12FSJICST/90 3000 | 1 | |
| 6 | | 99999001 | FITTING-20MORINGX1 1/4BEAD 90 | 1 | |
| 7 | | 1580007 | HOSE CLAMP - 1 1/2" | 2 | |
| 8 | | 626095 | LP HOSE 1 1/4" - 16.50 | 1 | |
| 9 | | 65563001 | 6M X 6M JIC 45 DEGREE | 1 | |
| 10 | | 57940035 | HOSE-3/8X28 6FS JIC 100R1 | 1 | |
| 11 | | 296280278 | FITTING - TEST - 6FSJ - 16MTP WITH ORING | 1 | |
| 12 | | 57940383 | HOSE-3/8X12 6FS JIC 5000 PSI | 1 | |
| 13 | | 59427001 | TEE-6M JIC BCH 6FS JIC X6M JIC | 2 | |
| 14 | | 65569001 | 4M X 6M JIC ST | 1 | |
| 15 | | 57940407 | HOSE-3/8X32 6FS JIC 4000 PSI | 1 | |
| 16 | * | 279367001 | FILTER-4MORX6 FOR 100 MICRON | 1 | PN Change |
| 17 | | 59419001 | 6M JICX6FS JIC 45 DEG.ELBOW | 1 | |
| 18 | | 65566001 | FITTING-6M ORING X 6M JIC ST | 1 | S/N 355-359, 376- |

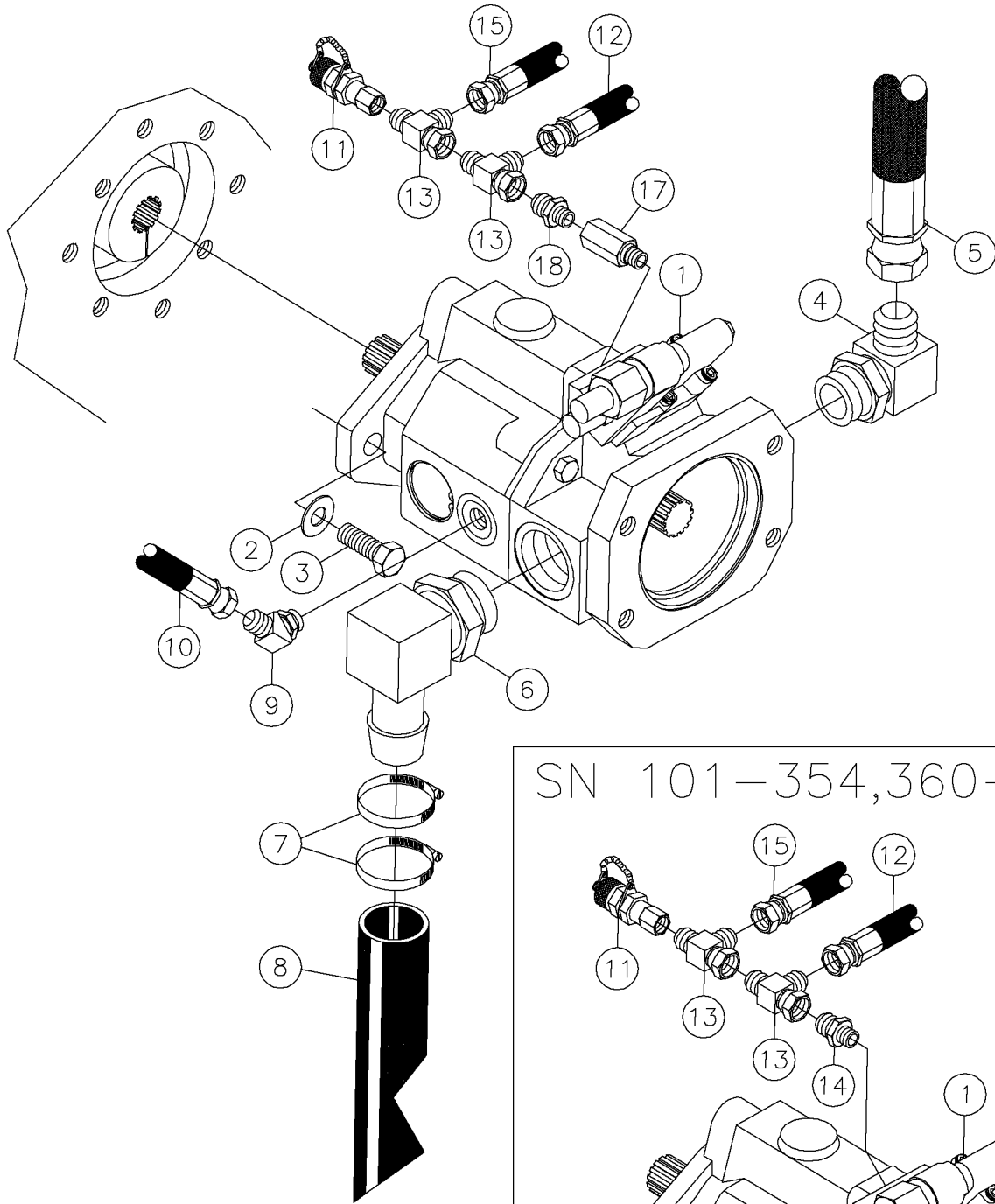
Hyd Pump - Implement Fig 2-5r06



Hyd Pump - Implement Fig 2-5r06

| REF. NO. | * | PART NO. | DESCRIPTION | QTY. | REMARKS |
|----------|---|---------------|--|------|--------------------------------------|
| | | Revision Date | May, 2005 | | Update In Illustration & Parts List. |
| 1 | | 251565003 | PUMP - VARIABLE DISPLACEMENT | 1 | S/N 101-779 |
| 1 | | 282142003 | PUMP-VARIABLE DISPLACEMENT | 1 | S/N 780- |
| 1 | | 235621005 | SEAL KIT-PUMP/COMPENSATOR | 1 | |
| | | 255052083 | O-RING | 1 | Between Compensator & Housing |
| | | 255052081 | GASKET | 1 | Between Compensator & Housing |
| 1 | | 235621007 | COMPENSATOR ASSY 3250-3350 | 1 | |
| 2 | | 485025 | WASHER-1/2 FLAT-HARDENED-ZINC | 2 | |
| 3 | | 24772001 | BOLT-12M X 35 GR. 8.8 HEX HEAD | 2 | |
| 4 | | 78057001 | FITTING-16MX12M JIC 90 DEG | 1 | |
| 5 | | 53845725 | HOSE-3/4X13 12FSJICST/90 3000 | 1 | |
| 6 | | 99999001 | FITTING-20MORINGX1 1/4BEAD 90 | 1 | |
| 7 | | 1580007 | HOSE CLAMP - 1 1/2" | 2 | |
| 8 | | 626095 | LP HOSE 1 1/4" - 16.50 | 1 | |
| 9 | | 65563001 | 6M X 6M JIC 45 DEGREE | 1 | |
| 10 | | 57940035 | HOSE-3/8X28 6FS JIC (100R1) | 1 | |
| 11 | | 296280278 | FITTING - TEST - 6FSJ - 16MTP WITH ORING | 1 | |
| 12 | | 57940383 | HOSE-3/8X12 6FS JIC 5000 PSI | 1 | |
| 13 | | 59427001 | TEE-6M JIC BCH 6FS JIC X6M JIC | 2 | |
| 14 | | 65569001 | 4M X 6M JIC ST | 1 | |
| 15 | | 57940407 | HOSE-3/8X32 6FS JIC 4000 PSI | 1 | |
| 16 | | 296280345 | FITTING - FILTER 100 MICRON S.S. KNITTED | 1 | |
| 17 | | 59419001 | 6M JICX6FS JIC 45 DEG.ELBOW | 1 | |
| 18 | | 65566001 | FITTING-6M ORING X 6M JIC ST | 1 | S/N 355-359, 376- |

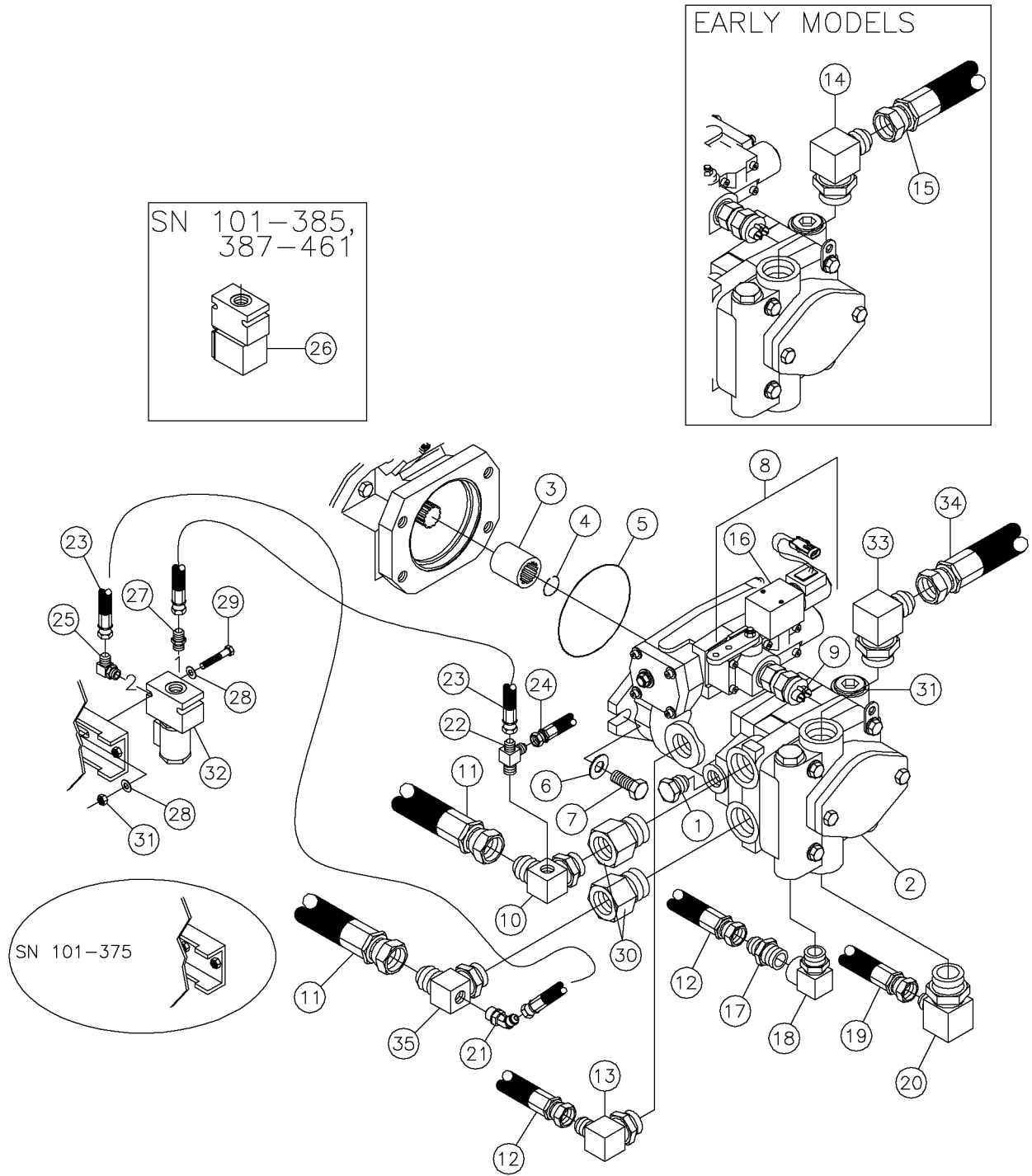
Hyd Pump - Implement Fig 2-5r05



Hyd Pump - Implement Fig 2-5r05

| REF. NO. | * | PART NO. | DESCRIPTION | QTY. | REMARKS |
|----------|---|---------------|--------------------------------|------|--------------------------------------|
| | | Revision Date | July, 2002 | | Update In Illustration & Parts List. |
| 1 | | 251565003 | PUMP - VARIABLE DISPLACEMENT | 1 | S/N 101-779 |
| 1 | | 282142003 | PUMP-VARIABLE DISPLACEMENT | 1 | S/N 780- |
| 1 | | 235621005 | SEAL KIT-PUMP/COMPENSATOR | 1 | |
| | * | 255052083 | O-RING | 1 | Between Compensator & Housing |
| | * | 255052081 | GASKET | 1 | Between Compensator & Housing |
| 1 | | 235621007 | COMPENSATOR ASSY 3250-3350 | 1 | |
| 2 | | 485025 | WASHER-1/2 FLAT-HARDENED-ZINC | 2 | |
| 3 | | 24772001 | BOLT-12M X 35 GR. 8.8 HEX HEAD | 2 | |
| 4 | | 78057001 | FITTING-16MX12M JIC 90 DEG | 1 | |
| 5 | | 53845725 | HOSE-3/4X13 12FSJICST/90 3000 | 1 | |
| 6 | | 99999001 | FITTING-20MORINGX1 1/4BEAD 90 | 1 | |
| 7 | | 1580007 | HOSE CLAMP - 1 1/2" | 2 | |
| 8 | | 626095 | LP HOSE 1 1/4" - 16.50 | 1 | |
| 9 | | 65563001 | 6M X 6M JIC 45 DEGREE | 1 | |
| 10 | | 57940035 | HOSE-3/8X28 6FS JIC (100R1) | 1 | |
| 11 | | 130600001 | COUPLER-DIAGNOSTIC, 6FJIC | 1 | |
| 12 | | 57940383 | HOSE-3/8X12 6FS JIC 5000 PSI | 1 | |
| 13 | | 59427001 | TEE-6M JIC BCH 6FS JIC X6M JIC | 2 | |
| 14 | | 65569001 | 4M X 6M JIC ST | 1 | |
| 15 | | 57940407 | HOSE-3/8X32 6FS JIC 4000 PSI | 1 | |
| 16 | | 88530001 | FITTING-4MX6F SOLID REDUCER | 1 | |
| 17 | | 279367001 | FILTER-4MOR X 6FOR 100 MICRON | 1 | S/N 355-359, 376- |
| 18 | | 65566001 | FITTING-6M ORING X 6M JIC ST | 1 | S/N 355-359, 376- |

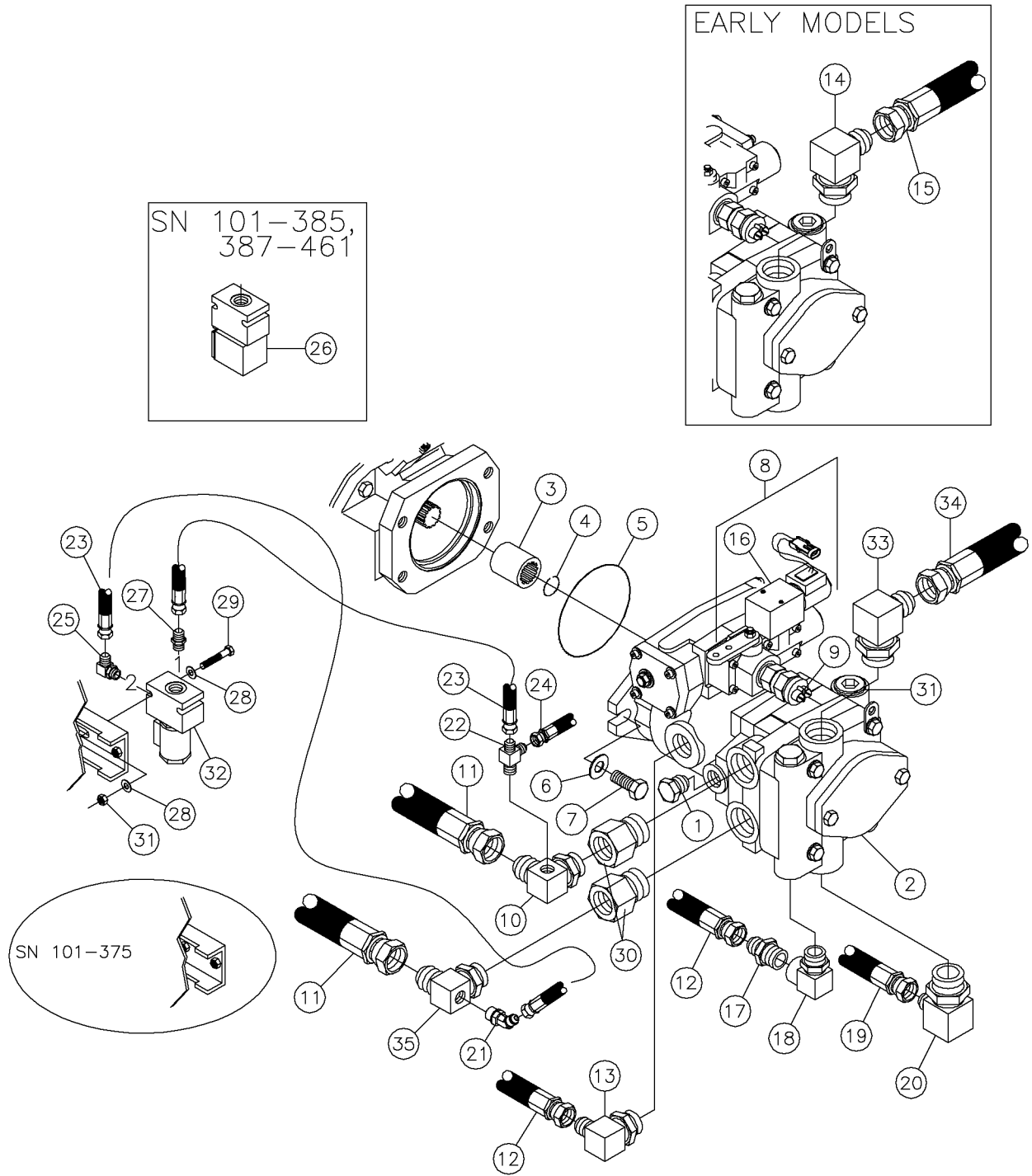
Hyd Pump - Rotation Fig 2-6r09



Hyd Pump - Rotation Fig 2-6r09

| REF. NO. | * | PART NO. | DESCRIPTION | QTY. | REMARKS |
|----------|---|---------------|--|------|-----------------------|
| | | Revision Date | May, 2006 | | Update In Parts List. |
| 1 | | 56218001 | FITTING - PLUG - 8MORB - HEX | 1 | |
| 2 | | 282142005 | PUMP - 3.00 CID REAR TANDEM | 1 | S/N 780- |
| | | 235621011 | SEAL KIT-PUMP (W/ MANUAL CONT) | 1 | |
| | | 235621013 | SEAL KIT-MANUAL CONTROL | 1 | |
| 3 | | 235621015 | COUPLER | 1 | |
| 4 | | 235621017 | LOCK RING | 1 | |
| 5 | | 235621019 | O-RING | 1 | |
| 6 | | 235621021 | WASHER | 2 | |
| 7 | | 235621023 | CAP SCREW | 2 | |
| 8 | | 223978113 | SERVO CONTROL ASSY | 1 | Incl. Ref. 16 |
| | | 223978111 | GASKET-CONTROL HOUSING | 1 | |
| | | 251565009 | ORIFICE | 1 | |
| | | 223978013 | DESTROKE VALVE ASSY 12V | 1 | |
| 9 | | 235621037 | SWITCH-NEUTRAL LOCKOUT | 1 | |
| 10 | | 296280243 | FITTING-90-12MJ-12MORBA-6FJ | 1 | |
| 11 | | 251648001 | HOSE-3/4X153 12FSJIC ST/90 M3K | 2 | |
| 12 | | 53844677 | HOSE-1/2X19 8FSJIC 100R1 | 2 | |
| 13 | | 57949001 | FITTING-12MX8M JIC 90 DEG. EL. | 1 | |
| 14 | | 78057001 | FITTING-90-12MJ-16MORBA | 1 | |
| 15 | | 53845677 | HOSE-3/4X27 12FSJIC-12FSJIC 45 | 1 | |
| 16 | | 251565011 | VALVE - DESTROKE | 1 | |
| | | 905554003 | O-RING | 2 | |
| 17 | | 53826001 | #10M O-RING-#8M JIC ST. | 1 | |
| 18 | | 235616001 | FITTING-10M X 10F 90 | 1 | |
| 19 | | 53844291 | HOSE-1/2X26 8FS JIC 2000 PSI | 1 | |
| 20 | | 235615001 | FITTING-16M ORING X 8M JIC 90 | 1 | |
| 21 | | 82931001 | FITTING-45-4MJX6MORBA | 1 | |
| 22 | | 81343001 | 4M (BCH)X4M JICX4M JIC TEE | 1 | |
| 23 | | 53843497 | HOSE-1/4X13 4FS JIC 5000 PSI | 2 | |
| 24 | | 53843243 | HOSE-1/4X130 4FS JIC 3000 PSI | 1 | |
| 25 | | 59423001 | FIT-4M JICX4M ADJ.90 DEG.ELBOW | 1 | |
| 26 | | 248106001 | VALVE-2 WAY NC SOLENOID | 1 | S/N 101-385, 387-461 |
| 27 | | 60908001 | FITTING-4MX4M JIC STR ADAPTER | 1 | |
| 28 | | 235716001 | WASHER - FLATSTRL - .25 - .28 X .63 - .06 - CZ | 3 | S/N 376- |
| 29 | | 248107001 | BOLT-1/4-20X1 3/4 GR 8 ZINC PL | 2 | |
| 30 | | 71252001 | FITTING - STR - 16MORB - 12FORB | 2 | |
| 31 | | 248198001 | NUT-1/4 - 20 GR8 TOP LOCK ZINC | 1 | S/N 376- |
| 32 | | 282521001 | VALVE - 2PZW | 1 | S/N 386, 462- |
| 33 | | 61703001 | FITTING-90-16MJ-16MORBA | 1 | |
| 34 | | 275135001 | HOSE-1X28 16FSJIC ST/45 100R4 | 1 | |
| 35 | | 296280344 | FITTING-90-12MJ-12MORBA-P4-6FJ | 1 | |

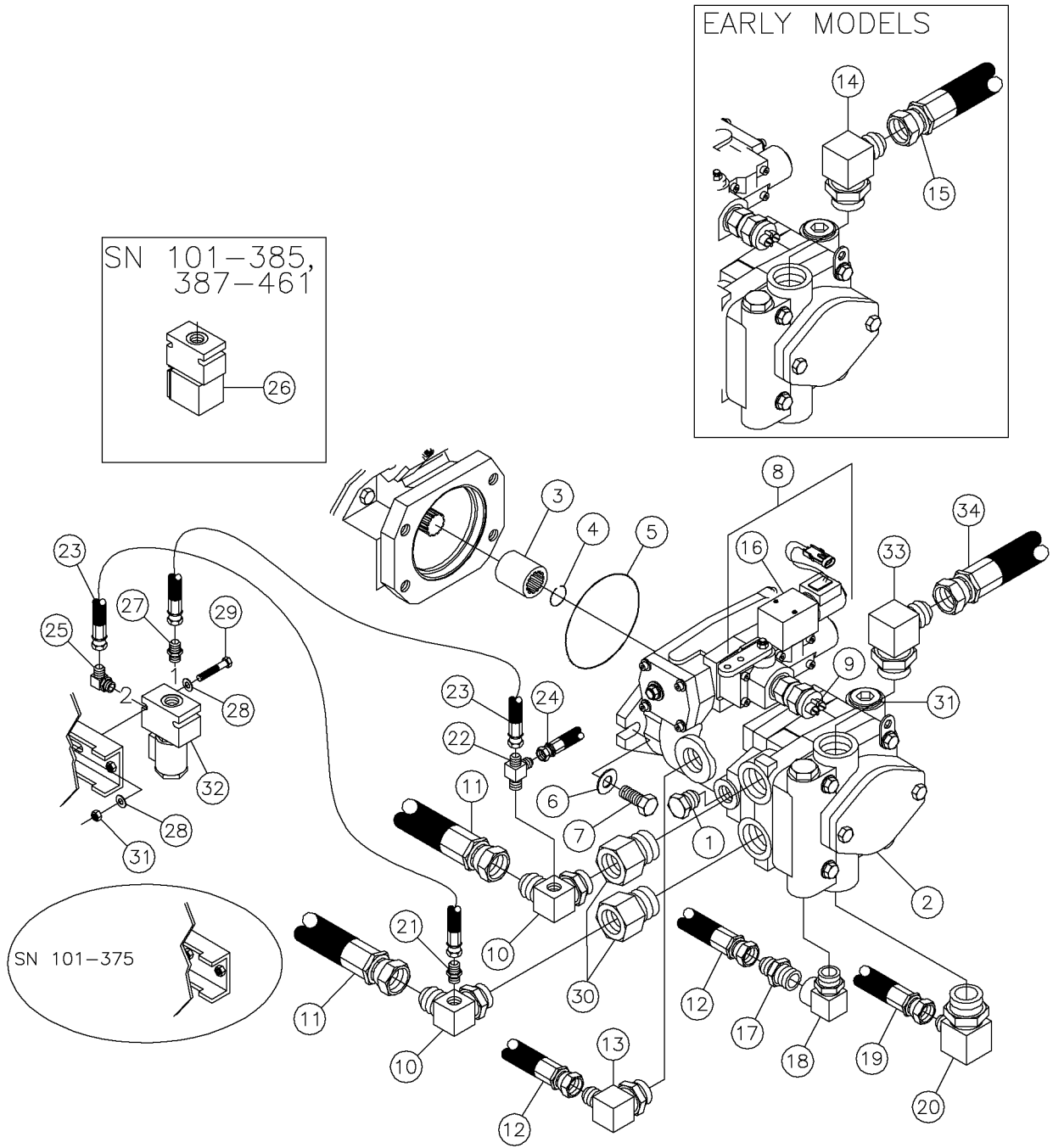
Hyd Pump - Rotation Fig 2-6r08



Hyd Pump - Rotation Fig 2-6r08

| REF. NO. | * | PART NO. | DESCRIPTION | QTY. | REMARKS |
|----------|---|---------------|--|------|-----------------------|
| | | Revision Date | May, 2005 | | Update In Parts List. |
| 1 | | 56218001 | FITTING - PLUG - 8MORB - HEX | 1 | |
| 2 | | 282142005 | PUMP - 3.00 CID REAR TANDEM | 1 | S/N 780- |
| | | 235621011 | SEAL KIT-PUMP (W/ MANUAL CONT) | 1 | |
| | | 235621013 | SEAL KIT-MANUAL CONTROL | 1 | |
| 3 | | 235621015 | COUPLER | 1 | |
| 4 | | 235621017 | LOCK RING | 1 | |
| 5 | | 235621019 | O-RING | 1 | |
| 6 | | 235621021 | WASHER | 2 | |
| 7 | | 235621023 | CAP SCREW | 2 | |
| 8 | | 223978113 | SERVO CONTROL ASSY | 1 | Incl. Ref. 16 |
| | | 223978111 | GASKET-CONTROL HOUSING | 1 | |
| | | 251565009 | ORIFICE | 1 | |
| 9 | | 235621037 | SWITCH-NEUTRAL LOCKOUT | 1 | |
| 10 | | 296280243 | FITTING-90-12MJ-12MORBA-6FJ | 1 | |
| 11 | | 251648001 | HOSE-3/4X153 12FSJIC ST/90 M3K | 2 | |
| 12 | | 53844677 | HOSE-1/2X19 8FSJIC 100R1 | 2 | |
| 13 | | 57949001 | FITTING-12MX8M JIC 90 DEG. EL. | 1 | |
| 14 | | 78057001 | FITTING-90-12MJ-16MORBA | 1 | |
| 15 | | 53845677 | HOSE-3/4X27 12FSJIC-12FSJIC 45 | 1 | |
| 16 | | 251565011 | VALVE - DESTROKE | 1 | |
| | | 905554003 | O-RING | 2 | |
| 17 | | 53826001 | #10M O-RING-#8M JIC ST. | 1 | |
| 18 | | 235616001 | FITTING-10M X 10F 90 | 1 | |
| 19 | | 53844291 | HOSE-1/2X26 8FS JIC 2000 PSI | 1 | |
| 20 | | 235615001 | FITTING-16M ORING X 8M JIC 90 | 1 | |
| 21 | | 82931001 | FITTING-45-4MJX6MORBA | 1 | |
| 22 | | 81343001 | 4M (BCH)X4M JICX4M JIC TEE | 1 | |
| 23 | | 53843497 | HOSE-1/4X13 4FS JIC 5000 PSI | 2 | |
| 24 | | 53843243 | HOSE-1/4X130 4FS JIC 3000 PSI | 1 | |
| 25 | | 59423001 | FIT-4M JICX4M ADJ.90 DEG.ELBOW | 1 | |
| 26 | | 248106001 | VALVE-2 WAY NC SOLENOID | 1 | S/N 101-385, 387-461 |
| 27 | | 60908001 | FITTING-4MX4M JIC STR ADAPTER | 1 | |
| 28 | | 235716001 | WASHER - FLATSTRL - .25 - .28 X .63 - .06 - CZ | 3 | S/N 376- |
| 29 | | 248107001 | BOLT-1/4-20X1 3/4 GR 8 ZINC PL | 2 | |
| 30 | | 71252001 | FITTING - STR - 16MORB - 12FORB | 2 | |
| 31 | | 248198001 | NUT-1/4 - 20 GR8 TOP LOCK ZINC | 1 | S/N 376- |
| 32 | | 282521001 | VALVE - 2PZW | 1 | S/N 386, 462- |
| 33 | | 61703001 | FITTING-90-16MJ-16MORBA | 1 | |
| 34 | | 275135001 | HOSE-1X28 16FSJIC ST/45 100R4 | 1 | |
| 35 | | 296280344 | FITTING-90-12MJ-12MORBA-P4-6FJ | 1 | |

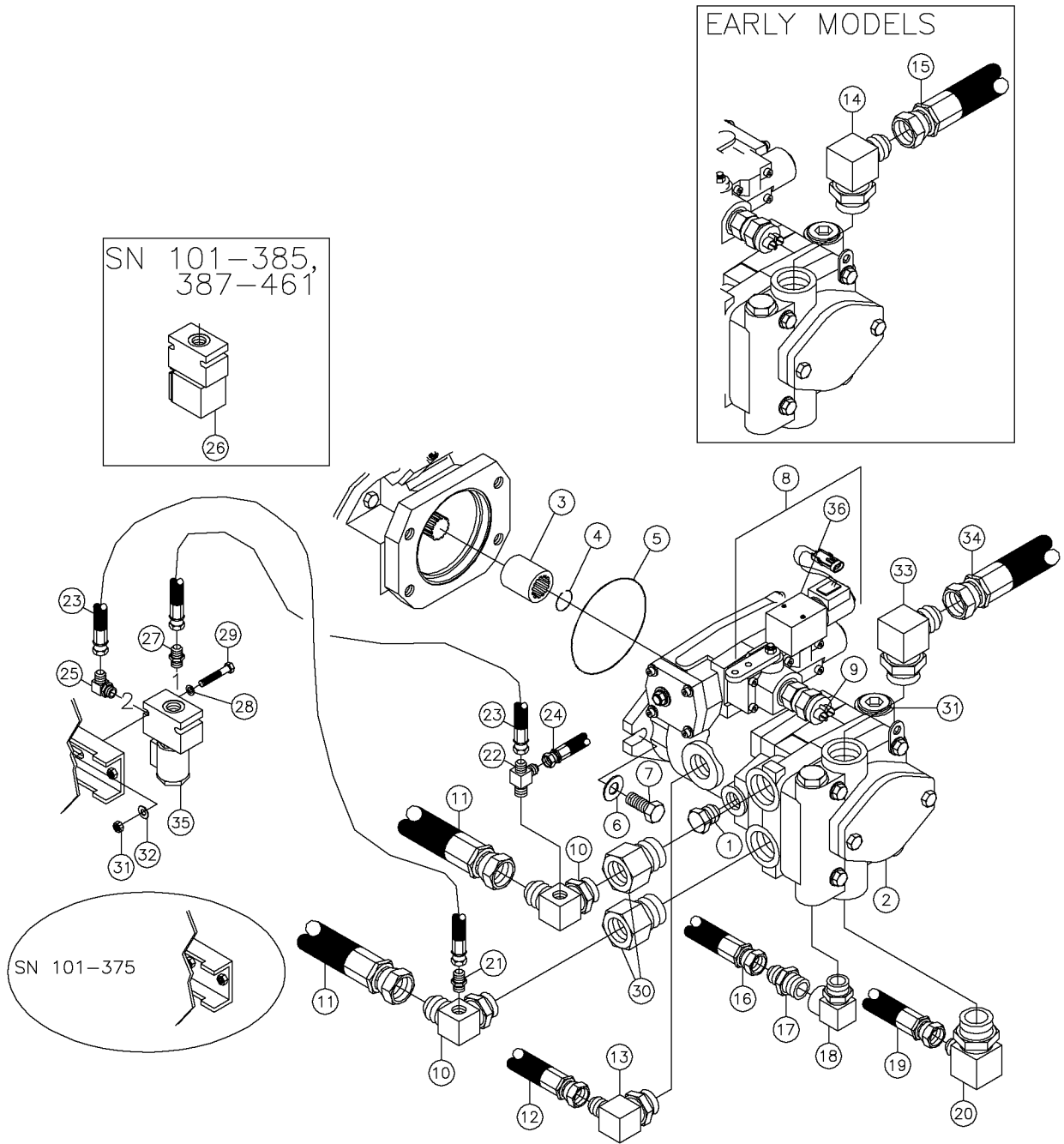
Hyd Pump - Rotation Fig 2-6r07



Hyd Pump - Rotation Fig 2-6r07

| REF. NO. | * | PART NO. | DESCRIPTION | QTY. | REMARKS |
|----------|---|---------------|--|------|--------------------------------------|
| | | Revision Date | September, 2004 | | Update In Illustration & Parts List. |
| 1 | | 56218001 | FITTING - PLUG - 8MORB - HEX | 1 | |
| 2 | | 251565005 | PUMP - VARIABLE DISPLACEMENT | 1 | S/N 101-779 |
| | | 282142005 | PUMP - 3.00 CID REAR TANDEM | 1 | S/N 780- |
| | | 235621011 | SEAL KIT-PUMP (W/ MANUAL CONT) | 1 | |
| | | 235621013 | SEAL KIT-MANUAL CONTROL | 1 | |
| 3 | | 235621015 | COUPLER | 1 | |
| 4 | | 235621017 | LOCK RING | 1 | |
| 5 | | 235621019 | O-RING | 1 | |
| 6 | | 235621021 | WASHER | 2 | |
| 7 | | 235621023 | CAP SCREW | 2 | |
| 8 | | 223978113 | SERVO CONTROL ASSY | 1 | Incl. Ref. 16 |
| | | 223978111 | GASKET-CONTROL HOUSING | 1 | |
| | | 251565009 | ORIFICE | 1 | |
| 9 | | 235621037 | SWITCH-NEUTRAL LOCKOUT | 1 | |
| 10 | | 77067001 | FITTING-PRESSURE CHECK | 2 | |
| 11 | | 251648001 | HOSE-3/4X153 12FSJIC ST/90 M3K | 2 | |
| 12 | | 53844677 | HOSE-1/2X19 8FSJIC 100R1 | 2 | |
| 13 | | 57949001 | FITTING-12MX8M JIC 90 DEG. EL. | 1 | |
| 14 | | 78057001 | FITTING-90-12MJ-16MORBA | 1 | |
| 15 | | 53845677 | HOSE-3/4X27 12FSJIC-12FSJIC 45 | 1 | |
| 16 | | 251565011 | VALVE - DESTROKE | 1 | |
| | | 905554003 | O-RING | 2 | |
| 17 | | 53826001 | #10M O-RING-#8M JIC ST. | 1 | |
| 18 | | 235616001 | FITTING-10M X 10F 90 | 1 | |
| 19 | | 53844291 | HOSE-1/2X26 8FS JIC 2000 PSI | 1 | |
| 20 | | 235615001 | FITTING-16M ORING X 8M JIC 90 | 1 | |
| 21 | | 67849001 | 1/4 M X 4M JIC ST. | 1 | |
| 22 | | 68822001 | FITTING-1/4MX4M JIC(BCH)X4MJIC | 1 | |
| 23 | | 53843497 | HOSE-1/4X13 4FS JIC 5000 PSI | 2 | |
| 24 | | 53843243 | HOSE-1/4X130 4FS JIC 3000 PSI | 1 | |
| 25 | | 59423001 | FIT-4M JICX4M ADJ.90 DEG.ELBOW | 1 | |
| 26 | | 248106001 | VALVE-2 WAY NC SOLENOID | 1 | S/N 101-385, 387-461 |
| 27 | | 60908001 | FITTING-4MX4M JIC STR ADAPTER | 1 | |
| 28 | | 235716001 | WASHER - FLATSTRL - .25 - .28 X .63 - .06 - CZ | 3 | S/N 376- |
| 29 | | 248107001 | BOLT-1/4-20X1 3/4 GR 8 ZINC PL | 2 | |
| 30 | | 71252001 | FITTING - STR - 16MORB - 12FORB | 2 | |
| 31 | | 248198001 | NUT-1/4 - 20 GR8 TOP LOCK ZINC | 1 | S/N 376- |
| 32 | | 282521001 | VALVE - 2PZW | 1 | S/N 386, 462- |
| 33 | | 61703001 | FITTING-90-16MJ-16MORBA | 1 | |
| 34 | | 275135001 | HOSE-1X28 16FSJIC ST/45 100R4 | 1 | |

Hyd Pump - Rotation Fig 2-6r06

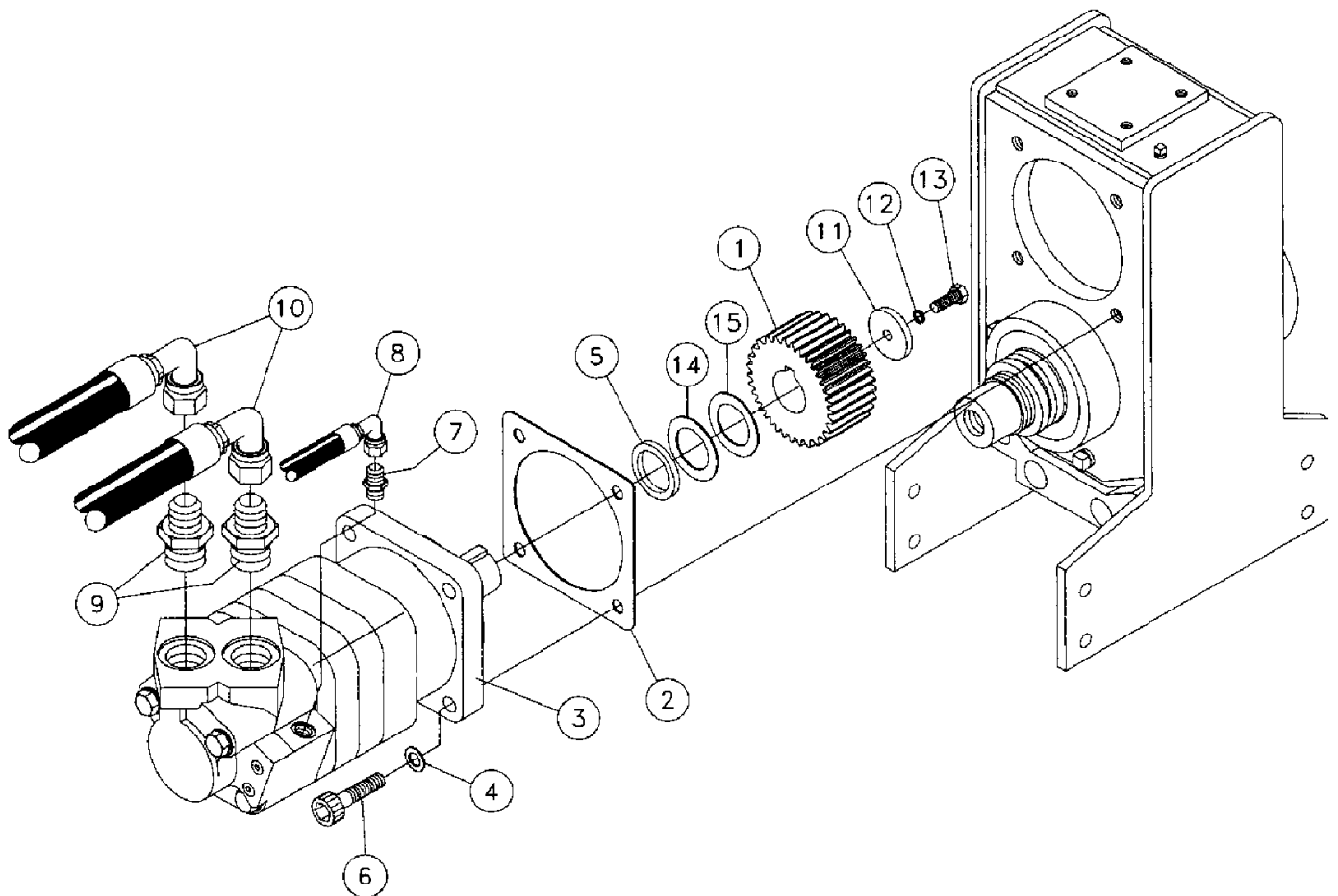


Hyd Pump - Rotation Fig 2-6r06

| REF. NO. | * | PART NO. | DESCRIPTION | QTY. | REMARKS |
|----------|---|---------------|--------------------------------|------|--------------------------------------|
| | | Revision Date | July, 2002 | | Update In Illustration & Parts List. |
| 1 | | 56218001 | PLUG-#8M | 1 | |
| 2 | | 251565005 | PUMP - VARIABLE DISPLACEMENT | 1 | S/N 101-779 |
| | | 282142005 | PUMP-VARIABLE DISPLACEMENT | 1 | S/N 780- |
| | | 235621011 | SEAL KIT-PUMP (W/ MANUAL CONT) | 1 | |
| | | 235621013 | SEAL KIT-MANUAL CONTROL | 1 | |
| 3 | | 235621015 | COUPLER | 1 | |
| 4 | | 235621017 | LOCK RING | 1 | |
| 5 | | 235621019 | O-RING | 1 | |
| 6 | | 235621021 | WASHER | 2 | |
| 7 | | 235621023 | CAP SCREW | 2 | |
| 8 | * | 223978113 | SERVO CONTROL ASSY | 1 | Incl. Ref. 36 |
| | | 223978111 | GASKET-CONTROL HOUSING | 1 | |
| | * | 251565009 | ORIFICE | 1 | |
| 9 | | 235621037 | SWITCH-NEUTRAL LOCKOUT | 1 | |
| 10 | | 77067001 | FITTING-PRESSURE CHECK | 2 | |
| 11 | | 251648001 | HOSE-3/4X153 12FSJIC ST/90 M3K | 2 | |
| 12 | | 53844677 | HOSE-1/2X19 8FS JIC (100R1) | 1 | |
| 13 | | 57949001 | FITTING-12MX8M JIC 90 DEG. EL. | 1 | |
| 14 | | 78057001 | FITTING-16MX12M JIC 90 DEG | 1 | |
| 15 | | 53845677 | HOSE-3/4X27 12FSJIC-12FSJIC 45 | 1 | |
| 16 | | 53844677 | HOSE-1/2X19 8FSJIC 100R1 | 1 | |
| 17 | | 53826001 | #10M O-RING-#8M JIC ST. | 1 | |
| 18 | | 235616001 | FITTING-10M X 10F 90 | 1 | |
| 19 | | 53844291 | HOSE-1/2X26 8FS JIC 2000 PSI | 1 | |
| 20 | | 235615001 | FITTING-16M ORING X 8M JIC 90 | 1 | |
| 21 | | 67849001 | 1/4 M X 4M JIC ST. | 1 | |
| 22 | | 68822001 | FITTING-1/4MX4M JIC(BCH)X4MJIC | 1 | |
| 23 | | 53843497 | HOSE-1/4X13 4FS JIC 5000 PSI | 2 | |
| 24 | | 53843243 | HOSE-1/4X130 4FS JIC 3000 PSI | 1 | |
| 25 | | 59423001 | FIT-4M JICX4M ADJ.90 DEG.ELBOW | 1 | |
| 26 | | 248106001 | VALVE-2 WAY NC SOLENOID | 1 | S/N 101-385, 387-461 |
| 27 | | 60908001 | FITTING-4MX4M JIC STR ADAPTER | 1 | |
| 28 | | 235716001 | WASHER-1/4 SAE HARD ZINC PLTD | 2 | |
| 29 | | 248107001 | BOLT-1/4-20X1 3/4 GR 8 ZINC PL | 2 | |
| 30 | | 71252001 | FITTING-12FX16M ADAPTER | 2 | |
| 31 | | 248198001 | NUT-1/4-20 GR8 TOP LOCK ZINC | 1 | S/N 376- |
| 32 | | 235716001 | WASHER-1/4 SAE HARD ZINC PLTD | 1 | S/N 376- |
| 33 | | 61703001 | FITTING-16M X 16M JIC 90 DEG | 1 | |
| 34 | | 275135001 | HOSE-1X28 16FS JIC ST/45 100R4 | 1 | |
| 35 | | 282521001 | VALVE - 2 WAY N/C SOLENOID | 1 | S/N 386, 462- |
| 36 | * | 251565011 | VALVE - DESTROKE | 1 | |
| | * | 905554003 | O-RING | 2 | |

Rotation Drive Motor Fig 2-7r02

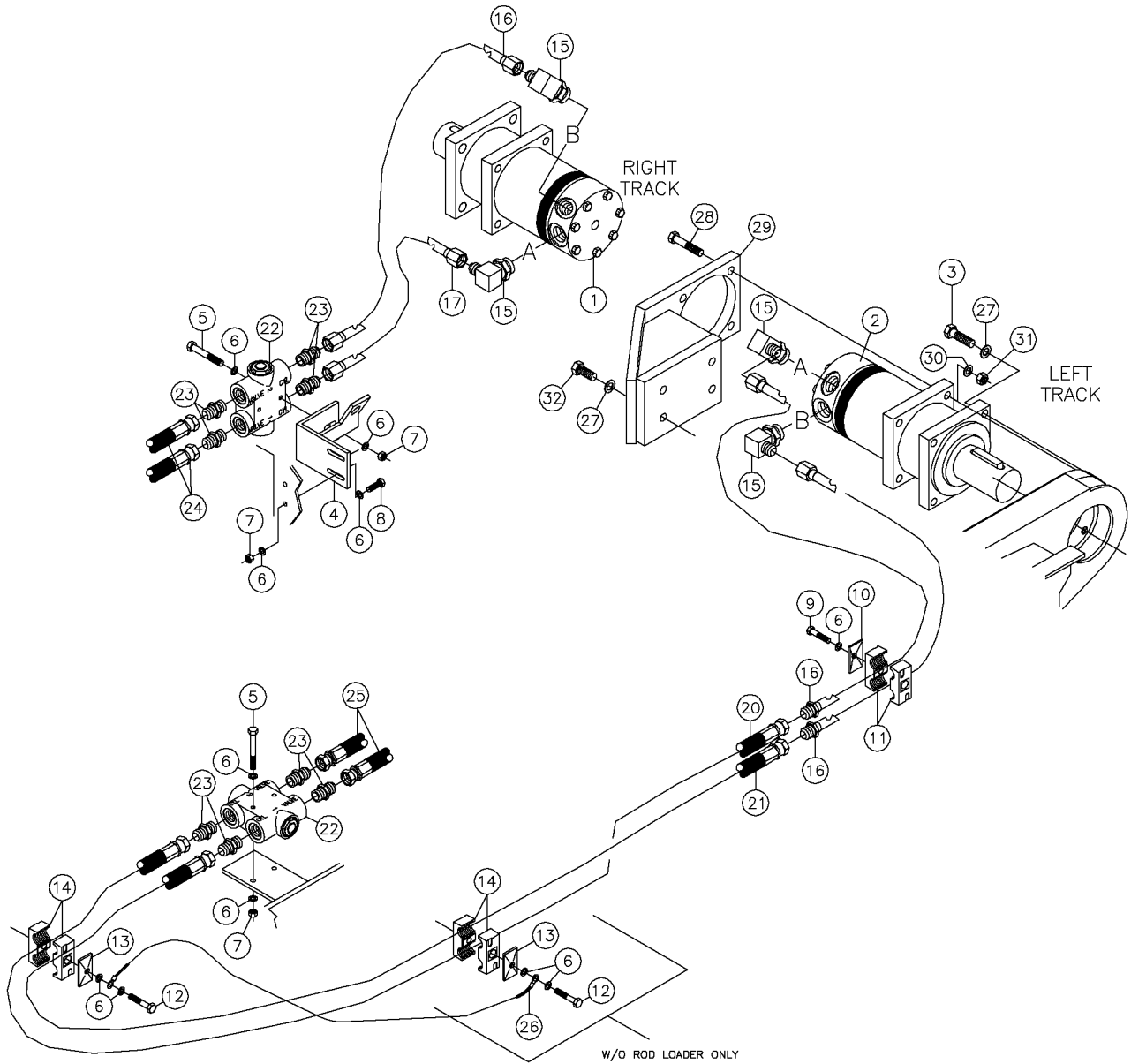
Revised June 1999 due to correction
in parts list. Changed part marked with *.



Rotation Drive Motor Fig 2-7r02

| REF. NO. | * | PART NO. | DESCRIPTION | QTY. | REMARKS |
|----------|---|---------------|--------------------------------|------|-----------------------|
| | | Revision Date | June, 1999 | | |
| 1 | | 235610001 | GEAR-32 TOOTH | 1 | |
| 2 | | 217035001 | GASKET-.020 4 BOLT | 1 | |
| 3 | * | 235642001 | MOTOR-29.9 CU IN 6000 SER HYD | 1 | Breakdown Fig 2-26 |
| 4 | | 485025 | WSHER-1/2 FLAT-HARDENED-ZINC | 4 | |
| 5 | | 235663001 | TUBE-GEAR SPACER | 1 | |
| 6 | | 55419001 | SCREW-1/2-13X2 SOCKET HEAD CAP | 4 | |
| 7 | | 65565001 | FITTING-6M X 6M JIC ST. | 1 | |
| 8 | | 251604001 | HOSE-3/8X190 6FSJIC ST/90 3000 | 1 | |
| 9 | | 70008001 | FITTING-16M X 12M JIC STR. | 2 | |
| 10 | | 251648001 | HOSE-3/4X153 12FSJIC ST/90 M3K | 2 | |
| 11 | | 902087001 | CAP-SHAFT | 1 | |
| 12 | | 235713001 | WASHER-3/8 SAE HARD ZINC PLTD | 1 | |
| 13 | | 235727001 | BOLT-3/8-16X1 GR8 HEX ZINC PLT | 1 | |
| 14 | | 483009 | WASHER-2 1/4X1 1/2X14 GA M.B. | AR | P/N Qty Of 1 = 1 Each |
| 15 | | 4542001 | WSHR-2 1/4OD X 1 1/2ID-18GA MB | AR | P/N Qty Of 1 = 1 Each |

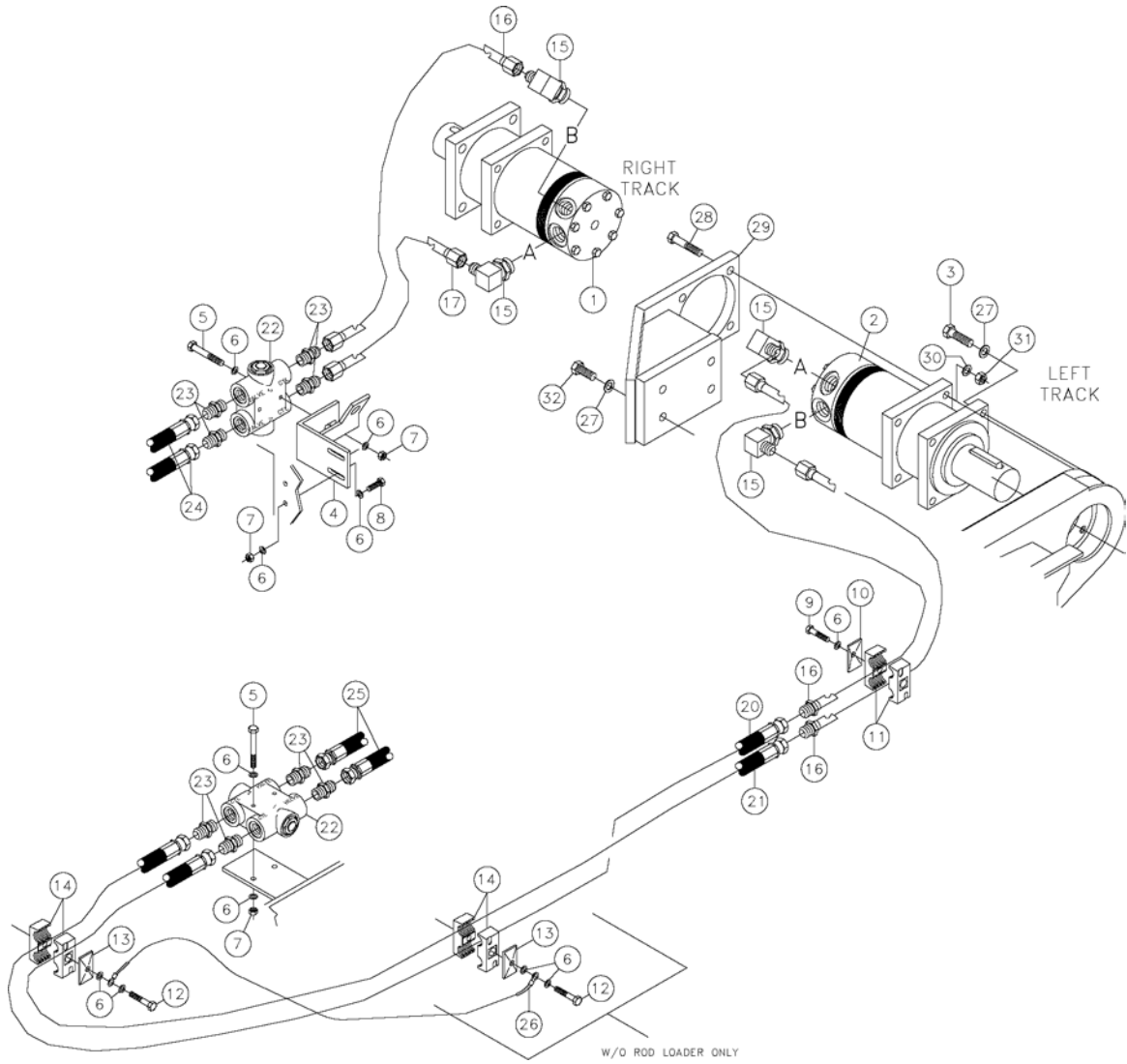
Track Drive Motor (S/N 944-) Fig 2-8r09



Track Drive Motor (S/N 944-) Fig 2-8r09

| REF. NO. | * | PART NO. | DESCRIPTION | QTY. | REMARKS |
|----------|---|---------------|------------------------------------|------|---|
| | | Revision Date | June, 2006 | | Update In Parts List. |
| 1 | | 289053001 | MOTOR-56 CU IN HYDRAULIC R | 2 | Use When Equipped With A Rod Loader, Breakdown Fig 2-51 |
| | | 289055001 | MOTOR - 46 CU IN HYDRAULIC R | 2 | Use When Not Equipped With A Rod Loader, Breakdown Fig 2-50 |
| 2 | | 289054001 | MOTOR-56 CU IN HYDRAULIC L | 2 | Use When Equipped With A Rod Loader, Breakdown Fig 2-51 |
| | | 289056001 | MOTOR - 46 CU IN HYDRAULIC L | 2 | Use When Not Equipped With A Rod Loader, Breakdown Fig 2-50 |
| 3 | | 235718001 | BOLT-1/2-13X2 GR8 HEX ZINC PLT | 8 | |
| 4 | | 282064001 | MOUNT-VALVE | 1 | |
| 5 | | 248029001 | BOLT-5/16-18X2 1/2 GR 8 ZINC PL | 4 | |
| 6 | | 235714001 | WASHER-5/16 SAE HARD ZINC PLTD | 20 | |
| 7 | | 240333001 | NUT-5/6-18 GR 8 ZINC PLTD | 7 | |
| 8 | | 238209001 | BOLT-5/16-18X1 GR8 HEX ZINC PLTD | 14 | |
| 9 | | 279376001 | BOLT-5/16-18X1 1/2 GR 8 ZINC YC | 1 | |
| 10 | | 67846003 | PLATE-TWIN COVER | 1 | |
| 11 | | 67846005 | CLAMP-TWIN PAIR | 1 | |
| 12 | | 248030001 | BOLT-5/16-18X1 3/4 GR 8 ZINC PL | 2 | |
| 13 | | 72062005 | PLATE-TOP CLAMP | 2 | W/Rod Loader |
| 14 | | 72062007 | CLAMP-PAIR | 2 | W/Rod Loader |
| 15 | | 57949001 | FITTING-12M X 8M JIC 90 DEG. EL | 4 | |
| 16 | | 278255001 | TUBE-HYDRAULIC | 1 | |
| 17 | | 278254001 | TUBE-HYDRAULIC | 1 | |
| 18 | | 289208001 | TUBE - HYDRAULIC R/L | 1 | W/Rod Loader |
| | | 278255001 | TUBE-HYDRAULIC | 1 | W/O Rod Loader |
| 19 | | 289228001 | TUBE - HYDRAULIC R/L | 1 | W/Rod Loader |
| | | 278255001 | TUBE-HYDRAULIC | 1 | W/O Rod Loader |
| 20 | | 23844223 | HOSE-1/2X62 8FS JIC 3000 PSI | 1 | W/Rod Loader |
| | | 296280468 | HOSE-1/2X43 8FSJIC ST/ST 3000 PSI | 1 | W/O Rod Loader |
| 21 | | 282082010 | HOSE-1/2X61 8FS JIC ST/ST 3500 PSI | 1 | W/Rod Loader |
| | | 296280467 | HOSE-1/2X42 8FSJIC ST/ST 3000 PSI | 1 | W/O Rod Loader |
| 22 | | 275120001 | VALVE-LO10D LOCK | 2 | Breakdown Fig 2-34 |
| 23 | | 53826001 | #10M O-RING #8M JIC ST. | 8 | |
| 24 | | 23844145 | HOSE-1/2X102 8FS JIC 100R2 | 2 | |
| 25 | | 23844025 | HOSE-1/2X96 8FS JIC 100R2 | 2 | |
| 26 | * | 282128001 | STRAP - HOSE | 2 | Qty Change (W/O Rod Loader) |
| 27 | | 485025 | WASHER-1/2 FLAT-HARDENED-ZINC | 24 | |
| 28 | | 250573001 | BOLT-1/2-13 X 2 1/2 GR8 HX Y/Z | 8 | |
| 29 | | 296257121 | BRACE - LEFT MOTOR | 1 | |
| | | 296257120 | BRACE - RIGHT MOTOR | 1 | Not Shown |
| 30 | | 235721001 | BOLT-1/2-13X1 1/2 GR8 ZINC PLT | 8 | |
| 31 | | 75382001 | NUT-1/2-UNC GRADE 8 SLTL | 8 | |
| 32 | | 235737001 | BOLT-1/2-13X1 1/4 GR8 ZINC PLT | 8 | |

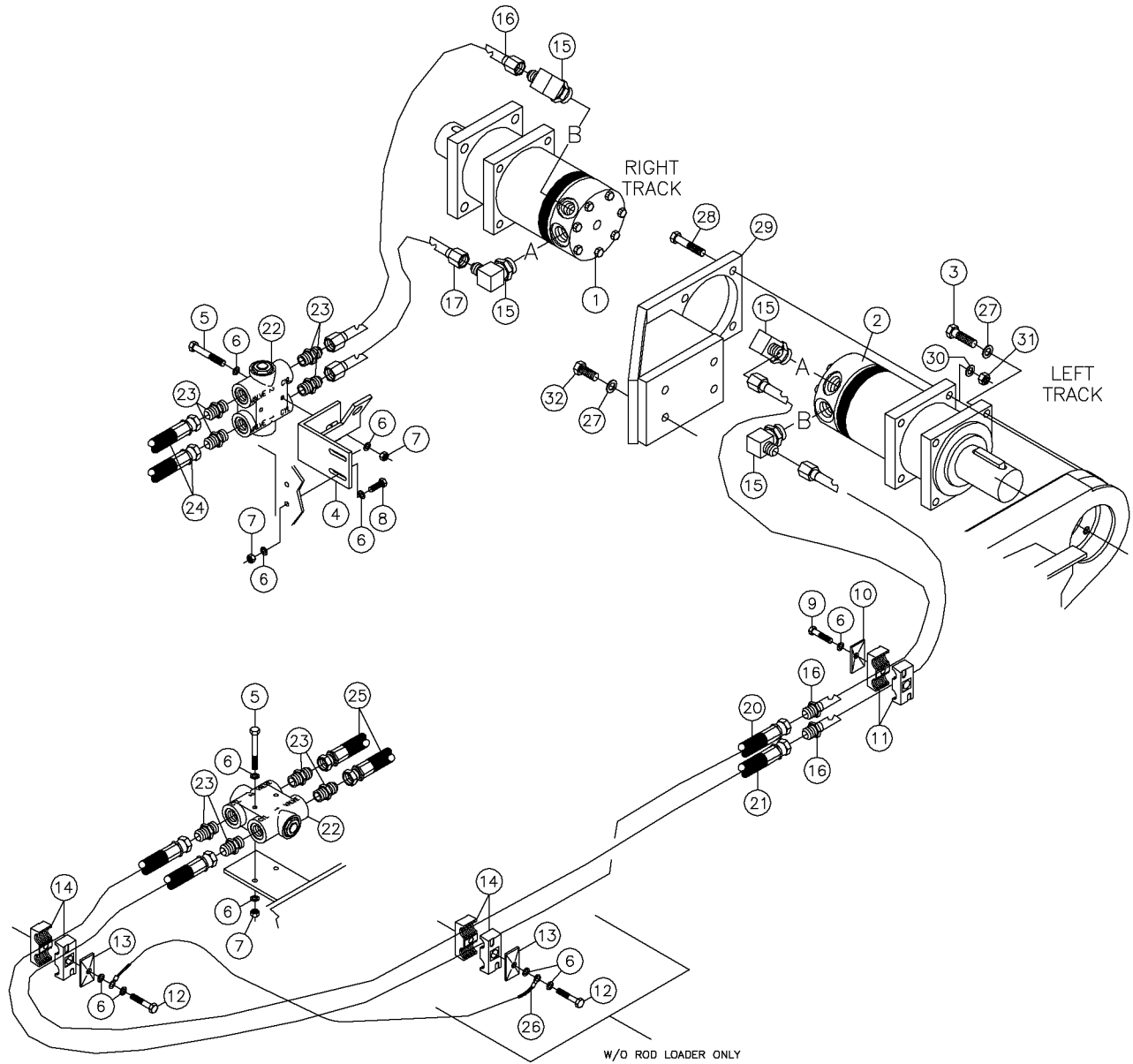
Track Drive Motor (S/N 944-) Fig 2-8r08



Track Drive Motor (S/N 944-) Fig 2-8r08

| REF. NO. | * | PART NO. | DESCRIPTION | QTY. | REMARKS |
|----------|---|---------------|------------------------------------|------|---|
| | | Revision Date | October, 2005 | | Update In Illus. & Parts List. |
| 1 | | 289053001 | MOTOR-56 CU IN HYDRAULIC R | 2 | Use When Equipped With A Rod Loader, Breakdown Fig 2-51 |
| | | 289055001 | MOTOR - 46 CU IN HYDRAULIC R | 2 | Use When Not Equipped With A Rod Loader, Breakdown Fig 2-50 |
| 2 | | 289054001 | MOTOR-56 CU IN HYDRAULIC L | 2 | Use When Equipped With A Rod Loader, Breakdown Fig 2-51 |
| | | 289056001 | MOTOR - 46 CU IN HYDRAULIC L | 2 | Use When Not Equipped With A Rod Loader, Breakdown Fig 2-50 |
| 3 | | 235718001 | BOLT-1/2-13X2 GR8 HEX ZINC PLT | 8 | |
| 4 | | 282064001 | MOUNT-VALVE | 1 | |
| 5 | | 248029001 | BOLT-5/16-18X2 1/2 GR 8 ZINC PL | 4 | |
| 6 | | 235714001 | WASHER-5/16 SAE HARD ZINC PLTD | 20 | |
| 7 | | 240333001 | NUT-5/6-18 GR 8 ZINC PLTD | 7 | |
| 8 | | 238209001 | BOLT-5/16-18X1 GR8 HEX ZINC PLTD | 14 | |
| 9 | | 279376001 | BOLT-5/16-18X1 1/2 GR 8 ZINC YC | 1 | |
| 10 | | 67846003 | PLATE-TWIN COVER | 1 | |
| 11 | | 67846005 | CLAMP-TWIN PAIR | 1 | |
| 12 | | 248030001 | BOLT-5/16-18X1 3/4 GR 8 ZINC PL | 2 | |
| 13 | | 72062005 | PLATE-TOP CLAMP | 2 | W/Rod Loader |
| 14 | | 72062007 | CLAMP-PAIR | 2 | W/Rod Loader |
| 15 | | 57949001 | FITTING-12M X 8M JIC 90 DEG. EL | 4 | |
| 16 | | 278255001 | TUBE-HYDRAULIC | 1 | |
| 17 | | 278254001 | TUBE-HYDRAULIC | 1 | |
| 18 | | 289208001 | TUBE - HYDRAULIC R/L | 1 | W/Rod Loader |
| | | 278255001 | TUBE-HYDRAULIC | 1 | W/O Rod Loader |
| 19 | | 289228001 | TUBE - HYDRAULIC R/L | 1 | W/Rod Loader |
| | | 278255001 | TUBE-HYDRAULIC | 1 | W/O Rod Loader |
| 20 | | 23844223 | HOSE-1/2X62 8FS JIC 3000 PSI | 1 | |
| 21 | | 282082010 | HOSE-1/2X61 8FS JIC ST/ST 3500 PSI | 1 | |
| 22 | | 275120001 | VALVE-LO10D LOCK | 2 | Breakdown Fig 2-34 |
| 23 | | 53826001 | #10M O-RING #8M JIC ST. | 8 | |
| 24 | | 23844145 | HOSE-1/2X102 8FS JIC 100R2 | 2 | |
| 25 | | 23844025 | HOSE-1/2X96 8FS JIC 100R2 | 2 | |
| 26 | * | 282128001 | STRAP - HOSE | 2 | Qty Change (W/O Rod Loader) |
| 27 | | 485025 | WASHER-1/2 FLAT-HARDENED-ZINC | 24 | |
| 28 | | 250573001 | BOLT-1/2-13 X 2 1/2 GR8 HX Y/Z | 8 | |
| 29 | | 296257121 | BRACE - LEFT MOTOR | 1 | |
| | | 296257120 | BRACE - RIGHT MOTOR | 1 | Not Shown |
| 30 | | 235721001 | BOLT-1/2-13X1 1/2 GR8 ZINC PLT | 8 | |
| 31 | | 75382001 | NUT-1/2-UNC GRADE 8 SLTL | 8 | |
| 32 | | 235737001 | BOLT-1/2-13X1 1/4 GR8 ZINC PLT | 8 | |

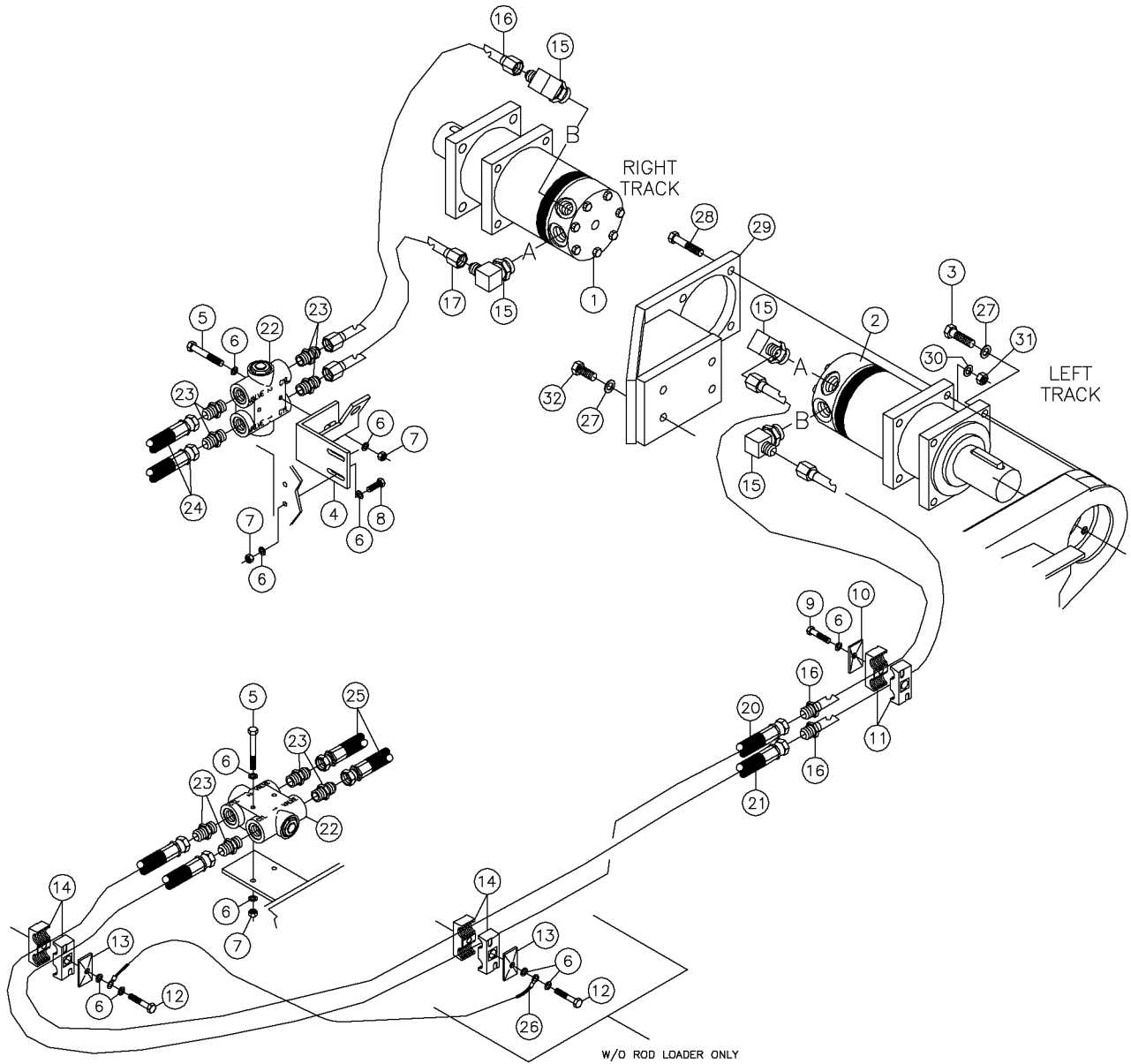
Track Drive Motor (S/N 944-) Fig 2-8r07



Track Drive Motor (S/N 944-) Fig 2-8r07

| REF. NO. | * | PART NO. | DESCRIPTION | QTY. | REMARKS |
|----------|---|---------------|------------------------------------|------|---|
| | | Revision Date | July, 2005 | | Update In Illustration & Parts List. |
| 1 | | 289053001 | MOTOR-56 CU IN HYDRAULIC R | 2 | Use When Equipped With A Rod Loader, Breakdown Fig 2-51 |
| | | 289055001 | MOTOR - 46 CU IN HYDRAULIC R | 2 | Use When Not Equipped With A Rod Loader, Breakdown Fig 2-50 |
| 2 | | 289054001 | MOTOR-56 CU IN HYDRAULIC L | 2 | Use When Equipped With A Rod Loader, Breakdown Fig 2-51 |
| | | 289056001 | MOTOR - 46 CU IN HYDRAULIC L | 2 | Use When Not Equipped With A Rod Loader, Breakdown Fig 2-50 |
| 3 | | 235718001 | BOLT-1/2-13X2 GR8 HEX ZINC PLT | 8 | |
| 4 | | 282064001 | MOUNT-VALVE | 1 | |
| 5 | | 248029001 | BOLT-5/16-18X2 1/2 GR 8 ZINC PL | 4 | |
| 6 | | 235714001 | WASHER-5/16 SAE HARD ZINC PLTD | 20 | |
| 7 | | 240333001 | NUT-5/6-18 GR 8 ZINC PLTD | 7 | |
| 8 | | 238209001 | BOLT-5/16-18X1 GR8 HEX ZINC PLTD | 14 | |
| 9 | | 279376001 | BOLT-5/16-18X1 1/2 GR 8 ZINC YC | 1 | |
| 10 | | 67846003 | PLATE-TWIN COVER | 1 | |
| 11 | | 67846005 | CLAMP-TWIN (PAIR) | 1 | |
| 12 | | 248030001 | BOLT-5/16-18X1 3/4 GR 8 ZINC PL | 2 | |
| 13 | | 72062005 | PLATE-TOP CLAMP | 2 | W/Rod Loader |
| 14 | | 72062007 | CLAMP-PAIR | 2 | W/Rod Loader |
| 15 | | 57949001 | FITTING-12M X 8M JIC 90 DEG. EL | 4 | |
| 16 | | 278255001 | TUBE-HYDRAULIC | 1 | |
| 17 | | 278254001 | TUBE-HYDRAULIC | 1 | |
| 18 | | 289208001 | TUBE - HYDRAULIC R/L | 1 | W/Rod Loader |
| | | 278255001 | TUBE-HYDRAULIC | 1 | W/O Rod Loader |
| 19 | | 289228001 | TUBE - HYDRAULIC R/L | 1 | W/Rod Loader |
| | | 278255001 | TUBE-HYDRAULIC | 1 | W/O Rod Loader |
| 20 | | 23844223 | HOSE-1/2X62 8FS JIC 3000 PSI | 1 | |
| 21 | | 282082010 | HOSE-1/2X61 8FS JIC ST/ST 3500 PSI | 1 | |
| 22 | | 275120001 | VALVE-LO10D LOCK | 2 | Breakdown Fig 2-34 |
| 23 | | 53826001 | #10M O-RING #8M JIC ST. | 8 | |
| 24 | | 23844145 | HOSE-1/2X102 8FS JIC 100R2 | 2 | |
| 25 | | 23844025 | HOSE-1/2X96 8FS JIC (100R2) | 2 | |
| 26 | | 282128001 | STRAP - HOSE | 1 | W/O Rod Loader |
| 27 | | 485025 | WASHER-1/2 FLAT-HARDENED-ZINC | 24 | |
| 28 | | 250573001 | BOLT-1/2-13 X 2 1/2 GR8 HX Y/Z | 8 | |
| 29 | | 296257121 | BRACE - LEFT MOTOR | 1 | |
| | | 296257120 | BRACE - RIGHT MOTOR | 1 | Not Shown |
| 30 | | 235721001 | BOLT-1/2-13X1 1/2 GR8 ZINC PLT | 8 | |
| 31 | | 75382001 | NUT-1/2-UNC GRADE 8 SLTL | 8 | |
| 32 | | 235737001 | BOLT-1/2-13X1 1/4 GR8 ZINC PLT | 8 | |

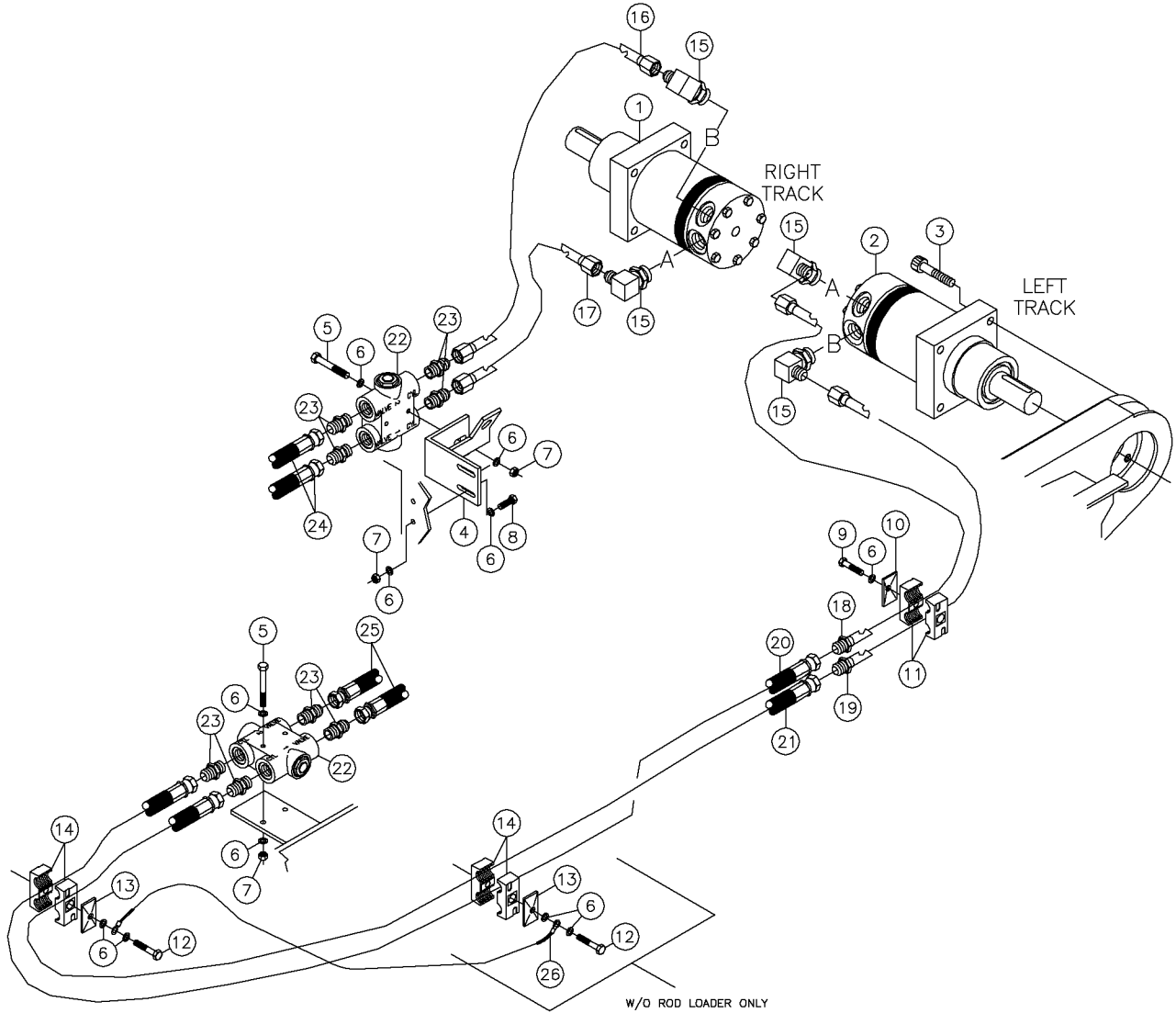
Track Drive Motor (S/N 944-) Fig 2-8r06



Track Drive Motor (S/N 944-) Fig 2-8r06

| REF. NO. | * | PART NO. | DESCRIPTION | QTY. | REMARKS |
|----------|---|---------------|------------------------------------|------|---|
| | | Revision Date | May, 2005 | | Update In Illustration & Parts List. |
| 1 | | 289053001 | MOTOR-56 CU IN HYDRAULIC R | 2 | Use When Equipped With A Rod Loader, Breakdown Fig 2-51 |
| | | 289055001 | MOTOR - 46 CU IN HYDRAULIC R | 2 | Use When Not Equipped With A Rod Loader, Breakdown Fig 2-50 |
| 2 | | 289054001 | MOTOR-56 CU IN HYDRAULIC L | 2 | Use When Equipped With A Rod Loader, Breakdown Fig 2-51 |
| | | 289056001 | MOTOR - 46 CU IN HYDRAULIC L | 2 | Use When Not Equipped With A Rod Loader, Breakdown Fig 2-50 |
| 3 | | 235718001 | BOLT-1/2-13X2 GR8 HEX ZINC PLT | 8 | |
| 4 | | 282064001 | MOUNT-VALVE | 1 | |
| 5 | | 248029001 | BOLT-5/16-18X2 1/2 GR 8 ZINC PL | 4 | |
| 6 | | 235714001 | WASHER-5/16 SAE HARD ZINC PLTD | 20 | |
| 7 | | 240333001 | NUT-5/6-18 GR 8 ZINC PLTD | 7 | |
| 8 | | 238209001 | BOLT-5/16-18X1 GR8 HEX ZINC PLTD | 14 | |
| 9 | | 279376001 | BOLT-5/16-18X1 1/2 GR 8 ZINC YC | 1 | |
| 10 | | 67846003 | PLATE-TWIN COVER | 1 | |
| 11 | | 67846005 | CLAMP-TWIN (PAIR) | 1 | |
| 12 | | 248030001 | BOLT-5/16-18X1 3/4 GR 8 ZINC PL | 2 | |
| 13 | | 72062005 | PLATE-TOP CLAMP | 2 | |
| 14 | | 72062007 | CLAMP-PAIR | 2 | |
| 15 | | 57949001 | FITTING-12M X 8M JIC 90 DEG. EL | 4 | |
| 16 | | 278255001 | TUBE-HYDRAULIC | 1 | |
| 17 | | 278254001 | TUBE-HYDRAULIC | 1 | |
| 18 | | 289208001 | TUBE - HYDRAULIC R/L | 1 | W/Rod Loader |
| | | 278255001 | TUBE-HYDRAULIC | 1 | W/O Rod Loader |
| 19 | | 289228001 | TUBE - HYDRAULIC R/L | 1 | W/Rod Loader |
| | | 278255001 | TUBE-HYDRAULIC | 1 | W/O Rod Loader |
| 20 | | 23844223 | HOSE-1/2X62 8FS JIC 3000 PSI | 1 | |
| 21 | | 282082010 | HOSE-1/2X61 8FS JIC ST/ST 3500 PSI | 1 | |
| 22 | | 275120001 | VALVE-LO10D LOCK | 2 | Breakdown Fig 2-34 |
| 23 | | 53826001 | #10M O-RING #8M JIC ST. | 8 | |
| 24 | | 23844145 | HOSE-1/2X102 8FS JIC 100R2 | 2 | |
| 25 | | 23844025 | HOSE-1/2X96 8FS JIC (100R2) | 2 | |
| 26 | | 287701001 | STRAP - HOSE | 1 | |
| 27 | | 485025 | WASHER-1/2 FLAT-HARDENED-ZINC | 24 | |
| 28 | | 250573001 | BOLT-1/2-13 X 2 1/2 GR8 HX Y/Z | 8 | |
| 29 | | 296257121 | BRACE - LEFT MOTOR | 1 | |
| | | 296257120 | BRACE - RIGHT MOTOR | 1 | Not Shown |
| 30 | | 235721001 | BOLT-1/2-13X1 1/2 GR8 ZINC PLT | 8 | |
| 31 | | 75382001 | NUT-1/2-UNC GRADE 8 SLTL | 8 | |
| 32 | | 235737001 | BOLT-1/2-13X1 1/4 GR8 ZINC PLT | 8 | |

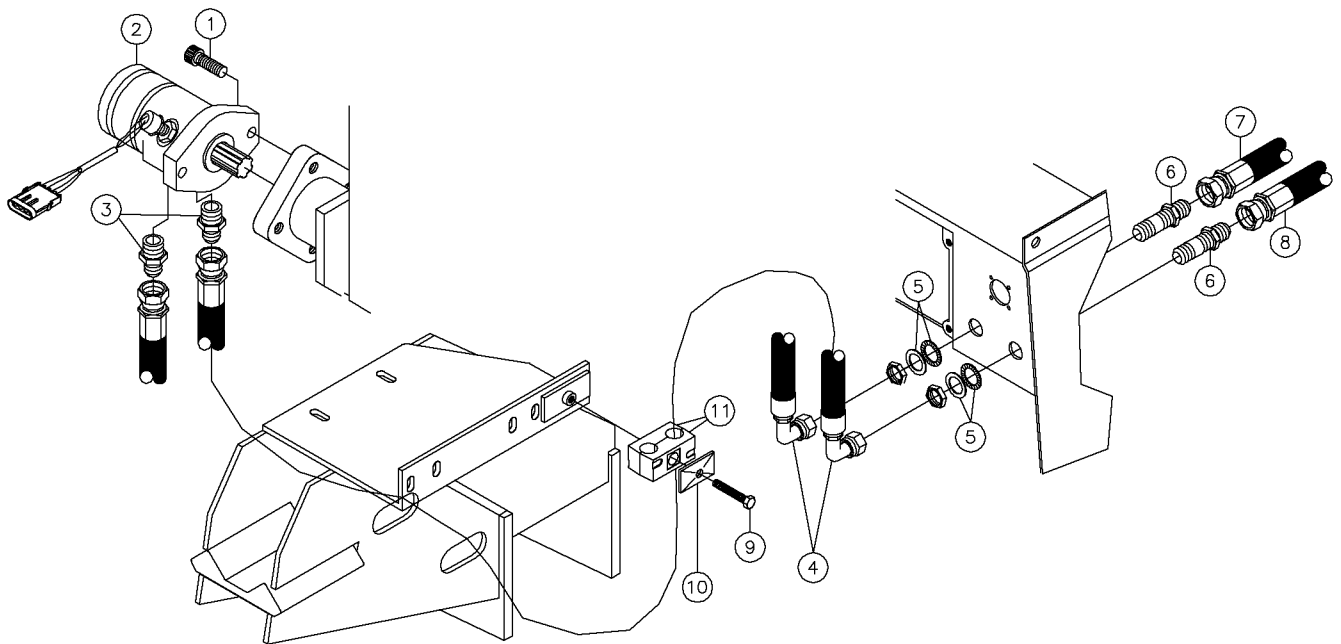
Track Drive Motor (S/N 944-) Fig 2-8r05



Track Drive Motor (S/N 944-) Fig 2-8r05

| REF. NO. | * | PART NO. | DESCRIPTION | QTY. | REMARKS |
|----------|---|---------------|------------------------------------|------|---|
| | | Revision Date | July, 2002 | | Update In Illustration & Parts List. |
| 1 | * | 289053001 | MOTOR-56 CU IN HYDRAULIC R | 2 | Use When Equipped With A Rod Loader, Breakdown Fig 2-51 |
| | * | 289055001 | MOTOR - 46 CU IN HYDRAULIC R | 2 | Use When Not Equipped With A Rod Loader, Breakdown Fig 2-50 |
| 2 | * | 289054001 | MOTOR-56 CU IN HYDRAULIC L | 2 | Use When Equipped With A Rod Loader, Breakdown Fig 2-51 |
| | * | 289056001 | MOTOR - 46 CU IN HYDRAULIC L | 2 | Use When Not Equipped With A Rod Loader, Breakdown Fig 2-50 |
| 3 | * | 235718001 | BOLT-1/2-13X2 GR8 HEX ZINC PLT | 8 | |
| 4 | | 282064001 | MOUNT-VALVE | 1 | |
| 5 | | 248029001 | BOLT-5/16-18X2 1/2 GR 8 ZINC PL | 4 | |
| 6 | | 235714001 | WASHER-5/16 SAE HARD ZINC PLTD | 20 | |
| 7 | | 240333001 | NUT-5/6-18 GR 8 ZINC PLTD | 7 | |
| 8 | | 238209001 | BOLT-5/16-18X1 GR8 HEX ZINC PLTD | 14 | |
| 9 | | 279376001 | BOLT-5/16-18X1 1/2 GR 8 ZINC YC | 1 | |
| 10 | | 67846003 | PLATE-TWIN COVER | 1 | |
| 11 | | 67846005 | CLAMP-TWIN (PAIR) | 1 | |
| 12 | | 248030001 | BOLT-5/16-18X1 3/4 GR 8 ZINC PL | 2 | |
| 13 | | 72062005 | PLATE-TOP CLAMP | 2 | |
| 14 | | 72062007 | CLAMP-PAIR | 2 | |
| 15 | | 57949001 | FITTING-12M X 8M JIC 90 DEG. EL | 4 | |
| 16 | | 278255001 | TUBE-HYDRAULIC | 1 | |
| 17 | | 278254001 | TUBE-HYDRAULIC | 1 | |
| 18 | * | 289208001 | TUBE - HYDRAULIC R/L | 1 | W/Rod Loader |
| | * | 289209001 | TUBE - HYDRAULIC NON R/L | 1 | W/O Rod Loader |
| 19 | * | 289228001 | TUBE - HYDRAULIC R/L | 1 | W/Rod Loader |
| | * | 289229001 | TUBE - HYDRAULIC NON R/L | 1 | W/O Rod Loader |
| 20 | | 23844223 | HOSE-1/2X62 8FS JIC 3000 PSI | 1 | |
| 21 | | 282082010 | HOSE-1/2X61 8FS JIC ST/ST 3500 PSI | 1 | |
| 22 | | 275120001 | VALVE-LO10D LOCK | 2 | Breakdown Fig 2-34 |
| 23 | | 53826001 | #10M O-RING #8M JIC ST. | 8 | |
| 24 | | 23844145 | HOSE-1/2X102 8FS JIC 100R2 | 2 | |
| 25 | | 23844025 | HOSE-1/2X96 8FS JIC (100R2) | 2 | |
| 26 | * | 287701001 | STRAP - HOSE | 1 | |
| 27 | * | 485025 | WASHER-1/2 FLAT-HARDENED-ZINC | 24 | |
| 28 | * | 250573001 | BOLT-1/2-13 X 2 1/2 GR8 HX Y/Z | 8 | |
| 29 | * | 296257121 | BRACE - LEFT MOTOR | 1 | |
| | * | 296257120 | BRACE - RIGHT MOTOR | 1 | Not Shown |
| 30 | * | 235721001 | BOLT-1/2-13X1 1/2 GR8 ZINC PLT | 8 | |
| 31 | * | 75382001 | NUT-1/2-UNC GRADE 8 SLTL | 8 | |

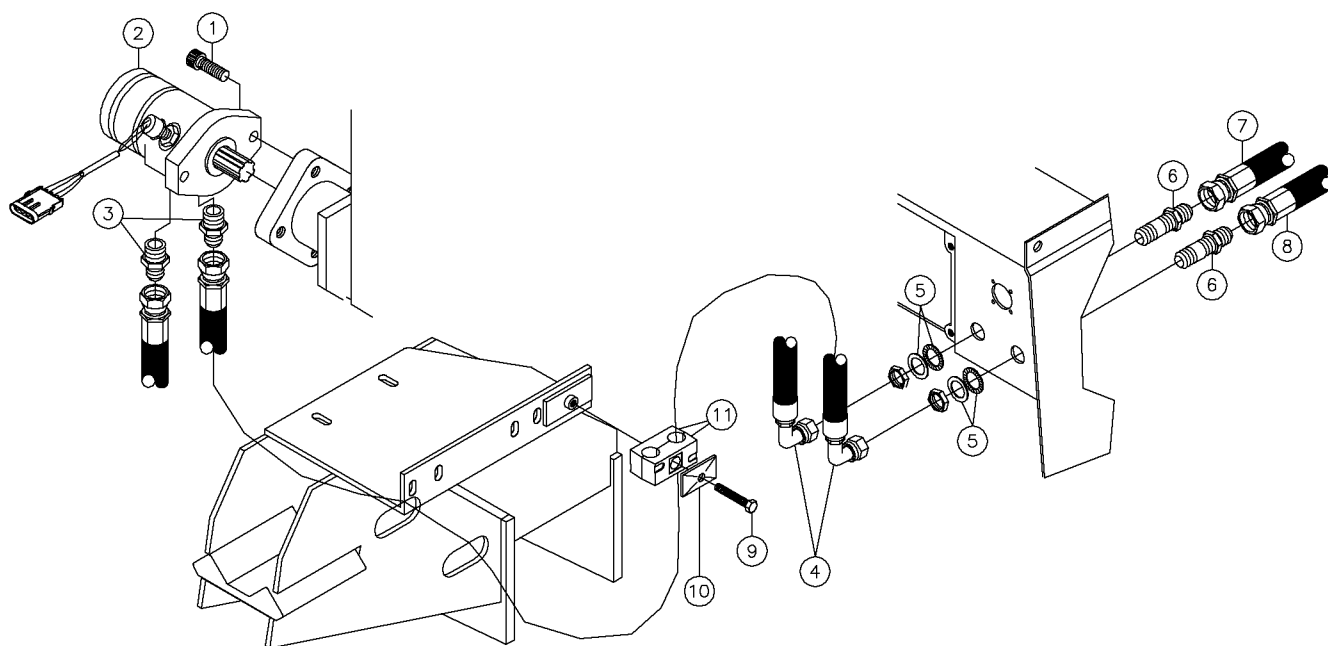
Water Pump Motor Fig 2-9r05



Water Pump Motor Fig 2-9r05

| REF. NO. | * | PART NO. | DESCRIPTION | QTY. | REMARKS |
|----------|---|---------------|---|------|-----------------------|
| | | Revision Date | May, 2005 | | Update In Parts List. |
| 1 | | 514014 | 1/2-13X1 1/2" SOCKET HEAD BOLT | 2 | |
| 2 | | 251578001 | MOTOR - HYDRAULIC 2.2 CY IN | 1 | Breakdown Fig 2-27 |
| | | 287507001 | MOTOR W/PICKUP | 1 | S/N 780- |
| 3 | | 53826001 | #10M O-RING-#8M JIC ST. | 2 | |
| 4 | | 53844375 | HOSE - 1/2 X 76 8FSJIC/8FS JIC90 | 2 | |
| 5 | | 235671001 | WASHER-3/4" 2 PIECE LOCK | 2 | |
| 6 | | 60927001 | 8 JIC BULKHEAD ST.UNION | 2 | |
| 7 | | 53844005 | HOSE-1/2X12 8FS JIC 100R2 | 2 | S/N 498- |
| 8 | | 296277288 | HOSE-HYD-.50X70-8FSJ-ST/ST 3000 PSI M3K | 1 | |
| 9 | | 248030001 | BOLT-5/16-18X1 3/4 GR 8 ZIN PL | 1 | |
| 10 | | 72062005 | PLATE-TOP CLAMP | 1 | |
| 11 | | 72062007 | CLAMP-PAIR | 1 | |

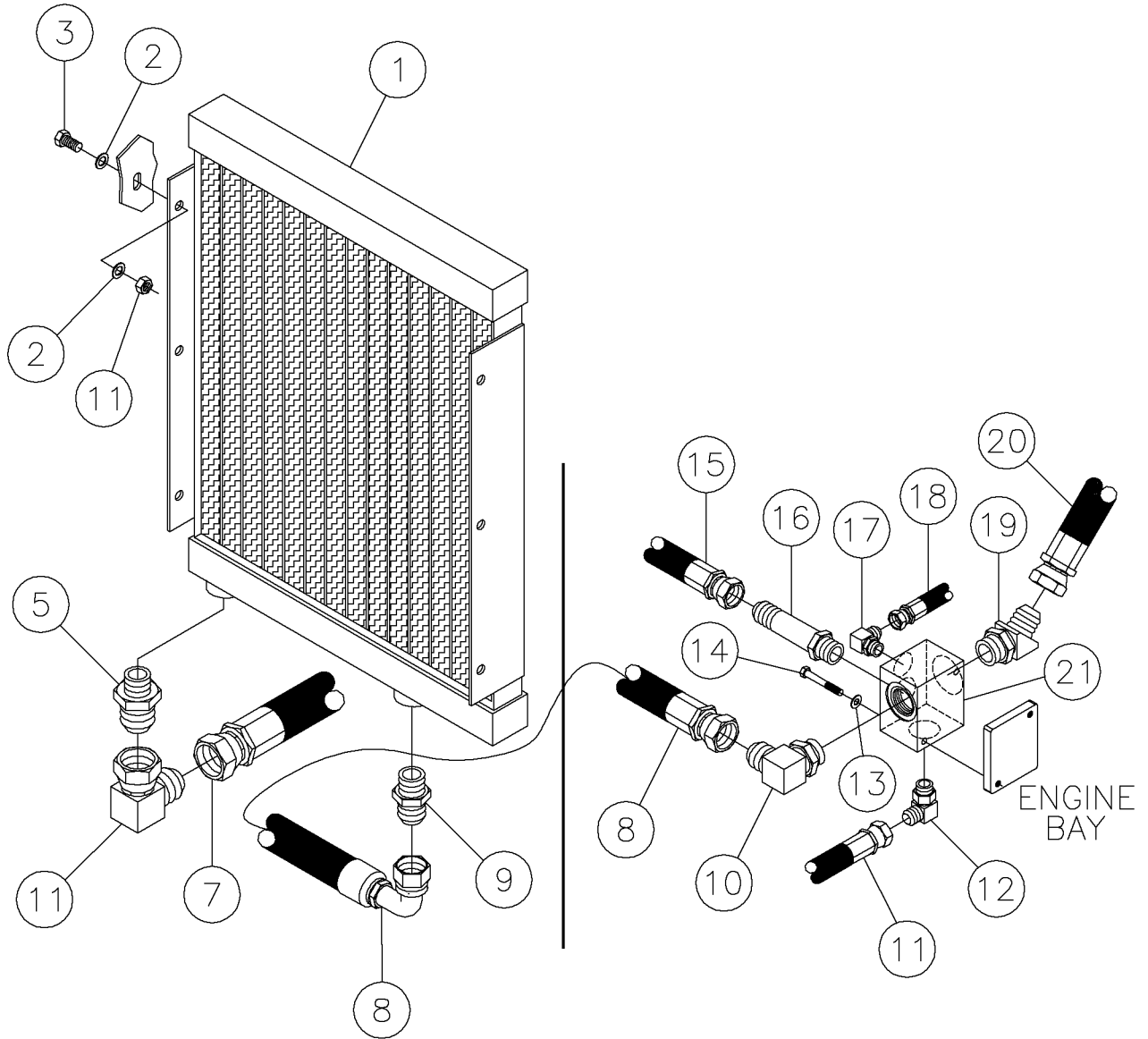
Water Pump Motor Fig 2-9r04



Water Pump Motor Fig 2-9r04

| REF. NO. | * | PART NO. | DESCRIPTION | QTY. | REMARKS |
|----------|---|---------------|----------------------------------|------|--------------------|
| | | Revision Date | October, 2000 | | |
| 1 | | 514014 | 1/2-13X1 1/2" SOCKET HEAD BOLT | 2 | |
| 2 | | 251578001 | MOTOR - HYDRAULIC 2.2 CY IN | 1 | Breakdown Fig 2-27 |
| | * | 287507001 | MOTOR W/PICKUP | 1 | S/N 780- |
| 3 | | 53826001 | #10M O-RING-#8M JIC ST. | 2 | |
| 4 | | 53844375 | HOSE - 1/2 X 76 8FSJIC/8FS JIC90 | 2 | |
| 5 | | 235671001 | WASHER-3/4" 2 PIECE LOCK | 2 | |
| 6 | | 60927001 | 8 JIC BULKHEAD ST.UNION | 2 | |
| 7 | | 53844423 | HOSE-1/2X9 8FSJIC-8FSJIC 90 | 1 | S/N 101-497 |
| | | 53844005 | HOSE-1/2X12 8FS JIC 100R2 | 2 | S/N 498- |
| 8 | | 53844223 | HOSE-1/2X62 8FS JIC 3000 PSI | 1 | |
| 9 | | 248030001 | BOLT-5/16-18X1 3/4 GR 8 ZIN PL | 1 | |
| 10 | | 72062005 | PLATE-TOP CLAMP | 1 | |
| 11 | | 72062007 | CLAMP-PAIR | 1 | |

Oil Cooler Fig 2-10r03

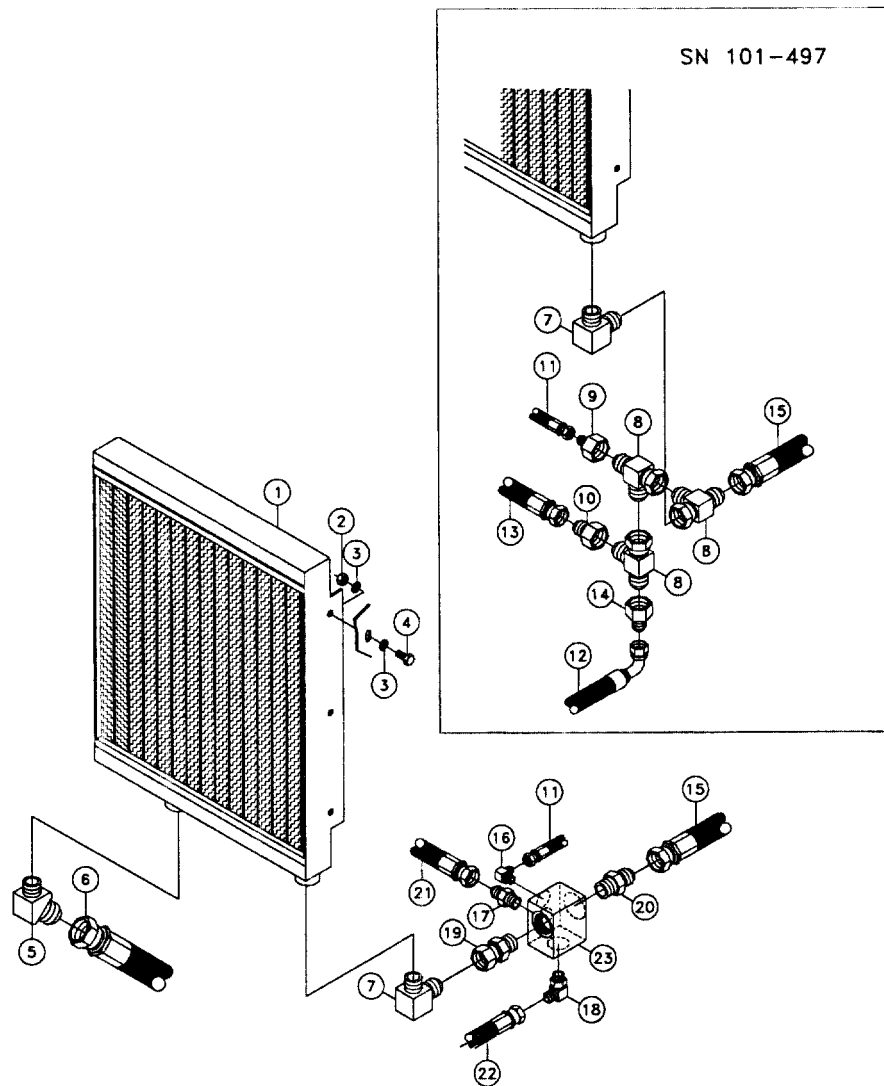


Oil Cooler Fig 2-10r03

| REF. NO. | * | PART NO. | DESCRIPTION | QTY. | REMARKS |
|----------|---|---------------|---|------|--------------------------------------|
| | | Revision Date | September, 2004 | | Update In Illustration & Parts List. |
| 1 | | 251579001 | COOLER - OIL | 1 | |
| 2 | | 235713001 | WASHER - FLATSTRL - .38 - .41 X .81 - .06-YA-A325 | 12 | |
| 3 | | 235726001 | BOLT-3/8-16X3/4 GR8 HEX ZNCPLT | 6 | |
| 4 | | 235725001 | NUT - HEX - .38 - 16 - GR8 - YZ | 6 | |
| 5 | | 81692001 | FITTING-3/4M NPTX16M JIC ST. | 1 | |
| 6 | | 60905001 | 16M JICX16FS JIC 90 DEG ELBOW | 1 | |
| 7 | | 275756001 | HOSE-1X68 16FSJIC ST/90 M3K | 1 | |
| 8 | | 296277260 | HOSE-3/4X26 12FSJIC ST/90 M3K | 1 | |
| 9 | | 53836001 | 3/4M PIPE-#12M JIC ST. | 1 | |
| 10 | | 59410001 | FITTING-90-12MJ-12MORBA | 1 | |
| 11 | | 53844005 | HOSE-1/2X12 8FS JIC (100R2) | 1 | |
| 12 | | 53837001 | FITTING - 8M O-RING X 8M JIC 90 DEGREE | 1 | |
| 13 | | 235716001 | WASHER - FLATSTRL - .25 -.28 X .63 - .06 - CZ | 2 | |
| 14 | | 278272001 | REPLACED BY 250644001 | 2 | |
| 15 | | 282793001 | HOSE - 5/8 X 77 10 FSJIC ST/90 M3K | 1 | |
| 16 | | 124656001 | FITTING-10M ORING X 10 JIC STR | 1 | |
| 17 | | 59426001 | FITTING - 90-6MJ-6MORBA | 1 | |
| 18 | | 251604001 | HOSE-3/8X190 6FSJIC ST/90 3000 | 1 | |
| 19 | | 60718001 | FITTING-45-12MJ-12MORBA | 1 | |
| 20 | | 53845043 | HOSE-3/4X40 12FS JIC (100R2) | 1 | |
| 21 | | 282782001 | MANIFOLD - OIL COOLER | 1 | |

Oil Cooler Fig 2-10r02

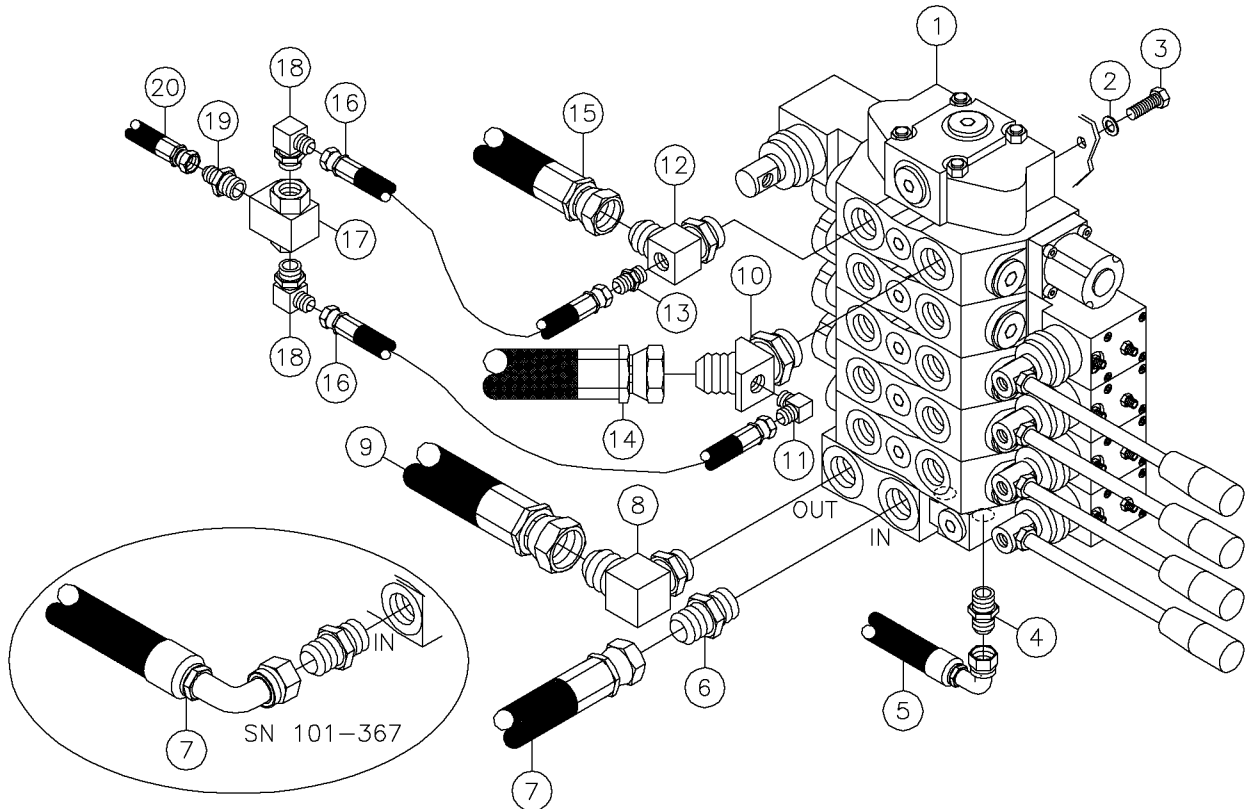
Revised January 2000 due to update in illustration & parts list. Added parts marked with *.



Oil Cooler Fig 2-10r02

| REF. NO. | * | PART NO. | DESCRIPTION | QTY. | REMARKS |
|----------|---|---------------|--|------|-------------|
| | | Revision Date | January, 2000 | | |
| 1 | | 251579001 | COOLER - OIL | 1 | |
| 2 | | 235725001 | NUT-3/8-16 GR8 ZINC PLTD | 6 | |
| 3 | | 235713001 | WASHER-3/8 SAE HARD ZINC PLTD | 12 | |
| 4 | | 235726001 | BOLT-3/8-16X3/4 GR8 HEX ZNC PLT | 6 | |
| 5 | | 92067001 | FITTING-3/4M X 16M JIC 45 DEG. | 1 | |
| 6 | | 53846319 | HOSE-1X60 16FS JIC / 16FS JIC 90 | 1 | |
| 7 | | 56215001 | FITTING-3/4M PIP-#12M JIC 90 | 1 | |
| 8 | | 59417001 | 12 JIC SW RUN TEE | 3 | S/N 101-497 |
| 9 | | 60909001 | 6M JIC X 12F JIC ST. ADAPTER | 1 | S/N 101-497 |
| 10 | | 81690001 | FITTING-12F JIC X 10M JIC ST. | 1 | S/N 101-497 |
| 11 | | 251604001 | HOSE-3/8 X 190 6FS JIC ST/90 3000 | 1 | |
| 12 | | 53844423 | HOSE-1/2X9 8FS JIC - 8FS JIC 90 | 1 | S/N 101-497 |
| 13 | | 53842523 | HOSE-5/8X74 10FS JIC ST/ 90 | 1 | S/N 101-497 |
| 14 | | 59421001 | 12F JIC X 8M JIC ST REDUCER | 1 | |
| 15 | | 53845437 | HOSE-3/4X42 12 FS JIC ST/ 12 FS JC 90 | 1 | |
| 16 | * | 59426001 | FITTING-6M JIC X 6M O-RING ADJ 90 ELBOW | 1 | S/N 498- |
| 17 | * | 59408001 | 10M JIC X 10M ST THRD ADAPTER | 1 | S/N 498- |
| 18 | * | 53837001 | FITTING-8M O-RING X 8M JIC 90 DEG | 1 | S/N 498- |
| 19 | * | 59416001 | 12M JIC X 12M ST THRD ADAPTER | 1 | S/N 498- |
| 20 | * | 85664001 | FITTING-12M 12FS JIC | 1 | S/N 498- |
| 21 | * | 282793010 | HOSE-5/8 X 77 10FS JIC X 10FS JIC 90 M3K | 1 | S/N 498- |
| 22 | * | 53844005 | HOSE-1/2X12 8FS JIC 100R2 | 1 | S/N 498- |
| 23 | * | 282782001 | MANIFOLD-OIL COOLER | 1 | S/N 498- |

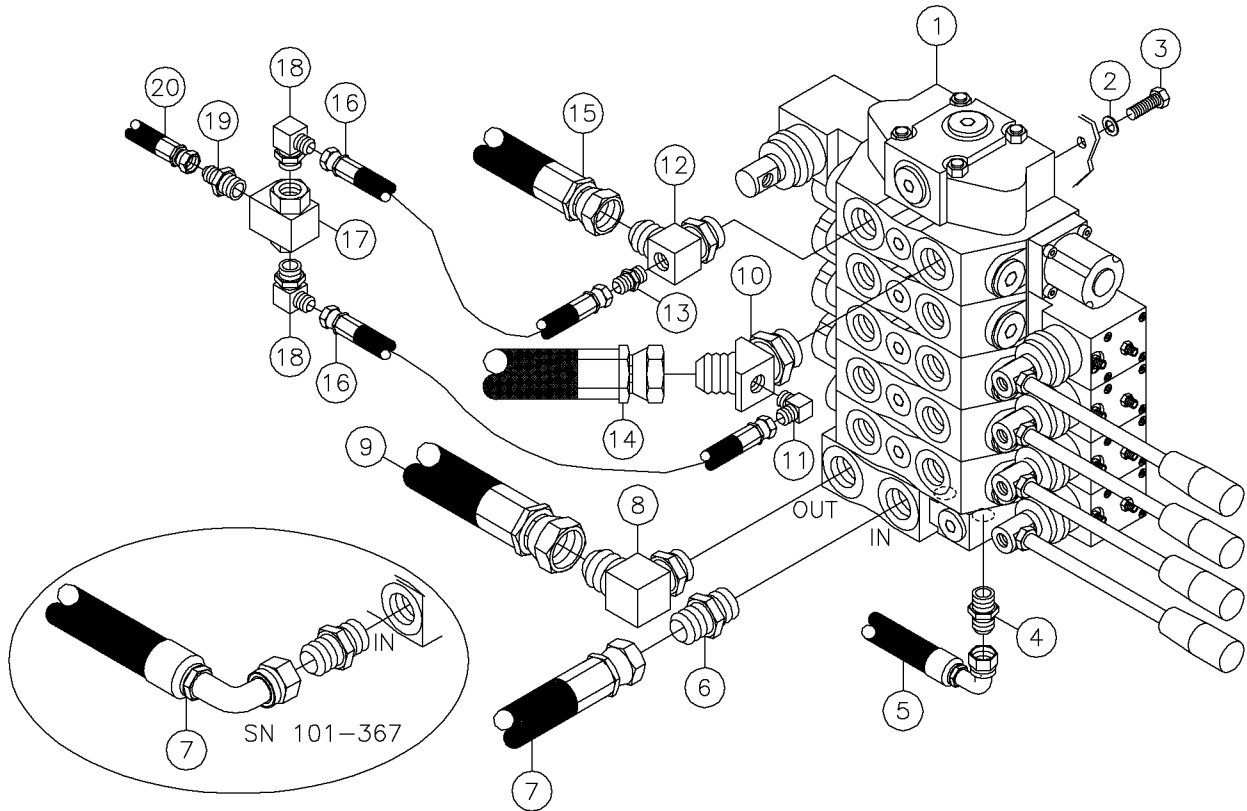
Thrust/Stakedown Valve (S/N 1472) Fig 2-11r06



Thrust/Stakedown Valve (S/N 1472) Fig 2-11r06

| REF. NO. | * | PART NO. | DESCRIPTION | QTY. | REMARKS |
|----------|---|---------------|---------------------------------------|------|-----------------------|
| | | Revision Date | June, 2006 | | Update In Parts List. |
| 1 | | 251559001 | VALVE - THRUST / STAKEDOWN | 1 | Breakdown Fig 2-39 |
| 2 | | 235714001 | WASHER-5/16 SAE HARD ZINC PLTD | 4 | |
| 3 | | 233472001 | BOLT-M8-1.25 X 16 HHCS GR 10.9 YZ | 4 | |
| 4 | | 65565001 | FITTING-6M X 6M JIC ST. | 1 | |
| 5 | | 57940631 | HOSE-3/8X24 6FS JIC-6FS JIC 90 | 1 | |
| 6 | | 53827001 | FITT. #10 O-RING-# 10M JIC ST. | 1 | |
| 7 | | 282519001 | HOSE-5/8X19 10FS JIC ST/45 M3K | 1 | S/N 368- |
| 8 | | 53871001 | #10M O-RING X 12M JIC 90 | 1 | |
| 9 | | 53845673 | HOSE-3/4 X 19 12FS JIC - 12 FS JIC 90 | 1 | |
| 10 | | 251617001 | FITTING-10M OR 12M JIC 45 DEG MOD | 1 | |
| 11 | | 56647001 | FITTING-1/4M X 4M JIC 90 DEG. | 1 | |
| 12 | | 251618001 | FITTING-10M OR 10M JIC 90 DEG MOD | 1 | |
| 13 | | 67849001 | 1/4 M X 4M JIC ST. | 1 | |
| 14 | | 53845305 | HOSE-3/4 X 112 12FS JIC 3000 PSI | 1 | |
| 15 | | 53842351 | HOSE-5/8X64 10FS JIC 3000 PSI | 1 | |
| 16 | | 53843497 | HOSE-1/4 X 13 4FS JIC 5000 PSI | 2 | |
| 17 | | 240391001 | VALVE-SHUTTLE | 1 | |
| 18 | | 57950001 | FITTING-6M X 4 JIC 90 DEG. | 2 | |
| 19 | | 57968001 | 6M O-RING 4M JIC STRAIGHT | 1 | |
| 20 | | 53843183 | HOSE-1/4X18 4FS JIC 3000 PSI | 1 | S/N 1472 & Up |

Thrust/Stakedown Valve Fig 2-11r05

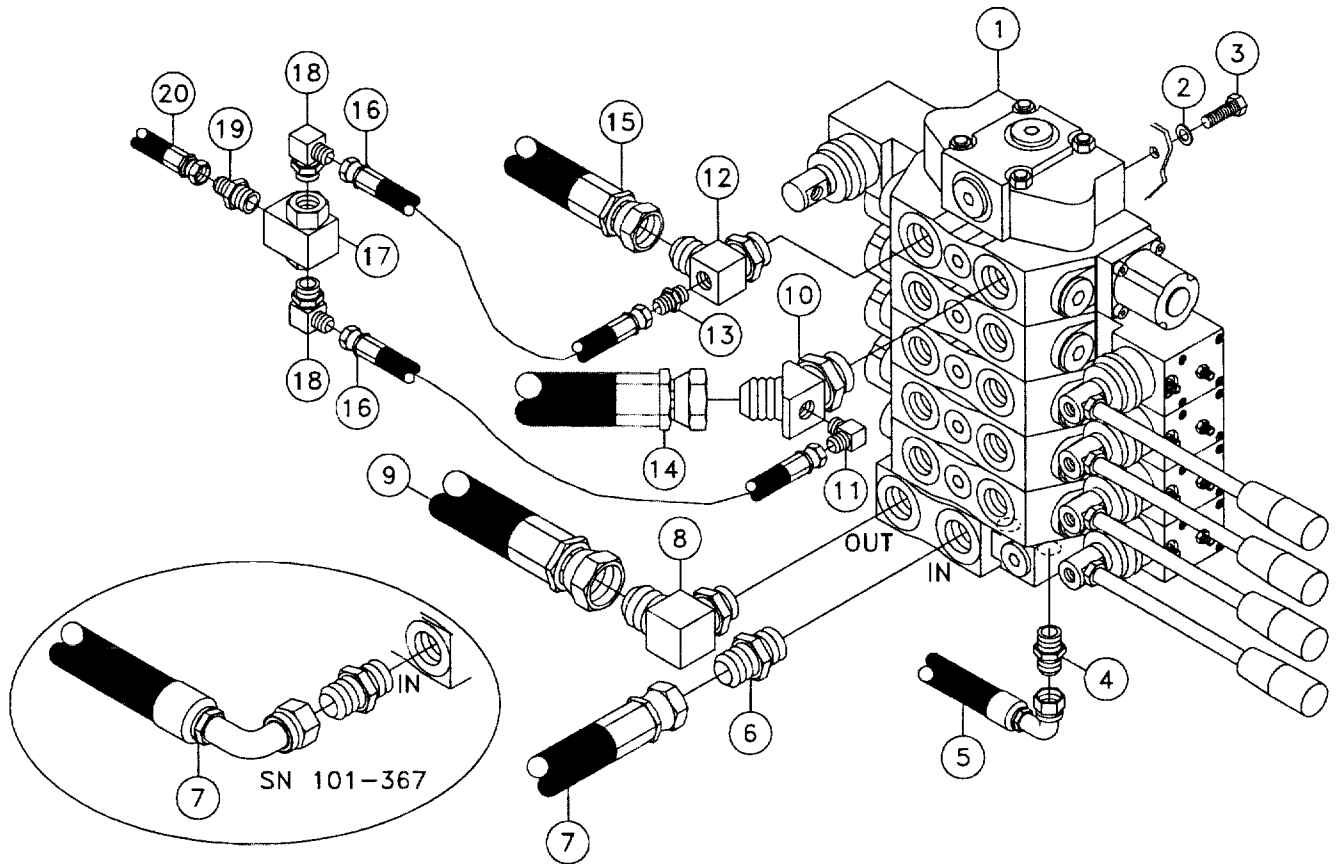


Thrust/Stakedown Valve Fig 2-11r05

| REF. NO. | * | PART NO. | DESCRIPTION | QTY. | REMARKS |
|----------|---|---------------|---------------------------------------|------|-----------------------|
| | | Revision Date | May, 2005 | | Update In Parts List. |
| 1 | | 251559001 | VALVE - THRUST / STAKEDOWN | 1 | Breakdown Fig 2-39 |
| 2 | | 235714001 | WASHER-5/16 SAE HARD ZINC PLTD | 4 | |
| 3 | | 233472001 | BOLT-M8-1.25 X 16 HHCS GR 10.9 YZ | 4 | |
| 4 | | 65565001 | FITTING-6M X 6M JIC ST. | 1 | |
| 5 | | 57940631 | HOSE-3/8X24 6FS JIC-6FS JIC 90 | 1 | |
| 6 | | 53827001 | FITT. #10 O-RING-# 10M JIC ST. | 1 | |
| 7 | | 282519001 | HOSE-5/8X19 10FS JIC ST/45 M3K | 1 | S/N 368- |
| 8 | | 53871001 | #10M O-RING X 12M JIC 90 | 1 | |
| 9 | | 53845673 | HOSE-3/4 X 19 12FS JIC - 12 FS JIC 90 | 1 | |
| 10 | | 251617001 | FITTING-10M OR 12M JIC 45 DEG MOD | 1 | |
| 11 | | 56647001 | FITTING-1/4M X 4M JIC 90 DEG. | 1 | |
| 12 | | 251618001 | FITTING-10M OR 10M JIC 90 DEG MOD | 1 | |
| 13 | | 67849001 | 1/4 M X 4M JIC ST. | 1 | |
| 14 | | 53845305 | HOSE-3/4 X 112 12FS JIC 3000 PSI | 1 | |
| 15 | | 53842351 | HOSE-5/8X64 10FS JIC 3000 PSI | 1 | |
| 16 | | 53843497 | HOSE-1/4 X 13 4FS JIC 5000 PSI | 2 | |
| 17 | | 240391001 | VALVE-SHUTTLE | 1 | |
| 18 | | 57950001 | FITTING-6M X 4 JIC 90 DEG. | 2 | |
| 19 | | 57968001 | 6M O-RING 4M JIC STRAIGHT | 1 | |
| 20 | | 53843205 | HOSE-1/4X120 4FS JIC 3000 PSI | 1 | |

Thrust/Stakedown Valve Fig 2-11r04

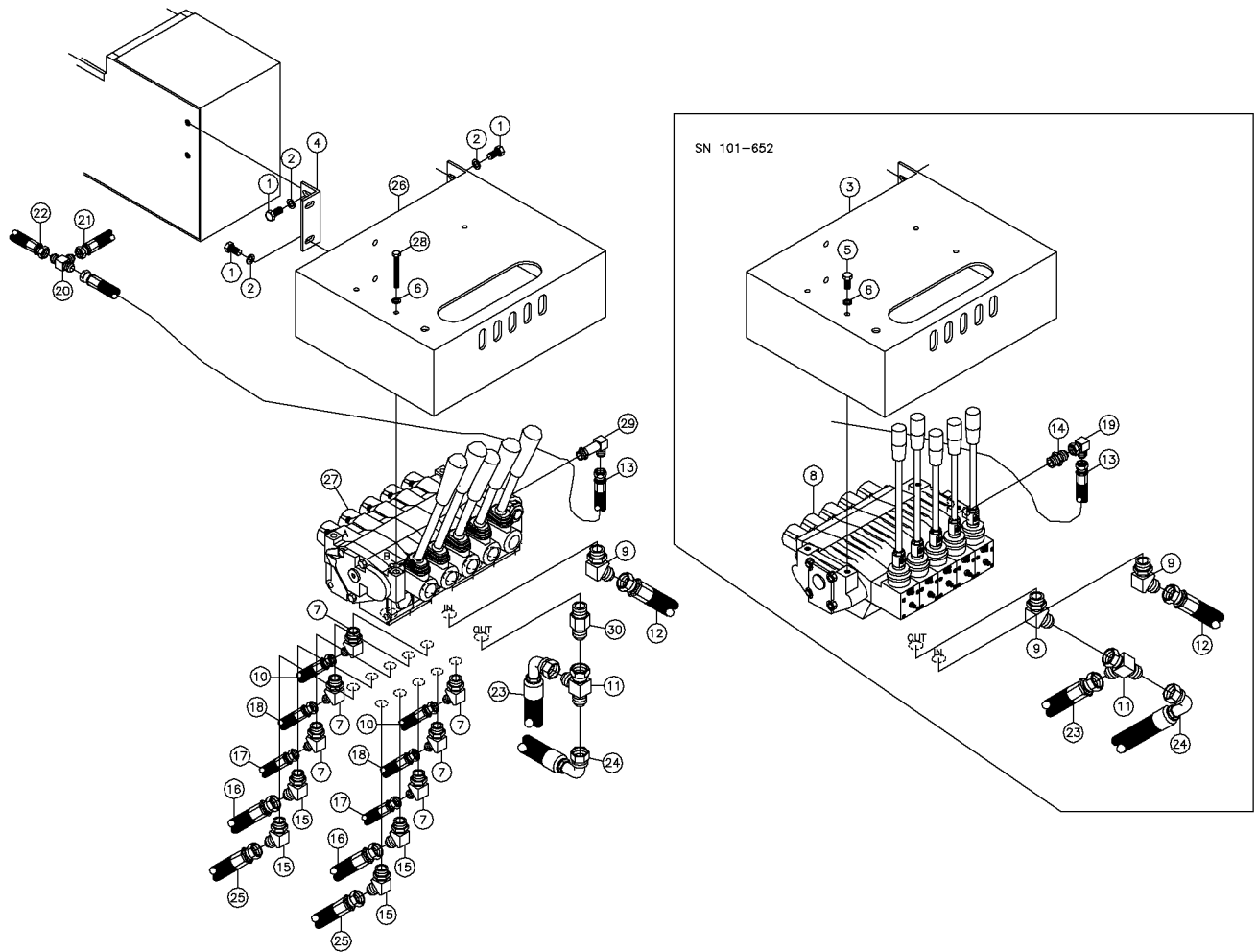
Revised January 2000 due to update in illustration & parts list. Added part marked with *.



Thrust/Stakedown Valve Fig 2-11r04

| REF. NO. | * | PART NO. | DESCRIPTION | QTY. | REMARKS |
|----------|---|---------------|---------------------------------------|------|--------------------|
| | | Revision Date | January, 2000 | | |
| 1 | | 251559001 | VALVE - THRUST / STAKEDOWN | 1 | Breakdown Fig 2-39 |
| 2 | | 235714001 | WASHER-5/16 SAE HARD ZINC PLTD | 4 | |
| 3 | | 233472001 | BOLT-M8-1.25 X 16 HHCS GR 10.9 YZ | 4 | |
| 4 | | 65565001 | FITTING-6M X 6M JIC ST. | 1 | |
| 5 | | 57940631 | HOSE-3/8X24 6FS JIC-6FS JIC 90 | 1 | |
| 6 | | 53827001 | FITT. #10 O-RING-# 10M JIC ST. | 1 | |
| 7 | | 53842525 | HOSE-5/8X24 10FS JIC ST /90 3000# | 1 | S/N 101-367 |
| 7 | | 282519001 | HOSE-5/8X19 10FS JIC ST/45 M3K | 1 | S/N 368- |
| 8 | | 53871001 | #10M O-RING X 12M JIC 90 | 1 | |
| 9 | | 53845673 | HOSE-3/4 X 19 12FS JIC - 12 FS JIC 90 | 1 | |
| 10 | | 251617001 | FITTING-10M OR 12M JIC 45 DEG MOD | 1 | |
| 11 | | 56647001 | FITTING-1/4M X 4M JIC 90 DEG. | 1 | |
| 12 | | 251618001 | FITTING-10M OR 10M JIC 90 DEG MOD | 1 | |
| 13 | | 67849001 | 1/4 M X 4M JIC ST. | 1 | |
| 14 | | 53845305 | HOSE-3/4 X 112 12FS JIC 3000 PSI | 1 | |
| 15 | | 53842351 | HOSE-5/8 X 64 10FS JIC 3000 PSI | 1 | Early Models |
| 15 | | 282785001 | *HOSE-5/8X64 10 FS JIC ST/90 M3K | 1 | |
| 16 | | 53843497 | HOSE-1/4 X 13 4FS JIC 5000 PSI | 2 | |
| 17 | | 240391001 | VALVE-SHUTTLE | 1 | |
| 18 | | 57950001 | FITTING-6M X 4 JIC 90 DEG. | 2 | |
| 19 | | 57968001 | 6M O-RING 4M JIC STRAIGHT | 1 | |
| 20 | | 53843205 | HOSE-1/4X120 4FS JIC 3000 PSI | 1 | |

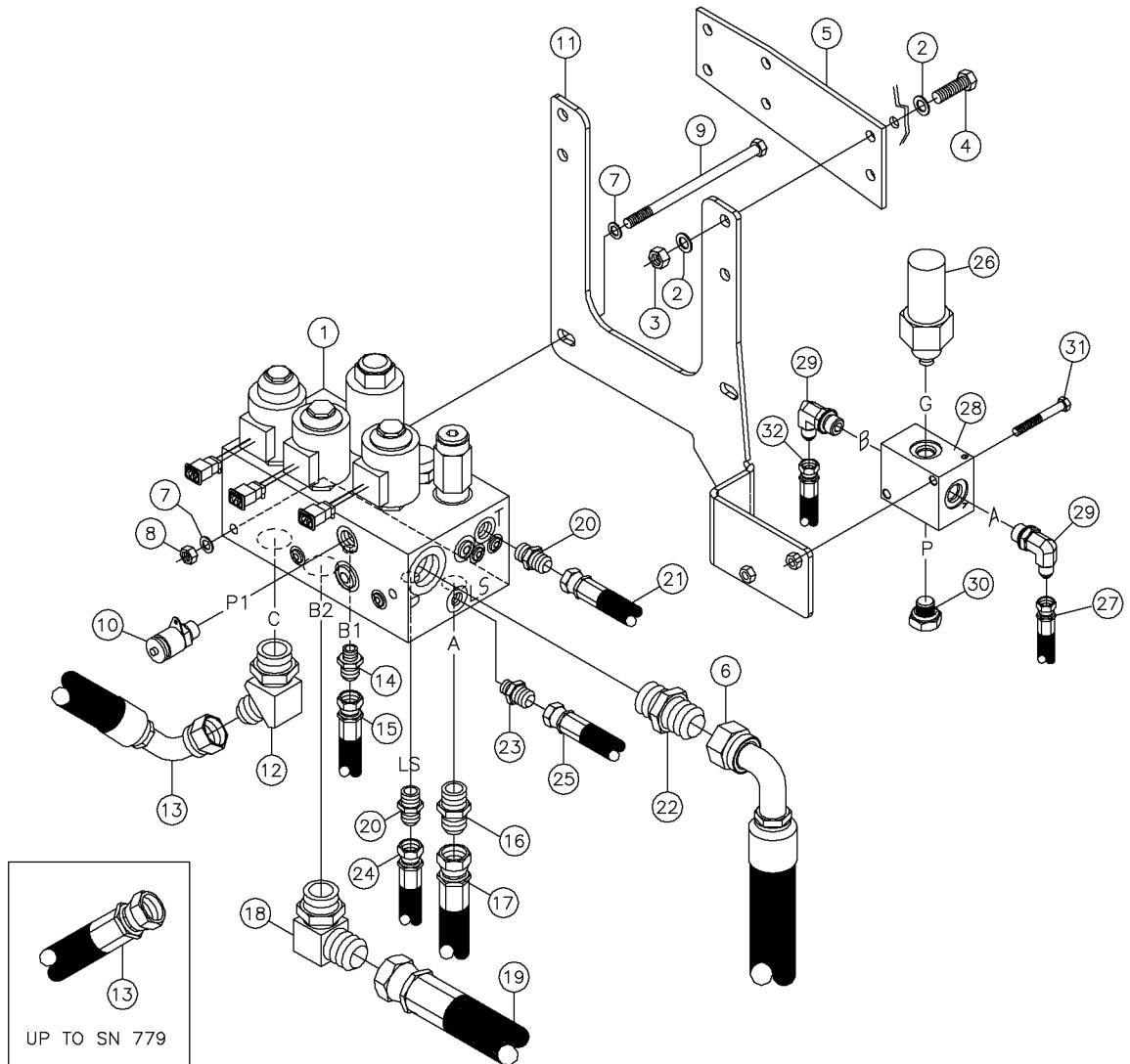
Control Valve - Ground Drive Fig 2-12r07



Control Valve - Ground Drive Fig 2-12r07

| REF. NO. | * | PART NO. | DESCRIPTION | QTY. | REMARKS |
|----------|---|---------------|--|------|--------------------------------------|
| | | Revision Date | July, 2002 | | Update In Illustration & Parts List. |
| 1 | | 235726001 | BOLT-3/8-16 X 3/4 GR8 HEX ZNCPLT | 6 | |
| 2 | | 235713001 | WASHER-3/8 SAE HARD ZINC PLTD | 6 | |
| 3 | | 251585001 | MOUNT-VALVE | 1 | S/N 101-652 |
| 4 | | 234734001 | MOUNT-VALVE MOUNT | 1 | |
| 5 | | 233472001 | BOLT-M8-1.25 X 16 HHCS GR10.9 YZ | 4 | S/N 101-652 |
| 6 | | 235714001 | WASHER-5/16 SAE HARD ZINC PLTD | 4 | |
| 7 | | 59425001 | FITTING-6M JIC X 8M ADJ.45 ELBOW | 6 | |
| 8 | | 279334001 | 5ALVE-TRANSPORT | 1 | S/N 652-, Breakdown Fig 2-38 |
| 9 | * | 56725001 | FITTING-10M X 10M JIC 45 DEG. | 1 | |
| 10 | | 57940545 | HOSE-3/8 X 104 6FS 3000 PSI | 2 | |
| 11 | | 100873001 | FITTING-10M X 10MJIC RUN TEE | 1 | |
| 12 | * | 289156001 | HOSE-5/8 X 101 10 FSJIC X 10 FSJIC 90 | 1 | S/N 780- |
| 13 | | 57940613 | HOSE-3/8 X 92 6FS JIC 3000 PSI | 1 | |
| 14 | | 251575001 | VALVE-CHECK 6M0RB 6MJIC INLINE | 1 | S/N 101-652 |
| 15 | | 53834001 | #8M O-RING-#8M JIC 45 DEG. | 4 | |
| 16 | | 53844145 | HOSE 1/2 X 102 8FS JIC (100R2) | 2 | |
| 17 | | 57940151 | HOSE-3/8 X 88 6FS JIC (100R2) | 2 | |
| 18 | | 57940281 | HOSE-3/8 X 40 6FS JIC 3000 PSI | 2 | |
| 19 | | 60851001 | FITTING-6M JIC X 6FS 90ELBOW | 1 | S/N 101-652 |
| 20 | | 57953001 | #6 JIC TEE | 1 | |
| 21 | | 57940407 | HOSE-3/8 X 32 6FS JIC 4000 PSI | 1 | |
| 22 | | 68209027 | HOSE-3/8 X 64 6FS JIC (M2T) | 1 | |
| 23 | | 289063001 | HOSE - HYD .63 X 20 10FSJ-10FSJ90-3000 | 1 | S/N 883- |
| 24 | | 53842523 | HOSE-5/8 X 74 10FS JIC/90 | 1 | S/N 101-497 |
| | | 282793001 | HOSE-5/8 X 77 10FS JIC X 90 M3K | 1 | S/N 498- |
| 25 | | 53844025 | HOSE-1/2 X 96 8FS JIC (100R2) | 2 | S/N 332, 357- |
| | | 53844145 | HOSE-1/2 X 102 8FS JIC (100R2) | 2 | S/N 101-331, 333-356 |
| 26 | | 287524001 | MOUNT VALVE | 1 | S/N 653- |
| 27 | | 287530001 | VALVE-TRANSPORT | 1 | S/N 653-, Breakdown Fig 2-47 |
| 28 | | 238212001 | BOLT-5/16-18 X 3 HEX GD 8 | 3 | S/N 653- |
| 29 | | 65570001 | 6M X 6M JIC 90 DEG LONG | 1 | S/N 653- |
| 30 | | 125645001 | FITTING-10M9'R X 10MJIC 2.41LG | 1 | S/N 653- |

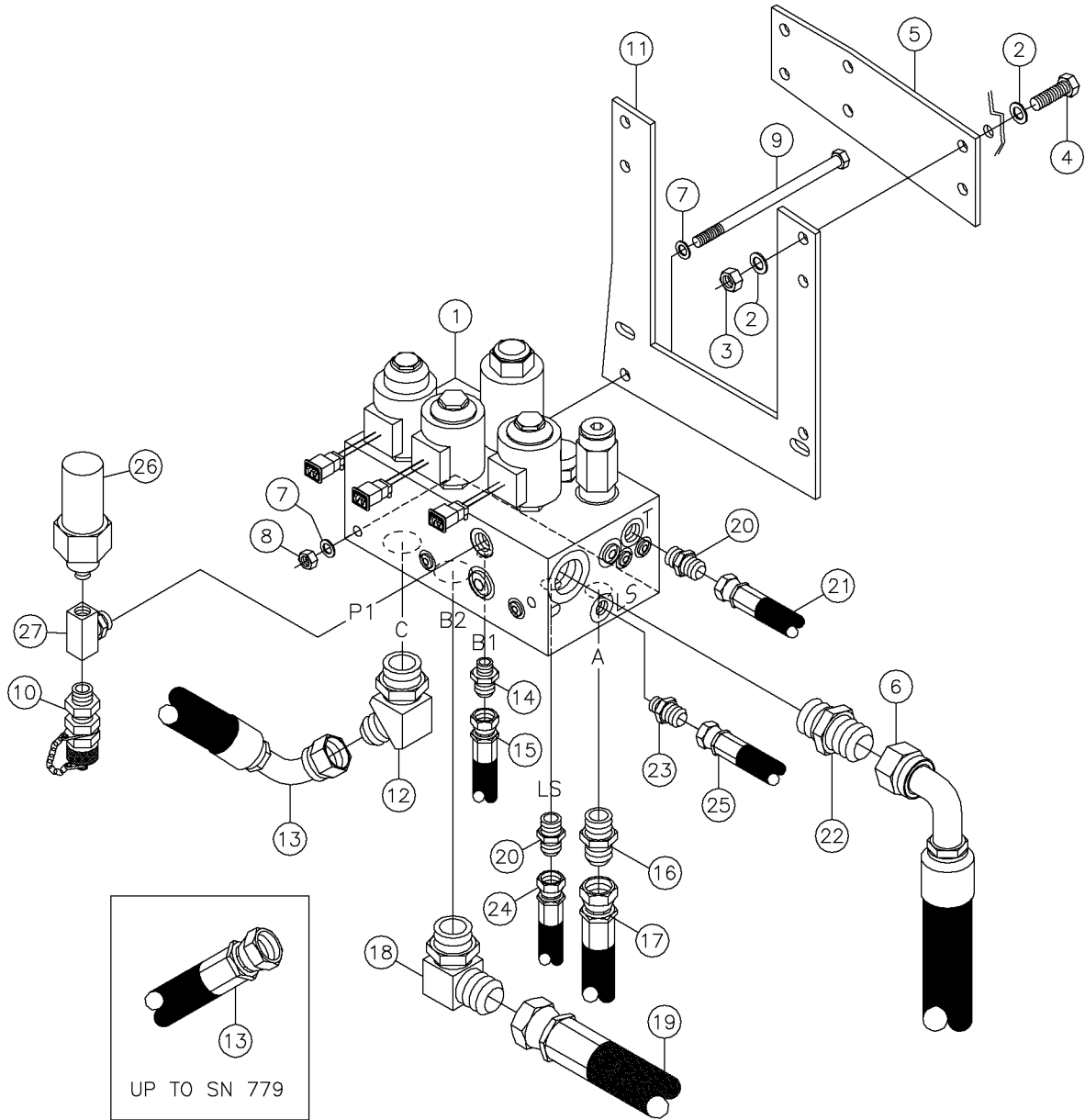
Proportional/Dump Valve (S/N 1472) Fig 2-13r06



Proportional/Dump Valve (S/N 1472) Fig 2-13r06

| REF. NO. | * | PART NO. | DESCRIPTION | QTY. | REMARKS |
|----------|---|---------------|--|------|---|
| | | Revision Date | June, 2006 | | Update In Illustration & Parts List. |
| 1 | | 251609001 | VALVE PROPORTIONAL - MODIFIED | 1 | S/N 101-385, 387-461 Breakdown Fig 2-30 |
| | | 282520001 | VALVE PROPORTIONAL HF990640 | 1 | S/N 463-779, Breakdown Fig 2-43 |
| | | 282862001 | VALVE PROPORTIONAL HF000316 | 1 | S/N 780- |
| | | 289155001 | VALVE - PROPORTIONAL HF000316.A W/ FITTINGS | 1 | Breakdown Fig 2-52 |
| 2 | | 235713001 | WASHER-3/8 SAE HARD ZINC PLTD | 4 | |
| 3 | | 235725001 | NUT-3/8-16 GR8 ZINC PLTD | 2 | |
| 4 | | 235736001 | BOLT-3/8-16X1 1/4 ZINC PLTD | 2 | |
| 5 | | 251533001 | SPACER-VALVE | 1 | |
| 6 | | 53845725 | HOSE-3/4X13 12FS JIC ST/90 3000 | 1 | |
| 7 | | 235714001 | WASHER-5/16 SAE HARD ZINC PLTD | 4 | |
| 8 | | 235741001 | NUT-5/16-18 GR8 ZINC PLTD | 2 | |
| 9 | | 83670050 | BOLT-5/16-18X5 GR.8 HEX HEAD | 2 | |
| 10 | | 72056001 | COUPLING-DIAG. TCM-20 9/16 NF | 1 | |
| 11 | | 296275186 | SUPPORT - MANIFOLD WLDT. | 1 | S/N 1472 & Up |
| 12 | | 88659001 | FITTING-12M ORINGX10MJIC 45DEG | 1 | |
| 13 | | 289156001 | HOSE-5/8 X 101 10 FSJIC X 10 FSJIC 90 | 1 | |
| 14 | | 65569001 | 4M X 6M JIC ST. | 1 | |
| 15 | | 57940613 | HOSE-3/8X92 6FS JIC 3000 PSI | 1 | |
| 16 | | 53824001 | FITTING-#8M O-RING-#8M JIC ST. | 1 | |
| 17 | | 53844223 | HOSE-1/2X62 8FS JIC 3000 PSI | 1 | |
| 18 | | 59409001 | 10M JICX12M ADJ. 90 DEG.ELBOW | 1 | |
| 19 | | 53842525 | HOSE-5/8X24 10FSJICST/90 3000# | 1 | |
| 20 | | 65565001 | FITTING-6M X 6M JIC ST. | 1 | |
| 21 | | 57940035 | HOSE-3/8X28 6FS JIC (100R1) | 1 | |
| 22 | | 53828001 | 12M O-RING - #12M JIC ST. | 1 | |
| 23 | | 65569001 | 4M X 6M JIC ST | 1 | |
| 24 | | 57940383 | HOSE-3/8X12 6FS JIC 5000 PSI | 1 | |
| 25 | | 57940631 | HOSE-3/8X24 6FSJIC-6FSJIC 90 | 1 | |
| 26 | | 296260320 | SWITCH - 500 PSI PRESSURE | 1 | S/N 1095- |
| 27 | | 53843503 | HOSE-1/4X130 4FS JIC 5000 PSI | 1 | S/N 1472 & Up |
| 28 | | 296275187 | VALVE-MANIFOLD | 1 | S/N 1472 & Up |
| 29 | | 57950001 | FITTING-90-4MJ-6MORBA | 2 | S/N 1472 & Up |
| 30 | | 5553001 | FITTING - PLUG - 6MORB - HEX | 1 | |
| 31 | | 248197001 | BOLT-1/4-20X2 GR.8 ZINC PLTD | 2 | |
| 32 | | 53843183 | HOSE-1/4X18 4FS JIC 3000 PSI | 1 | S/N 1472 & Up |

Proportional/Dump Valve Fig 2-13r05

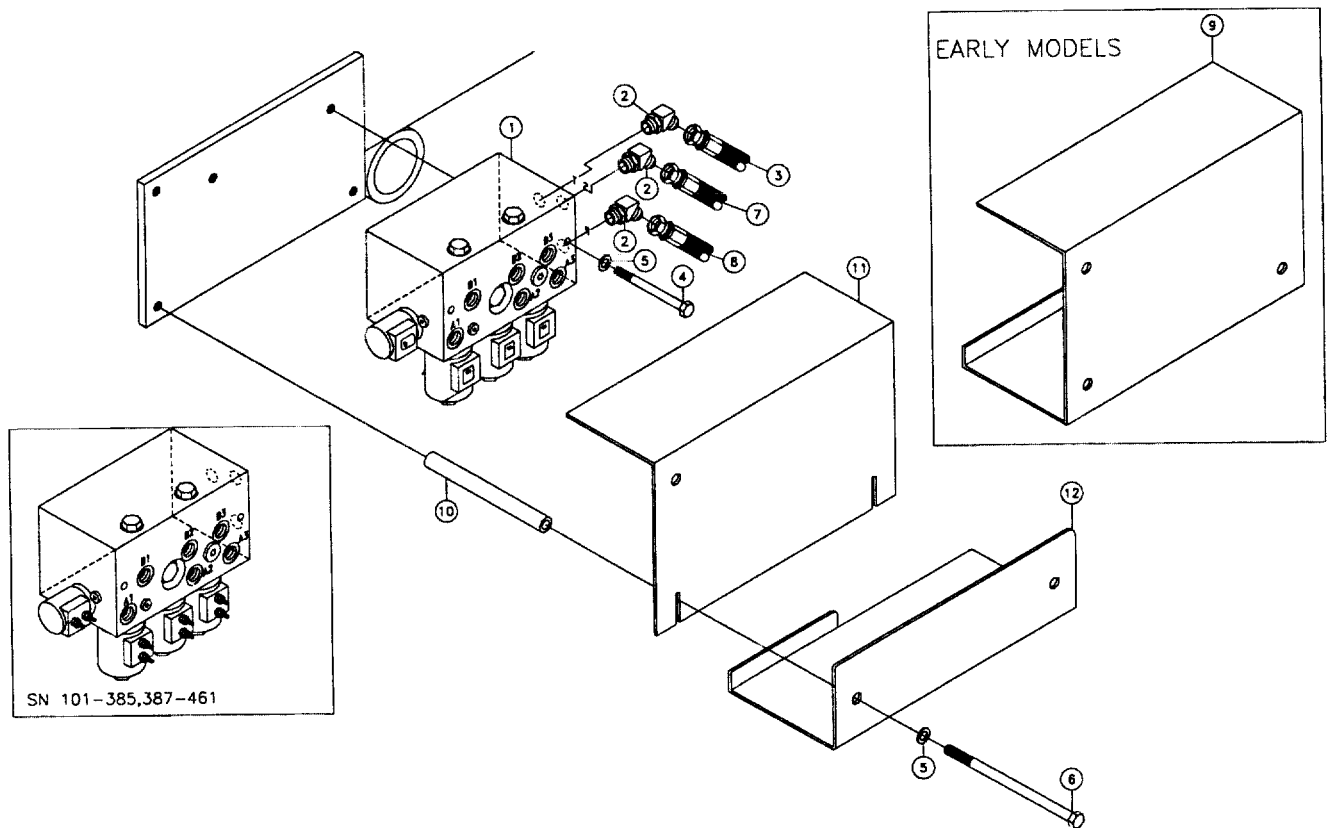


Proportional/Dump Valve Fig 2-13r05

| REF. NO. | * | PART NO. | DESCRIPTION | QTY. | REMARKS |
|----------|---|---------------|---|------|---|
| | | Revision Date | July, 2002 | | Update In Illustration & Parts List. |
| 1 | | 251609001 | VALVE PROPORTIONAL - MODIFIED | 1 | S/N 101-385, 387-461 Breakdown Fig 2-30 |
| | | 282520001 | VALVE PROPORTIONAL HF990640 | 1 | S/N 463-779, Breakdown Fig 2-43 |
| | | 282862001 | VALVE PROPORTIONAL HF000316 | 1 | S/N 780- |
| 2 | | 235713001 | WASHER-3/8 SAE HARD ZINC PLTD | 4 | |
| 3 | | 235725001 | NUT-3/8-16 GR8 ZINC PLTD | 2 | |
| 4 | | 235736001 | BOLT-3/8-16X1 1/4 ZINC PLTD | 2 | |
| 5 | | 251533001 | SPACER-VALVE | 1 | |
| 6 | | 53845725 | HOSE-3/4X13 12FS JIC ST/90 3000 | 1 | |
| 7 | | 235714001 | WASHER-5/16 SAE HARD ZINC PLTD | 4 | |
| 8 | | 235741001 | NUT-5/16-18 GR8 ZINC PLTD | 2 | |
| 9 | | 83670050 | BOLT-5/16-18X5 GR.8 HEX HEAD | 1 | |
| 10 | | 72056001 | COUPLING-DIAG. TCM-20 9/16 NF | 1 | |
| 11 | | 251534001 | SUPPORT-MANIFOLD | 1 | |
| 12 | | 88659001 | FITTING-12M ORINGX10MJIC 45DEG | 1 | |
| 13 | * | 289156001 | HOSE-5/8 X 101 10 FSIJIC X 10 FSIJIC 90 | 1 | |
| 14 | | 65569001 | 4M X 6M JIC ST. | 1 | |
| 15 | | 57940613 | HOSE-3/8X92 6FS JIC 3000 PSI | 1 | |
| 16 | | 53824001 | FITTING-#8M O-RING-#8M JIC ST. | 1 | |
| 17 | | 53844223 | HOSE-1/2X62 8FS JIC 3000 PSI | 1 | |
| 18 | | 59409001 | 10M JICX12M ADJ. 90 DEG.ELBOW | 1 | |
| 19 | | 53842525 | HOSE-5/8X24 10FSJICST/90 3000# | 1 | |
| 20 | | 65565001 | FITTING-6M X 6M JIC ST. | 1 | |
| 21 | | 57940035 | HOSE-3/8X28 6FS JIC (100R1) | 1 | |
| 22 | | 53828001 | 12M O-RING - #12M JIC ST. | 1 | |
| 23 | | 65569001 | 4M X 6M JIC ST | 1 | |
| 24 | | 57940383 | HOSE-3/8X12 6FS JIC 5000 PSI | 1 | |
| 25 | | 57940631 | HOSE-3/8X24 6FSJIC-6FSJIC 90 | 1 | |
| 26 | * | 296260320 | SWITCH - 500 PSI PRESSURE | 1 | S/N 1095- |
| 27 | * | 296260314 | FITTING - 6MOR X 6FOR X 6FOR TEE | 1 | S/N 1095- |

Clamp Valve Fig 2-14r01

Revised January 2000 due to update in illustration & parts list. Added parts marked with *.

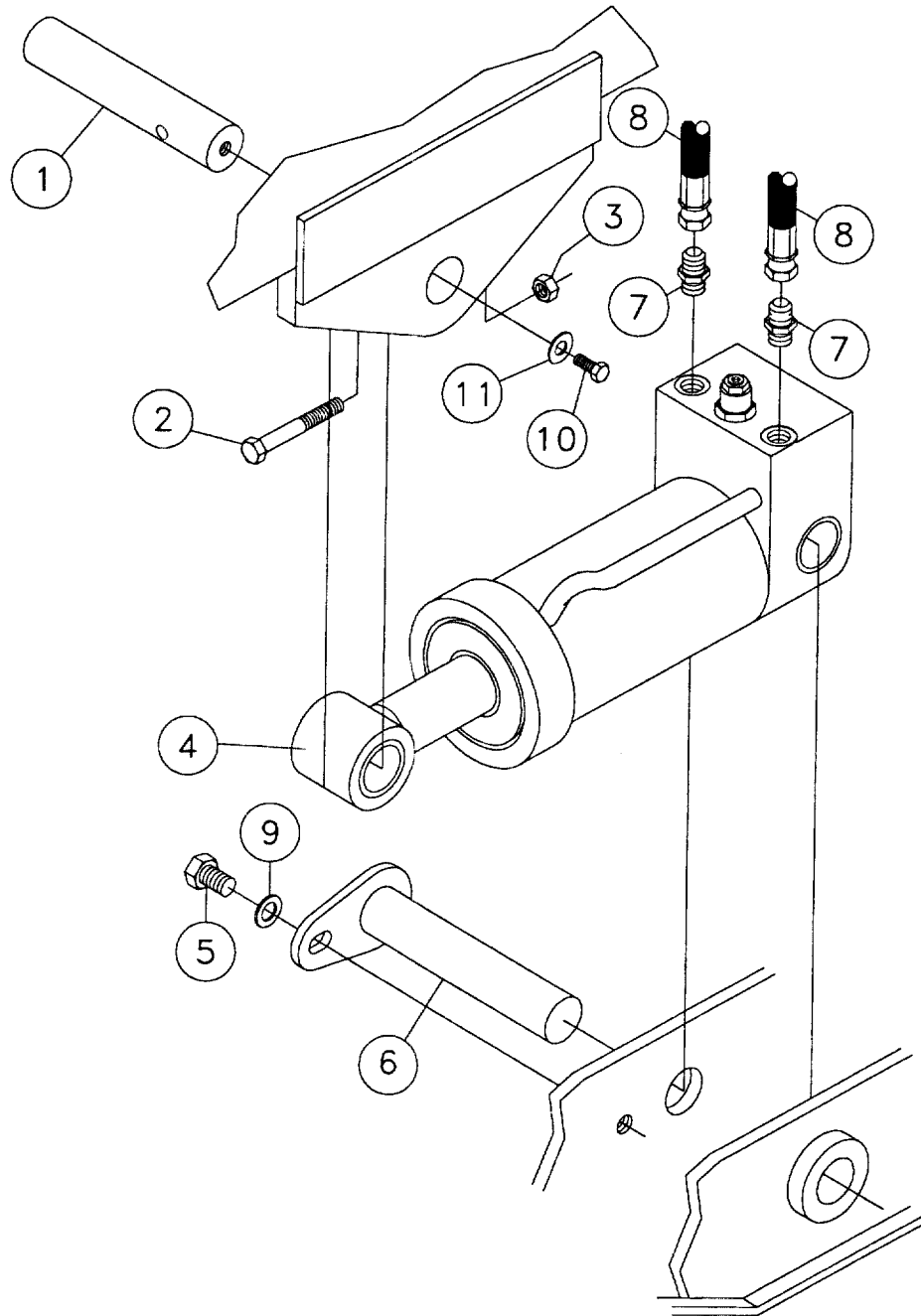


Clamp Valve Fig 2-14r01

| REF. NO. | * | PART NO. | DESCRIPTION | QTY. | REMARKS |
|----------|---|---------------|------------------------------------|------|--|
| | | Revision Date | January, 2000 | | |
| 1 | | 246414001 | VALVE-CLAMP | 1 | S/N 101-385, 387-461, Breakdown Fig 2-31 |
| | * | 282523001 | VALVE-VISE | 1 | S/N 386, 462-, Breakdown Fig 2-42 |
| 2 | | 65563001 | 6M X 6M JIC 45 DEGREE | 3 | |
| 3 | | 57940469 | HOSE-3/8X96 6FS JIC 3000 PSI | 2 | |
| 4 | | 240377001 | BOLT-3/8"-16X3 1/4" GR 8 ZINC PLTD | | Used When Not Equipped W/Rod Loader |
| | | 238246001 | BOLT 3/8"-16 X 4 1/2" GR8 HEX | 2 | Used When Equipped W/Rod Loader |
| 5 | | 235713001 | WASHER-3/8 SAE HARD ZINC PLTD | 3 | |
| 6 | | 278010001 | BOLT-3/8-16X6 1/2 GR8 HEX ZINC | 3 | |
| 7 | | 62809027 | HOSE-3/8X64 6FS JIC (M2T) | 1 | |
| 8 | | 57940613 | HOSE-3/8X92 6FS JIC 3000 PSI | 1 | |
| 9 | | 245191001 | PLATE-COVER | 1 | |
| 10 | | 278011001 | TUBE SPACER | 3 | |
| 11 | * | 282784001 | PLATE-UPPER COVER | 1 | |
| 12 | * | 282783001 | PLATE-LOWER COVER | 1 | |

Rack Lift Cylinder Fig 2-15r01

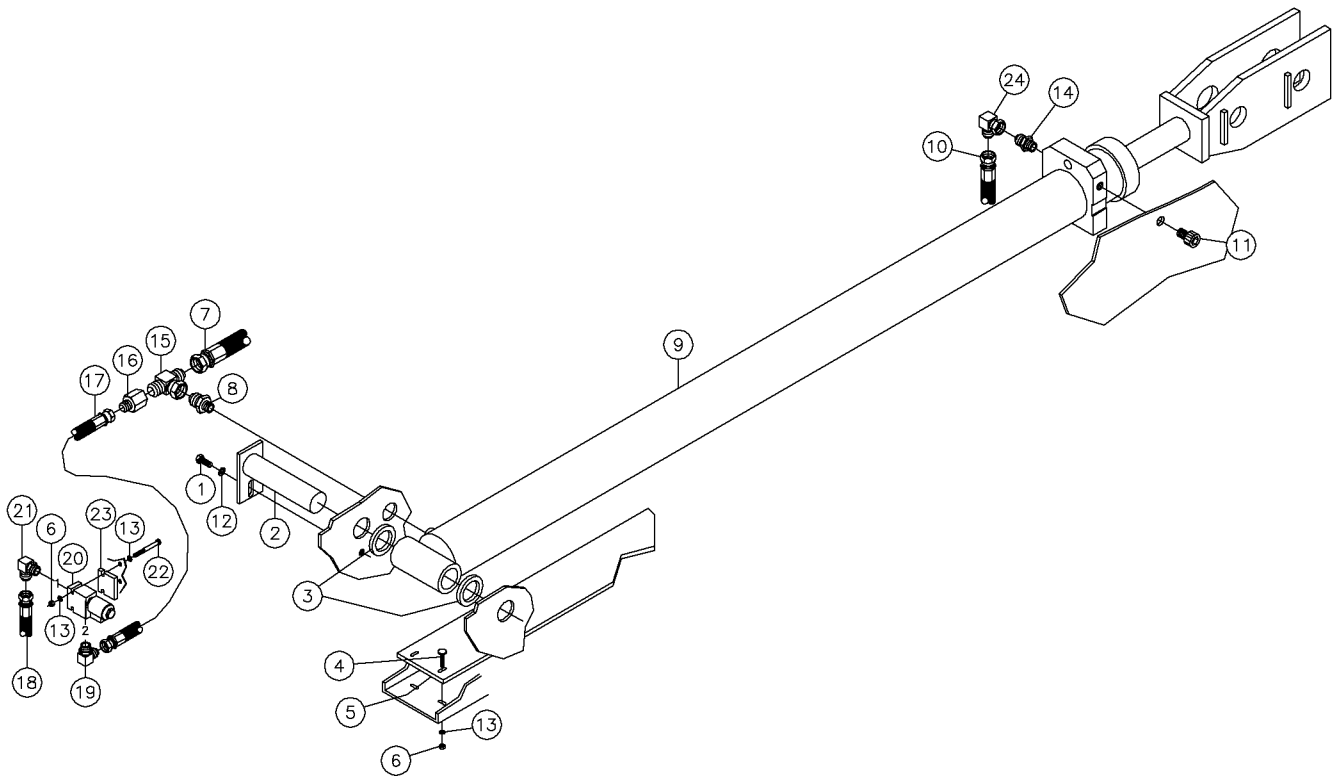
Revised January 2000 due to update in illustration & parts list. Added parts marked with *.



Rack Lift Cylinder Fig 2-15r01

| REF. NO. | * | PART NO. | DESCRIPTION | QTY. | REMARKS |
|----------|---|---------------|--------------------------------|------|--------------------|
| | | Revision Date | January, 2000 | | |
| 1 | | 234601001 | PIN-RACK LIFT | 1 | |
| 2 | | 235743001 | BOLT-3/8-16X3 GR8 HEX ZNC PLTD | 1 | |
| 3 | | 235725001 | NUT-3/8-16 GR8 ZINC PLTD | 1 | |
| 4 | | 229414001 | CYLINDER-3 1/2 X 4 | 1 | Breakdown Fig 2-22 |
| 5 | | 235729001 | BOLT-1/2-13X1 GR8 HEX ZINC PLT | 1 | |
| 6 | | 234608001 | PIN-RACK LIFT | 1 | |
| 7 | | 65565001 | FITTING-6M X 6M JIC ST. | 2 | |
| 8 | | 57940151 | HOSE-3/8X88 6FS JIC (100R2) | 2 | |
| 9 | | 485025 | WASHER-1/2 FLAT-HARDENED-ZINC | 1 | |
| 10 | * | 235726001 | BOLT-3/8-16X3/4 GR 8 ZNC PLTD | 1 | S/N 459- |
| 11 | * | 235713001 | WASHER-3/8 SAE HRD ZNC PLTD | 1 | S/N 459- |

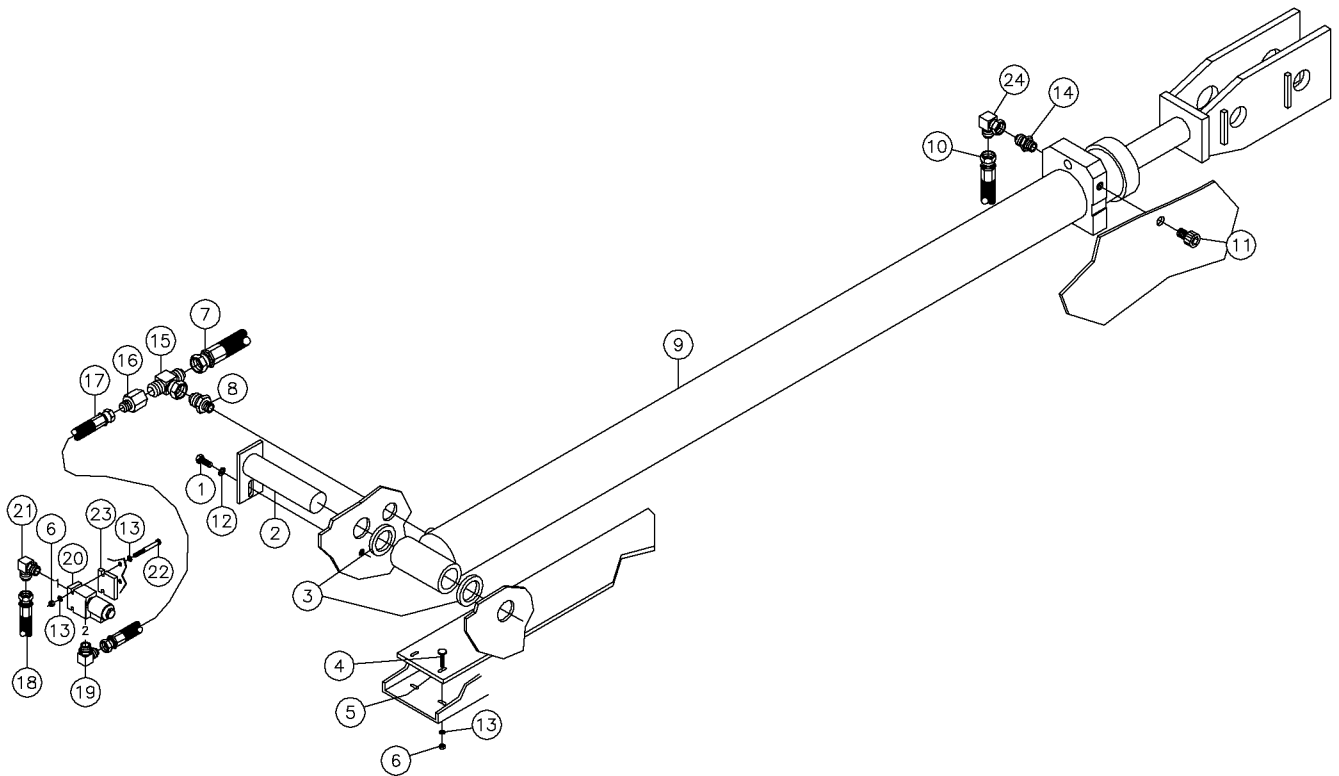
Thrust/Pullback Cylinder Fig 2-16r06



Thrust/Pullback Cylinder Fig 2-16r06

| REF. NO. | * | PART NO. | DESCRIPTION | QTY. | REMARKS |
|----------|---|---------------|--|------|--|
| | | Revision Date | November, 2005 | | Update In Parts List. |
| 1 | | 235729001 | BOLT-1/2-13X1 GR8 HEX ZINC PLT | 1 | |
| 2 | | 234605001 | PIN-THRUST | 1 | |
| 3 | | 213687001 | TUBE-SPACER | 2 | |
| 4 | | 543007 | 1/4-20X7/8 ELEVATOR BOLT (REPLACES 113551-006) | 4 | Replaces 113551006 |
| 5 | | 234611001 | GUARD-CHAIN | 1 | |
| 6 | | 235732001 | NUT-1/4-20 GR8 ZINC PLTD | 6 | |
| 7 | | 53845305 | HOSE-3/4X 112 12FS JIC 3000 PSI | 1 | |
| 8 | | 81930001 | FITTING-8MX12M JIC STR. | 1 | |
| 9 | | 229491001 | CYLINDER-3 1/2 X 65 | 1 | Breakdown Fig 2-23 |
| 10 | | 53842351 | HOSE-5/8X64 10FS JIC 3000 PSI | 1 | |
| 11 | | 240059001 | SCREW-5/8-11X1 SOC HD ZNC PLTD | 2 | |
| 12 | | 235713001 | WASHER-3/8 SAE HARD ZINC PLTD | 1 | |
| 13 | | 235716001 | WASHR-1/4 SAE HARD ZINC PLTD | 8 | |
| 14 | | 67850001 | 8M X 10M JIC STR | 1 | |
| 15 | | 61456001 | 12JIC BCH SW NUT TEE | 1 | |
| 16 | | 59421001 | 12F JICX8M JIC ST REDUCER | 1 | |
| 17 | | 53844005 | HOSE-1/2X12 8FS JIC (100R2) | 1 | |
| 18 | | 289063001 | HOSE - HYD .63 X 20 10FSJ-10FSJ90-3000 | 1 | S/N 883- |
| 19 | | 53837001 | #8M O-RING-#8M JIC 90 DEG. | 1 | |
| 20 | | 251574001 | VALVE-SOLENOID 2-WAY | 1 | S/N 101-385, 387-461, Breakdown Fig 2-32 |
| | | 282524001 | VALVE-2P2W HF990724 | 1 | S/N 386-, Breakdown Fig 2-44 |
| 21 | | 53823001 | #8M O-RING-#10M JIC 90 DEG. | 1 | |
| 22 | | 250644001 | BOLT-1/4-20X2 1/4 GR8 Y/ZINC | 2 | |
| 23 | | 245175001 | PLATE-VALVE SPACER | 1 | |
| 24 | * | 61694001 | 10M JIC X 10FS JIC 90 DEG | 1 | |

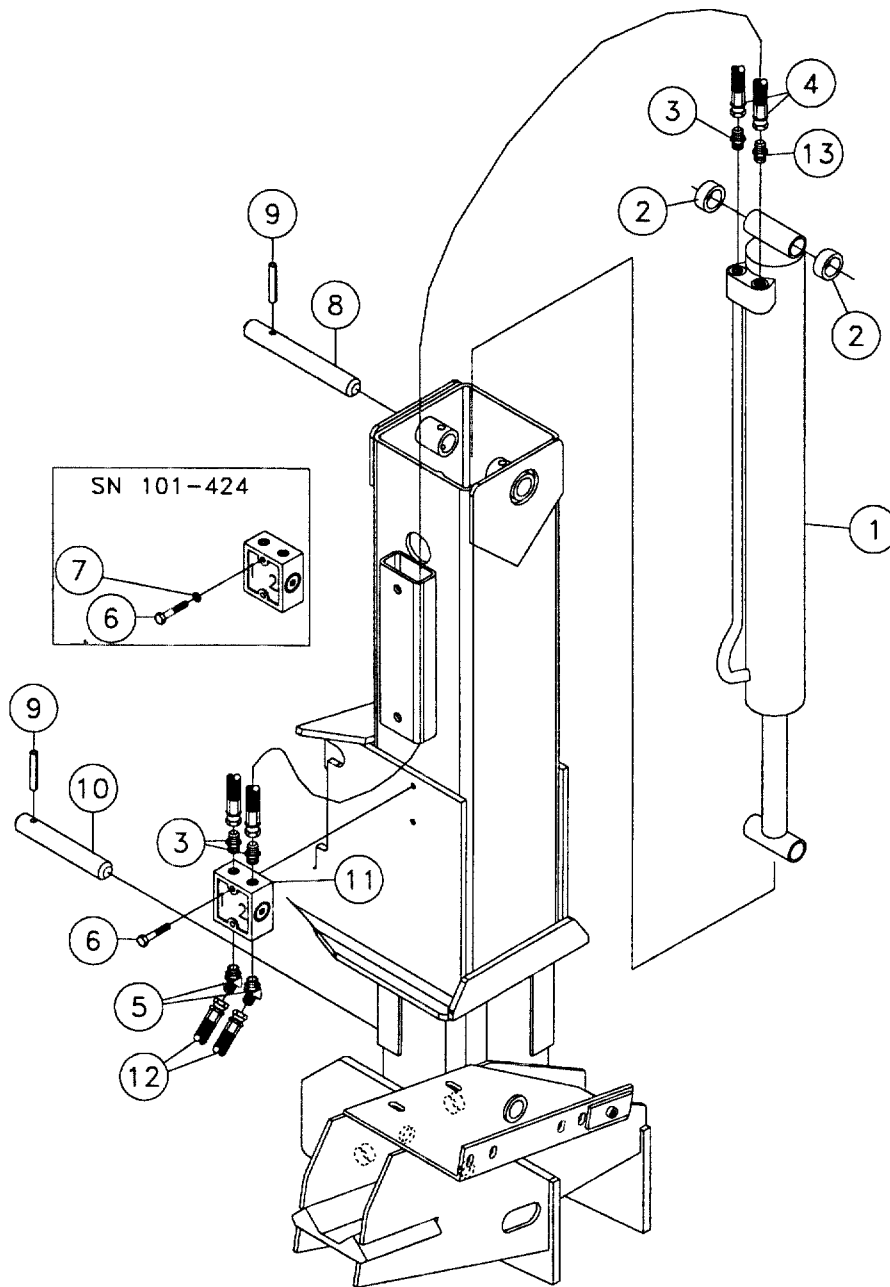
Thrust/Pullback Cylinder Fig 2-16r05



Thrust/Pullback Cylinder Fig 2-16r05

| REF. NO. | * | PART NO. | DESCRIPTION | QTY. | REMARKS |
|----------|---|---------------|--|------|--|
| | | Revision Date | July, 2002 | | Update In Illustration & Parts List. |
| 1 | | 235729001 | BOLT-1/2-13X1 GR8 HEX ZINC PLT | 1 | |
| 2 | | 234605001 | PIN-THRUST | 1 | |
| 3 | | 213687001 | TUBE-SPACER | 2 | |
| 4 | | 543007 | 1/4-20X7/8 ELEVATOR BOLT (REPLACES 113551-006) | 4 | Replaces 113551006 |
| 5 | | 234611001 | GUARD-CHAIN | 1 | |
| 6 | | 235732001 | NUT-1/4-20 GR8 ZINC PLTD | 6 | |
| 7 | | 53845305 | HOSE-3/4X 112 12FS JIC 3000 PSI | 1 | |
| 8 | | 81930001 | FITTING-8MX12M JIC STR. | 1 | |
| 9 | | 229491001 | CYLINDER-3 1/2 X 65 | 1 | Breakdown Fig 2-23 |
| 10 | | 53842351 | HOSE-5/8X64 10FS JIC 3000 PSI | 1 | |
| 11 | | 240059001 | SCREW-5/8-11X1 SOC HD ZNC PLTD | 2 | |
| 12 | | 235713001 | WASHER-3/8 SAE HARD ZINC PLTD | 1 | |
| 13 | | 235716001 | WASHR-1/4 SAE HARD ZINC PLTD | 8 | |
| 14 | | 67850001 | 8M X 10M JIC STR | 1 | |
| 15 | | 61456001 | 12JIC BCH SW NUT TEE | 1 | |
| 16 | | 59421001 | 12F JICX8M JIC ST REDUCER | 1 | |
| 17 | | 53844005 | HOSE-1/2X12 8FS JIC (100R2) | 1 | |
| 18 | * | 289063001 | HOSE - HYD .63 X 20 10FSJ-10FSJ90-3000 | 1 | S/N 883- |
| 19 | | 53837001 | #8M O-RING-#8M JIC 90 DEG. | 1 | |
| 20 | | 251574001 | VALVE-SOLENOID 2-WAY | 1 | S/N 101-385, 387-461, Breakdown Fig 2-32 |
| | | 282524001 | VALVE-2P2W HF990724 | 1 | S/N 386-, Breakdown Fig 2-44 |
| 21 | | 53823001 | #8M O-RING-#10M JIC 90 DEG. | 1 | |
| 22 | | 250644001 | BOLT-1/4-20X2 1/4 GR8 Y/ZINC | 2 | |
| 23 | | 245175001 | PLATE-VALVE SPACER | 1 | |

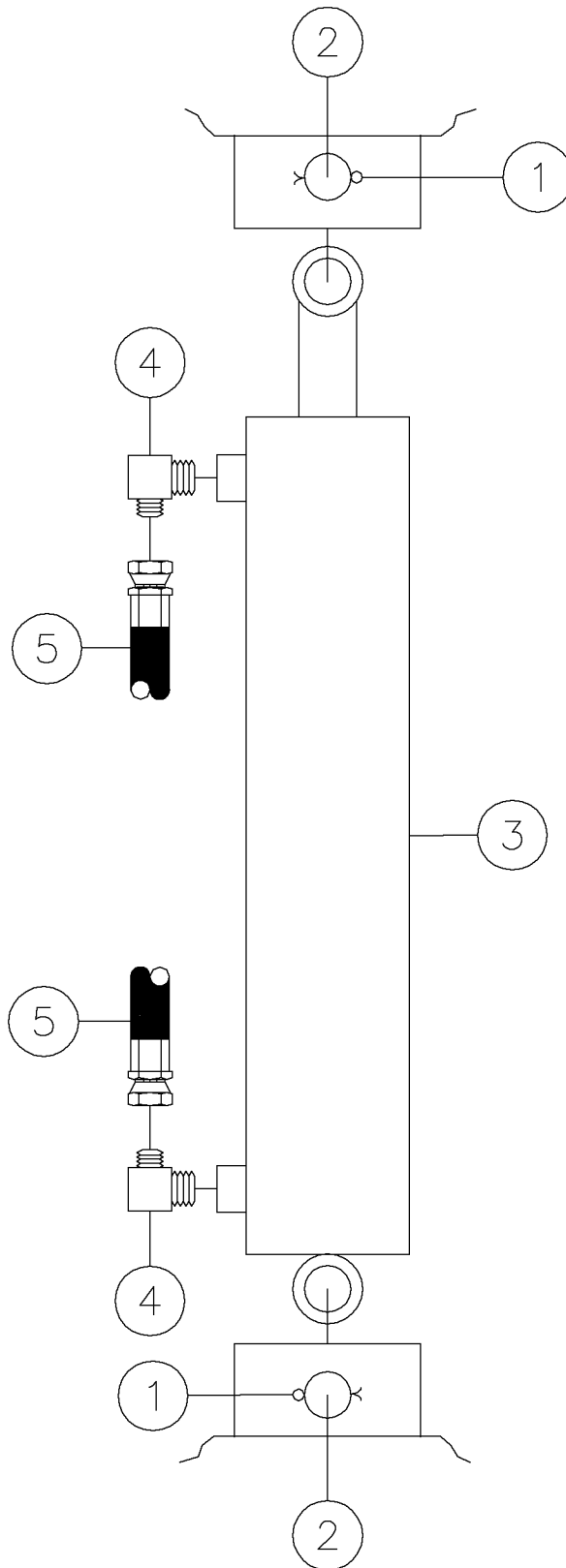
Outrigger Cylinder Fig 2-17r02



Outrigger Cylinder Fig 2-17r02

| REF. NO. | * | PART NO. | DESCRIPTION | QTY. | REMARKS |
|----------|---|---------------|--|------|--------------------|
| | | Revision Date | January, 2000 | | |
| 1 | | 217178001 | CYL-2 1/2X24 | 1 | Breakdown Fig 2-24 |
| 2 | | 1095033 | TUBE | 2 | |
| 3 | * | 65565001 | FITTING-6M X 6M JIC ST. | 3 | |
| 4 | | 57940281 | HOSE-3/8X40 6FS JIC 3000 PSI | 2 | |
| 5 | | 65563001 | 6MX6M JIC 45 DEG. | 2 | |
| 6 | | 248030001 | BOLT-5/16-18X1 3/4 GR 8 ZINC PL | 2 | |
| 7 | | 235714001 | WASHER-5/16 SAE HARD ZINC PLTD (SN101-424) | 2 | |
| 8 | | 216681001 | PIN-OUTRIGGER CYLINDER | 1 | |
| 9 | | 1788033 | PIN-EXP 3/82 1/4 | 2 | |
| 10 | | 278018001 | PIN-OUTRIGGER CYL. | 1 | |
| 11 | | 86668001 | VALVE-LOA-6-D | 1 | Breakdown Fig 8-6 |
| 12 | | 57940145 | HOSE-3/8X44 6FS JIC (100R2) | 2 | |
| 13 | * | 600087001 | FIT-6M O-RING X 6M JIC ST W/R.062 | 1 | |

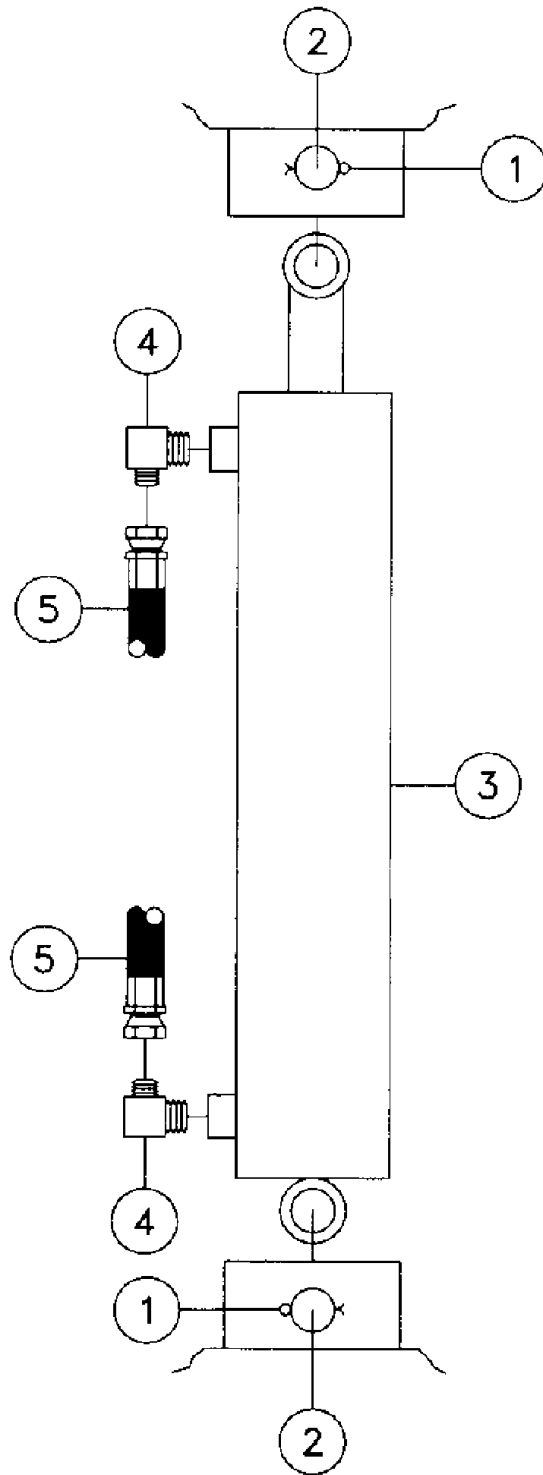
Track Extension Cylinder Fig 2-18r01



Track Extension Cylinder Fig 2-18r01

| REF. NO. | * | PART NO. | DESCRIPTION | QTY. | REMARKS |
|----------|---|---------------|---------------------------|------|--------------------------------------|
| | | Revision Date | May, 2005 | | Update In Illustration & Parts List. |
| 1 | | 510019 | COTTER PIN-5/32" X 2" | 4 | |
| 2 | | 211232001 | PIN-CYLINDER | 2 | |
| 3 | | 215768001 | CYLINDER-3X14 | 1 | Breakdown Fig. 2-25 |
| 4 | | 57952001 | 3/8"MX6JIC 90DEG | 2 | |
| 5 | | 57940545 | HOSE-3/8X104 6FS 3000 PSI | 2 | |

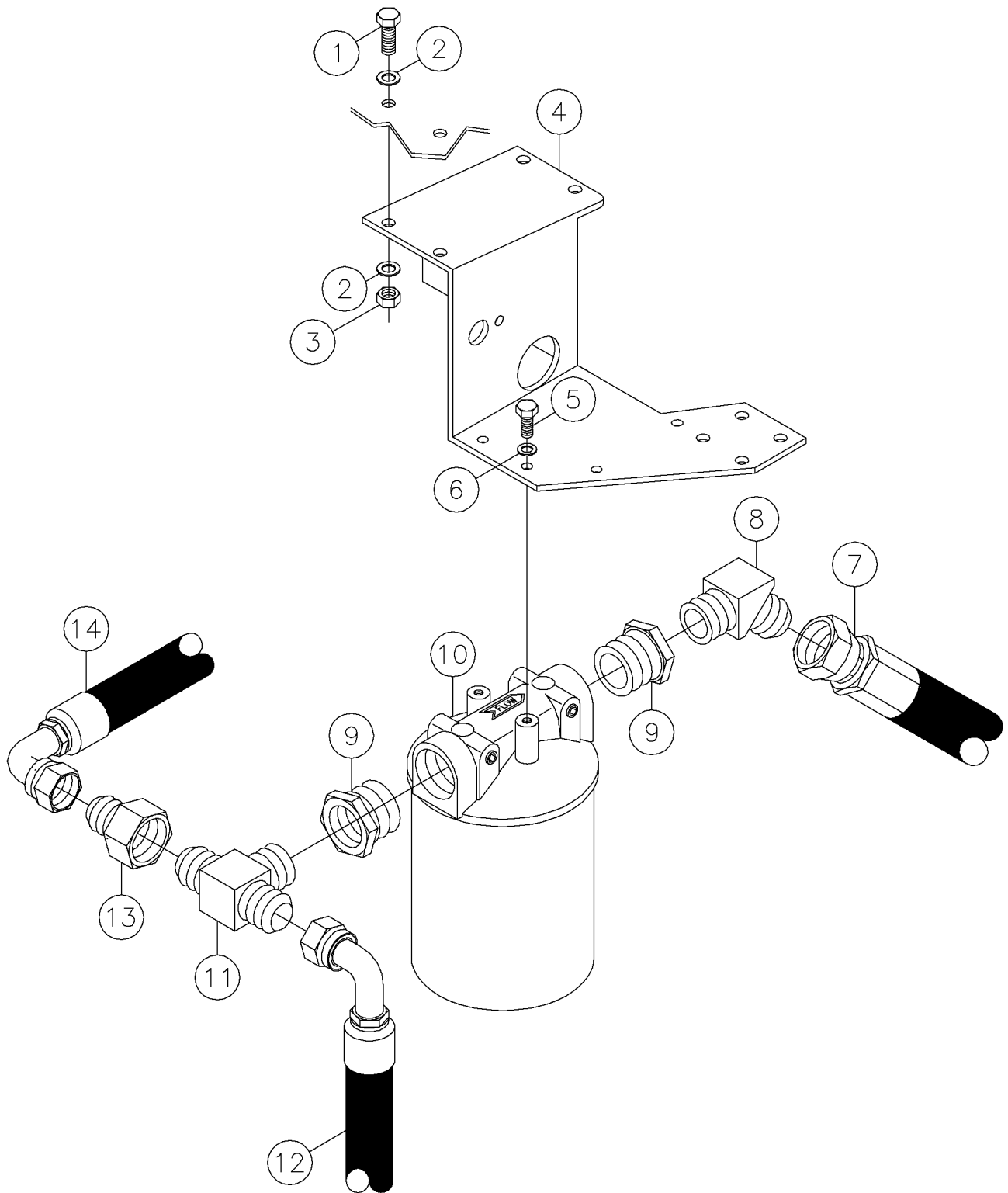
Track Extension Cylinder Fig 2-18



Track Extension Cylinder Fig 2-18

| REF. NO. | * | PART NO. | DESCRIPTION | QTY. | REMARKS |
|----------|---|-----------|---------------------------|------|---------|
| 1 | | 510019 | COTTER PIN-5/32" X 2" | 4 | |
| 2 | | 211232001 | PIN-CYLINDER | 2 | |
| 3 | | 215768001 | CYLINDER-3X14 | 1 | ∇ 2-25 |
| 4 | | 57952001 | 3/8"MX6JIC 90DEG | 2 | |
| 5 | | 57940545 | HOSE-3/8X104 6FS 3000 PSI | 2 | |

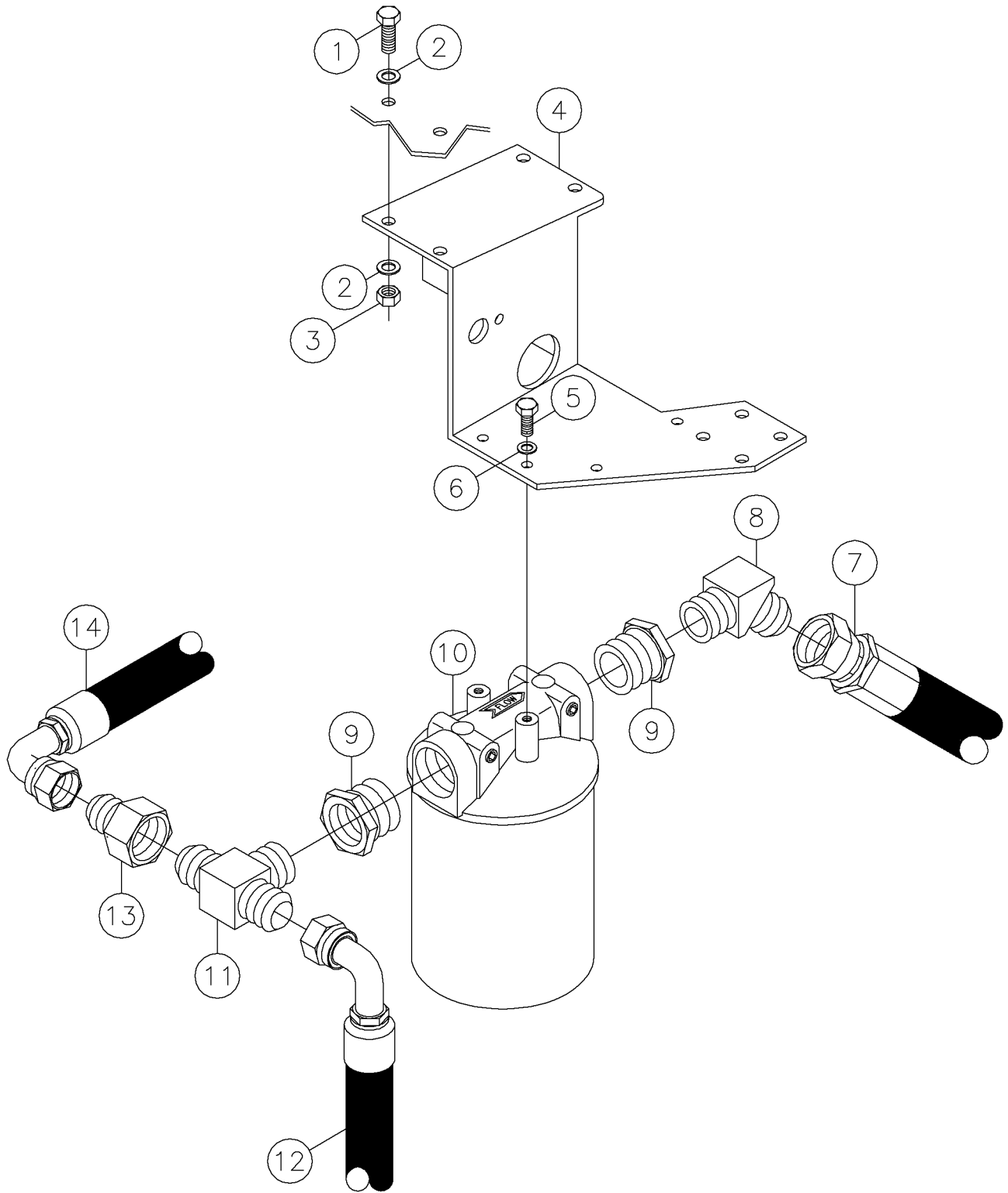
Oil Filter - Load Sense Fig 2-19r03



Oil Filter - Load Sense Fig 2-19r03

| REF. NO. | * | PART NO. | DESCRIPTION | QTY. | REMARKS |
|----------|---|---------------|--------------------------------|------|-----------------------|
| | | Revision Date | May, 2006 | | Update In Parts List. |
| 1 | | 235727001 | BOLT-3/8-16X1 GR8 HEX ZINC PLT | 4 | |
| 2 | | 235713001 | WASHER-3/8 SAE HARD ZINC PLTD | 8 | |
| 3 | | 235725001 | NUT-3/8-16 GR8 ZINC PLTD | 4 | |
| 4 | | 251536001 | BRACKET-FILTERS & THRUST CABLE | 1 | |
| 5 | | 235742001 | BOLT-5/16-18X3/4 GR8 ZINC PLTD | 2 | |
| 6 | | 235714001 | WASHER-5/16 SAE HARD ZINC PLTD | 2 | |
| 7 | | 53846063 | HOSE-1X22 16FS JIC (100R4) | 1 | |
| 8 | | 60904001 | 1M NPT X 16M JIC 45 DEG ELBOW | 1 | |
| 9 | | 730019 | 1 1/4" X 1" HEX BUSHING STEEL | 1 | |
| 10 | * | 283509001 | FILTER-HYD ASSY. | 1 | Replaces 16284001 |
| | | 296269657 | FILTER - 5 MICRON HYDRAULIC | 1 | S/N 1437 & Up |
| 11 | | 100353001 | TEE-1M(BCH)X16MJICX16MJIC | 1 | |
| 12 | | 275756001 | HOSE-1X68 16FSJIC ST/90 M3K | 1 | |
| 13 | | 70028001 | FITTING-16F JICX 12M JIC | 1 | |
| 14 | | 53845673 | HOSE-3/4X19 12FSJIC-12FSJIC 90 | 1 | |

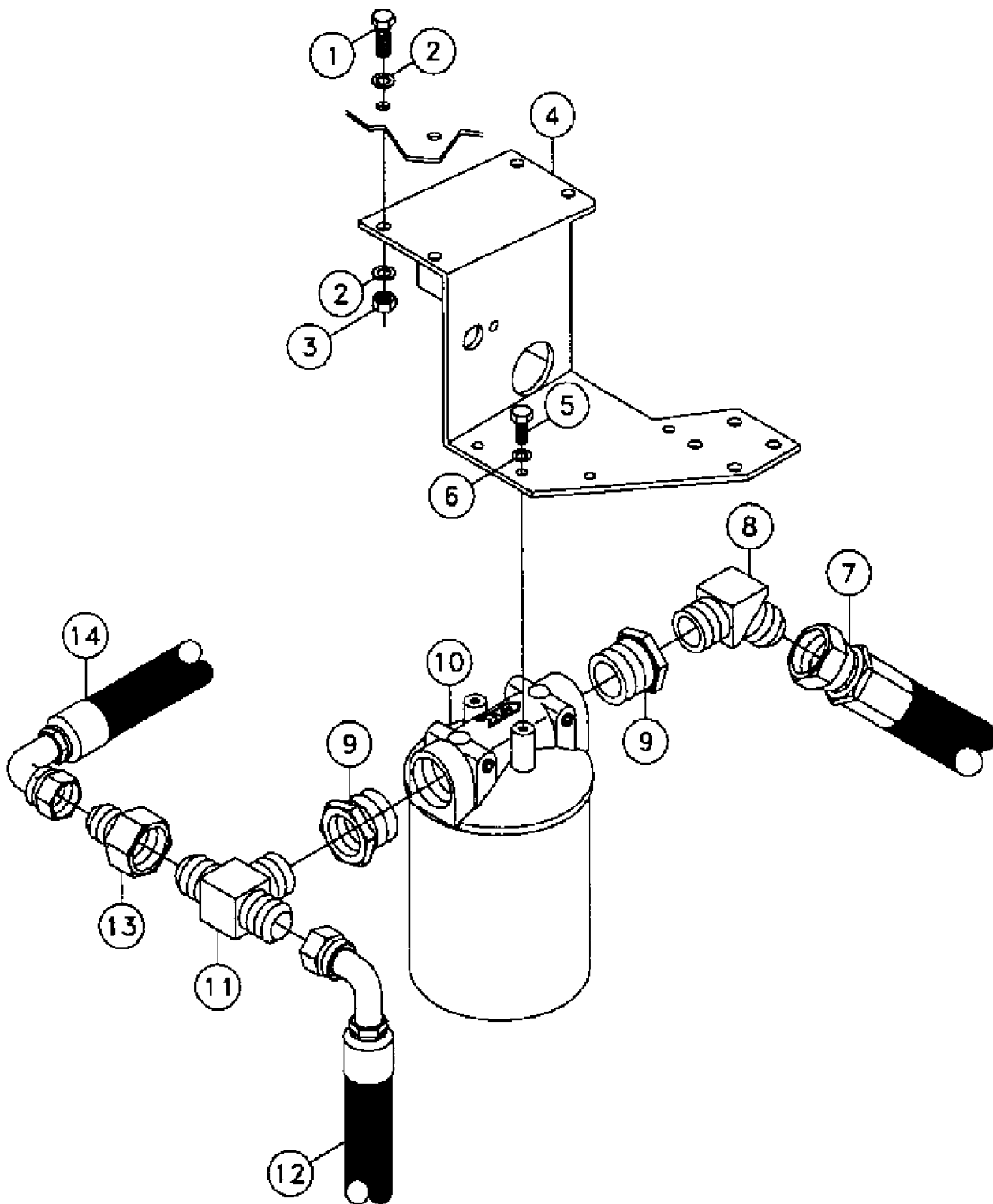
Oil Filter - Load Sense Fig 2-19r02



Oil Filter - Load Sense Fig 2-19r02

| REF. NO. | * | PART NO. | DESCRIPTION | QTY. | REMARKS |
|----------|---|---------------|--------------------------------|------|-----------------------|
| | | Revision Date | May, 2005 | | Update In Parts List. |
| 1 | | 235727001 | BOLT-3/8-16X1 GR8 HEX ZINC PLT | 4 | |
| 2 | | 235713001 | WASHER-3/8 SAE HARD ZINC PLTD | 8 | |
| 3 | | 235725001 | NUT-3/8-16 GR8 ZINC PLTD | 4 | |
| 4 | | 251536001 | BRACKET-FILTERS & THRUST CABLE | 1 | |
| 5 | | 235742001 | BOLT-5/16-18X3/4 GR8 ZINC PLTD | 2 | |
| 6 | | 235714001 | WASHER-5/16 SAE HARD ZINC PLTD | 2 | |
| 7 | | 53846063 | HOSE-1X22 16FS JIC (100R4) | 1 | |
| 8 | | 60904001 | 1M NPT X 16M JIC 45 DEG ELBOW | 1 | |
| 9 | | 730019 | 1 1/4" X 1" HEX BUSHING STEEL | 1 | |
| 10 | * | 283509001 | FILTER-HYD ASSY. | 1 | Replaces 16284001 |
| | * | 251137001 | FILTER-10MICRON HYD | 1 | Replaces 2708001 |
| 11 | | 100353001 | TEE-1M(BCH)X16MJICX16MJIC | 1 | |
| 12 | | 275756001 | HOSE-1X68 16FSJIC ST/90 M3K | 1 | |
| 13 | | 70028001 | FITTING-16F JICX 12M JIC | 1 | |
| 14 | | 53845673 | HOSE-3/4X19 12FSJIC-12FSJIC 90 | 1 | |

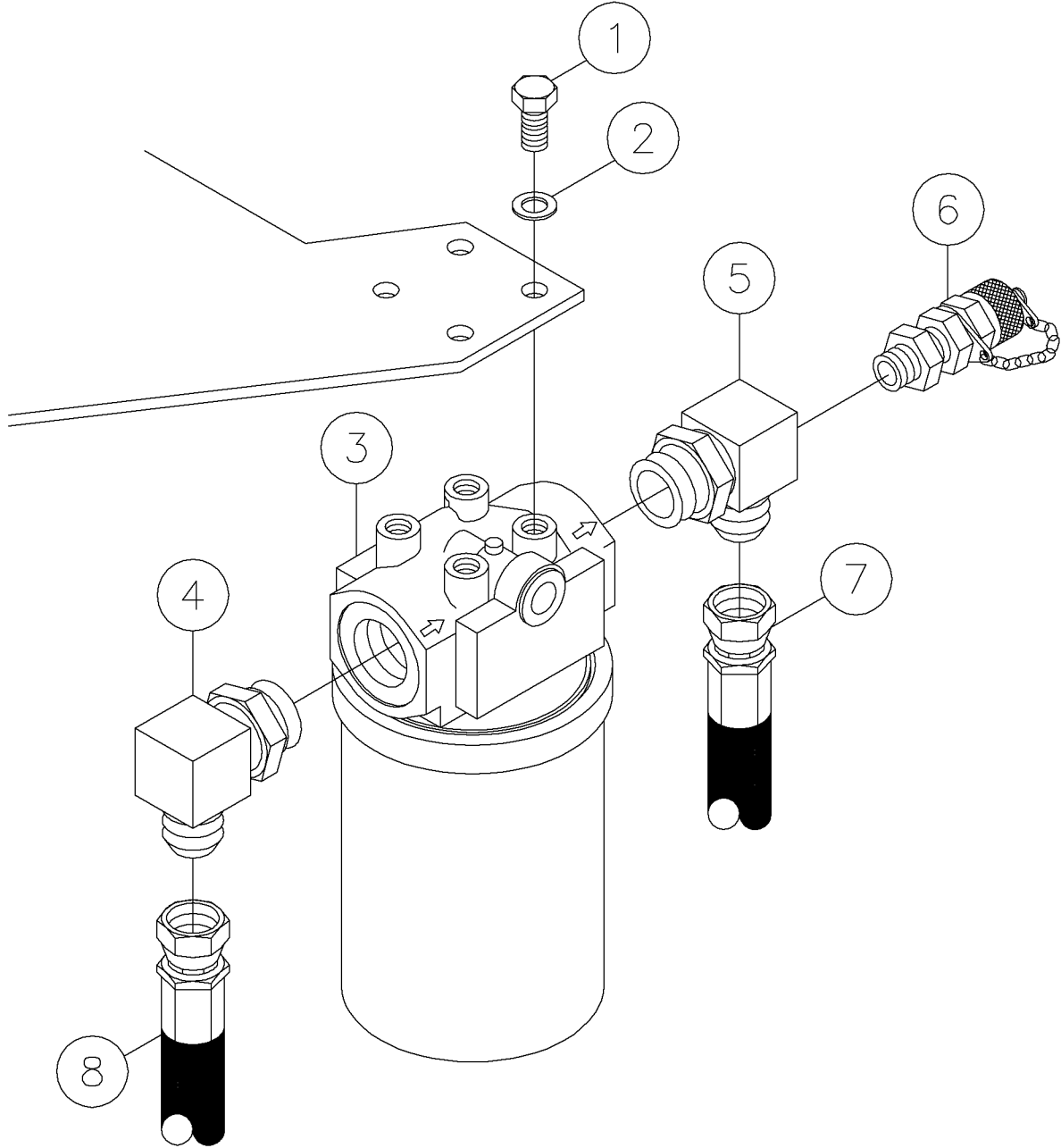
Oil Filter - Load Sense Fig 2-19r01



Oil Filter - Load Sense Fig 2-19r01

| REF. NO. | * | PART NO. | DESCRIPTION | QTY. | REMARKS |
|----------|---|---------------|--------------------------------|------|-------------------|
| | | Revision Date | August, 1999 | | |
| 1 | | 235727001 | BOLT-3/8-16X1 GR8 HEX ZINC PLT | 4 | |
| 2 | | 235713001 | WASHER-3/8 SAE HARD ZINC PLTD | 8 | |
| 3 | | 235725001 | NUT-3/8-16 GR8 ZINC PLTD | 4 | |
| 4 | | 251536001 | BRACKET-FILTERS & THRUST CABLE | 1 | |
| 5 | | 235742001 | BOLT-5/16-18X3/4 GR8 ZINC PLTD | 2 | |
| 6 | | 235714001 | WASHER-5/16 SAE HARD ZINC PLTD | 2 | |
| 7 | | 53846063 | HOSE-1X22 16FS JIC (100R4) | 1 | |
| 8 | | 60904001 | 1M NPT X 16M JIC 45 DEG ELBOW | 1 | |
| 9 | | 730019 | 1 1/4" X 1" HEX BUSHING STEEL | 1 | |
| 10 | * | 283509001 | FILTER-HYD ASSY. | 1 | Replaces 16284001 |
| | * | 251137001 | FILTER-10MICRON HYD | 1 | Replaces 2708001 |
| 11 | | 100353001 | TEE-1M(BCH)X16MJICX16MJIC | 1 | |
| 12 | | 53846319 | HOSE-1X60 16FSJIC/16FSJIC 90 | 1 | |
| 13 | | 70028001 | FITTING-16F JICX 12M JIC | 1 | |
| 14 | | 53845673 | HOSE-3/4X19 12FSJIC-12FSJIC 90 | 1 | |

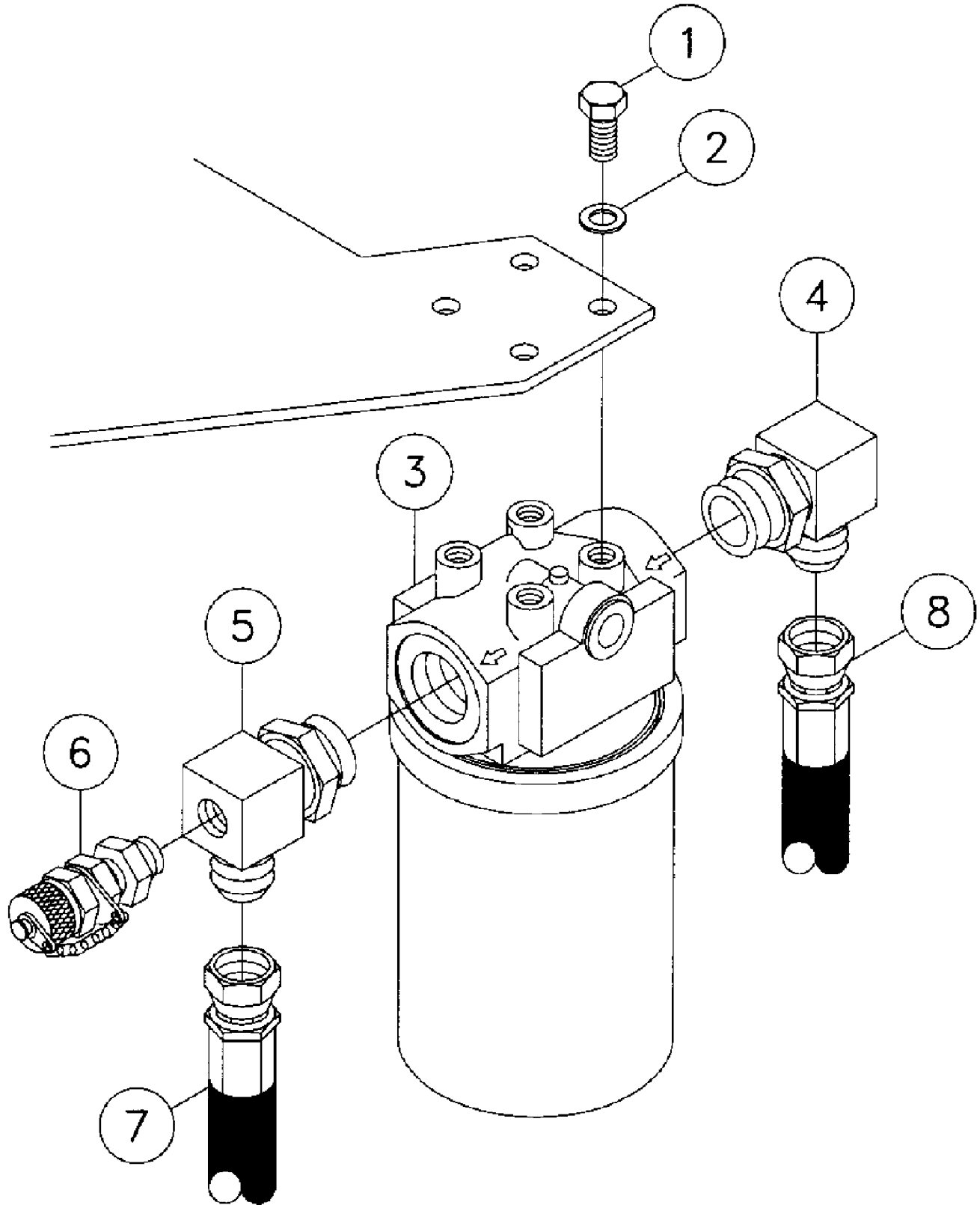
Oil Filter - Charge Fig 2-20r01



Oil Filter - Charge Fig 2-20r01

| REF. NO. | * | PART NO. | DESCRIPTION | QTY. | REMARKS |
|----------|---|---------------|---|------|--------------------------------------|
| | | Revision Date | May, 2005 | | Update In Illustration & Parts List. |
| 1 | | 235726001 | BOLT-3/8-16X3/4 GR8 HEX ZNCPLT | 4 | |
| 2 | | 235713001 | WASHER-3/8 SAE HARD ZINC PLTD | 4 | |
| 3 | | 230520001 | FILTER ASSY-OIL | 1 | |
| | | 81902001 | FILTER-OIL (ELEMENT) | 1 | |
| 4 | | 57949001 | FITTING-12MX8M JIC 90 DEG. EL. | 1 | |
| 5 | | 296280342 | FITTING-90-8MJ-12MORBA-P4-6FJ | 1 | |
| 6 | | 72056001 | FITTING-TEST-6MORB-16MTP | 1 | |
| 7 | | 53844677 | HOSE-1/2X19 8FSJIC 100R1 | 1 | |
| 8 | | 296067001 | HOSE-HYD-.50 X 24 8FSJ ST/ST 3000PSI | 1 | |

Oil Filter - Charge Fig 2-20



Oil Filter - Charge Fig 2-20

| REF. NO. | * | PART NO. | DESCRIPTION | QTY. | REMARKS |
|----------|---|-----------|--------------------------------|------|---------|
| 1 | | 235726001 | BOLT-3/8-16X3/4 GR8 HEX ZNCPLT | 4 | |
| 2 | | 235713001 | WASHER-3/8 SAE HARD ZINC PLTD | 4 | |
| 3 | | 230520001 | FILTER ASSY-OIL | 1 | |
| | | 81902001 | FILTER-OIL (ELEMENT) | 1 | |
| 4 | | 57949001 | FITTING-12MX8M JIC 90 DEG. EL. | 1 | |
| 5 | | 235602001 | FITTING-PRESSURE CHECK | 1 | |
| 6 | | 75492001 | COUPLER-MALE TCM20-1/4"NPT-V | 1 | |
| 7 | | 53844677 | HOSE-1/2X19 8FSJIC 100R1 | 1 | |
| 8 | | 53844291 | HOSE-1/2X26 8FS JIC 2000 PSI | 1 | |

Miscellaneous Supplies Fig 2-21r01

CORDURA SLEEVES



| INSIDE DIAMETER | PART NUMBER |
|-----------------|-------------|
| .71 | 83726-001 |
| .90 | 235824-001 |
| 1.22 | 66094-001 |
| 1.42 | 67264-001 |
| 1.59 | 69129-001 |
| 1.81 | 53840-001 |
| 2.37 | 53841-001 |

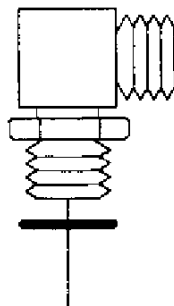
NOTE: SPECIFY LENGTH WHEN ORDERING

TIE STRAPS



| LENGTH | PART NUMBER |
|--------|-------------|
| 4 IN. | 78657-001 |
| 6 IN. | 18355-001 |
| 8 IN. | 59634-001 |
| 15 IN. | 58151-001 |

O-RINGS

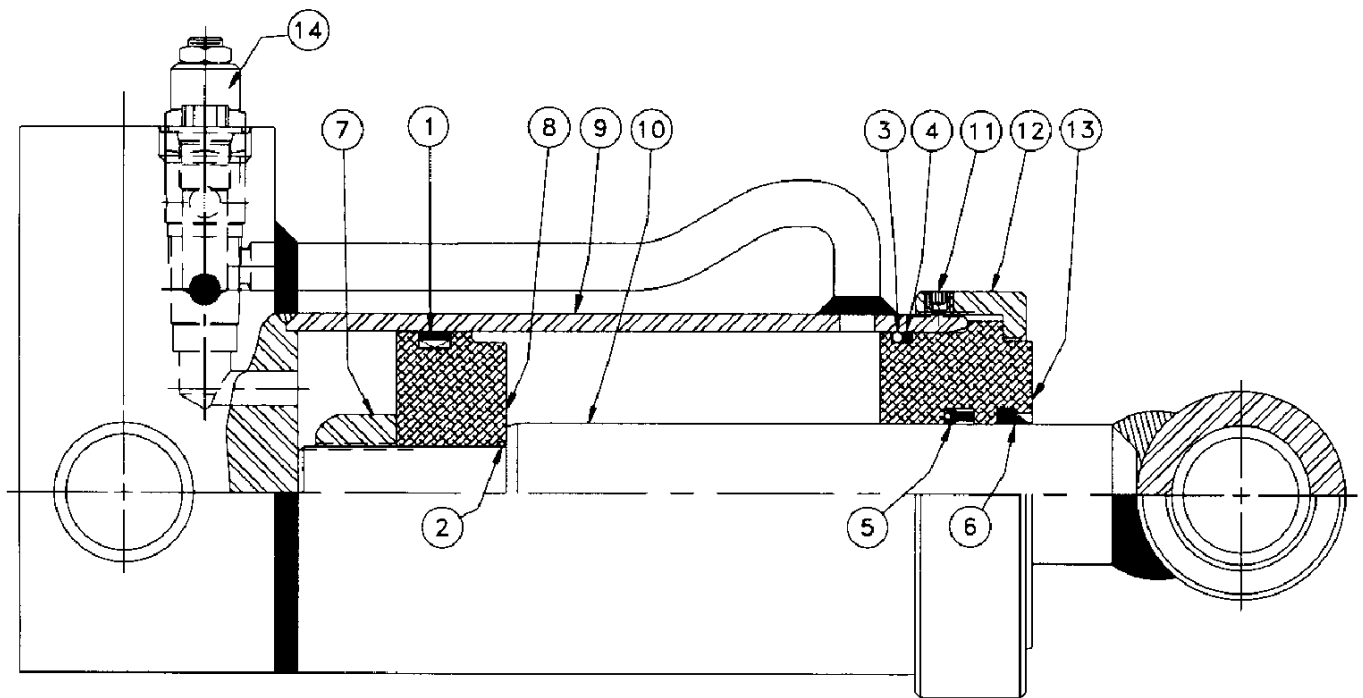


| SAE FITTING SIZE | REPLACEMENT O-RING PART NO. |
|------------------|-----------------------------|
| -4 | 78185-027 |
| -5 | 53649-081 |
| -6 | 59088-057 |
| -8 | 59088-053 |
| -10 | 792-029 |
| -12 | 3152-013 |
| -14 | 3155-015 |
| -16 | 81580-001 |
| -20 | 93316-001 |

Miscellaneous Supplies Fig 2-21r01

| REF. NO. | * | PART NO. | DESCRIPTION | QTY. | REMARKS |
|----------|---|-----------|---|------|---------|
| | | | CORDURA SLEEVES | | |
| | | 83726001 | INSIDE DIAMETER .71 | | |
| | | 235824001 | INSIDE DIAMETER .90 | | |
| | | 66094001 | INSIDE DIAMETER 1.22 | | |
| | | 67264001 | INSIDE DIAMETER 1.42 | | |
| | | 69129001 | INSIDE DIAMETER 1.59 | | |
| | | 53840001 | INSIDE DIAMETER 1.81 | | |
| | | 53841001 | INSIDE DIAMETER 2.37 | | |
| | | | NOTE: SPECIFY LENGTH WHEN ORDERING | | |
| | | | TIE STRAPS | | |
| | | 78657001 | LENGTH 4 IN. | | |
| | | 18355001 | LENGTH 6 IN. | | |
| | | 59634001 | LENGTH 8 IN. | | |
| | | 58151001 | LENGTH 15 IN. | | |
| | | | O-RINGS | | |
| | | 78185027 | SAE FITTING SIZE -4 (REPLACEMENT O-RING) | | |
| | | 53649081 | SAE FITTING SIZE -5 (REPLACEMENT O-RING) | | |
| | | 59088057 | SAE FITTING SIZE -6 (REPLACEMENT O-RING) | | |
| | | 59088053 | SAE FITTING SIZE -8 (REPLACEMENT O-RING) | | |
| | | 792029 | SAE FITTING SIZE -10 (REPLACEMENT O-RING) | | |
| | | 3152013 | SAE FITTING SIZE -12 (REPLACEMENT O-RING) | | |
| | | 3155015 | SAE FITTING SIZE -14 (REPLACEMENT O-RING) | | |
| | | 81580001 | SAE FITTING SIZE -16 (REPLACEMENT O-RING) | | |
| | | 93316001 | SAE FITTING SIZE -20 (REPLACEMENT O-RING) | | |
| | | | NOTE: O-RINGS LISTED ARE 90 DURAMETER | | |

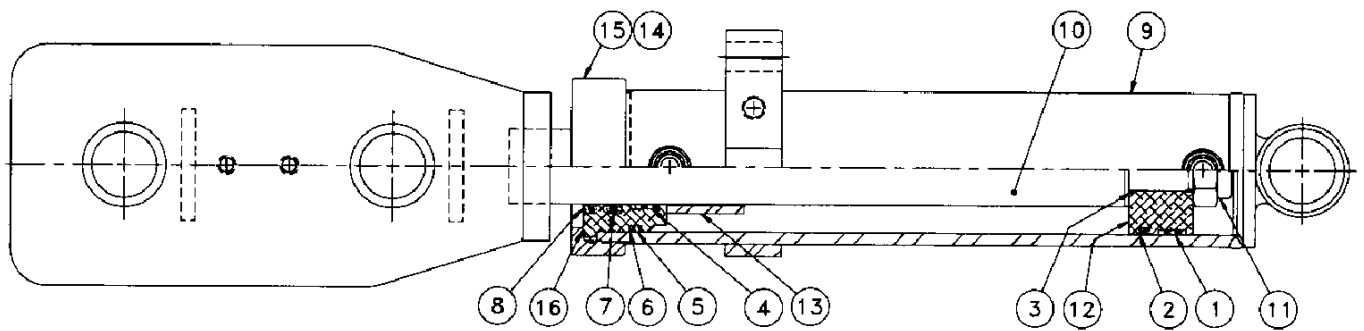
Hyd Cylinder Components - 3 1/2" X 4" Fig 2-22



Hyd Cylinder Components - 3 1/2" X 4" Fig 2-22

| REF. NO. | * | PART NO. | DESCRIPTION | QTY. | REMARKS |
|----------|---|-----------|---------------------|------|-------------------|
| 1 | | 207168001 | UNI-RING | 1 | |
| 2 | | 223842007 | O-RING | 1 | |
| 3 | | 200822001 | O-RING | 1 | |
| 4 | | 200787001 | WASHER-BACKUP | 1 | |
| 5 | | 204315001 | 1 1/2" LOADED U-CUP | 1 | |
| 6 | | 200808001 | WIPER | 1 | |
| 7 | | 218496007 | LOCK NUT | 1 | |
| 8 | | 94464011 | PISTON-CYLINDER | 1 | |
| 9 | | 229414003 | BARREL ASSEMBLY | 1 | |
| 10 | | 229414005 | ROD ASSY | 1 | |
| 11 | | 218496011 | SET SCREW | 1 | |
| 12 | | 200783001 | THREADED CAP | 1 | |
| 13 | | 94464009 | GLAND-CYLINDER | 1 | |
| 14 | | 229414007 | C.B. VALVE | 1 | |
| | | | | | |
| | | 229414001 | CYLINDER-3 1/2 X 4 | | Inc Ref No's 1-14 |
| | | 229414009 | SEAL KIT | | Inc Ref No's 1-6 |

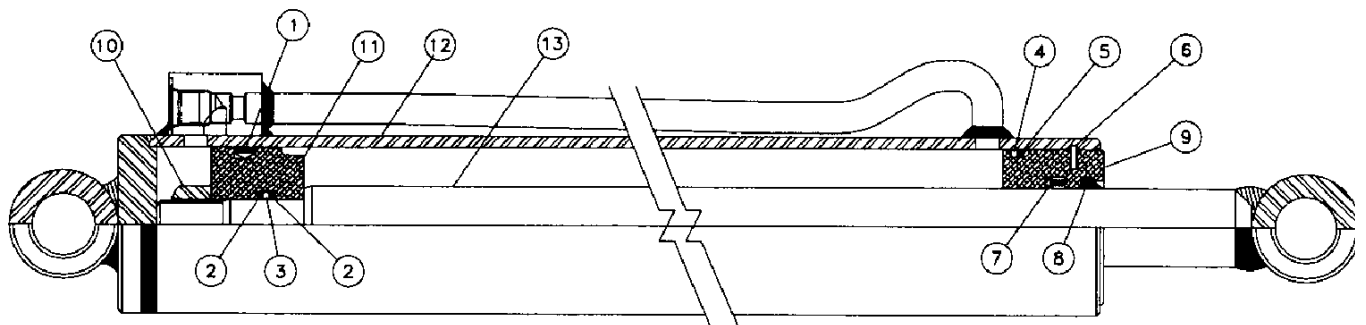
Hyd Cylinder Components - 3 1/2" X 65" Fig 2-23



Hyd Cylinder Components - 3 1/2" X 65" Fig 2-23

| REF. NO. | * | PART NO. | DESCRIPTION | QTY. | REMARKS |
|----------|---|-----------|--------------------------------|------|-------------------|
| 1 | | 98532007 | WEARBAND | 1 | |
| 2 | | 110188011 | T-SEAL | 1 | |
| 3 | | 110188013 | O-RING | 1 | |
| 4 | | 99540011 | WEARBAND | 1 | |
| 5 | | 99541009 | O-RING | 1 | |
| 6 | | 99541011 | BACKUP RING | 1 | |
| 7 | | 229491003 | DEEP Z SEAL W/BACKUP | 1 | |
| 8 | | 99540007 | WIPER-ROD | 1 | |
| 9 | | 229491005 | TUBE WELDMENT | 1 | |
| 10 | | 229491007 | ROD WELDMENT | 1 | |
| 11 | | 140019001 | CYLINDER REPAIR ASSY (LOCKNUT) | 1 | |
| 12 | | 114217007 | PISTON | 1 | |
| 13 | | 229491009 | ROD SPACER | 1 | |
| 14 | | 229491011 | HEAD GLAND CAP | 1 | |
| 15 | | 99859005 | SCREW-LG SET .313-18 X .25 | 1 | |
| 16 | | 215798013 | HEAD GLAND | 1 | |
| | | | | | |
| | | 229491001 | CYLINDER-3 1/2 X 65 | | Inc Ref No's 1-16 |
| | | 229491013 | SEAL KIT | | Inc Ref No's 1-8 |

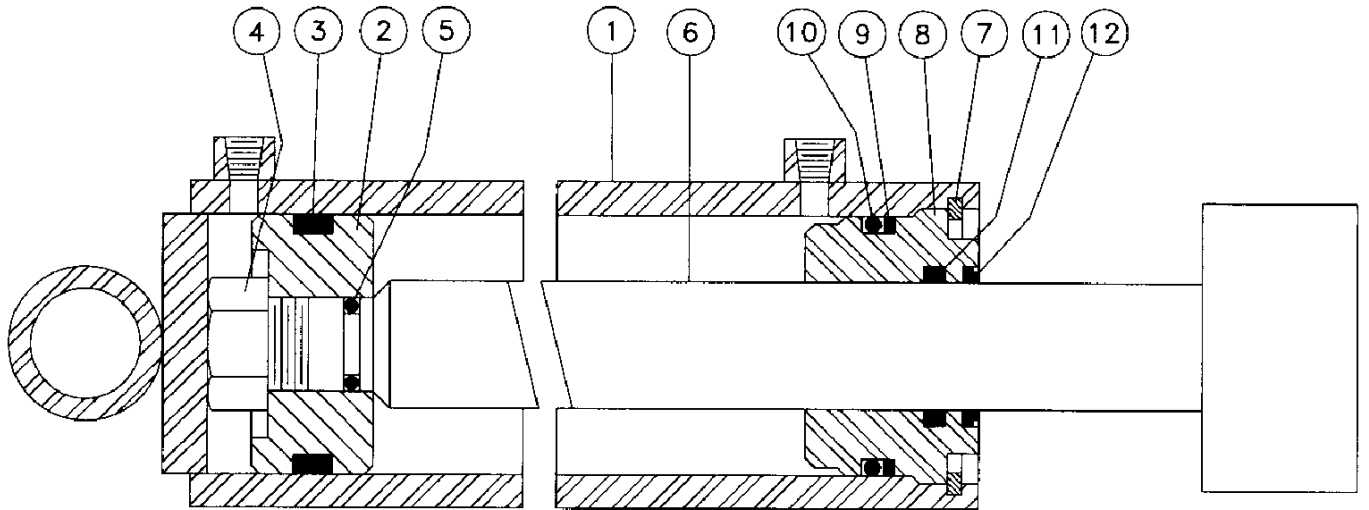
Hyd Cylinder Components - 3 1/2" X 24" Fig 2-24



Hyd Cylinder Components - 3 1/2" X 24" Fig 2-24

| REF. NO. | * | PART NO. | DESCRIPTION | QTY. | REMARKS |
|----------|---|-----------|-----------------------|------|-------------------|
| 1 | | 200769001 | UNI-RING | 1 | |
| 2 | | 206843013 | BACKUP WASHER | 2 | |
| 3 | | 51167001 | O-RING | 1 | |
| 4 | | 51175001 | O-RING | 1 | |
| 5 | | 200841001 | BACKUP WASHER | 1 | |
| 6 | | 602250 | SNAP RING-INT | 1 | |
| 7 | | 205003001 | 1 1/4" LOADED U-CUP | 1 | |
| 8 | | 217237007 | WIPER-ROD | 1 | |
| 9 | | 216773009 | SNAP RING HEAD | 1 | |
| 10 | | 70005 | NUT-3/4 NF SLTL | 1 | |
| 11 | | 217178007 | PISTON | 1 | |
| 12 | | 217178003 | BARREL ASSEMBLY | 1 | |
| 13 | | 217178005 | ROD ASSEMBLY | 1 | |
| | | | | | |
| | | 217178009 | REPAIR KIT-2 1/2" CYL | | Inc Ref No's 1-13 |
| | | 217178001 | CYL-2 1/2X24 | | Inc Ref No's 1-8 |

Hyd Cylinder Components - 3" X 14" Fig 2-25

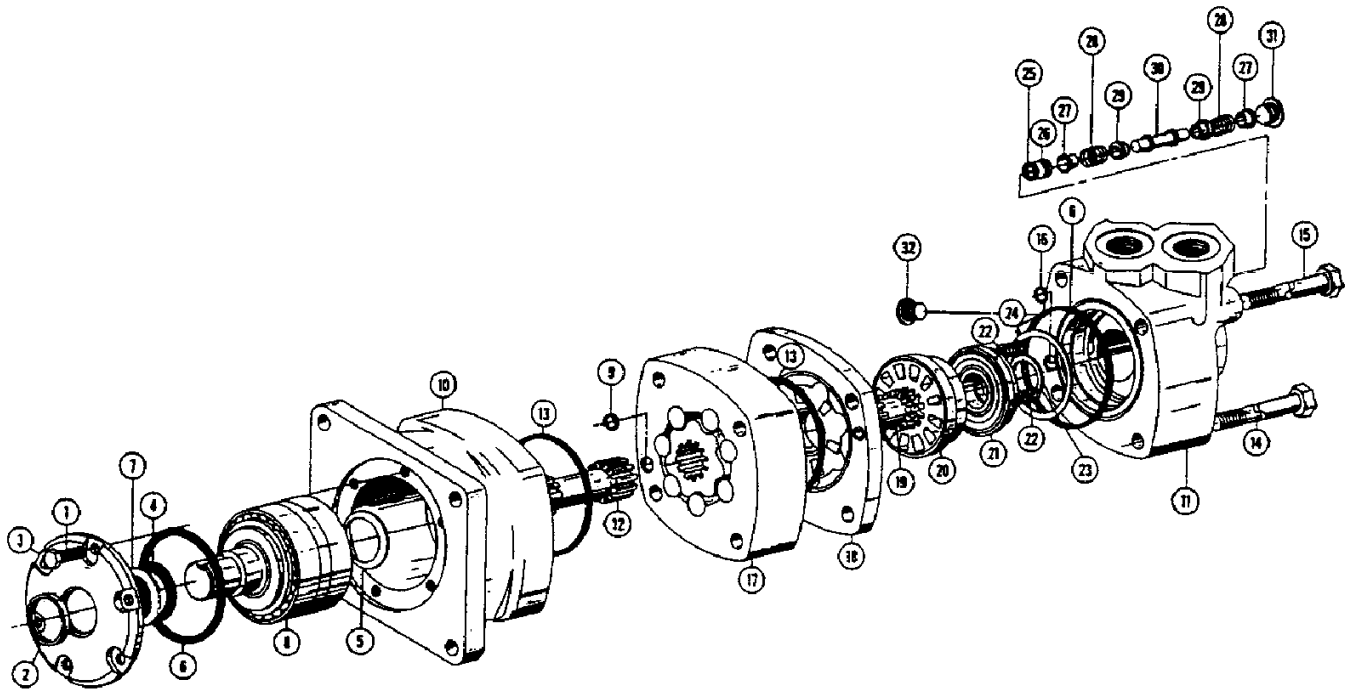


Hyd Cylinder Components - 3" X 14" Fig 2-25

| REF. NO. | * | PART NO. | DESCRIPTION | QTY. | REMARKS |
|----------|---|-----------|-----------------------------|------|-----------------------------|
| 1 | | 68540001 | BODY-CYLINDER | 1 | |
| 2 | | 56091001 | PISTON-CYLINDER | 1 | |
| 3 | | 52704001 | UNI-RING | 1 | |
| 4 | | 5460001 | NUT -1-14 NF GR 8 SLTL | 1 | |
| 5 | | 208007 | O-RING-SPRG CAP | 1 | |
| 6 | | 68544001 | ROD-CYLINDER | 1 | |
| 7 | | 602300 | SNAP RING-N5000-300 (3 IN.) | 1 | |
| 8 | | 58137001 | GLAND-CYLINDER | 1 | |
| 9 | | 52705001 | BACKUP-WASHER | 1 | |
| 10 | | 4433001 | O-RING | 1 | |
| 11 | | 24754001 | ROD SEAL- U-PACK | 1 | |
| 12 | | 24753001 | WIPER | 1 | |
| | | | | | |
| | | 215768001 | CYLINDER-3X14 (COMPLETE) | | |
| | | 56687001 | REPAIR KIT | | Inc Ref No's 3, 5, 7 & 9-12 |

Hyd Motor Components - 29.9 Cu. In. Fig 2-26r01

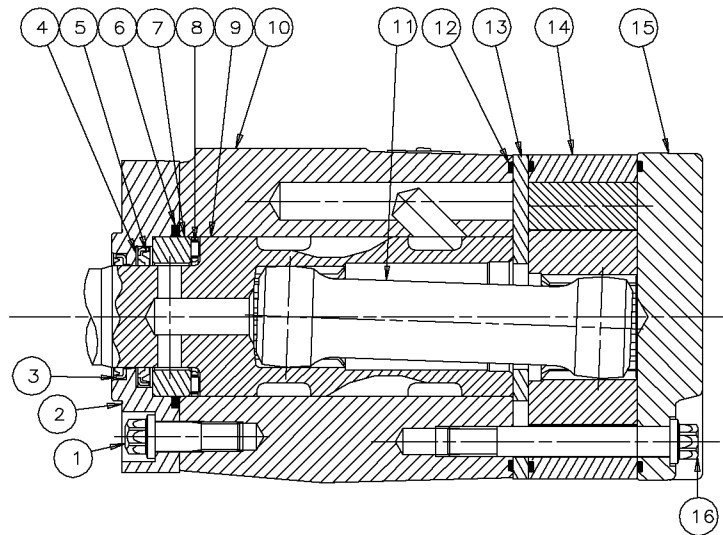
Revised June 1999 due to corrections
in parts list. Changed parts marked with *.



Hyd Motor Components - 29.9 Cu. In. Fig 2-26r01

| REF. NO. | * | PART NO. | DESCRIPTION | QTY. | REMARKS |
|----------|---|---------------|---------------------------------|------|--|
| | | Revision Date | June, 1999 | | |
| 1 | | 776003 | BOLT-RETAINER | 6 | |
| 2 | | 776005 | SEAL DUST | 1 | |
| 3 | | 235642003 | RETAINER-FRONT | 1 | |
| 4 | | 209137005 | SEAL-SHAFT | 1 | |
| 5 | | 235642005 | SEAL-SHAFT FACE | 1 | |
| 6 | | 1757025 | SEAL-O RING | 2 | |
| 7 | | 776009 | WASHER-BACKUP | 1 | |
| 8 | | 235642007 | SHAFT & BEARING KIT | 1 | |
| | | 235642009 | KEY-3/8X3/8X1 5/8 | 1 | Included With Shaft & Bearing Kit |
| | | NSS | SHAFT | 1 | Included With Shaft & Bearing Kit |
| | | NSS | CONE-BEARING | 2 | Included With Shaft & Bearing Kit |
| | | NSS | CUP-BEARING | 2 | Included With Shaft & Bearing Kit |
| | | NSS | SPACER-BEARING | 1 | Included With Shaft & Bearing Kit |
| | | NSS | RETAINER-RING | 1 | Included With Shaft & Bearing Kit |
| 9 | | 53853013 | SEAL-1/4"ID 250001-010 CHARLYN | 2 | |
| 10 | | 235642011 | HOUSING-BEARING | 1 | |
| 11 | | 209137003 | HOUSING-VALVE | 1 | Inc Ref No's 25-31 |
| 12 | * | 213795003 | DRIVE-MAIN | 1 | |
| 13 | | 209137007 | SEAL-3 3/4"ID | 2 | |
| 14 | * | 54409005 | BOLT-6.30" | 2 | |
| 15 | * | 54409007 | BOLT-7.65" | 2 | |
| 16 | | 779025 | SEAL-O RING | 1 | |
| 17 | | NSS | GEROLER ASSY. (1.71" WIDE) | 1 | |
| 18 | | 209137013 | PLATE-VALVE | 1 | |
| 19 | | 4295037 | DRIVE VALVE | 1 | |
| 20 | | 4295039 | VALVE | 1 | |
| 21 | | 209137015 | BALANCE PLATE ASSEMBLY | 1 | |
| 22 | | 776041 | SPRING | 3 | |
| 23 | | 776043 | SEAL-FACE INNER | 1 | |
| 24 | | 776045 | SEAL-FACE OUTER | 1 | |
| 25 | | 235642013 | SEAL-O RING | 1 | |
| 26 | | 235642015 | PLUG | 1 | Inc Ref No 25 |
| 27 | | 209137019 | SLEEVE-DASH POT | 2 | |
| 28 | | 209137021 | SPRING | 2 | |
| 29 | | 209137023 | POPPET | 2 | |
| 30 | | 209137025 | PISTON | 1 | |
| 31 | | 235642017 | PLUG ASSEMBLY | 1 | Include O-Ring |
| 32 | | 209137029 | PLUG ASSEMBLY | 1 | Include O-Ring |
| | | | | | |
| | * | 235642001 | MOTOR-29.9 CU IN 6000 SER HYD | | Breakdown Fig |
| | | 209137031 | REPAIR KIT | | Inc Ref No's 2-7, 9, 13, 16 & 23-25 |
| | | NSS | Not Sold Separately | | |
| | | Note: | When Ordering Replacement Parts | | Include Product No 112-1128-005 With The Order |

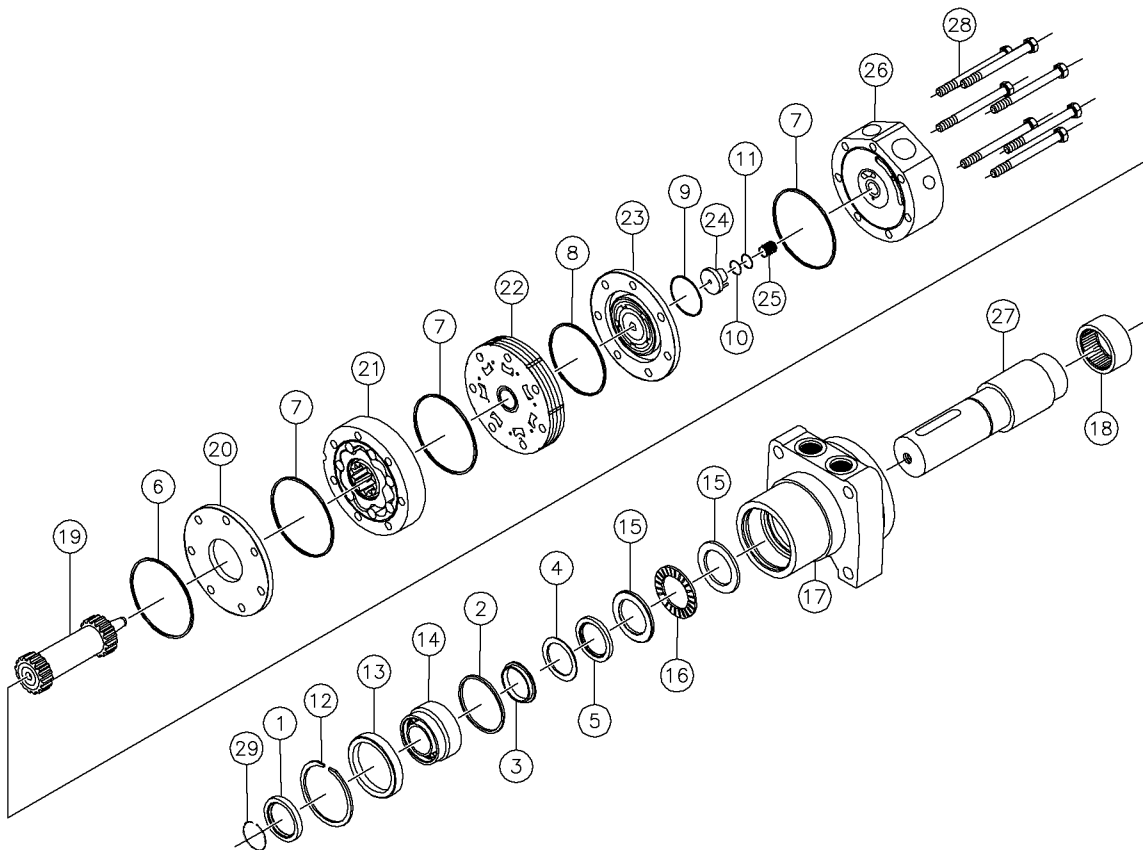
Hyd Motor Components - Water Pump (S/N 101-779) Fig 2-27r01



Hyd Motor Components - Water Pump (S/N 101-779) Fig 2-27r01

| REF. NO. | * | PART NO. | DESCRIPTION | QTY. | REMARKS |
|----------|---|---------------|-----------------------------|------|-----------------------|
| | | Revision Date | October, 2000 | | |
| 1 | | 219177003 | SCREW-CAP 5/16"-24 X 7/8 | 4 | |
| 2 | | 236118003 | FLANGE-2 BLT MOUNTING | 1 | |
| 3 | | 751003 | SEAL-DUST | 1 | |
| 4 | | 79530009 | WASHER-BACK UP | 1 | |
| 5 | | 79530005 | SEAL-PRESSURE | 1 | |
| 6 | | 6284003 | SEAL | 1 | |
| 7 | | 751009 | RACE-BEARING | 1 | |
| 8 | | 751011 | BEARING-THRUST NEEDLE | 1 | |
| 9 | | 764007 | SHAFT-OUTPUT | 1 | |
| 10 | | 236118005 | HOUSING-7/8-14 ORING PORTS | 1 | |
| 11 | | 1749033 | DRIVE | 1 | |
| 12 | | 219177011 | SEAL | 1 | |
| 13 | | 215890009 | SPACER-PLATE | 1 | |
| 14 | | NSS | GEROLER SUB ASSEMBLY | 1 | |
| 15 | | 251578003 | END CAP | 1 | |
| 16 | | 251578005 | SCREW - CAP | 7 | |
| | | | | | |
| | | 251578001 | MOTOR - HYDRAULIC 2.2 CU IN | | |
| | | 219177015 | SEAL KIT | | Inc Ref No's 3-6 & 12 |

Hyd Motor Components - 46 Cu. In. Fig 2-28r01

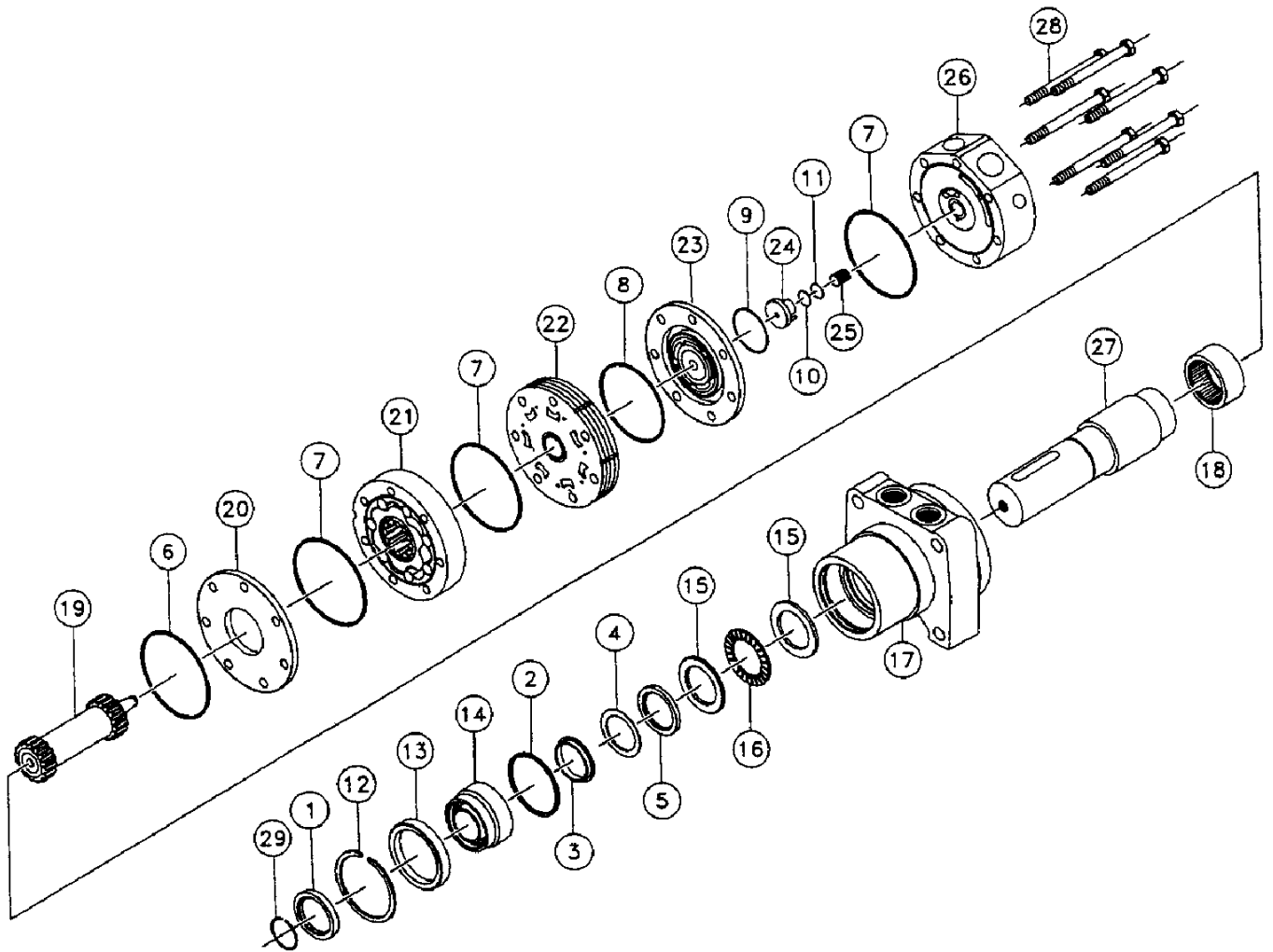


Hyd Motor Components - 46 Cu. In. Fig 2-28r01

| REF. NO. | * | PART NO. | DESCRIPTION | QTY. | REMARKS |
|----------|---|---------------|--|------|------------------------------|
| | | Revision Date | August, 1999 | | |
| 1 | | NSS | SEAL-DUST | 1 | |
| 2 | | NSS | SEAL-HIGH PRESSURE | 1 | |
| 3 | | NSS | SHIM-METAL BACKUP | 1 | |
| 4 | | NSS | SEAL-TEFLON BACKUP | 1 | |
| 5 | | NSS | SEAL-SHAFT | 1 | |
| 6 | | NSS | SEAL-HOUSING | 1 | |
| 7 | | NSS | SEAL-BODY | 3 | |
| 8 | | NSS | SEAL-MANIFOLD | 1 | |
| 9 | | NSS | SEAL-COMMUTATOR | 1 | |
| 10 | | NSS | SEAL-O-RING | 1 | |
| 11 | | NSS | SEAL-TEFLON BACKUP | 1 | |
| 12 | | 240349005 | SNAP RING | 1 | |
| 13 | | 240349007 | SPACER-BEARING | 1 | |
| 14 | | 240349009 | BEARING-1.5 | 1 | |
| 15 | | 240349011 | WASHER-THRUST | 2 | |
| 16 | | 240349013 | BEARING-THRUST | 1 | |
| 17 | | 240349015 | HOUSING | 1 | Inc Ref No 18 |
| 18 | | 240349017 | BEARING-REAR HOUSING | 1 | |
| 19 | | 240349019 | DRIVE-LINK | 1 | |
| 20 | | 240349021 | PLATE-DIVIDER | 1 | |
| 21 | | 240349023 | ROTARY ASSEMBLY | 1 | |
| 22 | | 240349025 | MANIFOLD | 1 | |
| 23 | | 236219031 | COMMUTATOR ASSEMBLY | 1 | |
| 24 | | 236219033 | PISTON-ENDCOVER | 1 | |
| 25 | | 236219035 | SPRING-PISTON | 1 | |
| 26 | | 236219037 | ENDCOVER | 1 | Inc Ref No's 10, 11, 24 & 25 |
| 27 | | 240349029 | SHAFT | 1 | Inc Ref No 29 |
| 28 | | 240349027 | BOLTS ASSEMBLY (7) | 1 | |
| 29 | | 240349031 | RING-WIRE | 1 | |
| | | | | | |
| | | 240349001 | MOTOR-46 CU IN HYD | | Includes All Items In Figure |
| | * | 282093001 | MOTOR-46 CU IN HYD | | Includes All Items In Figure |
| | | 240349003 | SEAL KIT | | Inc Ref No's 1-11 |
| | | | | | |
| | * | Note: | The Only Difference Between The Two Motors In This Figure Is The Placement Rotation Of The End Cap Inc Ref No 26 | | |

Hyd Motor Components - 56 Cu. In. Fig 2-29r01

Revised August 1999 due to update
in parts list. Added part & note marked
with *.

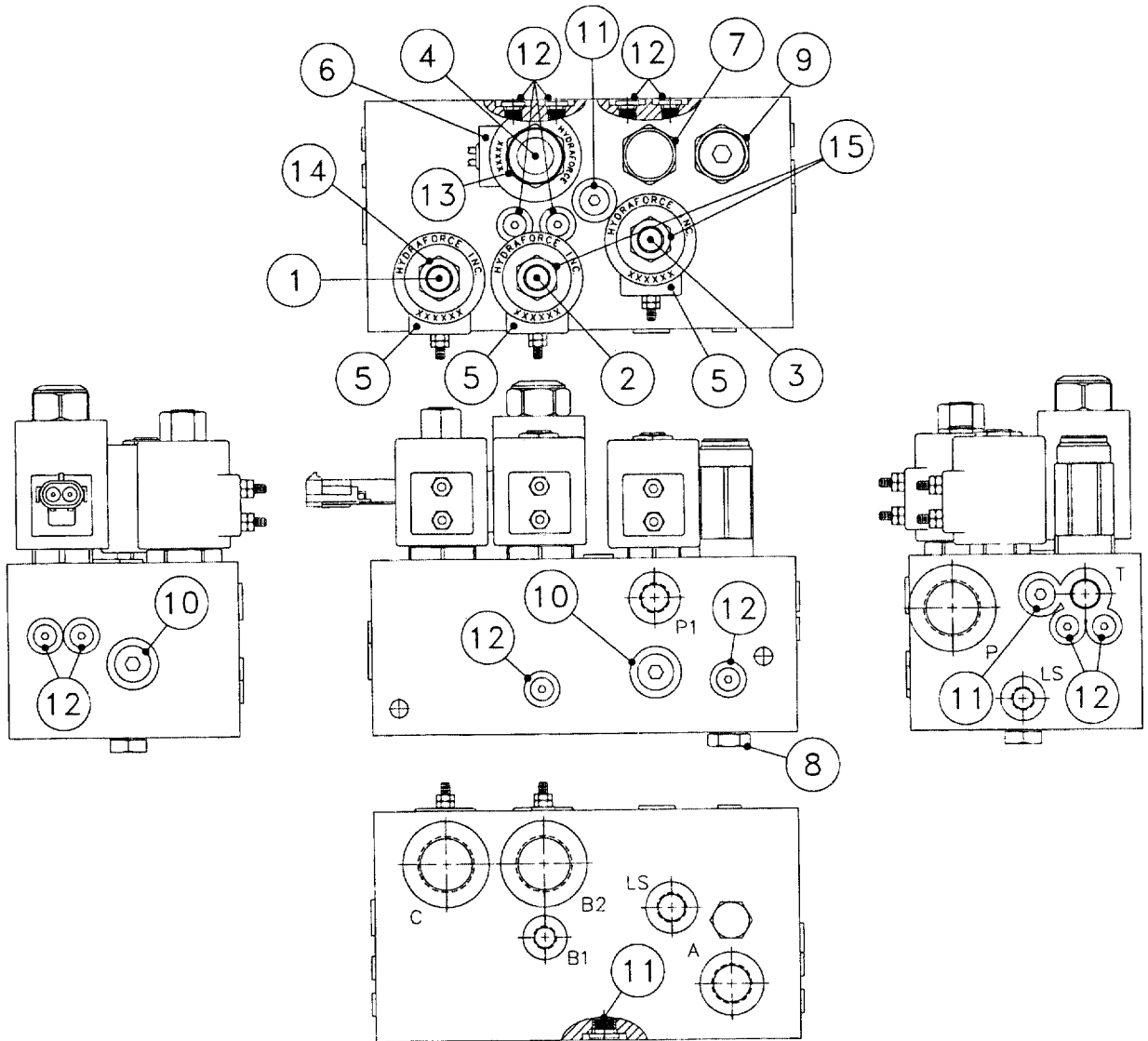


Hyd Motor Components - 56 Cu. In. Fig 2-29r01

| REF. NO. | * | PART NO. | DESCRIPTION | QTY. | REMARKS |
|----------|---|---------------|---|------|------------------------------|
| | | Revision Date | August, 1999 | | |
| 1 | | NSS | SEAL-DUST | 1 | |
| 2 | | NSS | SEAL-HIGH PRESSURE | 1 | |
| 3 | | NSS | SHIM-METAL BACKUP | 1 | |
| 4 | | NSS | SEAL-TEFLON BACKUP | 1 | |
| 5 | | NSS | SEAL-SHAFT | 1 | |
| 6 | | NSS | SEAL-HOUSING | 1 | |
| 7 | | NSS | SEAL-BODY | 3 | |
| 8 | | NSS | SEAL-MANIFOLD | 1 | |
| 9 | | NSS | SEAL-COMMUTATOR | 1 | |
| 10 | | NSS | SEAL-O-RING | 1 | |
| 11 | | NSS | SEAL-TEFLON BACKUP | 1 | |
| 12 | | 240349005 | SNAP RING | 1 | |
| 13 | | 240349007 | SPACER-BEARING | 1 | |
| 14 | | 240349009 | BEARING-1.5 | 1 | |
| 15 | | 240349011 | WASHER-THRUST | 2 | |
| 16 | | 240349013 | BEARING-THRUST | 1 | |
| 17 | | 240349015 | HOUSING | 1 | Inc Ref No 18 |
| 18 | | 240349017 | BEARING-REAR HOUSING | 1 | |
| 19 | | 275057003 | DRIVE LINK | 1 | |
| 20 | | 240349021 | PLATE-DIVIDER | 1 | |
| 21 | | 275057005 | ROTOR ASSEMBLY | 1 | |
| 22 | | 240349025 | MANIFOLD | 1 | |
| 23 | | 236219031 | COMMUTATOR ASSEMBLY | 1 | |
| 24 | | 236219033 | PISTON-ENDCOVER | 1 | |
| 25 | | 236219035 | SPRING-PISTON | 1 | |
| 26 | | 236219037 | ENDCOVER | 1 | Inc Ref No's 10, 11, 24 & 25 |
| 27 | | 240349029 | SHAFT | 1 | Inc Ref No 29 |
| 28 | | 275057007 | BOLTS ASSEMBLY (7) | 1 | |
| 29 | | 240349031 | RING-WIRE | 1 | |
| | | | | | |
| | | 275057001 | MOTOR -56 CU IN HYDRAULIC | | Includes All Items In Figure |
| | * | 282092001 | MOTOR-56 CU IN HYD | | Includes All Items In Figure |
| | | 240349003 | SEAL KIT (INC. REF. 1-11) | | |
| | | NSS | NOT SOLD SEPARATELY | | |
| | * | Note: | The Only Difference Between The Two Motors In This Figure Is The Placement (Rotation) Of The End Cap Ref No 26. | | |

Valve Components - Proportional/Dump (S/N 101-385, 387-641) Fig 2-30r03

Revised January 2000 due to update in heading.

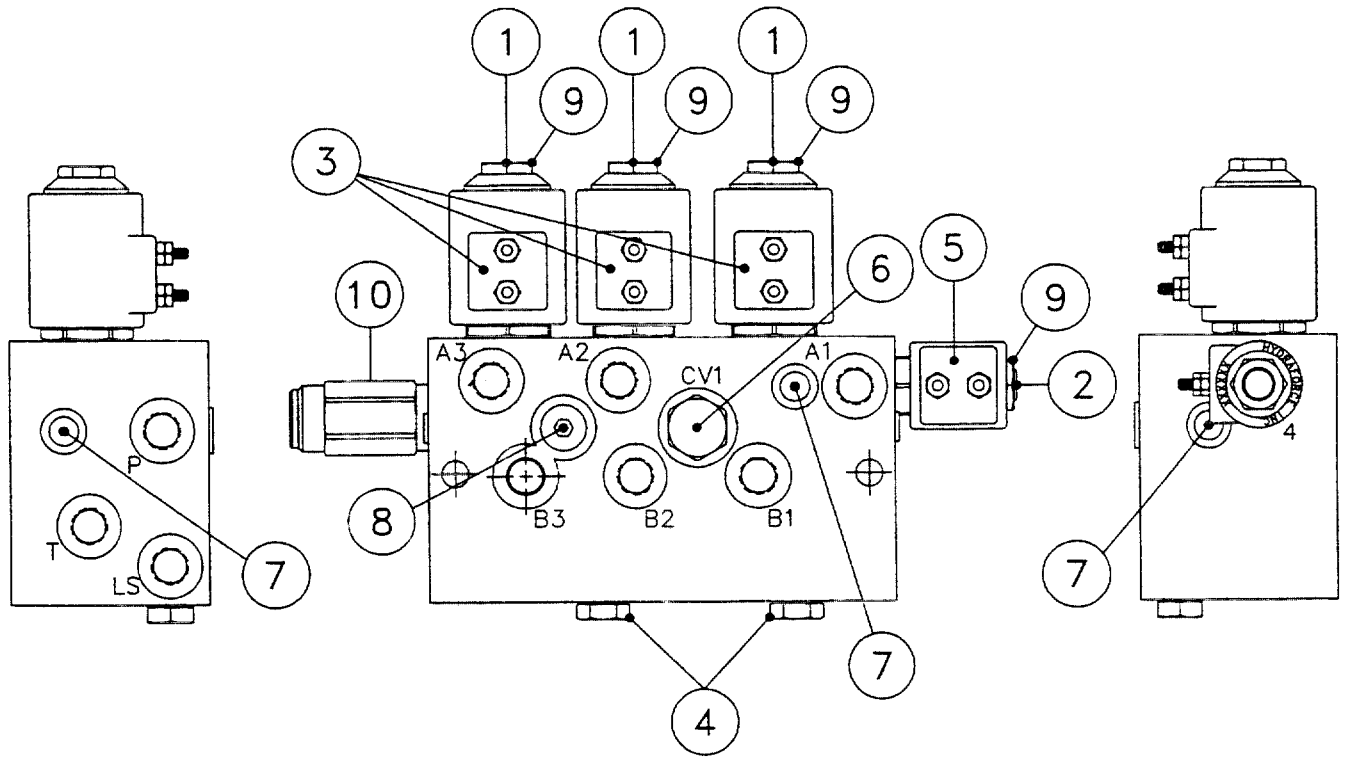


Valve Components - Proportional/Dump (S/N 101-385, 387-641) Fig 2-30r03

| REF. NO. | * | PART NO. | DESCRIPTION | QTY. | REMARKS |
|----------|---|---------------|-------------------------|------|------------------------------|
| | | Revision Date | January, 2000 | | |
| 1 | | 240324003 | SEAL KIT | 1 | |
| | | 904525001 | VALVE-DUMP | 1 | Inc Seal Kit & Nut Ref No 14 |
| 2 | | 904525007 | POPPET-N/C | 1 | Inc Seal Kit & Nut Ref No 15 |
| | | 240324003 | SEAL KIT | 1 | |
| 3 | | 218499005 | CARTRIDGE-SOLENOID | 1 | Inc Seal Kit & Nut Ref No 15 |
| | | 240324005 | SEAL KIT | 1 | |
| 4 | | 240324007 | VALVE-PRESSURE REDUCING | 1 | Inc Seal Kit & Nut Ref No 13 |
| | | 235500005 | SEAL KIT | 1 | |
| 5 | | 904525003 | COIL-12V | 3 | |
| 6 | | 228096003 | COIL | 1 | |
| 7 | | 235500007 | PRESSURE COMPENSATOR | 1 | |
| 7 | | 235500009 | SEAL KIT | 1 | |
| 8 | | 228128013 | SENSE CHECK | 1 | |
| 8 | | 228128015 | SEAL KIT | 1 | |
| 9 | | 236316005 | SEAL KIT | 1 | |
| 10 | | 500659021 | SAE PLUG | 2 | |
| 10 | | 228128015 | SEAL KIT | 2 | |
| 11 | | 240324011 | PLUG-SAE | 3 | |
| 11 | | 240324013 | SEAL KIT | 3 | |
| 12 | | 240324015 | PLUG-SAE | 12 | |
| 12 | | 240324017 | SEAL KIT | 12 | |
| 13 | | 240324019 | NUT-COIL | 1 | |
| 14 | | 904525013 | NUT-COIL (LONG) | 1 | |
| 15 | | 224886007 | NUT | 2 | |
| | | | | | |
| | | 251609001 | VALVE PROPORTIONAL | | Includes All Items In Figure |

Solenoid Valve Components (S/N 101-385, 387-461) Fig 2-31r01

Revised January 2000 due to update in heading.

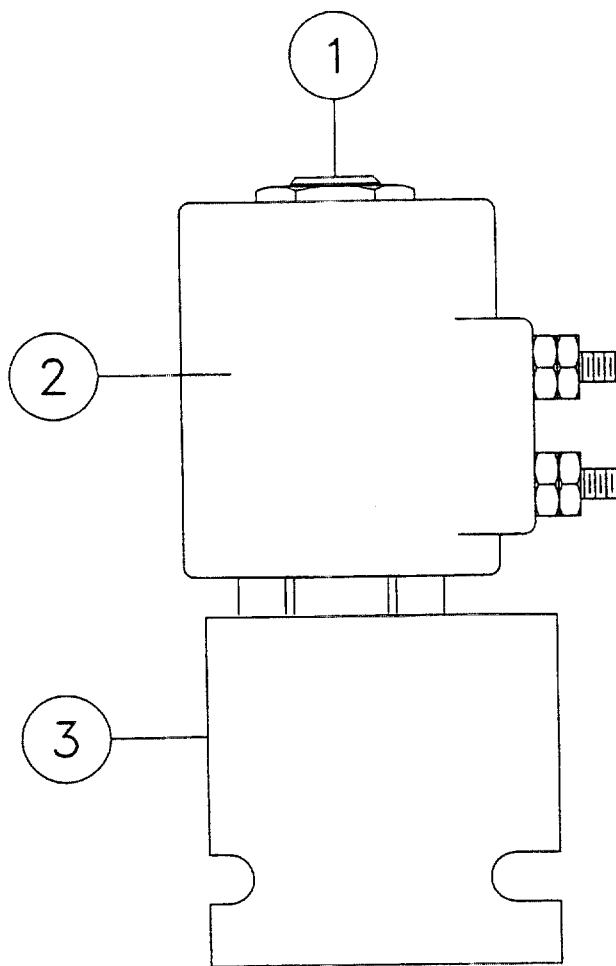


Solenoid Valve Components (S/N 101-385, 387-461) Fig 2-31r01

| REF. NO. | * | PART NO. | DESCRIPTION | QTY. | REMARKS |
|----------|---|---------------|------------------------|------|--------------------------|
| | | Revision Date | January, 2000 | | |
| 1 | | 228128003 | CARTRIDGE-SOLENOID | 3 | Inc Seal Kit & Nut Ref 9 |
| | | 206271007 | REPAIR KIT | 3 | |
| 2 | | 228128005 | CARTRIDGE-SOLENOID | 1 | Inc Seal Kit & Nut Ref 9 |
| | | 228128009 | SEAL KIT | 1 | |
| 3 | | 240983001 | COIL-10 DV 12 VDC | 3 | |
| 4 | | 228128013 | SENSE CHECK | 2 | |
| | | 228128015 | SEAL KIT | 2 | |
| 5 | | 240941003 | COIL | 1 | |
| 6 | | 500659003 | VALVE-CHECK, CARTRIDGE | 1 | |
| | | 228128009 | SEAL KIT | 1 | |
| 7 | | 240324015 | PLUG-SAE | 7 | |
| | | 240324017 | SEAL KIT | 7 | |
| 8 | | 240324011 | PLUG-SAE | 1 | |
| | | 240326003 | PLUG-ORIFICE | 1 | |
| | | 240324013 | SEAL KIT | 1 | |
| 9 | | 224886007 | NUT | 4 | |
| 10 | | 246414003 | VALVE-SEQUENCE | 1 | |
| | | 246414005 | SEAL KIT | 1 | |

2-Way Solenoid Valve Components (S/N 101-385, 387-461) Fig 2-32r01

Revised January 2000 due to update in heading.

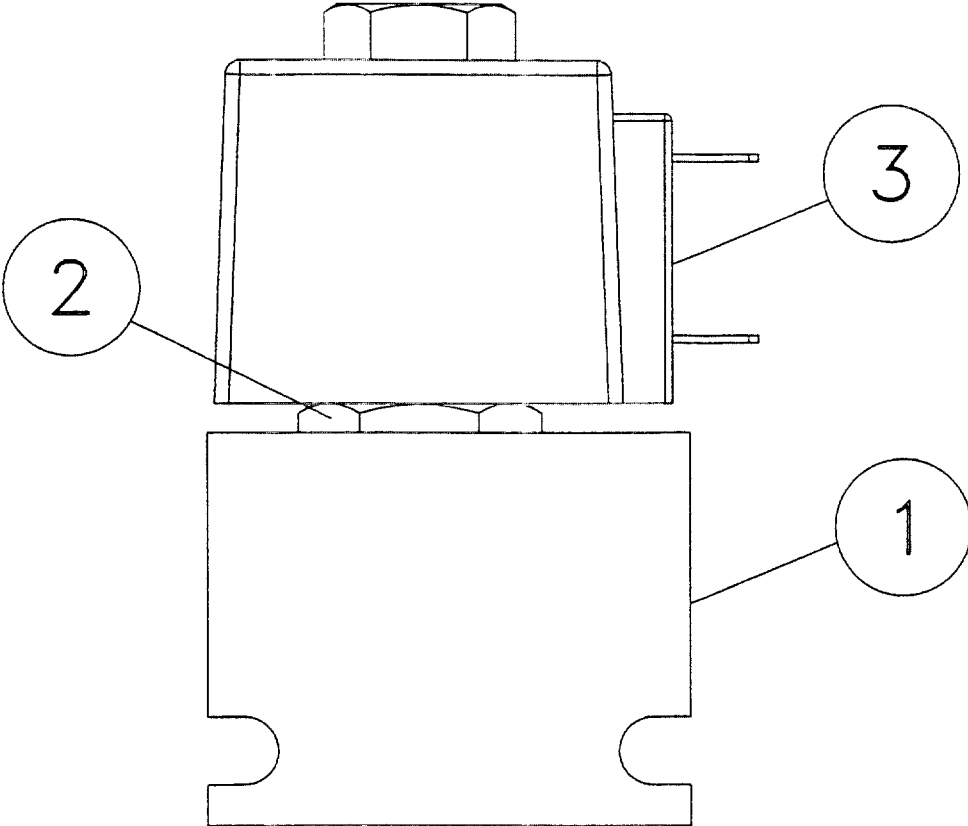


2-Way Solenoid Valve Components (S/N 101-385, 387-461) Fig 2-32r01

| REF. NO. | * | PART NO. | DESCRIPTION | QTY. | REMARKS |
|----------|---|---------------|----------------------|------|---------|
| | | Revision Date | January, 2000 | | |
| 1 | | 218499005 | CARTRIDGE-SOLENOID | 1 | |
| | | 240324005 | SEAL KIT | 1 | |
| 2 | | 240983001 | COIL-10 DV 12 VDC | 1 | |
| 3 | | 251574003 | BODY-VALVE | 1 | |
| | | | | | |
| | | 251574001 | VALVE-SOLENOID 2-WAY | | |

2-Way Nc Solenoid Valve Components (S/N 101-385, 387-461) Fig 2-33r01

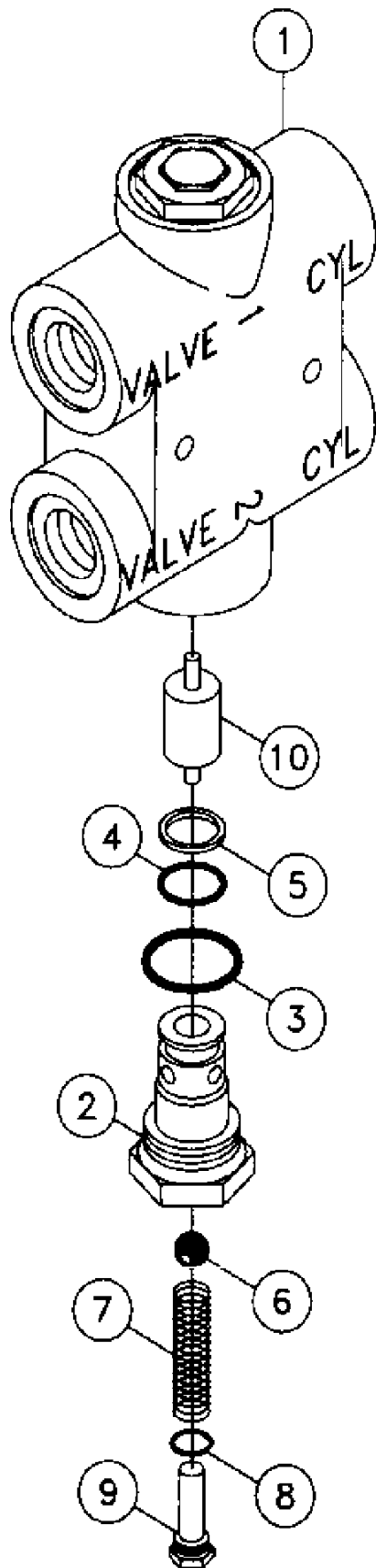
Revised January 2000 due to update in heading.



2-Way Nc Solenoid Valve Components (S/N 101-385, 387-461) Fig 2-33r01

| REF. NO. | * | PART NO. | DESCRIPTION | QTY. | REMARKS |
|----------|---|---------------|-------------------------|------|------------------------------|
| | | Revision Date | January, 2000 | | |
| 1 | | 248106003 | MANIFOLD | 1 | |
| 2 | | 248106005 | STEM-SOLENOID | 1 | |
| 2 | | 248106007 | SEAL KIT | 1 | |
| 3 | | 248106009 | COIL | 1 | |
| | | | | | |
| | | 248106001 | VALVE-2 WAY NC SOLENOID | | Includes All Items In Figure |

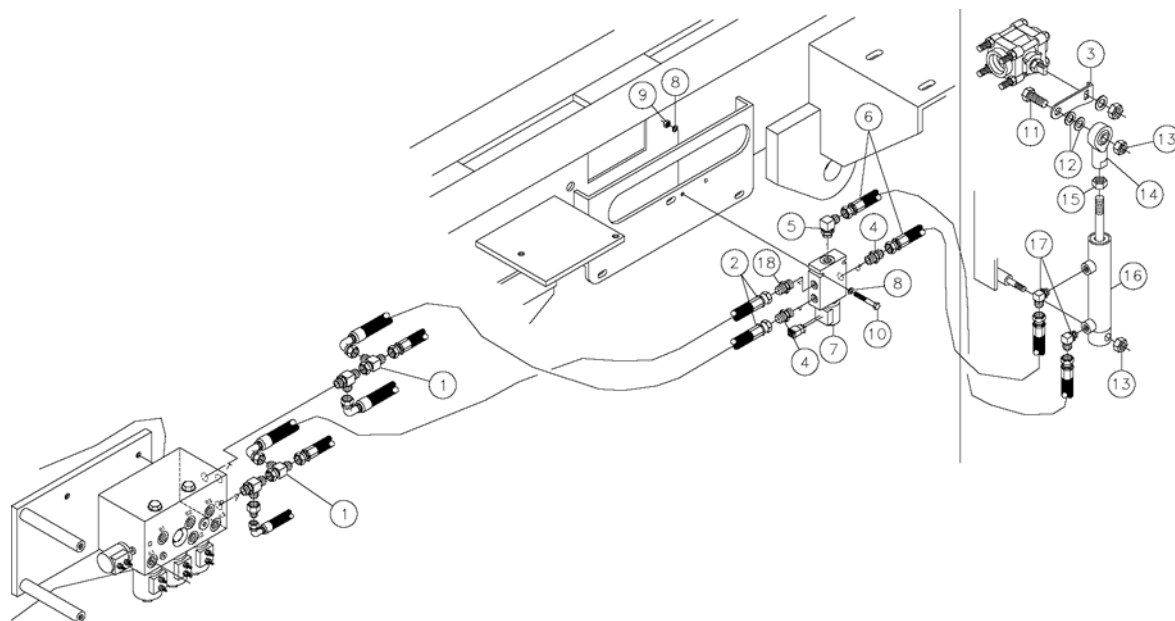
Lock Valve Components Fig 2-34



Lock Valve Components Fig 2-34

| REF. NO. | * | PART NO. | DESCRIPTION | QTY. | REMARKS |
|----------|---|-----------|--------------------|------|------------------------------|
| 1 | | NSS | BODY | 1 | |
| 2 | | 900605005 | BODY-LOCKOUT CHECK | 2 | |
| 3 | | 608266001 | O-RING SEAL | 2 | |
| 4 | | 4608001 | O-RING | 2 | |
| 5 | | 51127001 | BACK-UP WASHER | 2 | |
| 6 | | 208023 | BALL | 2 | |
| 7 | | 3175023 | SPRING | 2 | |
| 8 | | 208027 | SEAL-O-RING | 2 | |
| 9 | | 3175013 | CAP-BODY | 2 | |
| 10 | | 21274005 | PISTON-DOUBLE | 1 | |
| | | | | | |
| | | 275120001 | VALVE - LO10D LOCK | | Includes All Items In Figure |
| | | 3175003 | PILOT CHECK-CP LO | | Inc Ref No's 2-9 |
| | | 3175005 | REPAIR KIT-CP LO | | Inc Ref No's 3-5 & 8 |

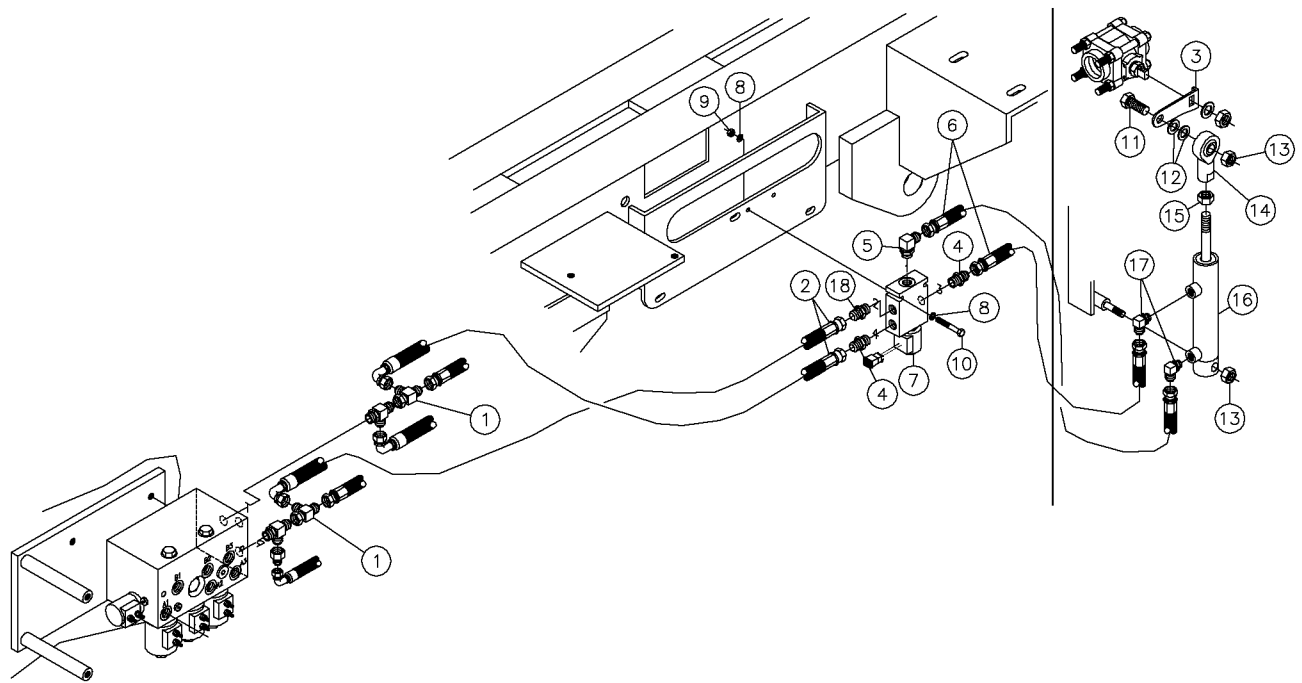
Water Pump On/Off Cylinder Fig 2-35r04



Water Pump On/Off Cylinder Fig 2-35r04

| REF. NO. | * | PART NO. | DESCRIPTION | QTY. | REMARKS |
|----------|---|---------------|---------------------------------|------|--|
| | | Revision Date | October, 2005 | | Update In Illus.& Parts List. |
| 1 | | 59427001 | TEE-6M JIC BCH 6FS JIC X 6M JIC | 2 | |
| 2 | | 278028001 | HOSE-3/8X65 6FSJIC ST/90 4000 | 2 | |
| 3 | | 278002001 | ARM-LEVER | 1 | |
| 4 | | 65565001 | FITTING-6M X 6M JIC ST. | 2 | |
| 5 | | 59426001 | FITTING-6M JICX6M ADJ 90 ELBOW | 1 | |
| 6 | * | 57940585 | HOSE-3/8X65-6FSj-ST/ST-3000PSI | 2 | PN Change |
| 7 | | 244725001 | VALVE-2 POS 4 WAY | 1 | S/N 101-385, 387-461, Breakdown Fig 2-36 |
| | | 282525001 | VALVE-2 POST 4 WAY | 1 | S/N 386, 462-, Breakdown Fig 2-46 |
| 8 | | 235716001 | WASHER-1/4 SAE HARD ZINC PLTD | 4 | |
| 9 | | 235732001 | NUT-1/4-20 GR8 ZINC PLTD | 2 | |
| 10 | | 248107001 | BOLT-1/4-20X1 3/4 GR 8 ZINC PL | 2 | |
| 11 | | 240334001 | BOLT-1/2-13X1 3/4 GR8 ZINC PLT | 1 | |
| 12 | | 485025 | WASHER-1/2 FLAT-HARDENED-ZINC | 2 | |
| 13 | | 75382001 | NUT-1/2-UNC GRADE 8 SLTL | 2 | |
| 14 | | 224291001 | BALL JOINT-1/2-20 FEMALE THDS. | 1 | |
| 15 | | 451001 | NUT-1/2 N.F. HEX | 1 | |
| 16 | | 287591001 | CYLINDER - 1 X 3-1/2 | 1 | Breakdown Fig 2-37 |
| 17 | | 60906001 | 4M6M JIC 90 DEG ELBOW | 2 | |
| 18 | | 600087001 | FIT-6MO-RINGX6MJIC ST. W/R.062 | 1 | |

Water Pump On/Off Cylinder Fig 2-35r03

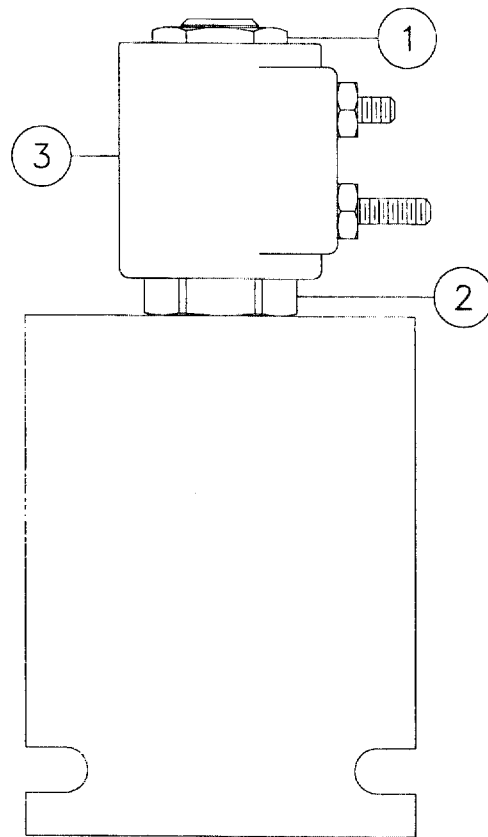


Water Pump On/Off Cylinder Fig 2-35r03

| REF. NO. | * | PART NO. | DESCRIPTION | QTY. | REMARKS |
|----------|---|---------------|---------------------------------|------|--|
| | | Revision Date | July, 2002 | | Update In Parts List. |
| 1 | | 59427001 | TEE-6M JIC BCH 6FS JIC X 6M JIC | 2 | |
| 2 | | 278028001 | HOSE-3/8X65 6FSJIC ST/90 4000 | 2 | |
| 3 | | 278002001 | ARM-LEVER | 1 | |
| 4 | | 65565001 | FITTING-6M X 6M JIC ST. | 2 | |
| 5 | | 59426001 | FITTING-6M JICX6M ADJ 90 ELBOW | 1 | |
| 6 | * | 57940169 | HOSE-3/8X70 6FS JIC (100R2) | 2 | |
| 7 | | 244725001 | VALVE-2 POS 4 WAY | 1 | S/N 101-385, 387-461, Breakdown Fig 2-36 |
| | | 282525001 | VALVE-2 POST 4 WAY | 1 | S/N 386, 462-, Breakdown Fig 2-46 |
| 8 | | 235716001 | WASHER-1/4 SAE HARD ZINC PLTD | 4 | |
| 9 | | 235732001 | NUT-1/4-20 GR8 ZINC PLTD | 2 | |
| 10 | | 248107001 | BOLT-1/4-20X1 3/4 GR 8 ZINC PL | 2 | |
| 11 | | 240334001 | BOLT-1/2-13X1 3/4 GR8 ZINC PLT | 1 | |
| 12 | | 485025 | WASHER-1/2 FLAT-HARDENED-ZINC | 2 | |
| 13 | | 75382001 | NUT-1/2-UNC GRADE 8 SLTL | 2 | |
| 14 | | 224291001 | BALL JOINT-1/2-20 FEMALE THDS. | 1 | |
| 15 | | 451001 | NUT-1/2 N.F. HEX | 1 | |
| 16 | * | 287591001 | CYLINDER - 1 X 3-1/2 | 1 | Breakdown Fig 2-37 |
| 17 | | 60906001 | 4M6M JIC 90 DEG ELBOW | 2 | |
| 18 | | 600087001 | FIT-6MO-RINGX6MJIC ST. W/R.062 | 1 | |

Valve Components - 2 Pos 4 Way (S/N 101-385, 387-461) Fig 2-36r01

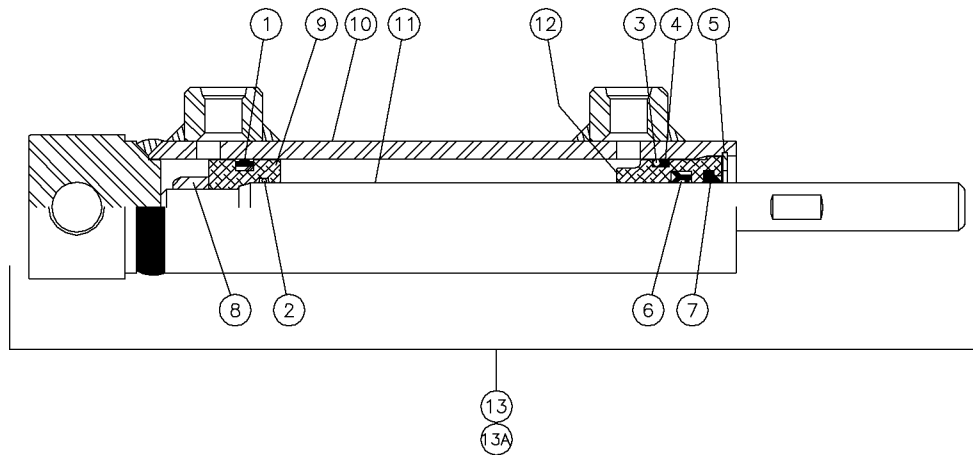
Revised January 2000 due to update in heading.



Valve Components - 2 Pos 4 Way (S/N 101-385, 387-461) Fig 2-36r01

| REF. NO. | * | PART NO. | DESCRIPTION | QTY. | REMARKS |
|----------|---|---------------|-------------------|------|------------------------------|
| | | Revision Date | January, 2000 | | |
| 1 | | 244725007 | NUT-COIL | 1 | |
| 2 | | 234863005 | CARTRIDGE | 1 | Inc Nut & Seal Kit |
| 2 | | 236409003 | SEAL KIT | 1 | |
| 3 | | 240941003 | COIL | 1 | |
| | | | | | |
| | | 244725001 | VALVE-2 POS 4 WAY | | Includes All Items In Figure |

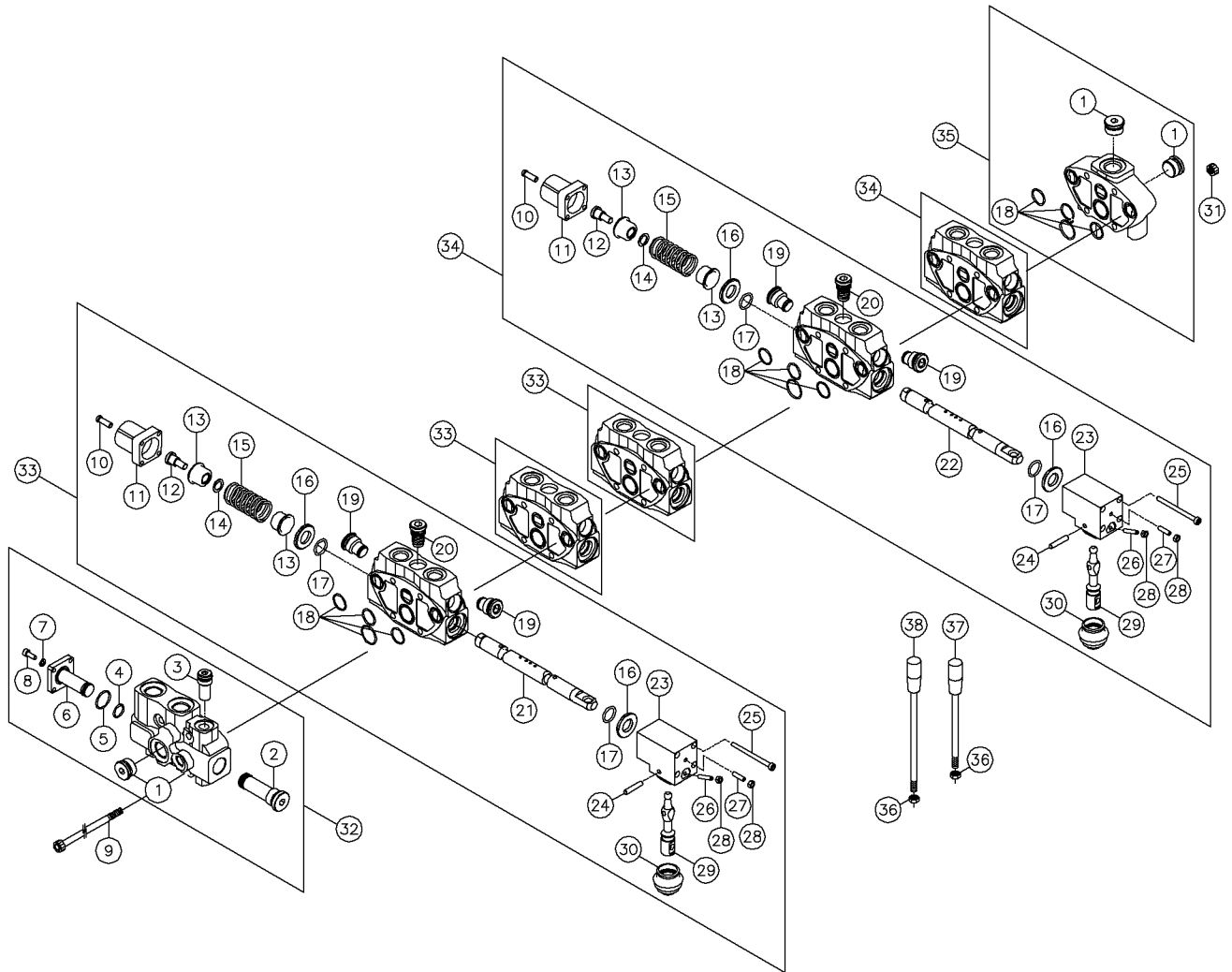
Hyd Cylinder Components - 1" X 3 1/2" Fig 2-37r01



Hyd Cylinder Components - 1" X 3 1/2" Fig 2-37r01

| REF. NO. | * | PART NO. | DESCRIPTION | QTY. | REMARKS |
|----------|---|---------------|----------------------|------|------------------------------|
| | | Revision Date | July, 2002 | | Update In Parts List. |
| 1 | | | PSP SEAL | 1 | NSS |
| 2 | | | O'RING | 1 | NSS |
| 3 | | | O'RING | 1 | NSS |
| 4 | | | BACKUP RING | 1 | NSS |
| 5 | | | INTERNAL SNAPRING | 1 | NSS |
| 6 | | | DOUBLE LIP U-CUP | 1 | NSS |
| 7 | | | ROD WIPER | 1 | NSS |
| 8 | | 296254582 | LOCKNUT | 1 | |
| 9 | | 296254583 | PISTON | 1 | |
| 10 | | 296254584 | BARREL ASSEMBLY | 1 | |
| 11 | | 296254585 | ROD ASSEMBLY | 1 | |
| 12 | | 296254586 | SNAP RING HEAD | 1 | |
| 13 | | 287591001 | CYLINDER - 1 X 3-1/2 | 1 | Includes All Items In Figure |
| 13A | | 296254587 | SEAL KIT | | Inc. Ref. 1-7 |

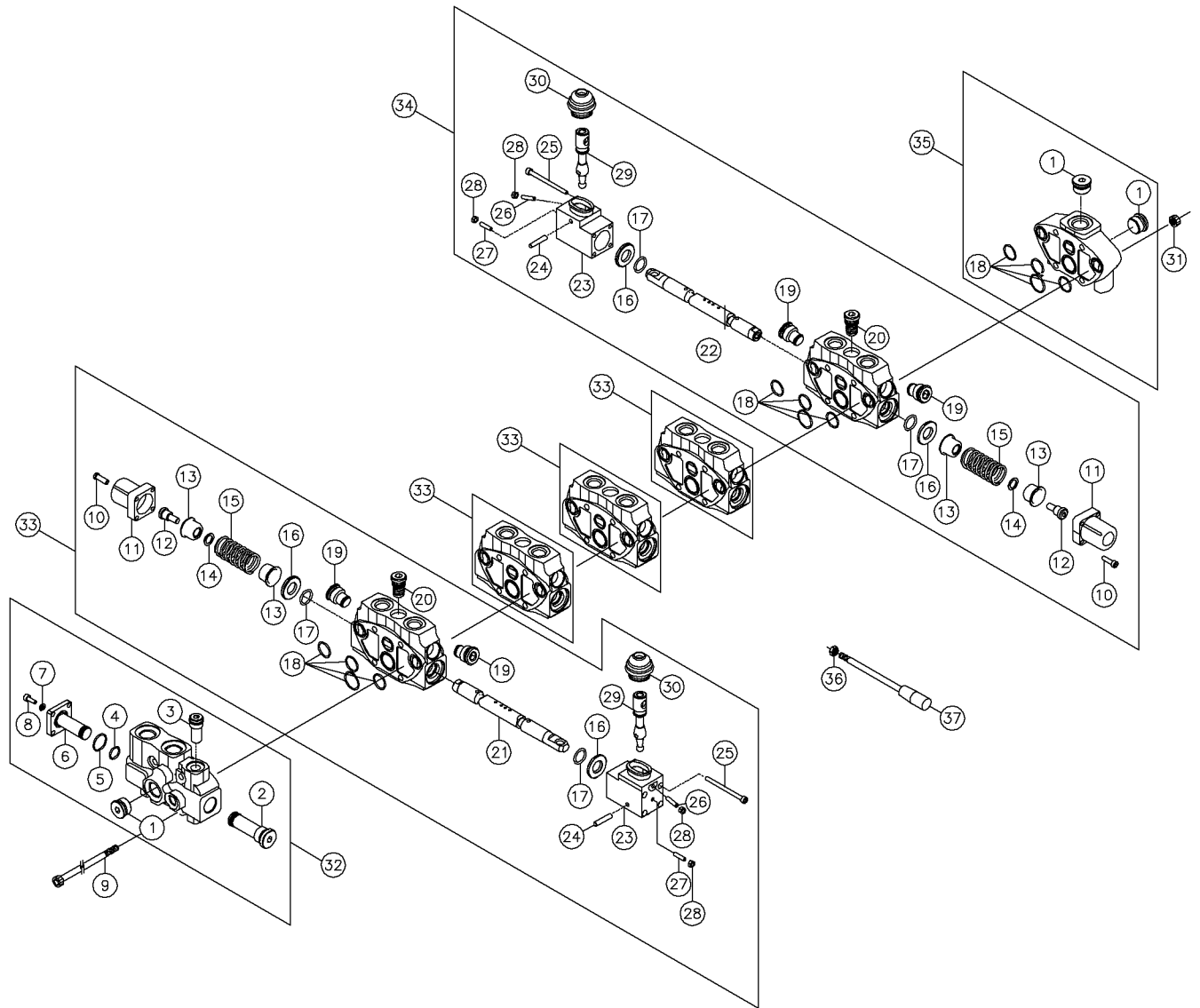
Transport Valve Components (S/N 101-652) Fig 2-38r01



Transport Valve Components (S/N 101-652) Fig 2-38r01

| REF. NO. | * | PART NO. | DESCRIPTION | QTY. | REMARKS |
|----------|---|---------------|-----------------------|------|------------------------------|
| | | Revision Date | June, 2000 | | |
| 1 | | 279334002 | PLUG-SAE 10 | 3 | |
| 2 | | 279334003 | PLUG KIT | 1 | |
| | | 279334031 | SEAL KIT-INLET PLUG | 1 | |
| 3 | | 279334004 | PLUG | 1 | |
| | | 279334030 | SEAL KIT-INLET PLUG | 1 | |
| 4 | | 236100087 | O-RING-14.00 X 1.78 | 1 | |
| 5 | | 279334005 | O-RING-21.95 X 1.78 | 1 | |
| 6 | | 279334006 | FLANGE | 1 | |
| 7 | | 236100065 | WASHER | 4 | |
| 8 | | 236100075 | SCREW-M5 X 14-8.8 | 4 | |
| 9 | | 279334007 | TIE ROD W/NUT | 4 | |
| 10 | | 279334008 | SCREW-M5 X 20-8.8 | 20 | |
| 11 | | 279334009 | END CAP | 5 | |
| 12 | | 279334010 | SCREW-M8 | 5 | |
| 13 | | 279344011 | BUSHING | 10 | |
| 14 | | 279344012 | RING-12.2 X 18 X 1 | 5 | |
| 15 | | 279344013 | SPRING-TYPE B | 5 | |
| 16 | | 251558005 | RING-18 X 34 X 4 | 10 | |
| 17 | | 251558007 | SEAL-O-RING | 10 | |
| 18 | | 279334014 | SEAL KIT-SECTION | 6 | |
| 19 | | 279334015 | PLUG | 10 | |
| | | 279334028 | SEAL KIT-PORT RELIEF | 10 | |
| 20 | | 279334016 | KIT | 5 | |
| | | 279334029 | SEAL KIT-LOAD CHECK | 5 | |
| 21 | | 279334017 | SPOOL | 3 | |
| 22 | | 279334018 | SPOOL | 2 | |
| 23 | | 279334019 | LEVER BOX | 5 | |
| | * | 251558009 | LEVER BOX-W/BOLTS | 5 | |
| 24 | | 279334020 | PIN | 5 | |
| 25 | | 279334021 | SCREW-M5 X 70-B.8 | 20 | |
| 26 | | 236100071 | SCREW-M5 X 25 | 5 | |
| 27 | | 236100069 | SCREW-M5 X 20 | 5 | |
| 28 | | 236100049 | NUT-M5 | 10 | |
| 29 | | 279334022 | LEVER-OPERATING | 5 | |
| 30 | | 279334023 | BELLOW-RUBBER | 5 | |
| 31 | | 236100053 | NUT-M8 GALVANIZED | 4 | |
| 32 | | 279334024 | COVER ASSY.-INLET | 1 | |
| 33 | | 279334025 | SECTION ASSY.-WORKING | 3 | |
| 34 | | 279334026 | SECTION ASSY.-WORKING | 2 | |
| 35 | | 279334027 | COVER ASSY.-OUTLET | 1 | |
| 36 | | 279334032 | NUT-M10 | 5 | |
| 37 | | 279334033 | LEVER-150MM HAND | 3 | |
| 38 | | 279334034 | LEVER-200MM HAND | 2 | |
| | | 279334001 | VALVE-TRANSPORT | | Includes All Items In Figure |

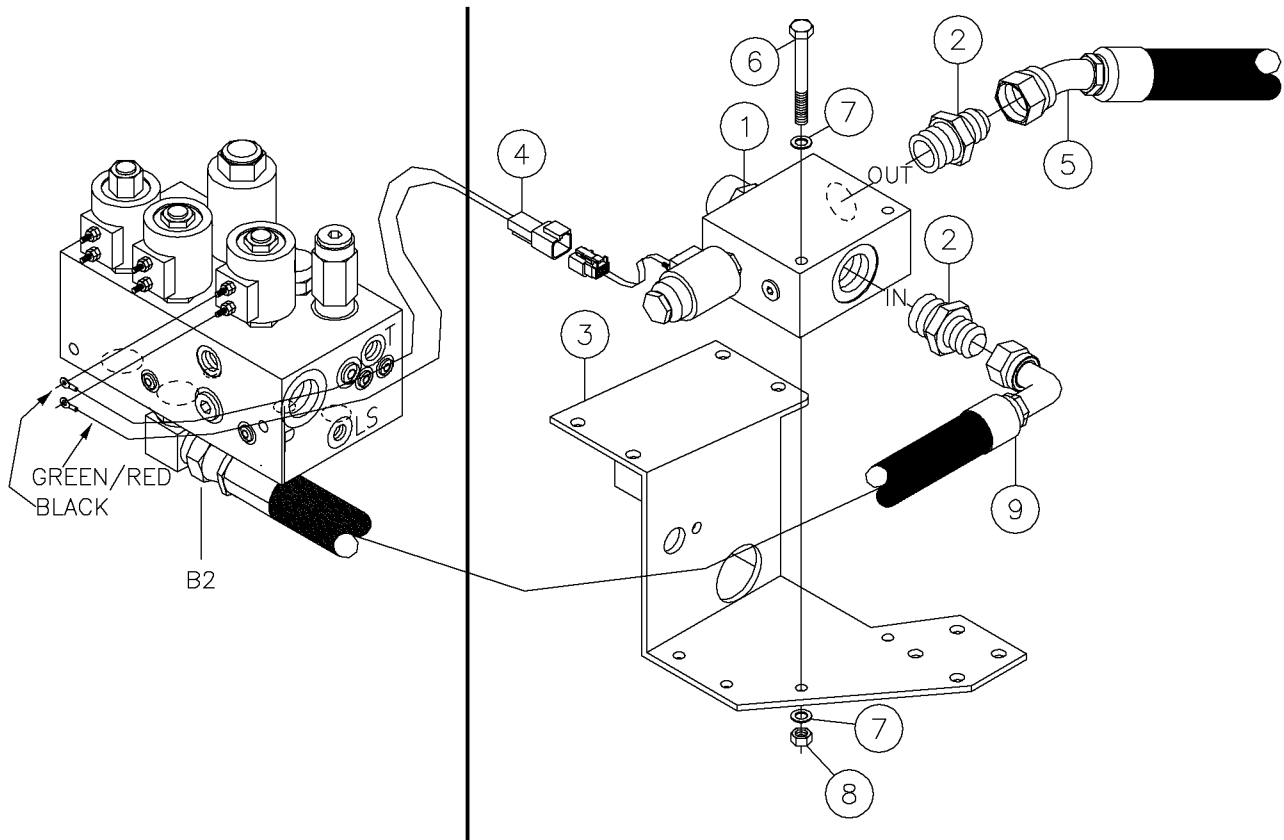
Thrust/Stakedown Valve Components Fig 2-39



Thrust/Stakedown Valve Components Fig 2-39

| REF. NO. | * | PART NO. | DESCRIPTION | QTY. | REMARKS |
|----------|---|---------------|------------------------|------|------------------------------|
| | | Revision Date | June, 1999 | | Addition To Manual |
| 1 | | 279334002 | PLUG-SAE 10 | 3 | |
| 2 | | 279334003 | PLUG KIT | 1 | |
| | | 279334031 | SEAL KIT-INLET PLUG | 1 | |
| 3 | | 279334004 | PLUG | 1 | |
| | | 279334030 | SEAL KIT-INLET PLUG | 1 | |
| 4 | | 236100087 | O-RING-14.00X1.78 | 1 | |
| 5 | | 279334005 | O-RING-21.95X1.78 | 1 | |
| 6 | | 279334006 | FLANGE | 1 | |
| 7 | | 236100065 | WASHER | 4 | |
| 8 | | 236100075 | SCREW-M5X14-8.8 | 4 | |
| 9 | | 279334007 | TIE ROD W/ NUT | 4 | |
| 10 | | 279334008 | SCREW-M5X20-8.8 | 20 | |
| 11 | | 279334009 | END CAP | 5 | |
| 12 | | 279334010 | SCREW-M8 | 5 | |
| 13 | | 279344011 | BUSHING | 10 | |
| 14 | | 279344012 | RING-12.2X18X1 | 5 | |
| 15 | | 279344013 | SPRING-TYPE B | 5 | |
| 16 | | 251558005 | RING-18X34X4 | 10 | |
| 17 | | 251558007 | SEAL-O-RING | 10 | |
| 18 | | 279334014 | SEAL KIT-SECTION | 6 | |
| 19 | | 279334015 | PLUG | 10 | |
| | | 279334028 | SEAL KIT-PORT RELIEF | 10 | |
| 20 | | 279334016 | KIT | 5 | |
| | | 279334029 | SEAL KIT-LOAD CHECK | 5 | |
| 21 | | 279334017 | SPOOL | 4 | |
| 22 | | 251559002 | SPOOL | 1 | |
| 23 | | 279334019 | LEVER BOX | 5 | |
| 24 | | 279334020 | PIN | 5 | |
| 25 | | 279334021 | SCREW-M5X70-8.8 | 20 | |
| 26 | | 236100071 | SCREW-M5X25 | 5 | |
| 27 | | 236100069 | SCREW-M5X20 | 5 | |
| 28 | | 236100049 | NUT-M5 | 10 | |
| 29 | | 279334022 | LEVER-OPERATING | 5 | |
| 30 | | 279334023 | BELLOW-RUBBER | 5 | |
| 31 | | 236100053 | NUT-M8 GALVANIZED | 4 | |
| 32 | | 279334024 | COVER ASSY.-INLET | 1 | |
| 33 | | 251559003 | SECTION ASSY.-WORKING | 4 | |
| 34 | | 251559004 | SECTION ASSY.-WORKING | 1 | |
| 35 | | 279334027 | COVER ASSY.-OUTLET | 1 | |
| 36 | | 279334032 | NUT-10M | 4 | |
| 37 | | 279334033 | LEVER-150MM HAND | 4 | |
| | | 251559001 | VALVE-THRUST/STAKEDOWN | | Includes All Items In Figure |

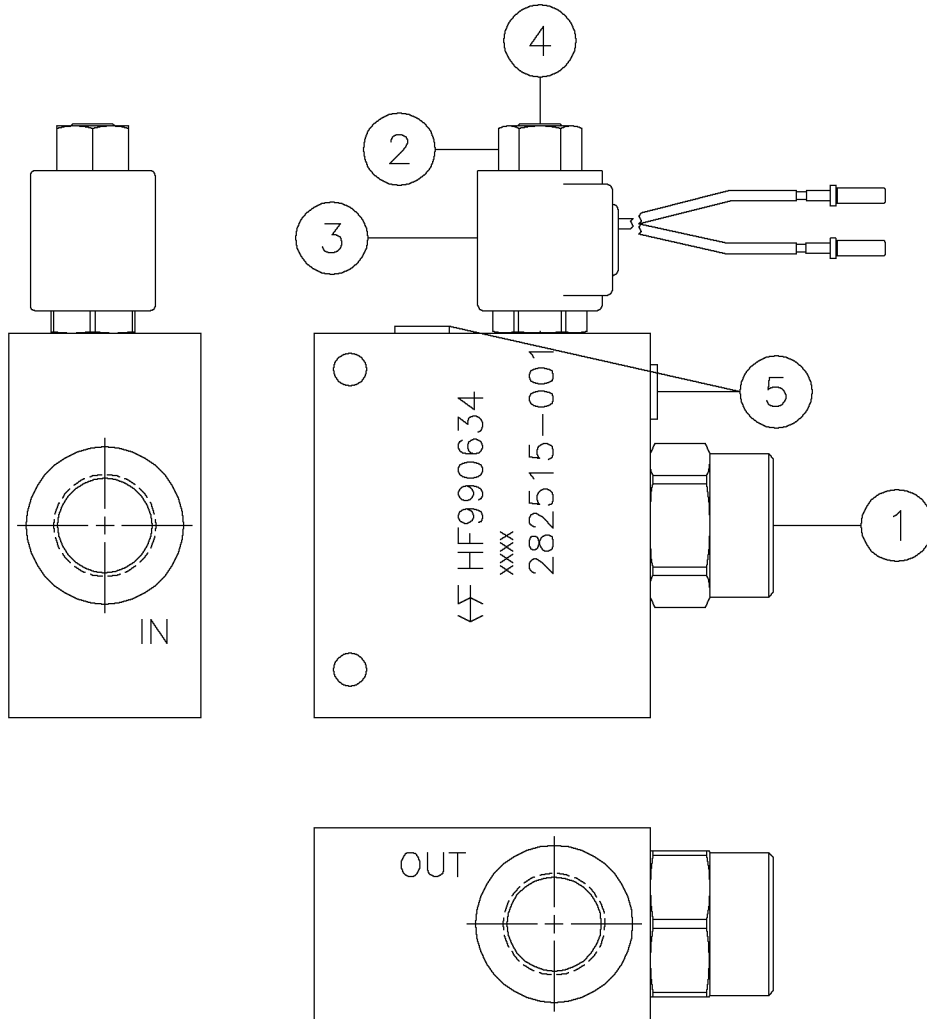
Flow Regulator & Bypass Valve (S/N 368 -) Fig 2-40r01



Flow Regulator & Bypass Valve (S/N 368 -) Fig 2-40r01

| REF. NO. | * | PART NO. | DESCRIPTION | QTY. | REMARKS |
|----------|---|---------------|------------------------------------|------|--------------------|
| | | Revision Date | June, 2000 | | |
| 1 | * | 282515001 | VALVE-FLOW REGULATOR & BYPASS | 1 | Breakdown Fig 2-41 |
| 2 | | 53854001 | 12M O-RING 10M JIC ST. | 2 | |
| 3 | | 251586001 | BRACKET-FILTERS & THRUST CABLE | 1 | |
| 4 | | 283513001 | HARNESS CONNECTOR | 1 | |
| 5 | | 282519001 | HOSE-5/8 X 19 10FS JIC ST/45 M3K | 1 | |
| 6 | | 250502001 | BOLT-5/16-18 X 2 3/4" GR8 HEX Y | 2 | |
| 7 | | 235714001 | WASHER-5/16 SAE HARD ZINC PLTD | 4 | |
| 8 | | 235741001 | NUT-5/16-18 GR 8 ZINC PLTD | 2 | |
| 9 | | 53842525 | HOSE-5/8 X 24 10FS JIC ST/90 3000# | 1 | |

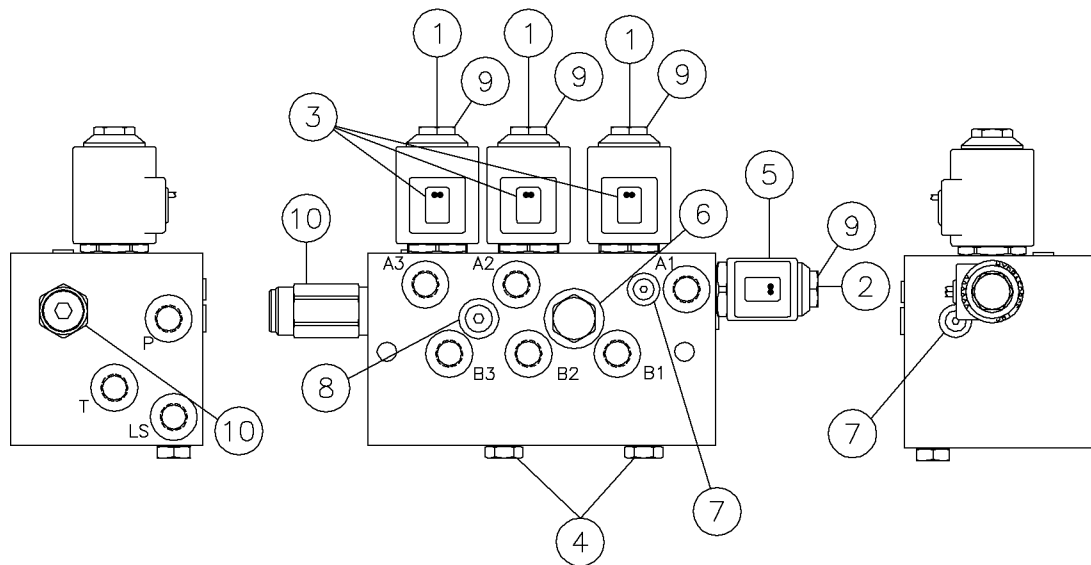
Flow Regulator & Bypass Valve Components Fig 2-41r01



Flow Regulator & Bypass Valve Components Fig 2-41r01

| REF. NO. | * | PART NO. | DESCRIPTION | QTY. | REMARKS |
|----------|---|---------------|-------------------------------|------|------------------------------|
| | | Revision Date | June, 2000 | | Update In Illustration |
| 1 | | 282515003 | CARTRIDGE-FLOW REGULATOR | 1 | |
| | | 282515005 | SEAL KIT | 1 | |
| 2 | | 282515007 | NUT | 1 | |
| 3 | | 251117009 | COIL | 1 | |
| 4 | | 282515009 | CARTRIDGE SOLENOID | 1 | |
| | | 228128009 | SEAL KIT | 1 | |
| 5 | | 240324011 | PLUG-SAE | 2 | |
| | | 240324013 | SEAL KIT | 2 | |
| | | | | | |
| | | 282515001 | VALVE-FLOW REGULATOR & BYPASS | | Includes All Items In Figure |

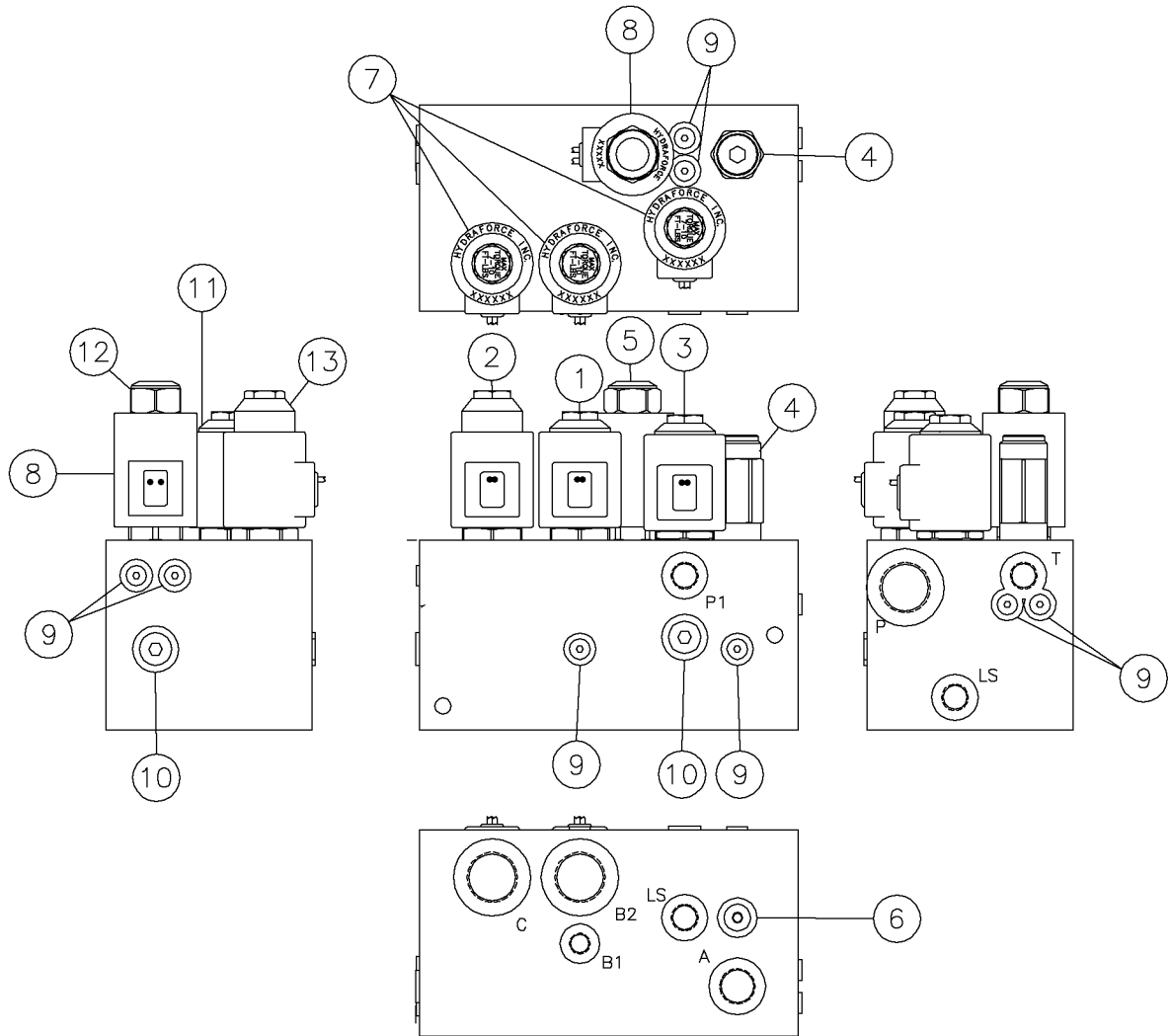
Solenoid Valve Components (S/N 386, 462) Fig 2-42r01



Solenoid Valve Components (S/N 386, 462) Fig 2-42r01

| REF. NO. | * | PART NO. | DESCRIPTION | QTY. | REMARKS |
|----------|---|---------------|--------------------------------|------|------------------------------|
| | | Revision Date | July, 2002 | | Update In Parts List. |
| 1 | | 228128003 | CARTRIDGE-SOLENOID | 3 | |
| | | 206271007 | REPAIR KIT | 3 | |
| 2 | | 282523003 | POPPET 2-WAY | 1 | |
| | | 212821009 | SEAL KIT | 1 | |
| 3 | | 251112005 | COIL-10 DL 12V/SPL | 3 | |
| 4 | | 228128013 | SENSE CHECK | 2 | |
| | | 228128015 | SEAL KIT | 2 | |
| 5 | | 251117009 | COIL-#18 | 1 | |
| 6 | | 228128017 | CHECK VALVE | 1 | |
| | | 500659019 | SEAL KIT-SOLENOID, SPOOL 2 WAY | 1 | |
| 7 | | 240324015 | PLUG-SAE | 7 | |
| | | 240324017 | SEAL KIT | 7 | |
| 8 | | 240324011 | PLUG-SAE | 1 | |
| | | 240324013 | SEAL KIT | 1 | |
| 9 | * | 280624001 | NUT-RAIN PROOF COIL | 4 | Corrected Spelling Error |
| 10 | | 282523002 | CARTRIDGE-PRESSURE CONTROL | 1 | |
| | | 236316005 | SEAL KIT | 1 | |
| | | | | | |
| | | 282523001 | WISE-CLAMP | | Includes All Items In Figure |

Valve Components - Proportional/Dump (S/N 386, 462-779) Fig 2-43r01

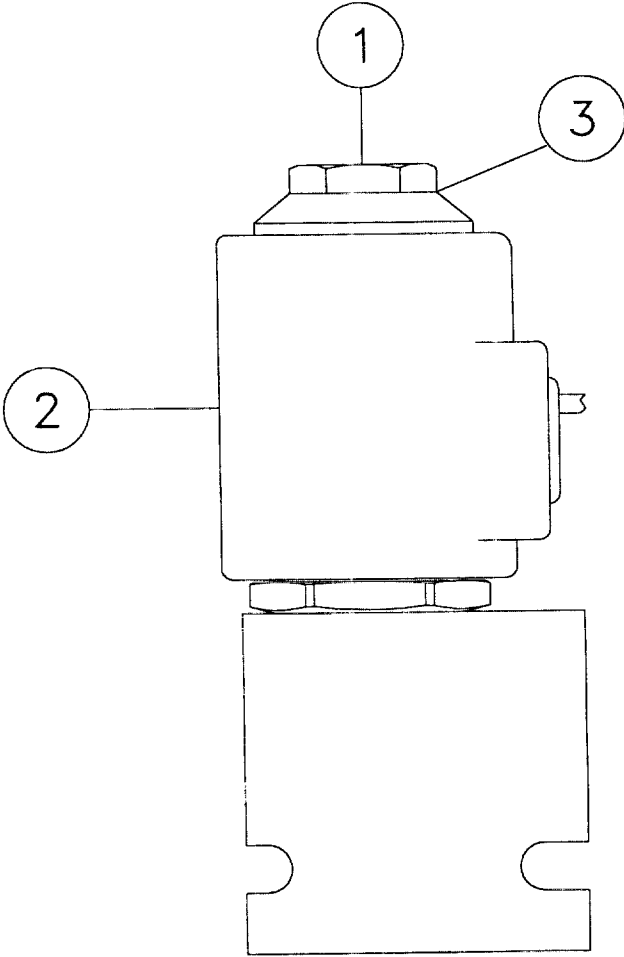


Valve Components - Proportional/Dump (S/N 386, 462-779) Fig 2-43r01

| REF. NO. | * | PART NO. | DESCRIPTION | QTY. | REMARKS |
|----------|---|---------------|-----------------------------|------|------------------------------|
| | | Revision Date | October, 2000 | | |
| 1 | | 282520002 | POPPET-2-WAY, N/C | 1 | |
| | | 282520001 | SEAL KIT | 1 | |
| 2 | | 282520018 | POPPET, 2-WAY, N/O | 1 | |
| | | 282520009 | SEAL KIT | 1 | |
| 3 | | 282520004 | POPPET, 2-WAY, N/C | 1 | |
| | | 240324005 | SEAL KIT | 1 | |
| 4 | | 282520005 | PRESSURE REDUCING/RELIEVING | 1 | |
| | | 282520010 | SEAL KIT | 1 | |
| 5 | | 282520006 | PROPORTIONAL FLOW CONTROL | 1 | |
| | | 282520011 | SEAL KIT | 1 | |
| 6 | | 282520007 | CHECK VALVE | 1 | |
| | | 282520012 | SEAL KIT | 1 | |
| 7 | | 251112005 | COIL-10 DL 12/SPL | 3 | |
| 8 | | 282520003 | SOLENOID-#10 W/LEADS | 1 | |
| 9 | | 240324015 | PLUG SAE | 8 | |
| | | 240324017 | SEAL KIT | 8 | |
| 10 | | 500659021 | PLUG SAE | 2 | |
| | | 228128015 | SEAL KIT | 2 | |
| 11 | | 280624001 | NUT-RAIN PROOF COIL | 2 | |
| 12 | | 240324019 | COIL NUT | 1 | |
| 13 | | 282520019 | COIL NUT | 1 | |
| | | | | | |
| | | 282520001 | VALVE PROPORTIONAL | | Includes All Items In Figure |

2-Way Solenoid Valve Components (S/N 386, 462 -) Fig 2-44

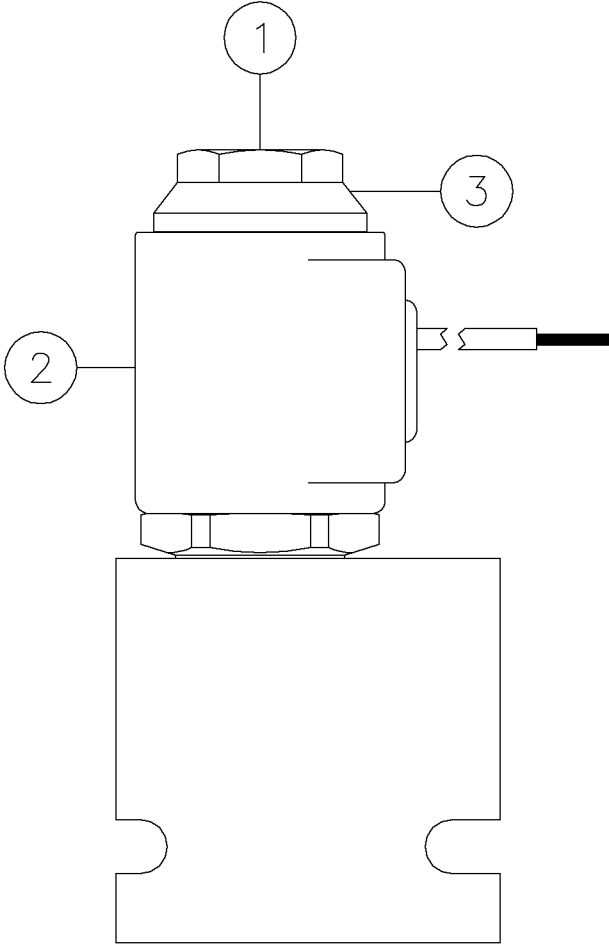
Revised January 2000 due to addition of figure to manual.



2-Way Solenoid Valve Components (S/N 386, 462 -) Fig 2-44

| REF. NO. | * | PART NO. | DESCRIPTION | QTY. | REMARKS |
|----------|---|---------------|---------------------------------|------|------------------------------|
| | | Revision Date | January, | | Addition To Manual |
| 1 | | 282520004 | POPPET 2-WAY | 1 | |
| | | 240324001 | SEAL KIT | 1 | |
| 2 | | 251112005 | COIL-10DL 12V/SPL | 1 | |
| 3 | | 280624001 | NUT-RAIN PROOF COIL | 1 | |
| | | | | | |
| | | 282524001 | 2-WAY SOLENOID VALVE COMPONENTS | | Includes All Items In Figure |

2-Way Nc Solenoid Valve Components (S/N 386, 462 -) Fig 2-45r01

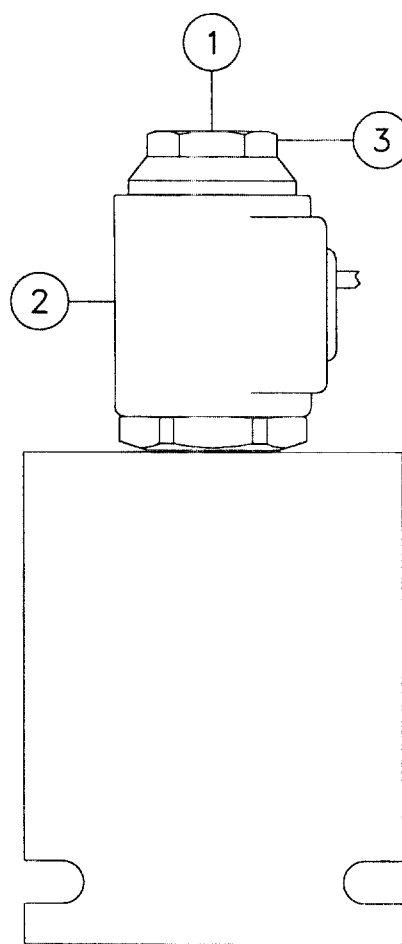


2-Way Nc Solenoid Valve Components (S/N 386, 462 -) Fig 2-45r01

| REF. NO. | * | PART NO. | DESCRIPTION | QTY. | REMARKS |
|----------|---|---------------|---------------------|------|------------------------------|
| | | Revision Date | July, 2002 | | Update In Parts List. |
| 1 | | 282521002 | SPOOL 2 WAY, N/C | 1 | |
| | | 246435001 | SEAL KIT | 1 | |
| 2 | * | 251117009 | COIL - #8 | 1 | corrected part number |
| 3 | | 280624001 | NUT-RAIN PROOF COIL | 1 | |
| | | | | | |
| | | 282521001 | VALVE 2 POS, 2 WAY | | Includes All Items In Figure |

Valve Components - 2 Pos 4 Way (S/N 386, 462 -) Fig 2-46

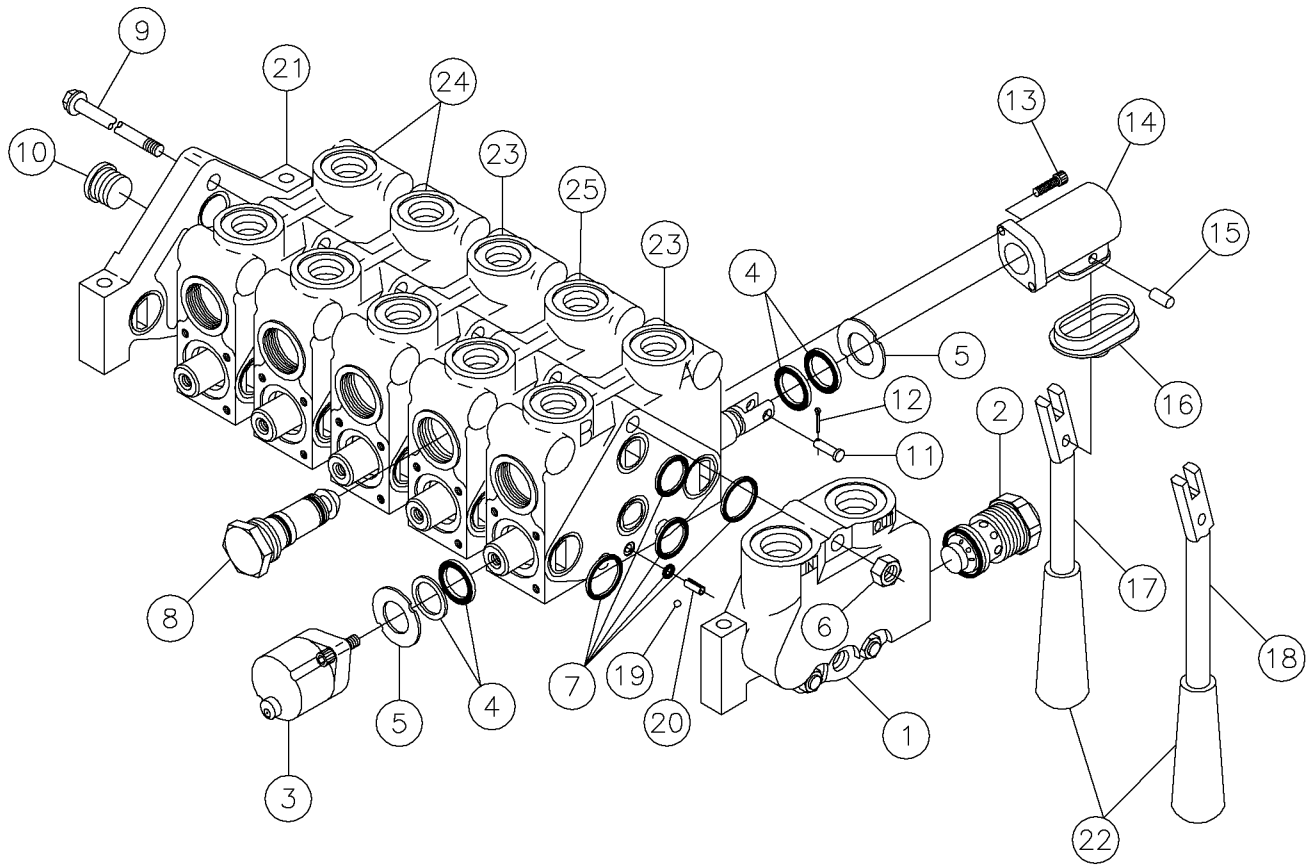
Revised January 2000 due to addition of figure to manual.



Valve Components - 2 Pos 4 Way (S/N 386, 462 -) Fig 2-46

| REF. NO. | * | PART NO. | DESCRIPTION | QTY. | REMARKS |
|----------|---|---------------|--------------------------|------|------------------------------|
| | | Revision Date | January, | | Addition To Manual |
| 1 | | 282525002 | SPOOL, 4 WAY, 2-POSITION | 1 | |
| 2 | | 251117009 | COIL-#8 | 1 | |
| 3 | | 280624001 | NUT-RAIN PROOF COIL | 1 | |
| | | | | | |
| | | 282525001 | VALVE-2 POST 4 WAY | | Includes All Items In Figure |

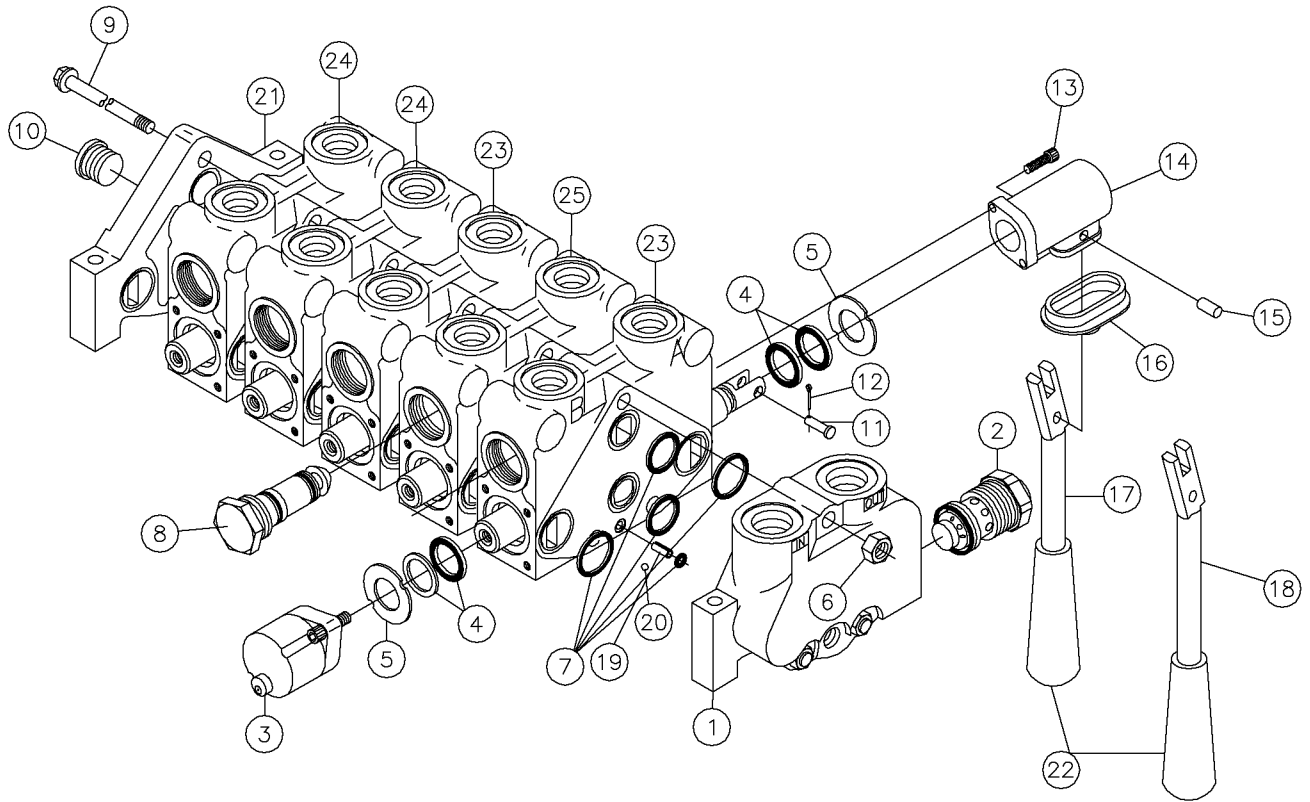
Control Valve Components - 5 Spool (S/N 653 -) Fig 2-47r01



Control Valve Components - 5 Spool (S/N 653 -) Fig 2-47r01

| REF. NO. | * | PART NO. | DESCRIPTION | QTY. | REMARKS |
|----------|---|---------------|----------------------------------|------|--|
| | | Revision Date | September, 2004 | | Update In Illustration & Parts List. |
| 1 | | 287530011 | LEFT COVER COMPLETE | 1 | |
| 2 | | 228113005 | WH MAIN RELIEF (3500 PSI) | 1 | |
| 3 | | 6149005 | POSITIONER - STD | 5 | |
| 4 | | 3147077 | REPAIR KIT GRESEN K-6035 | 5 | |
| 5 | | 3147081 | RETAIN - PLT WASHER | 10 | |
| 6 | | 446001 | NUT-3/8 NF HEX | 3 | |
| 7 | | 87390001 | REPAIR KIT-LOAD SENSING SECT. | 6 | |
| 8 | | 3147035 | PLUG-LOAD CHECK STEEL | 10 | |
| 9 | | 6149003 | STUD KIT-5 SECTION | 3 | Inc Ref No 6 |
| 10 | | 96056007 | SAE 8 PLUG | 1 | Include O-Ring |
| 11 | | 608257001 | CLEVIS PIN | 5 | |
| 12 | | 510035 | PIN-3/32 X 1/2 COTTER | 5 | |
| 13 | | 287530003 | SCREW-HSHC 1/4-20 X 1.00 | 10 | |
| 14 | | 608258001 | BRACKET | 5 | |
| 15 | | 287530004 | PIN-DOWEL-1/4 X .625 | 5 | |
| 16 | | 608253001 | DUST BOOT | 5 | |
| 17 | | 287530005 | HANDLE-V20 ENCLOSED VERTICAL | 3 | |
| 18 | | 287530010 | HANDLE | 2 | |
| 19 | | 87397001 | PIN-SPRING | 1 | |
| 20 | | 87398001 | BALL | 1 | |
| 21 | | 287530006 | COVER ASSY-RIGHT LOAD SENSING | 1 | Inc Ref No's 7 & 10 |
| 22 | | 608251001 | KNOB | 5 | |
| 23 | | 287530007 | BODY ASSY-CNTR SEC. W/FREE FLOW | 2 | Includes One Each Of Ref No's 3-5, 11-17, 19, 20, 22 & Two Of Ref No's 5, 8 & 13 |
| 24 | | 287530008 | BODY ASSY.-CNTR SEC W/ FREE FLOW | 2 | Includes One Each Of Ref No's 3-5, 11-17, 19, 20, 22 & Two Of Ref No's 5, 8 & 13 |
| 25 | | 287530009 | BODY ASSY CNTR SEC W/ TREE FLOW | 1 | Includes One Each Of Ref No's 2, 4, 5, 11-17, 19, 20, 22 & Two Of Ref No's 5, 8 & 13 |
| | | | | | |
| | | 287530001 | VALVE - TRANSPORT | | Includes All Items In Figure |

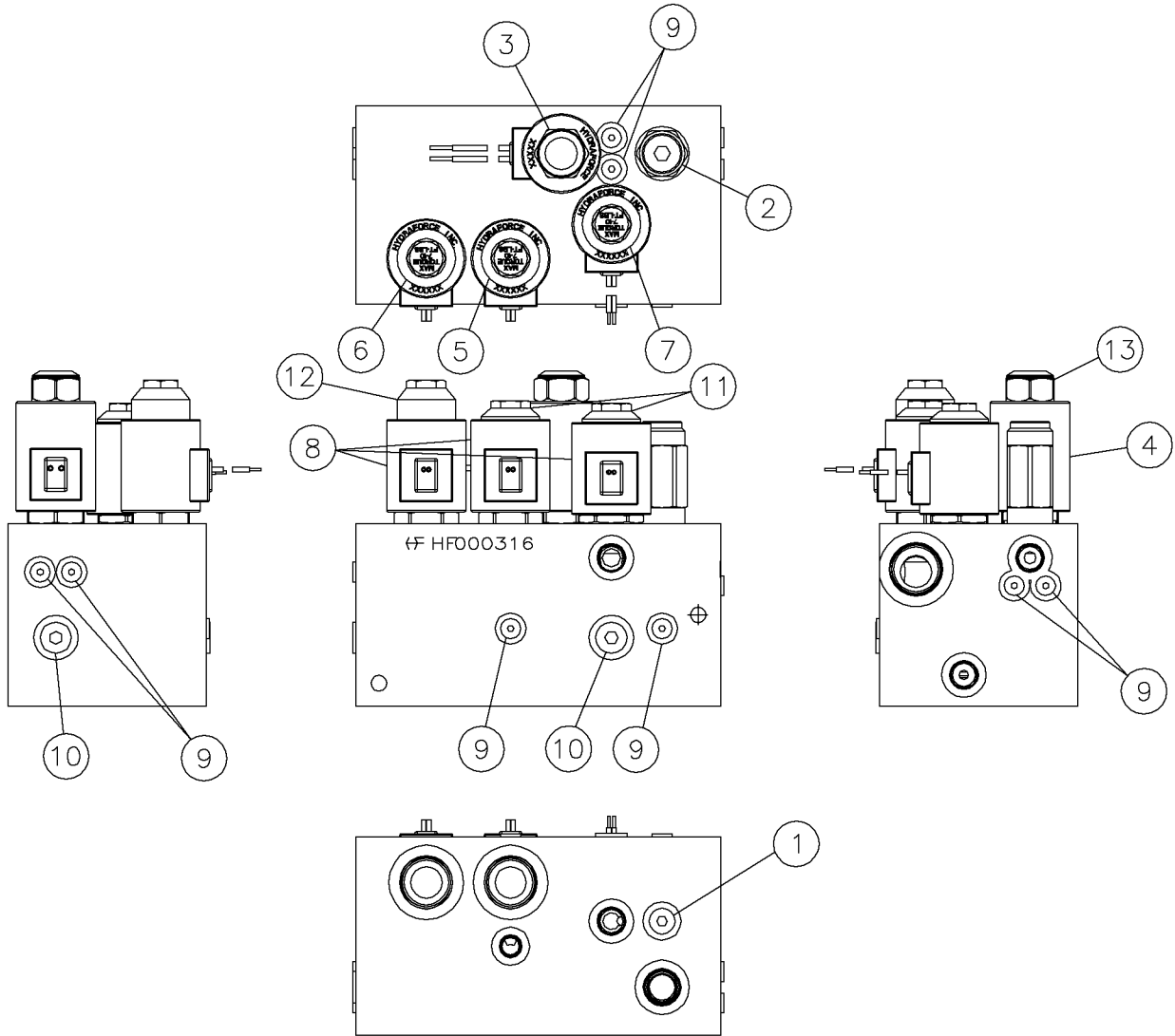
Control Valve Components - 5 Spool (S/N 653 -) Fig 2-47



Control Valve Components - 5 Spool (S/N 653 -) Fig 2-47

| REF. NO. | * | PART NO. | DESCRIPTION | QTY. | REMARKS |
|----------|---|---------------|----------------------------------|------|--|
| | | Revision Date | June, 2000 | | Addition To Manual |
| 1 | | 287530011 | LEFT COVER COMPLETE | 1 | |
| 2 | | 228113005 | WH MAIN RELIEF (3500 PSI) | 1 | Breakdown Fig 3-11 |
| 3 | | 6149005 | POSITIONER-STD | 5 | Breakdown Fig 3-10 |
| 4 | | 3147077 | REPAIR KIT | 5 | |
| 5 | | 3147081 | RETAIN-PLT WASHER | 10 | |
| 6 | | 446001 | NUT-3/8 NF HEX | 3 | |
| 7 | | 87390001 | REPAIR KIT-LOAD SENSING SECT. | 6 | |
| 8 | | 3147035 | PLUG-LOAD CHECK STEEL | 10 | Breakdown Fig 3-9 |
| 9 | | 6149003 | STUD KIT-5 SECTION | 3 | Inc Ref No 6 |
| 10 | | 96056007 | SAE 8 PLUG | 1 | Include O-Ring |
| 11 | | 608257001 | CLEVIS PIN | 5 | |
| 12 | | 510035 | PIN-COTTER .078 X .50 | 5 | |
| 13 | | 287530003 | SCREW-HSHC 1/4-20 X 1.00 | 10 | |
| 14 | | 608258001 | BRACKET | 5 | |
| 15 | | 287530004 | PIN-DOWEL-1/4 X .625 | 5 | |
| 16 | | 608253001 | DUST BOOT | 5 | |
| 17 | | 287530005 | HANDLE-V20 ENCLOSED VERTICAL | 3 | |
| 18 | | 287530010 | HANDLE | 2 | |
| 19 | | 87397001 | PIN-SPRING | 1 | |
| 20 | | 87398001 | BALL | 1 | |
| 21 | | 287530006 | COVER ASSY-RIGHT LOAD SENSING | 1 | Inc Ref No's 7 & 10 |
| 22 | | 608251001 | KNOB | 5 | |
| 23 | | 287530007 | BODY ASSY-CNTR SEC. W/FREE FLOW | 2 | Includes One Each Of Ref No's 3-5, 11-17, 19, 20, 22 & Two Of Ref No's 5, 8 & 13 |
| 24 | | 287530008 | BODY ASSY.-CNTR SEC W/ FREE FLOW | 2 | Includes One Each Of Ref No's 3-5, 11-17, 19, 20, 22 & Two Of Ref No's 5, 8 & 13 |
| 25 | | 287530009 | BODY ASSY CNTR SEC W/ TREE FLOW | 1 | Includes One Each Of Ref No's 2, 4, 5, 11-17, 19, 20, 22 & Two Of Ref No's 5, 8 & 13 |
| | | | | | |
| | | 287530001 | VALVE-5 SPOOL (COMPLETE) | | Includes All Items In Figure |

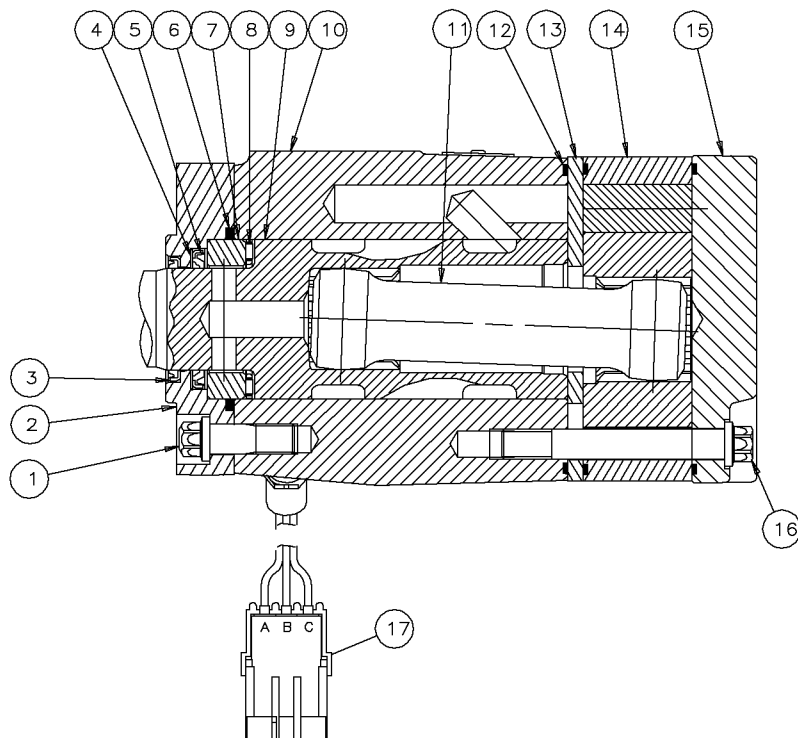
Valve Components - Proportional/Dump (S/N 780-) Fig 2-48



Valve Components - Proportional/Dump (S/N 780-) Fig 2-48

| REF. NO. | * | PART NO. | DESCRIPTION | QTY. | REMARKS |
|----------|---|---------------|------------------------------|------|------------------------------|
| | | Revision Date | October, 2000 | | Addition To Manual |
| 1 | | 282862002 | CHECK VALVES | 1 | |
| 1 | | 282862006 | SEAL KIT | 1 | |
| 2 | | 282862003 | PRESSURE REDUCING/RELIEVING | 1 | |
| 2 | | 282862007 | SEAL KIT | 1 | |
| 3 | | 282862004 | PROPORTIONAL FLOW CONTROL | 1 | |
| 3 | | 282862008 | SEAL KIT | 1 | |
| 4 | | 282520003 | SOLENOID-#10 W/LEADS DEUTSCH | 1 | |
| 5 | | 279359003 | POPPET-2-WAY NORMALLY CLOSE | 1 | |
| 5 | | 240324003 | SEAL KIT | 1 | |
| 6 | | 279359004 | POPPET-2 WAY NORMALLY OPEN | 1 | |
| 6 | | 240324003 | SEAL KIT | 1 | |
| 7 | | 279356010 | POPPET-2-WAY NORMALLY CLOSE | 1 | |
| 7 | | 240324001 | SEAL KIT | 1 | |
| 8 | | 251112005 | COIL-10 DL 12V/SPL | 3 | |
| 9 | | 240324015 | PLUG-SAE | 8 | |
| 9 | | 240324017 | SEAL KIT | 8 | |
| 10 | | 500659021 | SEAL PLUG | 2 | |
| 10 | | 228128015 | SEAL KIT | 2 | |
| 11 | | 280624001 | NUT-RAIN PROOF COIL | 2 | |
| 12 | | 282520001 | COIL NUT | 1 | |
| 13 | | 240324019 | NUT-COIL | 1 | |
| | | | | | |
| | | 282862001 | VALVE PROPORTIONAL | | Includes All Items In Figure |

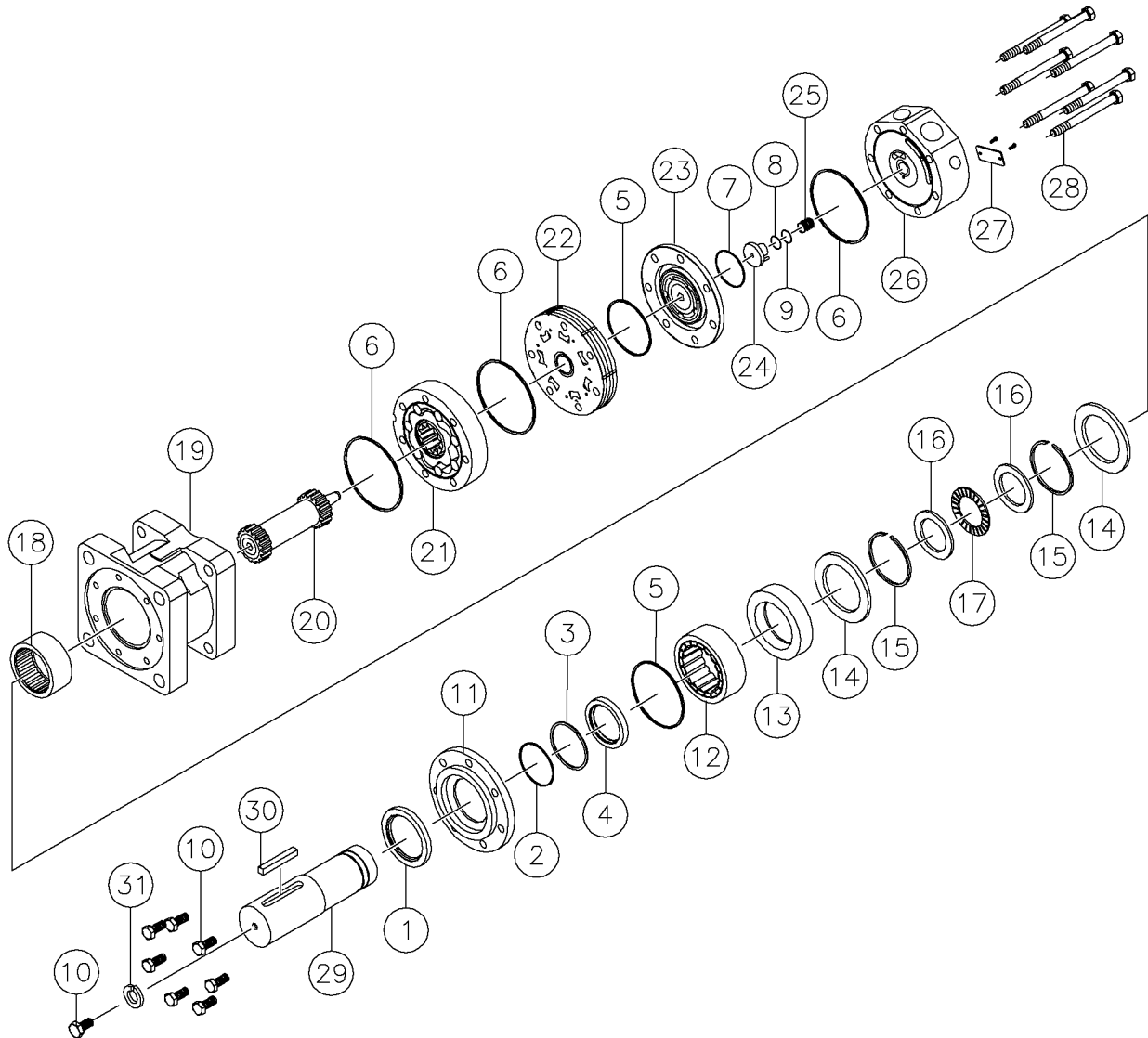
Hyd Motor W/Speed Pickup Components - Water Pump (S/N 870 -) Fig 2-49



Hyd Motor W/Speed Pickup Components - Water Pump (S/N 870 -) Fig 2-49

| REF. NO. | * | PART NO. | DESCRIPTION | QTY. | REMARKS |
|----------|---|---------------|----------------------------|------|------------------------|
| | | Revision Date | October, 2000 | | Addition To Manual |
| 1 | | 219177003 | SCREW-CAP 5/16"-24X7/8 | 4 | |
| 2 | | 236118003 | FLANGE-2 BLT MOUNTING | 1 | |
| 3 | | 751003 | SEAL-DUST 9055-1 | 1 | |
| 4 | | 79530009 | WASHER-BACK UP #22002 | 1 | |
| 5 | | 79530005 | SEAL-PRESSURE #9057-14 | 1 | |
| 6 | | 6284003 | SEAL-9091-1 | 1 | |
| 7 | | 751009 | RACE-BEARING 7462 | 1 | |
| 8 | | 751011 | BEARING-THRUST NEEDLE 7537 | 1 | |
| 9 | | 764007 | SHAFT-OUTPUT 7360-2 | 1 | |
| 10 | | 287507002 | HOUSING | 1 | |
| 11 | | 287507003 | DRIVE | 1 | |
| 12 | | 219177011 | SEAL | 1 | |
| 13 | | 287508005 | SPACER PLATE | 1 | |
| 14 | | NSS | GEROLER SUB ASSEMBLY | 1 | |
| 15 | | 251578003 | END CAP | 1 | |
| 16 | | 287507004 | CAP SCREW | 7 | |
| 17 | | 251106009 | SENSOR | 1 | |
| | | | | | |
| | | 287507001 | MOTOR W/SPEED PICKUP | | |
| | | 219177015 | SEAL KIT | | Inc Ref No's 3-16 & 12 |

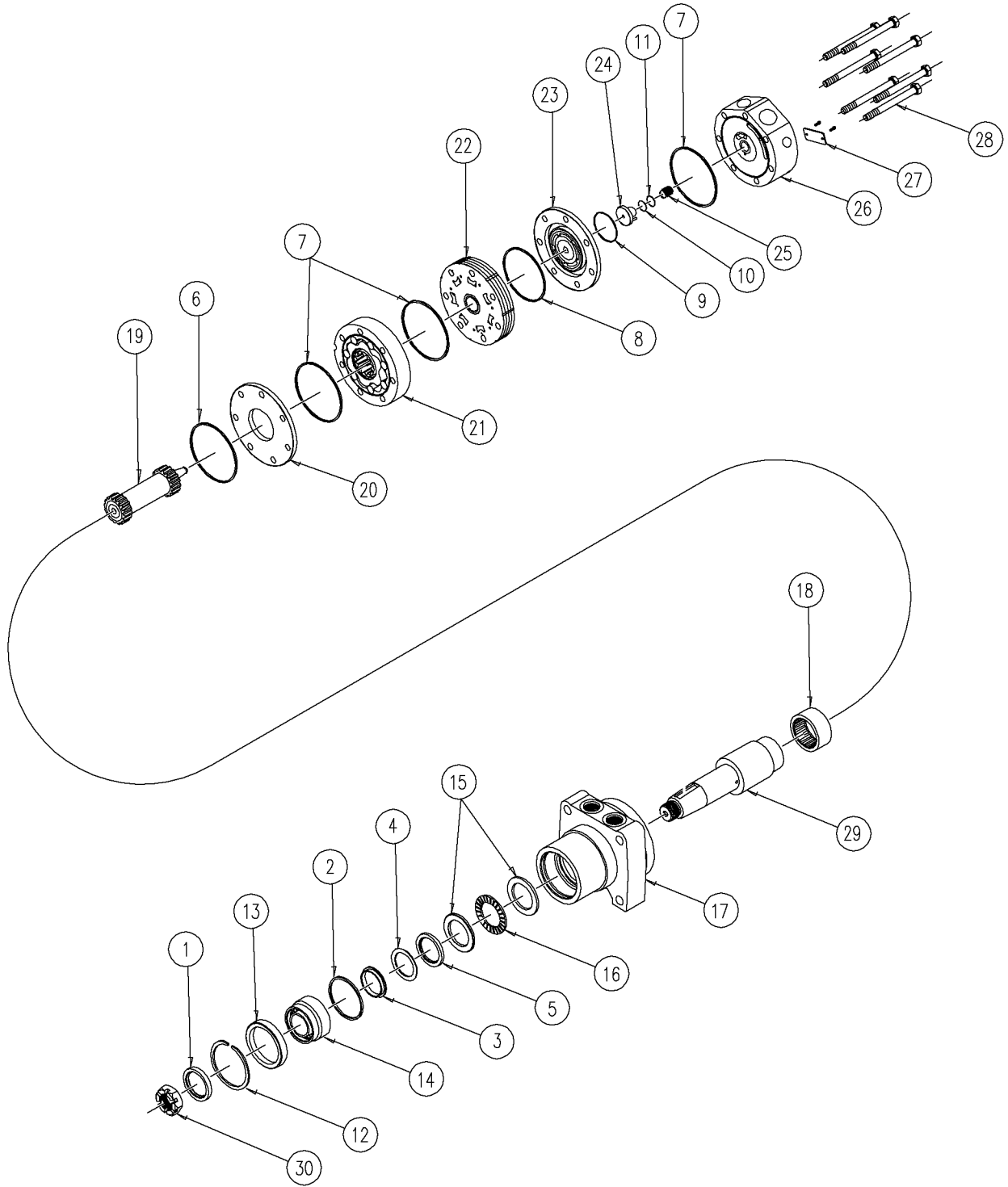
Hyd Motor Components - 46 Cu. In. (S/N 944-) Fig 2-50r02



Hyd Motor Components - 46 Cu. In. (S/N 944-) Fig 2-50r02

| REF. NO. | * | PART NO. | DESCRIPTION | QTY. | REMARKS |
|----------|---|---------------|---|------|----------------------------------|
| | | Revision Date | February, 2005 | | New Figure Page Added For SN408- |
| 1 | | NSS | SEAL-DUST | 1 | |
| 2 | | NSS | SHIM-METAL BACKUP | 1 | |
| 3 | | NSS | SEAL-TEFLON BACKUP | 1 | |
| 4 | | NSS | SEAL-SHAFT | 1 | |
| 5 | | NSS | SEAL-LATHE CUT | 2 | |
| 6 | | NSS | SEAL-BODY | 3 | |
| 7 | | NSS | SEAL-COMMUTATOR | 1 | |
| 8 | | NSS | SEAL-O-RING | 1 | |
| 9 | | NSS | SEAL-TEFLON BACKUP | 1 | |
| 10 | | 383010 | BOLT-1/2-20X1 GR 8 HEX HEAD | 8 | |
| 11 | | 236219-007 | RING-PILOT | 1 | |
| 12 | | 236219-009 | BEARING-2 1/2" ROLLER | 1 | |
| 13 | | 236219-011 | SPACER-BEARING | 1 | |
| 14 | | 236219-013 | WASHER-RETAINING | 2 | |
| 15 | | 236219-015 | SNAP RING | 2 | |
| 16 | | 236219-017 | WASHER-THRUST | 2 | |
| 17 | | 236219-019 | BEARING-THRUST | 1 | |
| 18 | | 236219-021 | BEARING-REAR HOUSING | 1 | |
| 19 | | 236219-023 | HOUSING | 1 | |
| 20 | | 240349019 | DRIVE LINK | 1 | |
| 21 | | 240349023 | ROTOR ASSEMBLY | 1 | |
| 22 | | 236219029 | MANIFOLD | 1 | |
| 23 | | 236219031 | COMMUTATOR ASSY | 1 | |
| 24 | | 236219033 | PISTON-END COVER | 1 | |
| 25 | | 236219035 | SPRING-PISTON | 1 | |
| 26 | | 236219037 | ENDCOVER | 1 | Inc. Ref. 8, 9, 24 & 25 |
| 27 | | NSS | I.D. TAG ASSY | 1 | |
| 28 | | 296251916 | BOLT ASSY (7) | 1 | |
| 29 | | 236219041 | SHAFT ASSY | 1 | Inc. Ref. 1-5,10-17, & 29 & 31 |
| 30 | | 236219005 | KEY-SHAFT | 1 | |
| 31 | | 480011 | WASHER-1/2 S/T LOCK | 1 | |
| | | 236219003 | SEAL KIT-HYD MOTOR | | Inc. Ref. 1-9 |
| | | 289055001 | MOTOR-46 CU IN HYDRAULIC-R | | Inc. All Items In Figure |
| | | 289056001 | MOTOR-46 CU IN HYDRAULIC-L | | Inc. All Items In Figure |
| | | | * NOTE: THE ONLY DIFFERENCE BETWEEN THE TWO MOTORS IN THIS FIGURE IS THE PLACEMENT (ROTATION) OF THE END CAP (REF. 26). | | |

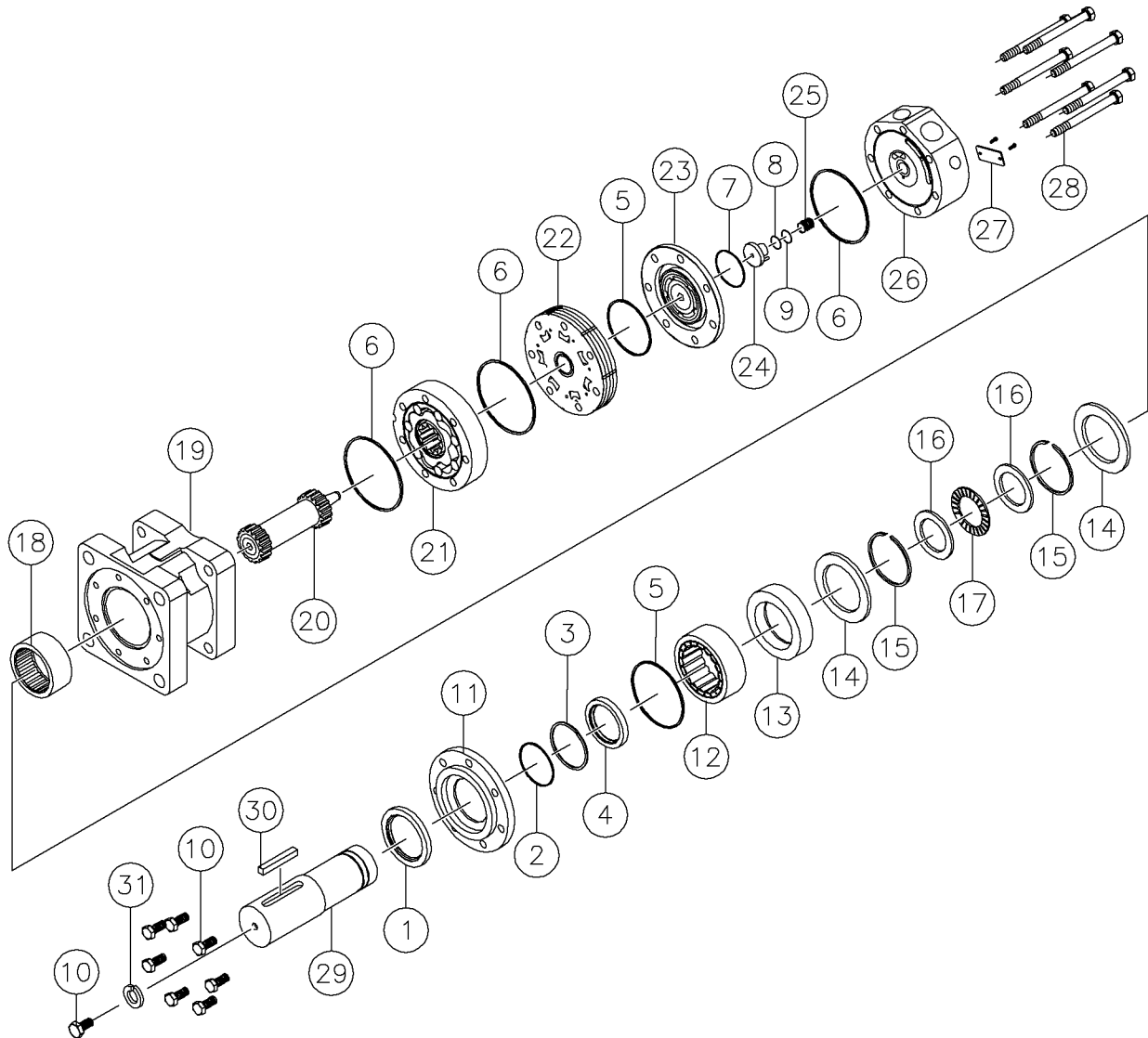
Hyd Motor Components - 46 Cu. In. (S/N 944-) Fig 2-50r01



Hyd Motor Components - 46 Cu. In. (S/N 944-) Fig 2-50r01

| REF NO | * | PART NO. | DESCRIPTION | QTY. | REMARKS |
|--------|---|-----------|---|------|------------------------------|
| 1 | | NSS | DUST SEAL | 1 | |
| 2 | | NSS | HIGH PRESSURE SEAL | 1 | |
| 3 | | NSS | METAL BACKUP SHIM | 1 | |
| 4 | | NSS | TEFLON BACKUP SEAL | 1 | |
| 5 | | NSS | SHAFT SEAL | 1 | |
| 6 | | NSS | HOUSING SEAL | 1 | |
| 7 | | NSS | BODY SEALS | 3 | |
| 8 | | NSS | MANIFOLD SEAL | 1 | |
| 9 | | NSS | COMMUTATOR SEAL | 1 | |
| 10 | | NSS | O-RING SEAL | 1 | |
| 11 | | NSS | TEFLON BACKUP SEAL | 1 | |
| 12 | | 240349005 | SNAP RING | 1 | |
| 13 | | 240349007 | SPACER-BEARING | 1 | |
| 14 | | 240349009 | BEARING-1.5 | 1 | |
| 15 | | 240349011 | WASHER-THRUST | 2 | |
| 16 | | 240349013 | BEARING-THRUST | 1 | |
| 17 | | 240349015 | HOUSING | 1 | |
| 18 | | 240349017 | BEARING-REAR HOUSING | 1 | |
| 19 | | 275057003 | DRIVE LINK | 1 | |
| 20 | | 240349021 | PLATE-DIVIDER | 1 | |
| 21 | | 275057005 | ROTOR ASSEMBLY | 1 | |
| 22 | | 236219029 | MANIFOLD | 1 | |
| 23 | | 236219031 | COMMUTATOR ASSEMBLY | 1 | |
| 24 | | 236219033 | PISTON-ENDCOVER | 1 | |
| 25 | | 236219035 | SPRING-PISTON | 1 | |
| 26 | | 236219037 | ENDCOVER | 1 | |
| 27 | | NSS | I.D. TAG ASSEMBLY | 1 | |
| 28 | | 275057007 | BOLTS ASSEMBLY | 7 | |
| 29 | | 240349029 | SHAFT | 1 | |
| 30 | | 240349031 | RING-WIRE | 1 | |
| | | | | | |
| | | 240349003 | SEAL KIT | 1 | INC. REF. 1-11 |
| | | 275057001 | MOTOR -56CU IN HYDRAULIC | | Includes All Items In Figure |
| | | 282092001 | MOTOR -56CU IN HYDRAULIC | | Includes All Items In Figure |
| | | NSS | Not Sold Separately | | |
| | | Note: | The only difference between the two motors in this figure is the placement (rotation) of the end cap ref no 26. | | |
| | | | | | |

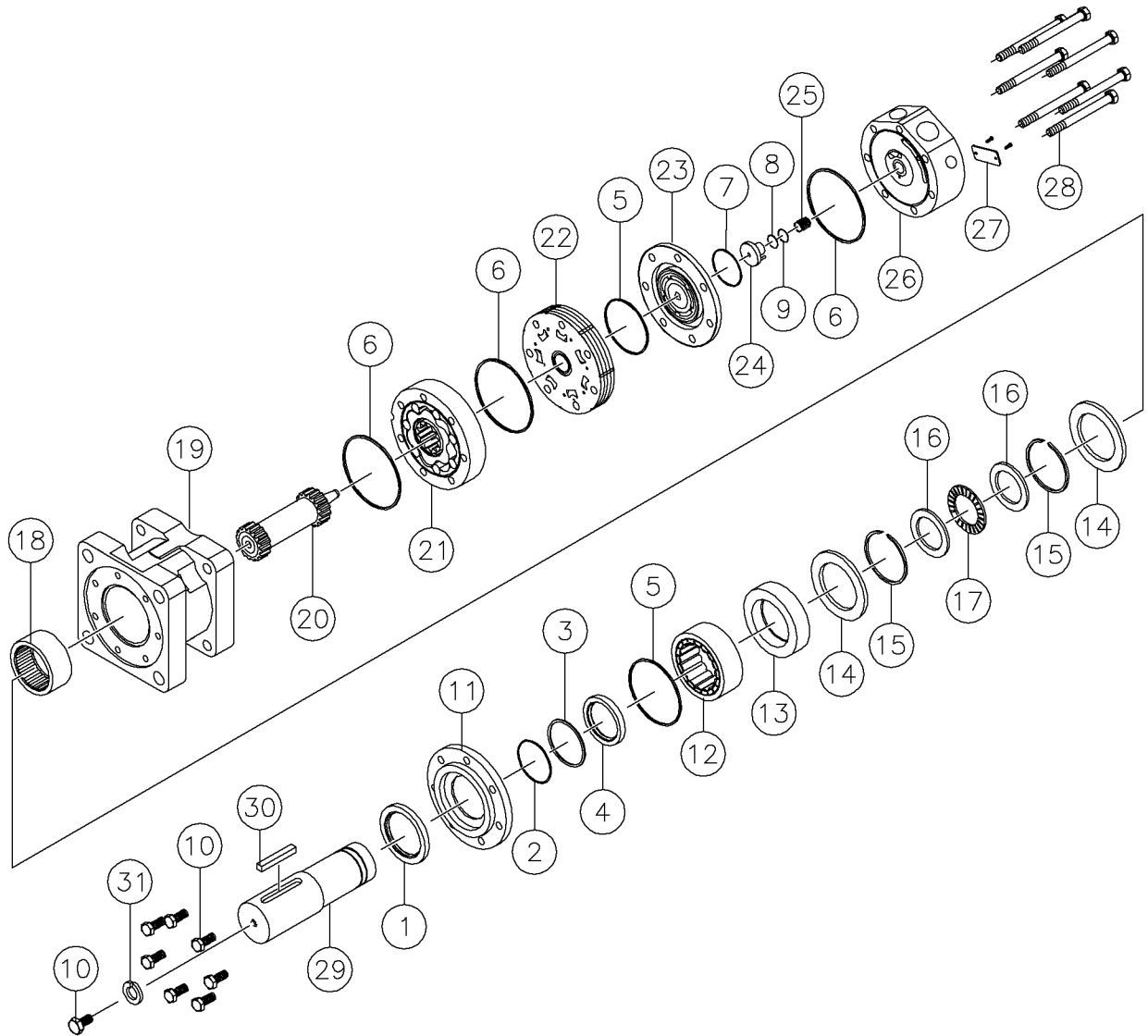
Hyd Motor Components - 46 Cu. In. (S/N 944-) Fig 2-50



Hyd Motor Components - 46 Cu. In. (S/N 944-) Fig 2-50

| REF. NO. | * | PART NO. | DESCRIPTION | QTY. | REMARKS |
|----------|---|---------------|---|------|------------------------------|
| | | Revision Date | August, 1999 | | |
| 1 | | NSS | SEAL-DUST | 1 | |
| 2 | | NSS | SEAL-HIGH PRESSURE | 1 | |
| 3 | | NSS | SHIM-METAL BACKUP | 1 | |
| 4 | | NSS | SEAL-TEFLON BACKUP | 1 | |
| 5 | | NSS | SEAL-SHAFT | 1 | |
| 6 | | NSS | SEAL-HOUSING | 1 | |
| 7 | | NSS | SEAL-BODY | 3 | |
| 8 | | NSS | SEAL-MANIFOLD | 1 | |
| 9 | | NSS | SEAL-COMMUTATOR | 1 | |
| 10 | | NSS | SEAL-O-RING | 1 | |
| 11 | | NSS | SEAL-TEFLON BACKUP | 1 | |
| 12 | | 240349005 | SNAP RING | 1 | |
| 13 | | 240349007 | SPACER-BEARING | 1 | |
| 14 | | 240349009 | BEARING-1.5 | 1 | |
| 15 | | 240349011 | WASHER-THRUST | 2 | |
| 16 | | 240349013 | BEARING-THRUST | 1 | |
| 17 | | 240349015 | HOUSING | 1 | Inc Ref No 18 |
| 18 | | 240349017 | BEARING-REAR HOUSING | 1 | |
| 19 | | 275057003 | DRIVE LINK | 1 | |
| 20 | | 240349021 | PLATE-DIVIDER | 1 | |
| 21 | | 275057005 | ROTOR ASSEMBLY | 1 | |
| 22 | | 240349025 | MANIFOLD | 1 | |
| 23 | | 236219031 | COMMUTATOR ASSEMBLY | 1 | |
| 24 | | 236219033 | PISTON-ENDCOVER | 1 | |
| 25 | | 236219035 | SPRING-PISTON | 1 | |
| 26 | | 236219037 | ENDCOVER | 1 | Inc Ref No's 10, 11, 24 & 25 |
| 27 | | 240349029 | SHAFT | 1 | Inc Ref No 29 |
| 28 | | 275057007 | BOLTS ASSEMBLY (7) | 1 | |
| 29 | | 240349031 | RING-WIRE | 1 | |
| | | | | | |
| | | 275057001 | MOTOR -56 CU IN HYDRAULIC | | Includes All Items In Figure |
| | * | 282092001 | MOTOR-56 CU IN HYD | | Includes All Items In Figure |
| | | 240349003 | SEAL KIT (INC. REF. 1-11) | | |
| | | NSS | NOT SOLD SEPARATELY | | |
| | * | Note: | The Only Difference Between The Two Motors In This Figure Is The Placement (Rotation) Of The End Cap Ref No 26. | | |

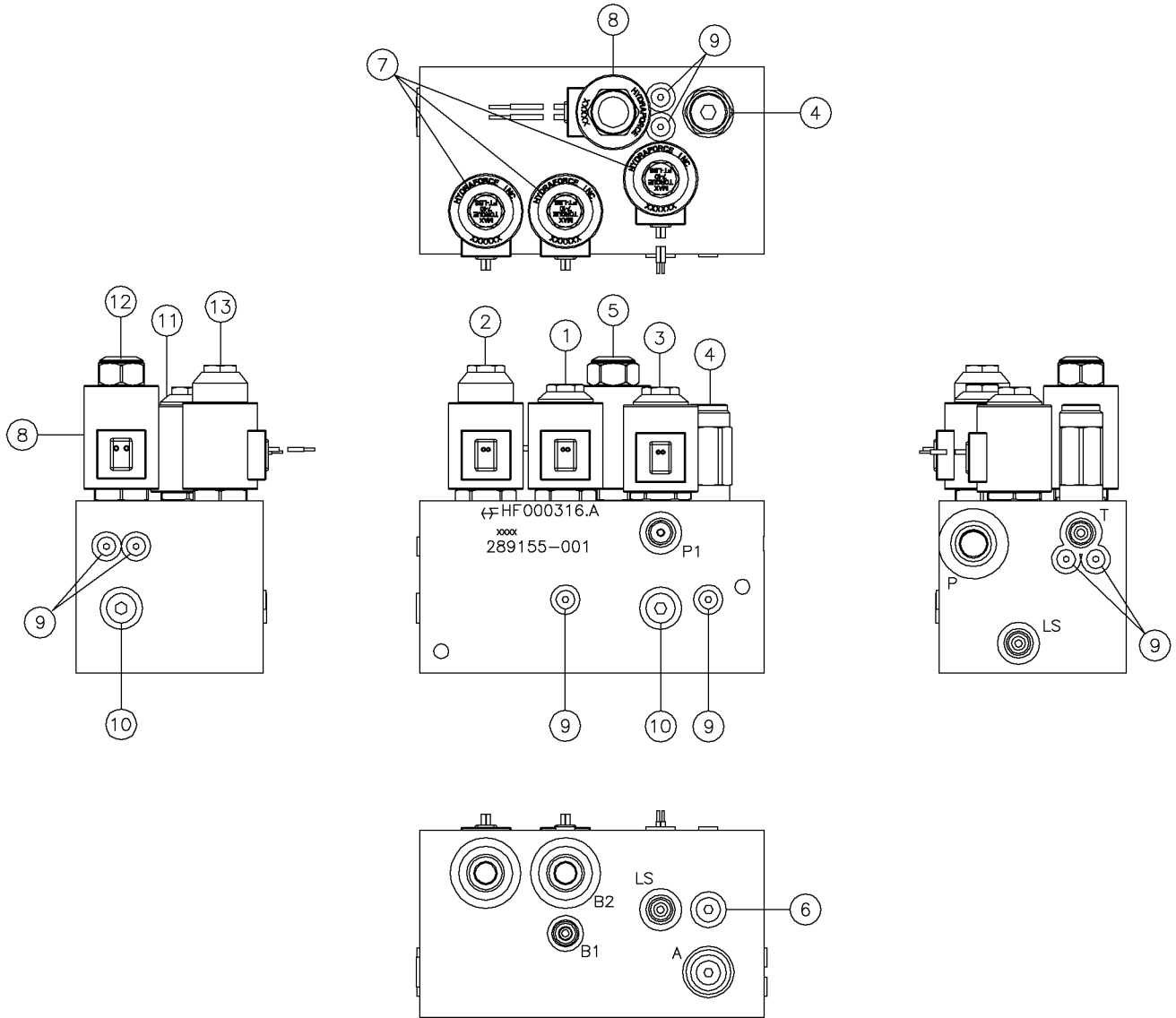
Hyd Motor Components - 56 Cu. In. (S/N 944-) Fig 2-51



Hyd Motor Components - 56 Cu. In. (S/N 944-) Fig 2-51

| REF. NO. | * | PART NO. | DESCRIPTION | QTY. | REMARKS |
|----------|---|---------------|---|------|-------------------------------|
| | | Revision Date | July, 2002 | | Addition To Manual |
| 1 | | NSS | SEAL-DUST | 1 | |
| 2 | | NSS | SHIM-METAL BACKUP | 1 | |
| 3 | | NSS | SEAL-TEFLON BACKUP | 1 | |
| 4 | | NSS | SEAL-SHAFT | 1 | |
| 5 | | NSS | SEAL-LATHE CUT | 2 | |
| 6 | | NSS | SEAL-BODY | 3 | |
| 7 | | NSS | SEAL-COMMUTATOR | 1 | |
| 8 | | NSS | SEAL-O-RING | 1 | |
| 9 | | NSS | SEAL-TEFLON BACKUP | 1 | |
| 10 | | 383010 | BOLT-1/2-20X1 GR.8 HEX HEAD | 8 | |
| 11 | | 236219007 | RING-PILOT | 1 | |
| 12 | | 236219009 | BEARING-2 1/2" ROLLER | 1 | |
| 13 | | 236219011 | SPACER-BEARING | 1 | |
| 14 | | 236219013 | WASHER-RETAINING | 2 | |
| 15 | | 236219015 | SNAP RING | 2 | |
| 16 | | 236219017 | WASHER-THRUST | 2 | |
| 17 | | 236219019 | BEARING-THRUST | 1 | |
| 18 | | 236219021 | BEARING-REAR HOUSING | 1 | |
| 19 | | 236219023 | HOUSING | 1 | |
| 20 | | 275057003 | DRIVE LINK | 1 | |
| 21 | | 275057005 | ROTOR ASSEMBLY | 1 | |
| 22 | | 236219029 | MANIFOLD | 1 | |
| 23 | | 236219031 | COMMUTATOR ASSEMBLY | 1 | |
| 24 | | 236219033 | PISTON-ENDCOVER | 1 | |
| 25 | | 236219035 | SPRING-PISTON | 1 | |
| 26 | | 236219037 | ENDCOVER | 1 | Inc. Ref. 8, 9, 24, & 25 |
| 27 | | NSS | I.D. TAG ASSEMBLY | 1 | |
| 28 | | 275057007 | BOLTS ASSEMBLY (7) | 1 | |
| 29 | | 236219041 | SHAFT-ASSEMBLY | 1 | Inc. Ref. 1-5, 10-17, & 29-31 |
| 30 | | 236219005 | KEY-SHAFT | 1 | |
| 31 | | 480011 | WASHER-1/2 S/T LOCK REF TR00288 | 1 | |
| | | | | | |
| | | 236219003 | SEAL KIT-HYD. MOTOR | | Inc. Ref. 1-9 |
| | | 289053001 | MOTOR-56 CU IN HYDRAULIC R | | Inc. All Items In Figure |
| | | 289054001 | MOTOR-56 CU IN HYDRAULIC L | | Inc. All Items In Figure |
| | | Note: | The Only Difference Between The Two Motors In This Figure Is The Placement (rotation) Of The End Cap Ref No 26. | | |

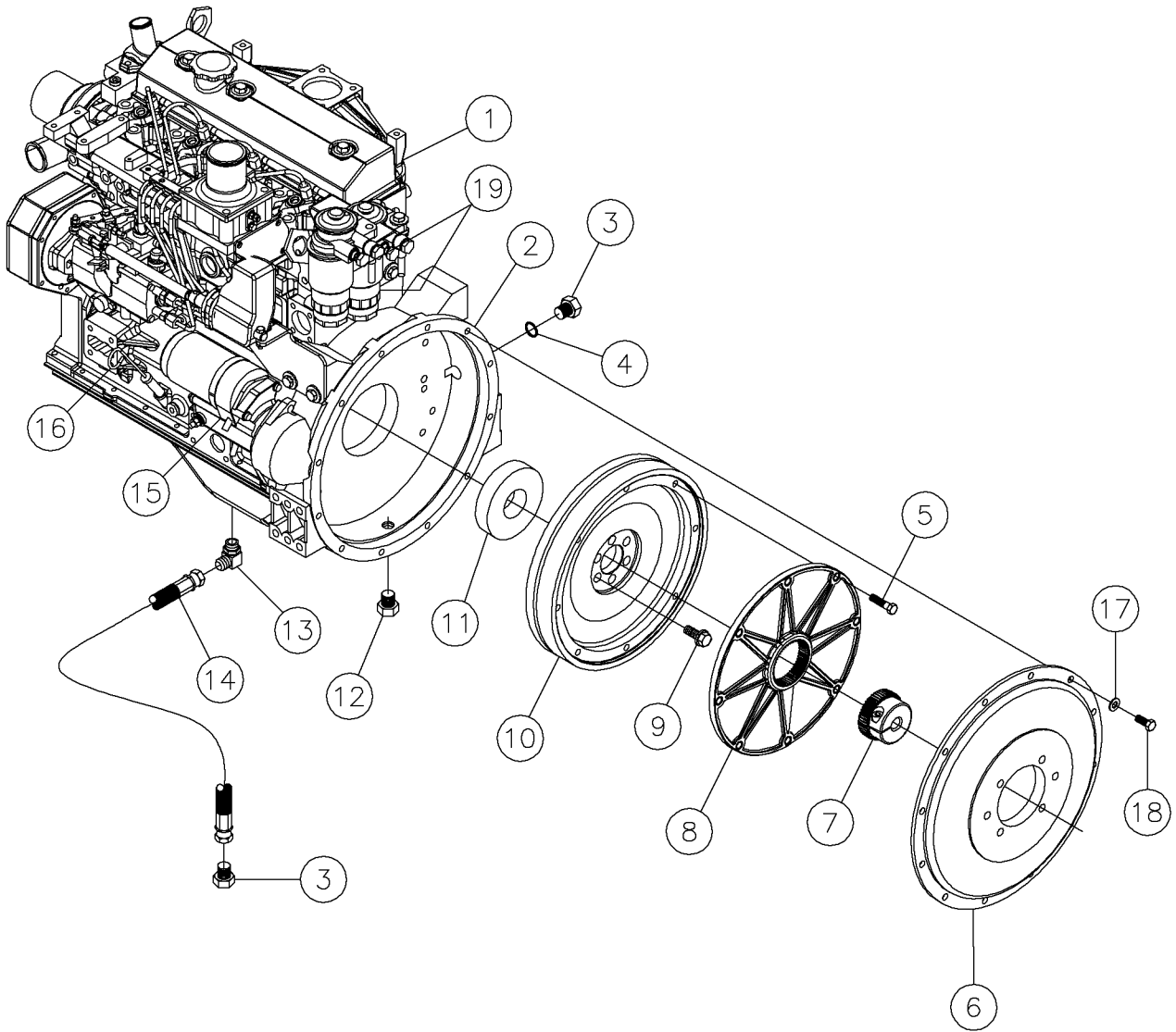
Valve Components - Proportional/Dump Fig 2-52



Valve Components - Proportional/Dump Fig 2-52

| REF. NO. | * | PART NO. | DESCRIPTION | QTY. | REMARKS |
|----------|---|---------------|---|------|------------------------------|
| | | Revision Date | May, 2006 | | Addition To Manual |
| 1 | | 282520002 | POPPET - 2 WAY N/C | 1 | |
| | | 282520001 | VALVE - PROPORTIONAL | 1 | |
| 2 | | 279359004 | POPPET - 2-WAY NORMALLY OPEN | 1 | |
| | | 279111001 | SEAL KIT | 1 | |
| 3 | | 282520004 | POPPET - 2 WAY N/C | 1 | |
| | | 240324005 | SEAL KIT | 1 | |
| 4 | | 282520005 | PRESSURE REDUCER / RELIEVING | 1 | |
| | | 282520010 | SEAL KIT (subs to 236316005) | 1 | |
| 5 | | 282862004 | PROPORTIONAL FLOW CONTROL | 1 | |
| | | 296251250 | SEAL KIT | 1 | |
| 6 | | 282520007 | CHECK VALVE | 1 | |
| | | 282520012 | SEAL KIT | 1 | |
| 7 | | 251112005 | COIL - 10 DL 12V/SPL | 3 | |
| 8 | | 282520003 | SOLENOID - #10 W/LEADS DEUTSCH SOCKETS | 1 | |
| 9 | | 240324015 | PLUG-SAE | 8 | |
| | | 240324017 | SEAL KIT | 8 | |
| 10 | | 500659021 | SAE PLUG | 2 | |
| | | 228128015 | SEAL KIT | 2 | |
| 11 | | 280624001 | NUT - RAIN PROOF COIL | 2 | |
| 12 | | 240324019 | NUT-COIL | 1 | |
| 13 | | 282520019 | COIL NUT | 1 | |
| | | | | | |
| | | 289155001 | VALVE - PROPORTIONAL HF000316.A W/ FITTINGS | | Includes All Items In Figure |

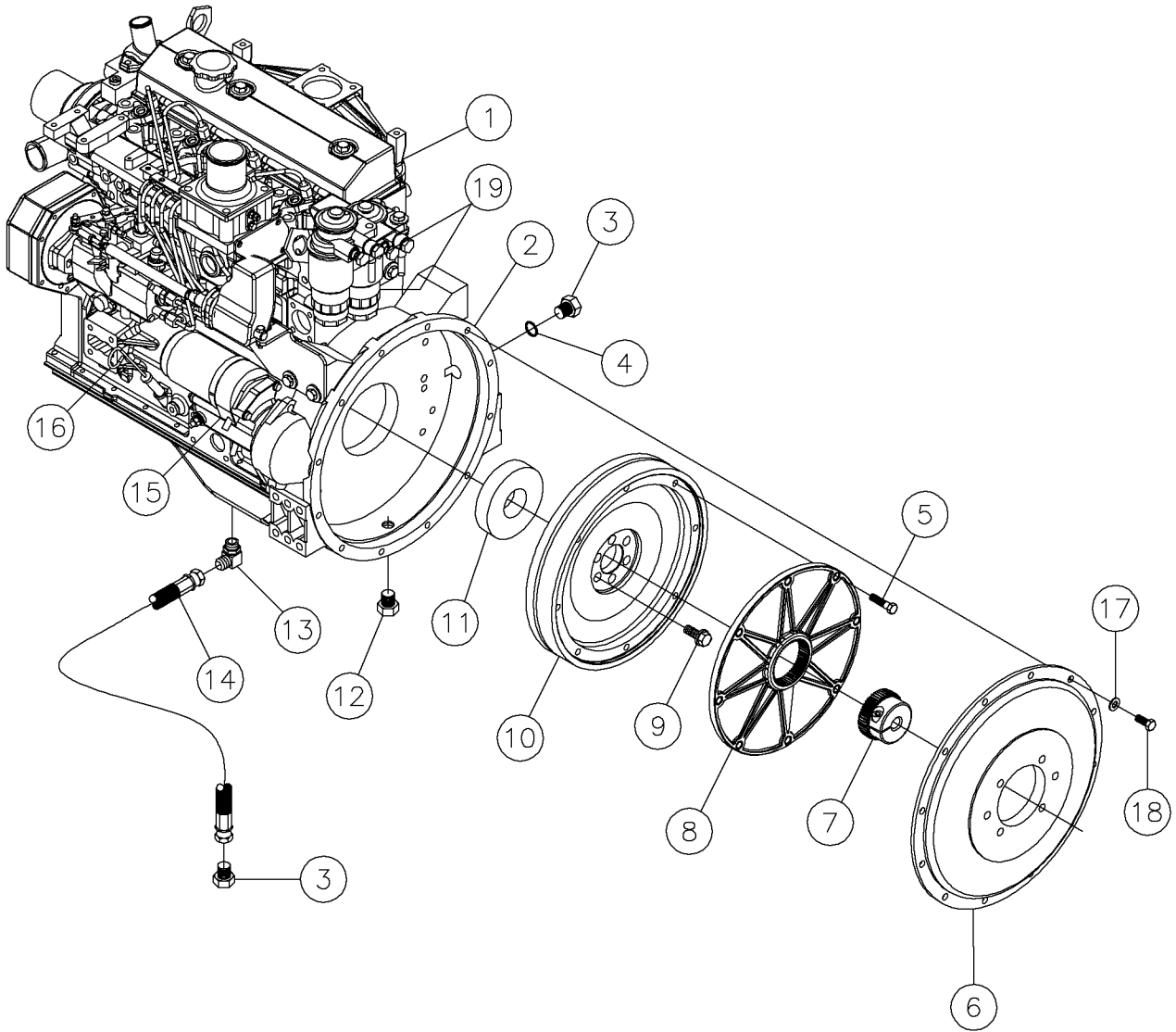
Engine Components Fig 3-1r06



Engine Components Fig 3-1r06

| REF. NO. | * | PART NO. | DESCRIPTION | QTY. | REMARKS |
|----------|---|---------------|--|------|--------------------------------------|
| | | Revision Date | May, 2006 | | Update In Illustration & Parts List. |
| 1 | | 296274501 | ENGINE - CUMMINS 3.3L 65HP | 1 | *S/N 1171, 1202 & Up |
| 2 | | 154902001 | FLYWHEEL - HOUSING, CUMMINS | 1 | * |
| 3 | | 154938001 | PLUG - OIL PAN | 2 | * |
| 4 | | 154939001 | WASHER - DRAIN PLUG | 1 | * |
| 5 | | 296278009 | HARDWARE KIT | 1 | *(INC. ITEMS 17 & 18) |
| 6 | | 296278006 | HOUSING FLYWHEEL ENCLOSER | 1 | * |
| 7 | | 296274507 | HUB - 13T ADAPTER | 1 | |
| 8 | | 296278007 | FLANGE - 10" | 1 | * |
| 9 | | 154941001 | BOLT - FLYWHEEL | 6 | * |
| 10 | | 154904001 | FLYWHEEL - CUMMINS 3.3L | 1 | * |
| 11 | | 296278008 | OIL SEAL | 1 | * |
| 12 | | 296278010 | PLUG | 1 | * |
| 13 | | 53837001 | FITTING - 8M O-RING X 8M JIC 90 DEGREE | 1 | |
| 14 | | 296067001 | HOSE-HYD-.50 X 24 8FSJ ST/ST 3000PSI | 1 | |
| 15 | | 296278005 | STARTER | 1 | * |
| 16 | | 154907001 | DIPSTICK - RIGHT SIDE, SHORT | 1 | * |
| 17 | | NSS | WASHER | 12 | NOT SOLD SEPARATELY |
| 18 | | NSS | SCREW | 12 | NOT SOLD SEPARATELY |
| 19 | | 296260800 | FUEL FILTER | 1 | |
| | | | | | |
| | | | NOTE: * ITEMS WARRANTED BY AUTHORIZED CUMMINS DEALER | | |

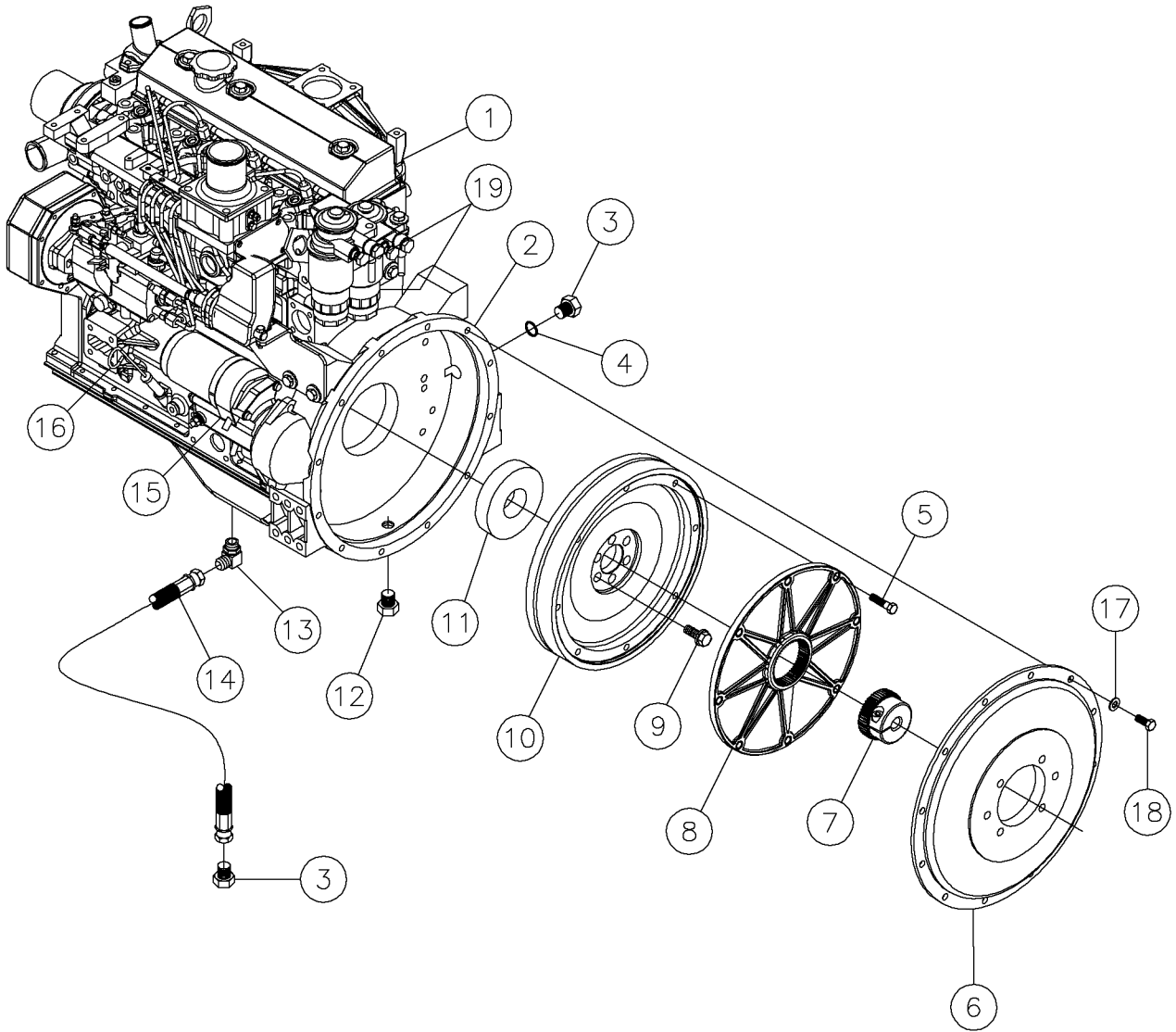
Engine Components Fig 3-1r05



Engine Components Fig 3-1r05

| REF. NO. | * | PART NO. | DESCRIPTION | QTY. | REMARKS |
|----------|---|---------------|--|------|-----------------------|
| | | Revision Date | May, 2005 | | Update In Parts List. |
| 1 | | 296274501 | ENGINE - CUMMINS 3.3L 65HP | 1 | * |
| 2 | | 154902001 | FLYWHEEL - HOUSING, CUMMINS | 1 | * |
| 3 | | 154938001 | PLUG - OIL PAN | 2 | * |
| 4 | | 154939001 | WASHER - DRAIN PLUG | 1 | * |
| 5 | | 296278009 | HARDWARE KIT | 1 | *(INC. ITEMS 17 & 18) |
| 6 | | 296278006 | HOUSING FLYWHEEL ENCLOSER | 1 | * |
| 7 | | 296274507 | HUB - 13T ADAPTER | 1 | |
| 8 | | 296278007 | FLANGE - 10" | 1 | * |
| 9 | | 154941001 | BOLT - FLYWHEEL | 6 | * |
| 10 | | 154904001 | FLYWHEEL - CUMMINS 3.3L | 1 | * |
| 11 | | 296278008 | OIL SEAL | 1 | * |
| 12 | | 296278010 | PLUG | 1 | * |
| 13 | | 53837001 | FITTING - 8M O-RING X 8M JIC 90 DEGREE | 1 | |
| 14 | | 296067001 | HOSE-HYD-.50 X 24 8FSJ ST/ST 3000PSI | 1 | |
| 15 | | 296278005 | STARTER | 1 | * |
| 16 | | 154907001 | DIPSTICK - RIGHT SIDE, SHORT | 1 | * |
| 17 | | NSS | WASHER | 12 | NOT SOLD SEPARATELY |
| 18 | | NSS | SCREW | 12 | NOT SOLD SEPARATELY |
| 19 | | 154978001 | FILTER - FUEL | 1 | |
| | | | | | |
| | | | NOTE: * ITEMS WARRANTED BY AUTHORIZED CUMMINS DEALER | | |

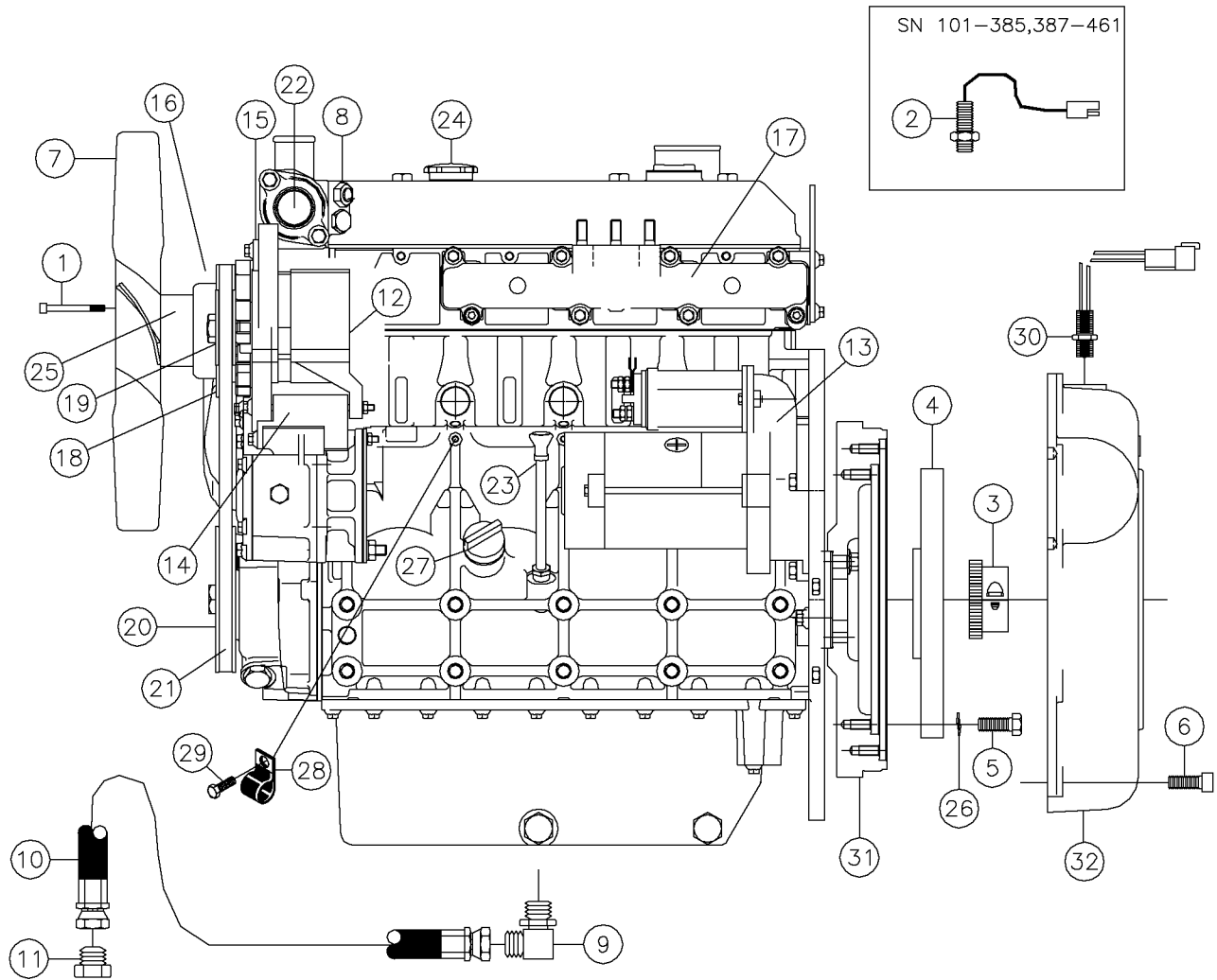
Engine Components Fig 3-1r04



Engine Components Fig 3-1r04

| REF. NO. | * | PART NO. | DESCRIPTION | QTY. | REMARKS |
|----------|---|---------------|--|------|--------------------------------------|
| | | Revision Date | September, 2004 | | Update In Illustration & Parts List. |
| 1 | | 296274501 | ENGINE - CUMMINS 3.3L 65HP | 1 | * |
| 2 | | 154902001 | FLYWHEEL - HOUSING, CUMMINS | 1 | * |
| 3 | | 154938001 | PLUG - OIL PAN | 2 | * |
| 4 | | 154939001 | WASHER - DRAIN PLUG | 1 | * |
| 5 | | 296278009 | HARDWARE KIT | 1 | *(INC. ITEMS 17 & 18) |
| 6 | | 296278006 | HOUSING FLYWHEEL ENCLOSER | 1 | * |
| 7 | | 296274507 | HUB - 13T ADAPTER | 1 | |
| 8 | | 296278007 | FLANGE - 10" | 1 | * |
| 9 | | 154941001 | BOLT - FLYWHEEL | 6 | * |
| 10 | | 154904001 | FLYWHEEL - CUMMINS 3.3L | 1 | * |
| 11 | | 296278008 | OIL SEAL | 1 | * |
| 12 | | 296278010 | PLUG | 1 | * |
| 13 | | 53837001 | FITTING - 8M O-RING X 8M JIC 90 DEGREE | 1 | |
| 14 | | 53844291 | HOSE-1/2X26 8FS JIC 2000 PSI | 1 | |
| 15 | | 296278005 | STARTER | 1 | * |
| 16 | | 154907001 | DIPSTICK - RIGHT SIDE, SHORT | 1 | * |
| 17 | | NSS | WASHER | 12 | NOT SOLD SEPARATELY |
| 18 | | NSS | SCREW | 12 | NOT SOLD SEPARATELY |
| 19 | | 154978001 | FILTER - FUEL | 1 | |
| | | | | | |
| | | | NOTE: * ITEMS WARRANTED BY AUTHORIZED CUMMINS DEALER | | |

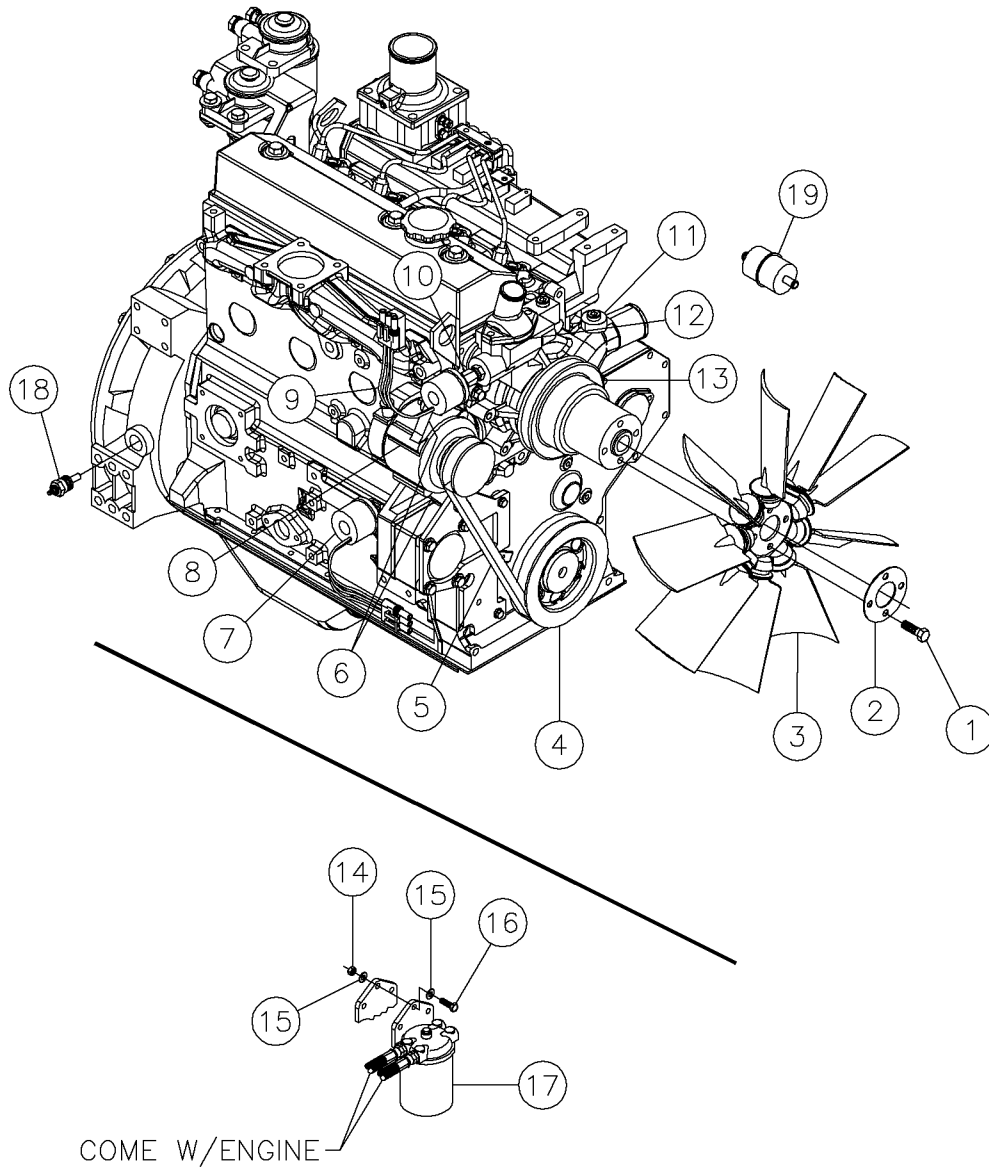
Engine Components Fig 3-1r03



Engine Components Fig 3-1r03

| REF. NO. | * | PART NO. | DESCRIPTION | QTY. | REMARKS |
|----------|---|---------------|---|------|--------------------------------------|
| | | Revision Date | July, 2002 | | Update In Illustration & Parts List. |
| | | W By P | Items Warranted By Authorized Perkins Dealers | | |
| 1 | | 251570003 | BOLT -6M X 2 | 4 | W By P |
| 2 | | 141468001 | MAGNETIC-PICKUP-16MM | 1 | S/N 101-385, 387-461, W By P |
| 3 | | 904570001 | BOWEX M-42 HUB | 1 | W By P |
| 4 | | 251570005 | FLANGE | 1 | W By P |
| 5 | | 251570059 | BOLT | 6 | W By P |
| 6 | | 250539001 | BOLT-7/16-14 X GR 8 HEX Y/ZI | 7 | W By P |
| 7 | | 251500001 | FAN-BLOWER 16" | 1 | |
| 8 | | 251570007 | SWITCH - TEMP | 1 | W By P |
| 9 | | 53837001 | #8M O-RING-#8M JIC 90 DEG | 1 | W By P |
| 10 | * | 53844291 | HOSE-1/2X26 8FS JIC 2000 PSI | 1 | W By P |
| 11 | | 83637001 | PLUG-#8 JIC MALE | 1 | W By P |
| 12 | | 251570009 | ALTERNATOR | 1 | W By P |
| 13 | | 251570011 | STARTER | 1 | W By P |
| 14 | | 251570013 | BRACKET - ALTERNATOR | 1 | W By P |
| 15 | | 251570015 | STRAP - ALTERNATOR TIGHENER | 1 | W By P |
| 16 | | 251570017 | PUMP - WATER | 1 | W By P |
| 16 | | 251570019 | GASKET - WATER PUMP | 1 | W By P |
| 17 | | 251570021 | MANIFOLD | 1 | W By P |
| 17 | | 251570023 | GASKET - MANIFOLD | 4 | W By P |
| 18 | | 251570025 | PULLEY-WATER PUMP | 1 | W By P |
| 19 | | 251570027 | PULLEY - ALTERNATOR | 1 | W By P |
| 20 | | 251570029 | PULLEY - CRANKSHAFT | 1 | W By P |
| 21 | | 251570031 | BELT | 1 | W By P |
| 22 | | 82172001 | THERMOSTAT-#2485613 | 1 | W By P |
| 22 | | 251570033 | GASKET-THERMOSTAT | 1 | W By P |
| 23 | | 142918001 | TUBE DIPSTICK | 1 | W By P |
| 23 | | 251570035 | DIPSTICK | 1 | W By P |
| 24 | | 251570037 | CAP-OIL FILL | 1 | W By P |
| 25 | | 251570039 | SPACER - FAN | 1 | W By P |
| 26 | | 251570057 | WASHER | 6 | W By P |
| 27 | | 251570063 | O-RING - OIL FILL CAP | 1 | W By P |
| 27 | | 251570061 | CAP - OIL FILL | 1 | W By P |
| 28 | * | 2595001 | HOSE CLAMP - TS7FR 1/2" REF T15802 | 1 | |
| 29 | | 506031001 | SCREW-HCS, HCS M6-100X8, 88 YZ | 1 | |
| 30 | | 282529001 | MAGNETIC-PICKUP 16MM | 1 | S/N 386, 462- |
| 31 | * | 296251866 | FLYWHEEL W/RING GEAR | | W By P |
| | * | 296251867 | RING GEAR | | W By P |
| 32 | * | 296251868 | BELL HOUSING | | W By P |

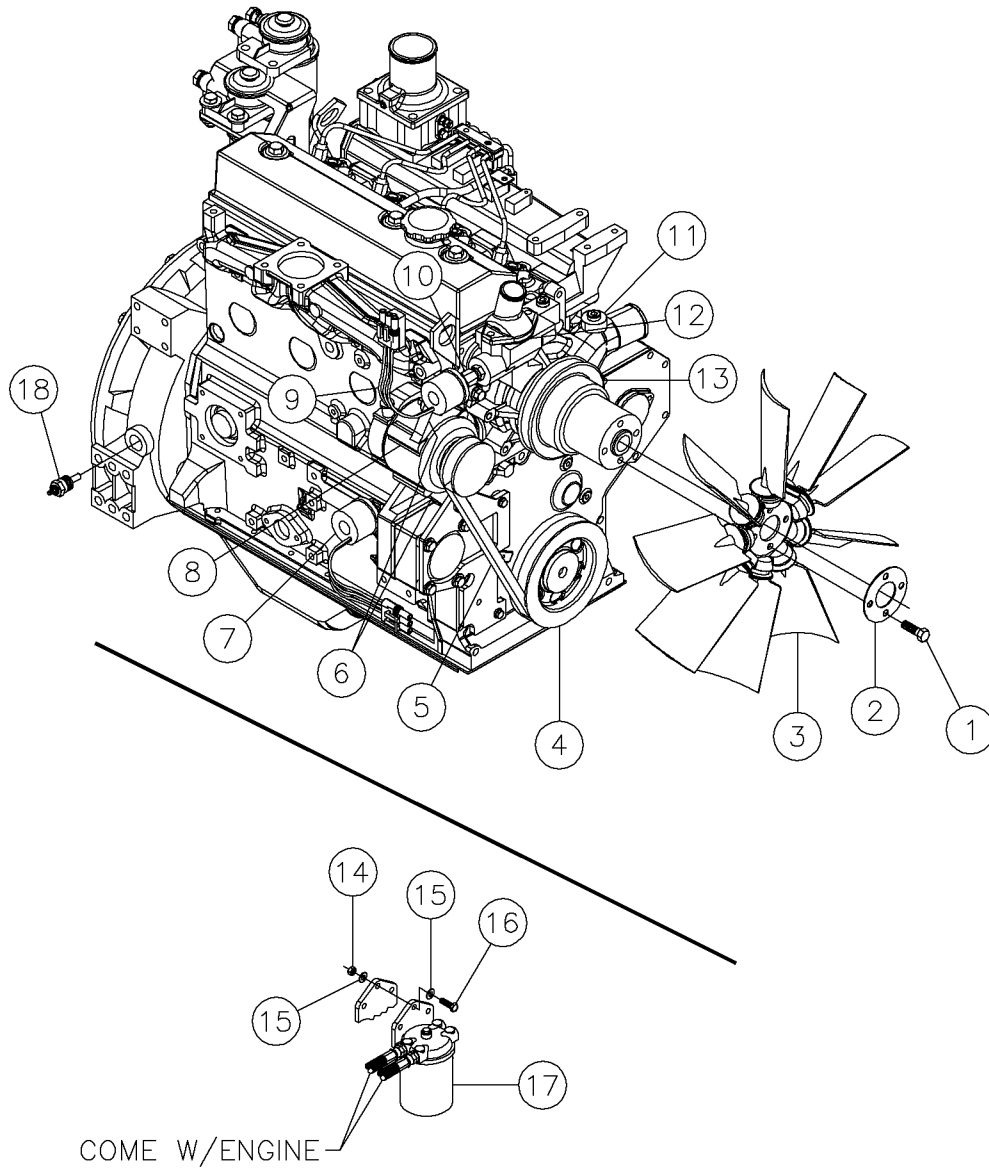
Engine Components Fig 3-2r07



Engine Components Fig 3-2r07

| REF. NO. | * | PART NO. | DESCRIPTION | QTY. | REMARKS |
|----------|---|---------------|--|------|--------------------------------------|
| | | Revision Date | May, 2006 | | Update In Illustration & Parts List. |
| 1 | | 507611040 | SCREW-HFS,M8-1.25X40,10.9,YZ,D6921,PT | 4 | * |
| 2 | | 154959001 | WASHER - FAN | 1 | |
| 3 | | 296274523 | FAN - 16" | 1 | |
| 4 | | 296278011 | CRANKSHAFT PULLEY | 1 | * |
| 5 | | 296285194 | BELT | 1 | * |
| 6 | | 154947001 | BRACKET - ALTERNATOR, UPPER | 1 | * |
| | | 154948001 | BRACKET - ALTERNATOR, LOWER | 1 | * |
| 7 | | 98678001 | SWITCH-PRESSURE SIN POLE 9 PSI | 1 | |
| 8 | | 156324001 | ALTERNATOR | 1 | * |
| 9 | | 227965001 | SWITCH-TEMPERATURE (220F) | 1 | |
| 10 | | 730005 | FITTING-BSHG-8MNPT-6FNPT-HEX | 1 | |
| 11 | | 154949001 | WATER PUMP | 1 | * |
| | | 154950001 | GASKET - WATER PUMP | 1 | * |
| 12 | | 154954001 | THERMOSTAT | 1 | * |
| | | 154956001 | GASKET - THERMOSTAT | 1 | * |
| 13 | | 154935001 | FAN PULLEY | 1 | * |
| 14 | | 235732001 | NUT - HEX - .25 - 20 - GR8 - YZ | 3 | |
| 15 | | 235716001 | WASHER - FLATSTRL - .25 -.28 X .63 - .06 - CZ | 6 | |
| 16 | | 235735001 | BOLT-1/4-20X1 GR8 HEX ZNC PLTD | 3 | |
| 17 | | 154908001 | OIL FILTER - CUMMINS 3.3L | 1 | * |
| 18 | | 153101001 | MAGNETIC PICKUP | 1 | |
| 19 | | 102995001 | STRAINER | 1 | |
| | | | NOTE: * ITEMS WARRANTED BY AUTHORIZED CUMMINS DEALER | | |

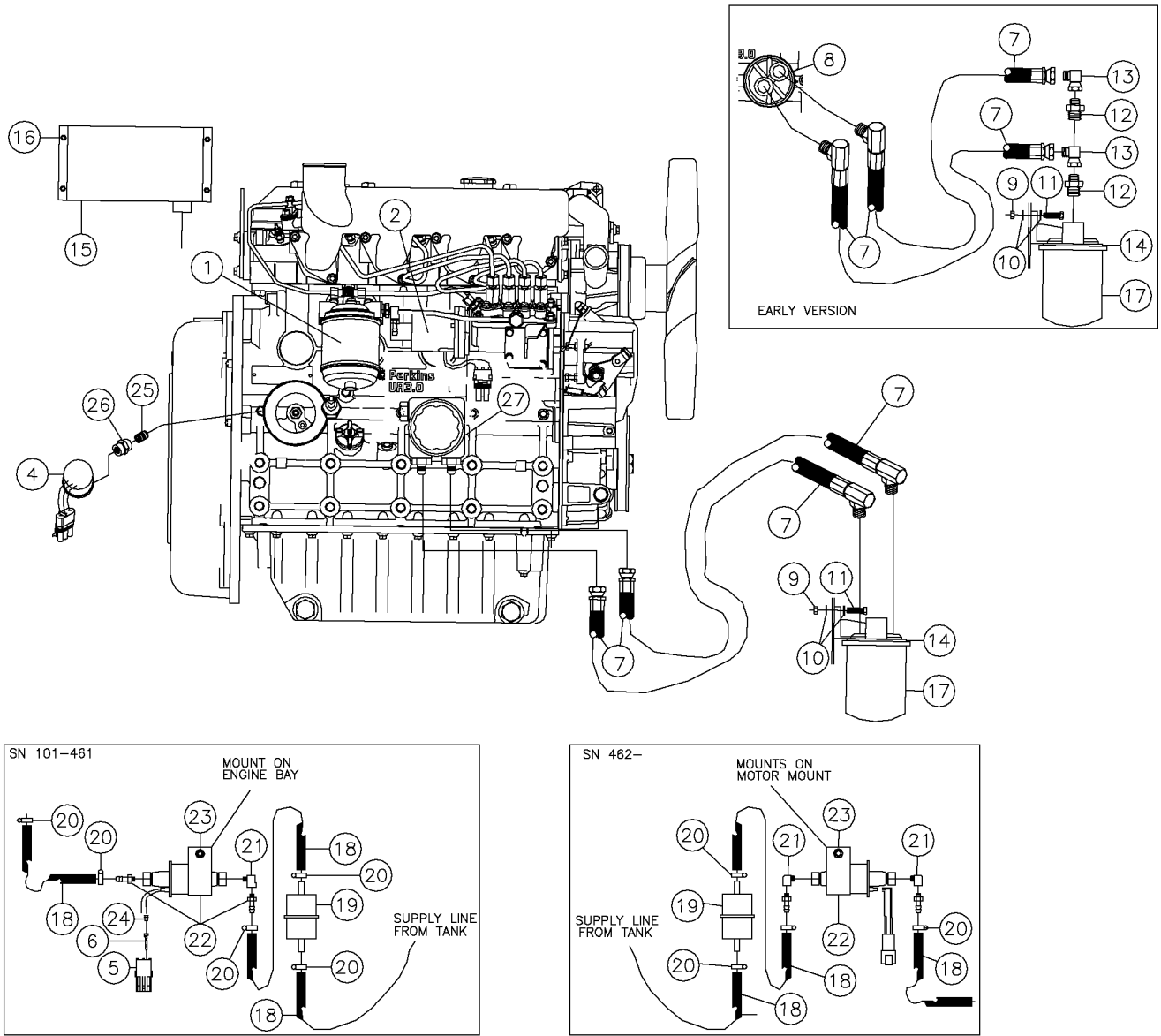
Engine Components Fig 3-2r06



Engine Components Fig 3-2r06

| REF. NO. | * | PART NO. | DESCRIPTION | QTY. | REMARKS |
|----------|---|-----------|--|------|---------|
| 1 | | 507611040 | SCREW-HFS,M8-1.25X40,10.9,YZ,D6921,PT | 4 | * |
| 2 | | 154959001 | WASHER - FAN | 1 | |
| 3 | | 296274523 | FAN - 16" | 1 | |
| 4 | | 296278011 | CRANKSHAFT PULLEY | 1 | * |
| 5 | | 154951001 | BELT | 1 | * |
| 6 | | 154947001 | BRACKET - ALTERNATOR, UPPER | 1 | * |
| | | 154948001 | BRACKET - ALTERNATOR, LOWER | 1 | * |
| 7 | | 98678001 | SWITCH-PRESSURE SIN POLE 9 PSI | 1 | |
| 8 | | 156324001 | ALTERNATOR | 1 | * |
| 9 | | 227965001 | SWITCH-TEMPERATURE (220F) | 1 | |
| 10 | | 730005 | FITTING-BSHG-8MNPT-6FNPT-HEX | 1 | |
| 11 | | 154949001 | WATER PUMP | 1 | * |
| | | 154950001 | GASKET - WATER PUMP | 1 | * |
| 12 | | 154954001 | THERMOSTAT | 1 | * |
| | | 154956001 | GASKET - THERMOSTAT | 1 | * |
| 13 | | 154935001 | FAN PULLEY | 1 | * |
| 14 | | 235732001 | NUT - HEX - .25 - 20 - GR8 - YZ | 3 | |
| 15 | | 235716001 | WASHER - FLATSTRL - .25 -.28 X .63 - .06 - CZ | 6 | |
| 16 | | 235735001 | BOLT-1/4-20X1 GR8 HEX ZNC PLTD | 3 | |
| 17 | | 154908001 | OIL FILTER - CUMMINS 3.3L | 1 | * |
| 18 | | 153101001 | MAGNETIC PICKUP | 1 | |
| | | | | | |
| | | | NOTE: * ITEMS WARRANTED BY AUTHORIZED CUMMINS DEALER | | |

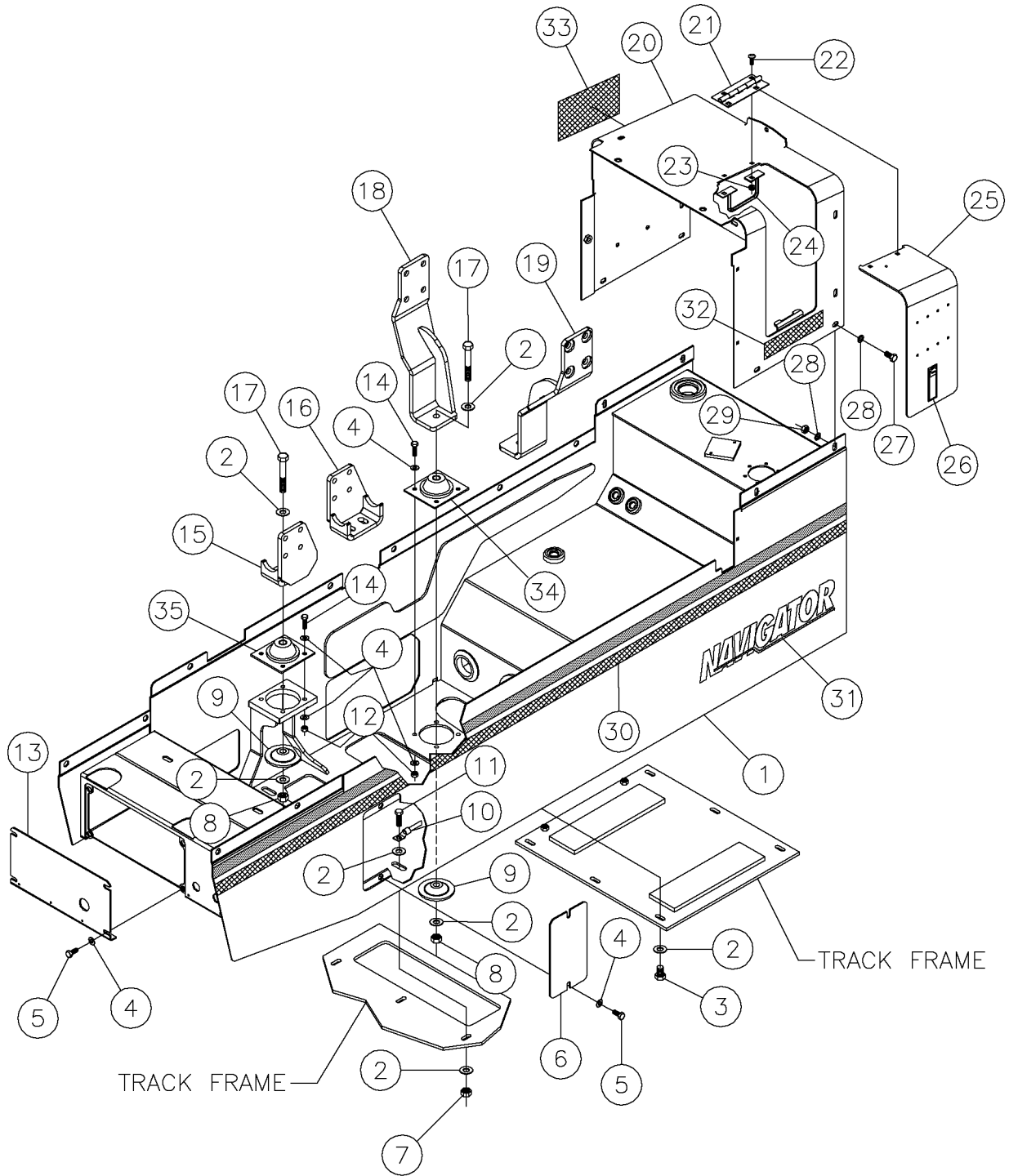
Engine Components Fig 3-2r05



Engine Components Fig 3-2r05

| REF. NO. | * | PART NO. | DESCRIPTION | QTY. | REMARKS |
|----------|---|---------------|---|------|-----------------------|
| | | Revision Date | July, 2002 | | Update In Parts List. |
| | | W By P | Items Warranted By Authorized Perkins Dealers | | |
| 1 | | 52746001 | FILTER-2656613 PERKINS | 1 | W By P |
| | | 142916001 | ELEMENT-FUEL FILTER | 1 | W By P |
| 2 | | 251570041 | SOLENOID-FUEL | 1 | W By P |
| | * | 296254613 | BOLT - M6 - 1.0 X 15 SOCK HD GR 8 | 4 | |
| 4 | | 98678001 | SWITCH-PRESSURE SIN POLE 9 PSI | 1 | W By P |
| 5 | | 91348001 | PLUG-W WAY | 1 | |
| 6 | | 79982001 | TERMINAL-MALE | 2 | |
| 7 | | 251682001 | HOSE-3/8 X 35-6F JIC 8M NPT 90 | 2 | |
| 8 | | 251570051 | ADAPTER-REMOTE OIL | 1 | W By P |
| 9 | | 235732001 | NUT-1/4 SAE GR8 ZINC PLTD | 3 | |
| 10 | | 235716001 | WASHER-1/4 SAE HARD ZINC PLTD | 6 | |
| 11 | | 235735001 | BOLT-1/4 20 X 1 GR8 HEX ZNC PLTD | 3 | |
| 12 | | 69933001 | FITTING-1/2M X 6M JIC STR | 2 | |
| 13 | | 60851001 | FITTING-6M JIC X 6FS JIC 90 ELBOW | 2 | |
| 14 | | 251570053 | HEAD-FILTER, REMOTE | 1 | W By P |
| 15 | | 251570065 | GOVERNOR - ELECTRONIC STEPLESS | 1 | W By P |
| 16 | | 1802006 | BOLT-10-24 X 3/4 RND HD STOVE | 4 | |
| | | 99042001 | NUT-10-24 NYLON INSERT LOCK | 4 | |
| 17 | | 251570055 | FILTER-OIL | 1 | |
| 18 | | 620001 | HOSE-5/16 FULE LINE | A/R | P/N Qty Of 1 = 1 Foot |
| 19 | | 102995001 | STRAINER | 1 | |
| 20 | | 1578001 | HOSE CLAMP - 1/4" | 5 | |
| 21 | | 4017001 | FITTING-3400 X 2 WTHR-RD | 2 | |
| 22 | | 275006001 | PUMP-FUEL | 1 | |
| 23 | | 235734001 | BOLT-1/4-20 X 3/4 GR8 ZINC PLTD | 1 | |
| | | 235716001 | WASHER-1/4 SAE HARD ZINC PLTD | 1 | S/N 101-461 |
| | | 235732001 | NUT-1/4-20 GR8 ZINC PLTD | 1 | |
| 24 | | 79983001 | SEAL | 2 | |
| 25 | | 4020001 | NIPPLE - 1/8" CLOSE | 1 | |
| 26 | | 279329001 | COUPLING-1/8" HEX | 1 | |
| 27 | | 251570066 | ADAPTER-REMOTE OIL | 1 | |
| | | 251570067 | CONNECTOR | 1 | |
| | | 251570068 | END CAP | 1 | |
| | | 251570069 | O-RING | 2 | |
| | | 251570070 | FLARED FITTING | 2 | |
| | | 251570071 | SEALING WASHER | 2 | |

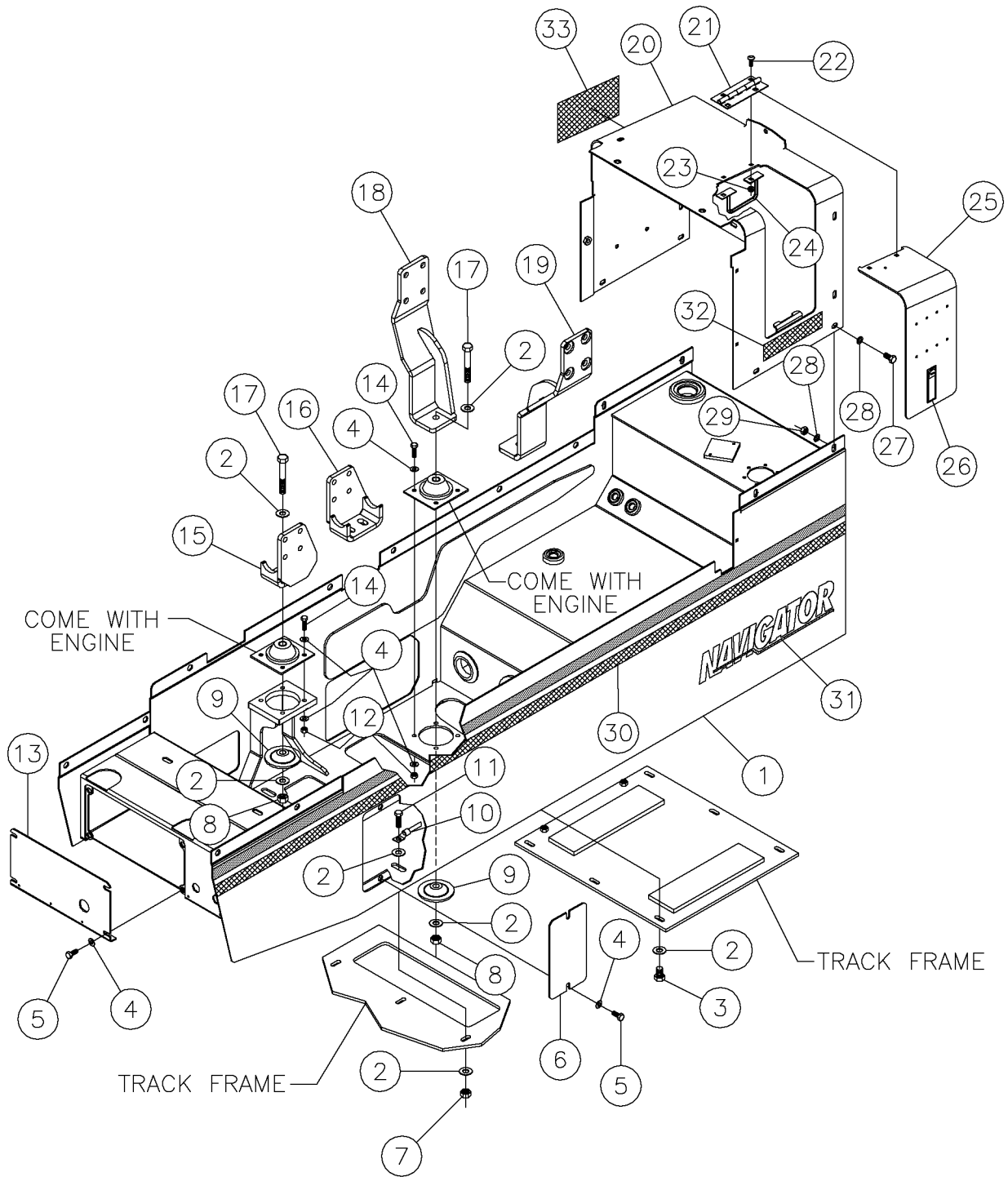
Engine Bay Fig 3-3r09



Engine Bay Fig 3-3r09

| REF. NO. | * | PART NO. | DESCRIPTION | QTY. | REMARKS |
|----------|---|---------------|---|------|--------------------------------------|
| | | Revision Date | May, 2006 | | Update In Illustration & Parts List. |
| 1 | | 296274510 | FRAME ASSEMBLY, ENGINE BAY | 1 | |
| 2 | | 485025 | WASHER-1/2 FLAT-HARDENED-YZ | 20 | |
| 3 | | 282102001 | BOLT - 1/2-20 X3/4 GR8 ZINC PLTD | 6 | |
| 4 | | 235714001 | WASHER - FLATSTRL - .31 - .34 X .69 - .06-YZ-A325 | 38 | |
| 5 | | 235742001 | BOLT-5/16-18X3/4 GR8 ZINC PLTD | 6 | |
| 6 | | 251410001 | PLATE-COVER | 1 | |
| 7 | | 250512001 | NUT- 1/2 NC Gr8 TOP LOCK Y/ ZINC | 3 | |
| 8 | | 75382001 | NUT-1/2-UNC GRADE 8 SLTL | 4 | |
| 9 | | 296274564 | SPACER - SNUBBER | 4 | |
| 10 | | 281548001 | CABLE - BATTERY 2 GA.X24" EYELET-EYELET | 4 | |
| 11 | | 235737001 | BOLT-1/2-13X1 1/4 GR8 ZINC PLT | 3 | |
| 12 | | 240333001 | NUT-5/16-18 GR8 TL ZINC PLTD | 16 | |
| 13 | | 251539001 | PANEL-MOUNTING | 1 | |
| 14 | | 248031001 | BOLT-5/16-18X1 1/4 GR8 ZINC PL | 16 | |
| 15 | | 296274547 | BRACKET ASSEMBLY - RH FRT ENGINE MOUNT | 1 | |
| 16 | | 296274543 | PLATE - ENGINE MOUNT | 1 | |
| 17 | | 240336001 | BOLT-1/2-13X3 1/4 GR8 ZINC PLT | 4 | |
| 18 | | 296274551 | SUPPORT ASSEMBLY - RH ENGINE | 1 | |
| 19 | | 296274550 | SUPPORT ASSEMBLY - LH ENGINE | 1 | |
| 20 | | 296274527 | SHROUD ASSY - CONTROL PANEL | 1 | |
| 21 | | 251524001 | HINGE - DOOR | 1 | |
| 22 | | 373005 | BOLT-1/4-20X5/8 GR5 CARRIAGE | 4 | |
| 23 | | 1809005 | NUT-1/4 SM FLGE T.L. | 4 | |
| 24 | | 249995001 | WELDMENT - CABLE GUIDE MOUNT | 1 | |
| 25 | | 289150001 | DOOR-CONTROL PANEL ACCESS | 1 | |
| 26 | | 218080001 | LATCH-ADJ.LEVER W/RAISED BUTTN(INC KEYS) | 1 | |
| | | 97874003 | KEYS | 1 | |
| 27 | | 235726001 | BOLT-3/8-16X3/4 GR8 HEX ZNCPLT | 4 | |
| 28 | | 235713001 | WASHER - FLATSTRL - .38 - .41 X .81 - .06-YA-A325 | 8 | |
| 29 | | 235725001 | NUT - HEX - .38 - 16 - GR8 - YZ | 4 | |
| 30 | | 70000775 | DECAL 3"VERMEER STRIPE | 1 | |
| 31 | | 70000614 | DECAL-MODEL NAVIGATOR (BIG) | 1 | |
| 32 | | 70000394 | DECAL-VERMEER HY POWER | 1 | |
| 33 | | 7000A576 | DECAL-DANGER | 1 | Domestic |
| | | 700IA576 | DECAL-DANGER | 1 | International |
| 34 | | 296285492 | ISOLATOR-CUMMINS REAR MOTOR MOUNT | 1 | Comes With Engine |
| 35 | | 296285491 | ISOLATOR-CUMMINS FRONT MOTOR MOUNT | 1 | Comes With Engine |

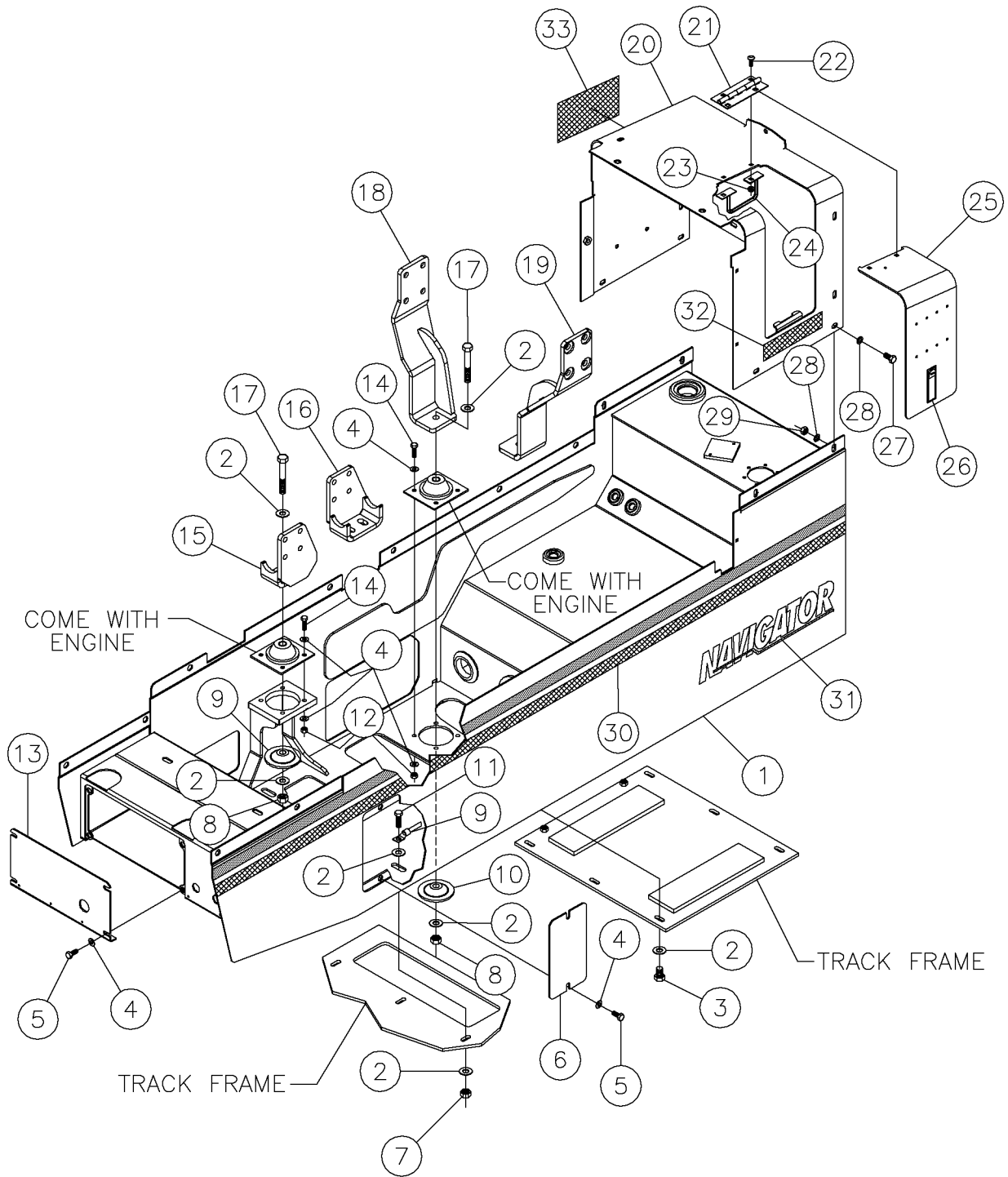
Engine Bay Fig 3-3r08



Engine Bay Fig 3-3r08

| REF. NO. | * | PART NO. | DESCRIPTION | QTY. | REMARKS |
|----------|---|---------------|---|------|-----------------------|
| | | Revision Date | May, 2005 | | Update In Parts List. |
| 1 | | 296274510 | FRAME ASSEMBLY, ENGINE BAY | 1 | |
| 2 | | 485025 | WASHER-1/2 FLAT-HARDENED-YZ | 20 | |
| 3 | | 282102001 | BOLT - 1/2-20 X3/4 GR8 ZINC PLTD | 6 | |
| 4 | | 235714001 | WASHER - FLATSTRL - .31 - .34 X .69 - .06-YZ-A325 | 38 | |
| 5 | | 235742001 | BOLT-5/16-18X3/4 GR8 ZINC PLTD | 6 | |
| 6 | | 251410001 | PLATE-COVER | 1 | |
| 7 | | 250512001 | NUT- 1/2 NC Gr8 TOP LOCK Y/ ZINC | 3 | |
| 8 | | 75382001 | NUT-1/2-UNC GRADE 8 SLTL | 4 | |
| 9 | | 296274564 | SPACER - SNUBBER | 4 | |
| 10 | | 281548001 | CABLE - BATTERY 2 GA.X24" EYELET-EYELET | 4 | |
| 11 | | 235737001 | BOLT-1/2-13X1 1/4 GR8 ZINC PLT | 3 | |
| 12 | | 240333001 | NUT-5/16-18 GR8 TL ZINC PLTD | 16 | |
| 13 | | 251539001 | PANEL-MOUNTING | 1 | |
| 14 | | 248031001 | BOLT-5/16-18X1 1/4 GR8 ZINC PL | 16 | |
| 15 | | 296274547 | BRACKET ASSEMBLY - RH FRT ENGINE MOUNT | 1 | |
| 16 | | 296274543 | PLATE - ENGINE MOUNT | 1 | |
| 17 | | 240336001 | BOLT-1/2-13X3 1/4 GR8 ZINC PLT | 4 | |
| 18 | | 296274551 | SUPPORT ASSEMBLY - RH ENGINE | 1 | |
| 19 | | 296274550 | SUPPORT ASSEMBLY - LH ENGINE | 1 | |
| 20 | | 296274527 | SHROUD ASSY - CONTROL PANEL | 1 | |
| 21 | | 251524001 | HINGE - DOOR | 1 | |
| 22 | | 373005 | BOLT-1/4-20X5/8 GR5 CARRIAGE | 4 | |
| 23 | | 1809005 | NUT-1/4 SM FLGE T.L. | 4 | |
| 24 | | 249995001 | WELDMENT - CABLE GUIDE MOUNT | 1 | |
| 25 | | 289150001 | DOOR-CONTROL PANEL ACCESS | 1 | |
| 26 | | 218080001 | LATCH-ADJ.LEVER W/RAISED BUTTN(INC KEYS) | 1 | |
| | | 97874003 | KEYS | 1 | |
| 27 | | 235726001 | BOLT-3/8-16X3/4 GR8 HEX ZNCPLT | 4 | |
| 28 | | 235713001 | WASHER - FLATSTRL - .38 - .41 X .81 - .06-YA-A325 | 8 | |
| 29 | | 235725001 | NUT - HEX - .38 - 16 - GR8 - YZ | 4 | |
| 30 | | 70000775 | DECAL 3"VERMEER STRIPE | 1 | |
| 31 | | 70000614 | DECAL-MODEL NAVIGATOR (BIG) | 1 | |
| 32 | | 70000394 | DECAL-VERMEER HY POWER | 1 | |
| 33 | | 7000A576 | DECAL-DANGER | 1 | Domestic |
| | | 700IA576 | DECAL-DANGER | 1 | International |

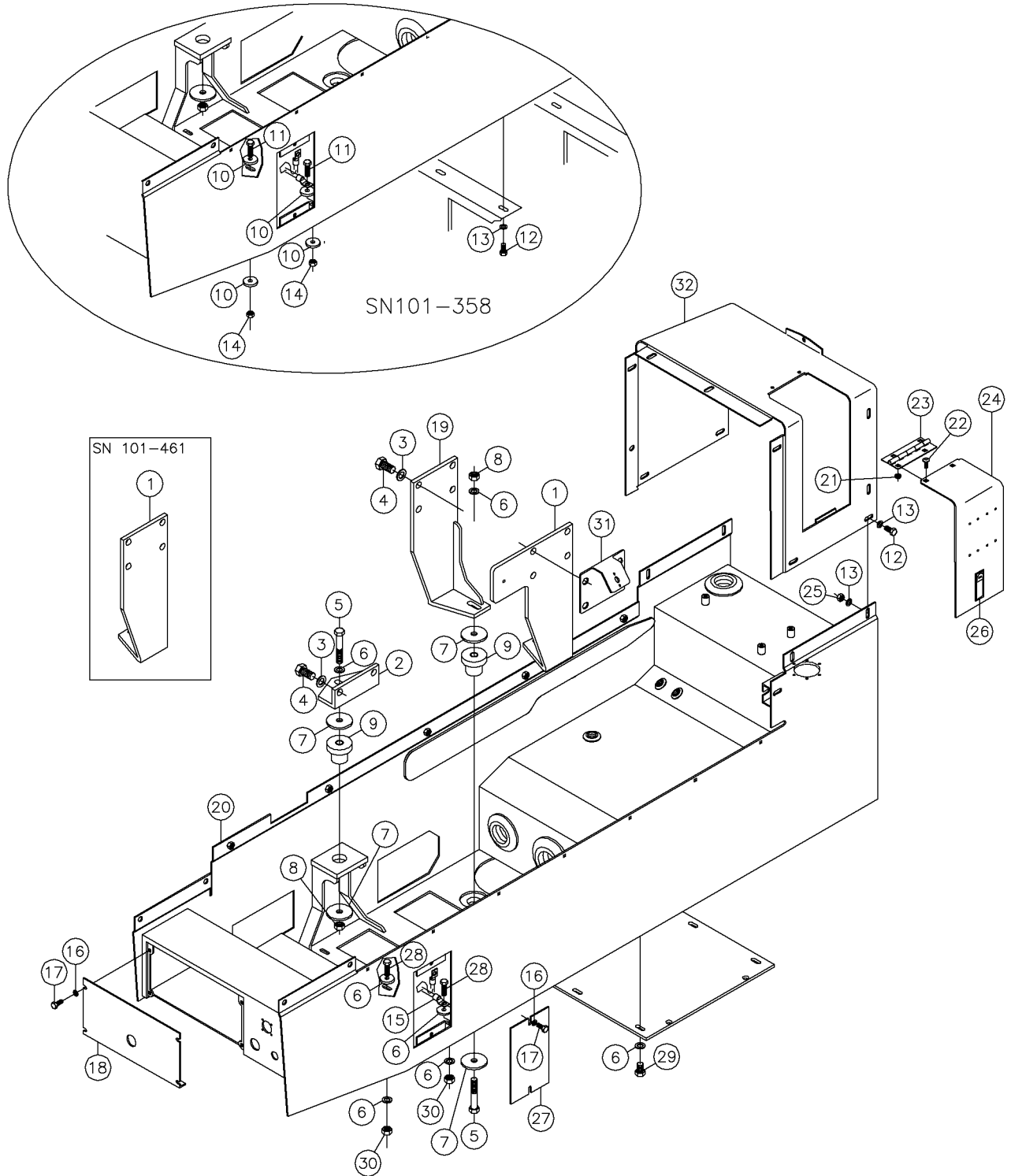
Engine Bay Fig 3-3r07



Engine Bay Fig 3-3r07

| REF. NO. | * | PART NO. | DESCRIPTION | QTY. | REMARKS |
|----------|---|---------------|---|------|--------------------------------------|
| | | Revision Date | September, 2004 | | Update In Illustration & Parts List. |
| 1 | | 296274510 | FRAME ASSEMBLY, ENGINE BAY | 1 | |
| 2 | | 485025 | WASHER-1/2 FLAT-HARDENED-YZ | 20 | |
| 3 | | 282102001 | BOLT - 1/2-20 X3/4 GR8 ZINC PLTD | 6 | |
| 4 | | 235714001 | WASHER - FLATSTRL - .31 - .34 X .69 - .06-YZ-A325 | 38 | |
| 5 | | 235742001 | BOLT-5/16-18X3/4 GR8 ZINC PLTD | 6 | |
| 6 | | 251410001 | PLATE-COVER | 1 | |
| 7 | | 250512001 | NUT- 1/2 NC Gr8 TOP LOCK Y/ ZINC | 3 | |
| 8 | | 75382001 | NUT-1/2-UNC GRADE 8 SLTL | 4 | |
| 9 | | 296274564 | SPACER - SNUBBER | 4 | |
| 10 | | 281548001 | CABLE - BATTERY 2 GA.X24" EYELET-EYELET | 4 | |
| 11 | | 235737001 | BOLT-1/2-13X1 1/4 GR8 ZINC PLT | 3 | |
| 12 | | 240333001 | NUT-5/16-18 GR8 TL ZINC PLTD | 16 | |
| 13 | | 251539001 | PANEL-MOUNTING | 1 | |
| 14 | | 248031001 | BOLT-5/16-18X1 1/4 GR8 ZINC PL | 16 | |
| 15 | | 296274547 | BRACKET ASSEMBLY - RH FRT ENGINE MOUNT | 1 | |
| 16 | | 296274543 | PLATE - ENGINE MOUNT | 1 | |
| 17 | | 240336001 | BOLT-1/2-13X3 1/4 GR8 ZINC PLT | 4 | |
| 18 | | 296274551 | SUPPORT ASSEMBLY - RH ENGINE | 1 | |
| 19 | | 296274550 | SUPPORT ASSEMBLY - LH ENGINE | 1 | |
| 20 | | 296274527 | SHROUD ASSY - CONTROL PANEL | 1 | |
| 21 | | 251524001 | HINGE - DOOR | 1 | |
| 22 | | 373005 | BOLT-1/4-20X5/8 GR5 CARRIAGE | 4 | |
| 23 | | 1809005 | NUT-1/4 SM FLGE T.L. | 4 | |
| 24 | | 249995001 | WELDMENT - CABLE GUIDE MOUNT | 1 | |
| 25 | | 289150001 | DOOR-CONTROL PANEL ACCESS | 1 | |
| 26 | | 218080001 | LATCH-ADJ.LEVER W/RAISED BUTTN(INC KEYS) | 1 | |
| | | 97874003 | KEYS | 1 | |
| 27 | | 235726001 | BOLT-3/8-16X3/4 GR8 HEX ZNCPLT | 4 | |
| 28 | | 235713001 | WASHER - FLATSTRL - .38 - .41 X .81 - .06-YA-A325 | 8 | |
| 29 | | 235725001 | NUT - HEX - .38 - 16 - GR8 - YZ | 4 | |
| 30 | | 70000775 | DECAL 3"VERMEER STRIPE | 1 | |
| 31 | | 70000614 | DECAL-MODEL NAVIGATOR (BIG) | 1 | |
| 32 | | 70000394 | DECAL-VERMEER HY POWER | 1 | |
| 33 | | 7000A576 | DECAL-DANGER | 1 | Domestic |
| | | 700IA576 | DECAL-DANGER | 1 | International |

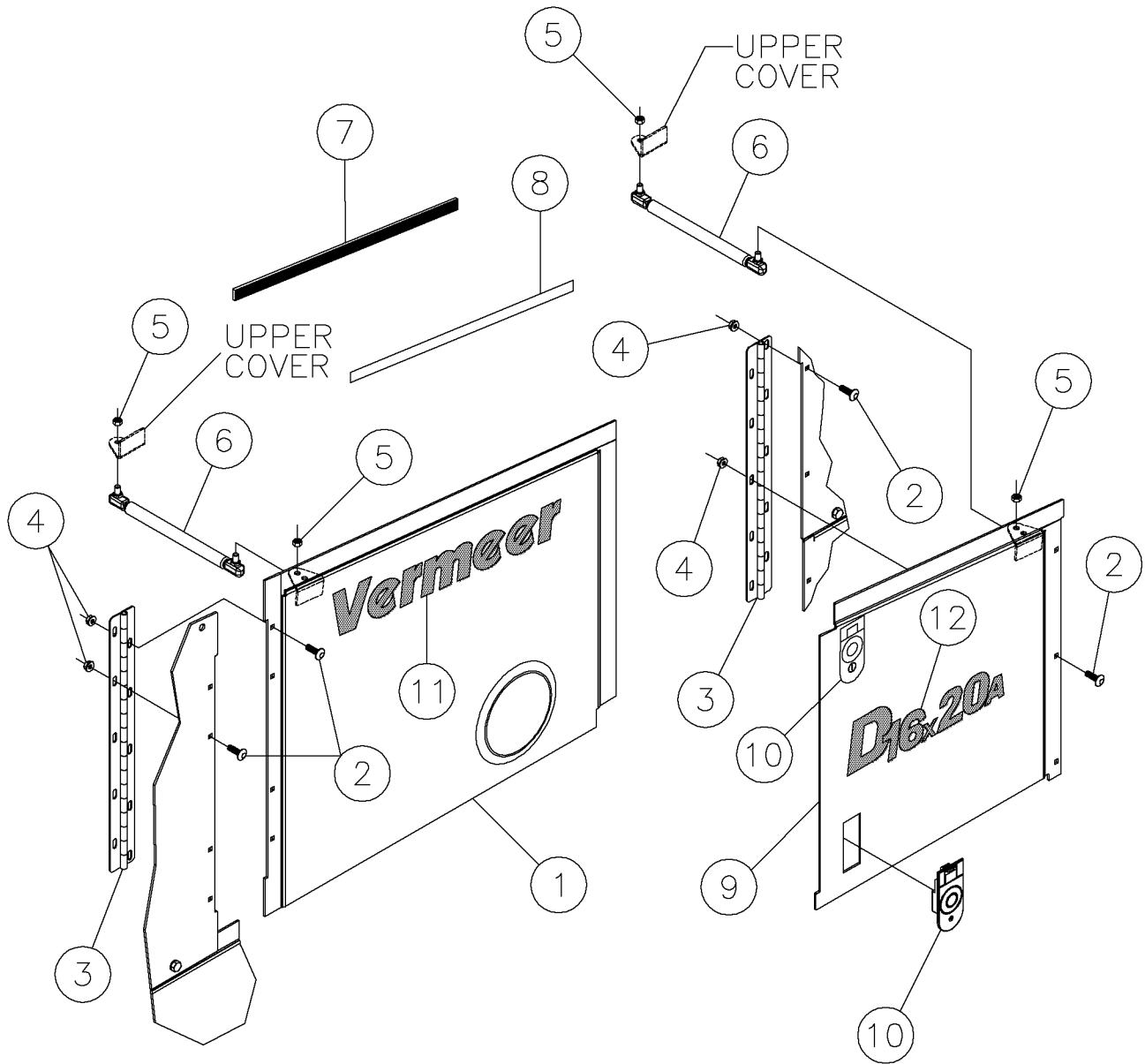
Engine Bay Fig 3-3r06



Engine Bay Fig 3-3r06

| REF. NO. | * | PART NO. | DESCRIPTION | QTY. | REMARKS |
|----------|---|---------------|------------------------------------|------|-----------------------|
| | | Revision Date | July, 2002 | | Update In Parts List. |
| 1 | | 251610001 | MOUNT-LEFT REAR ENGINE | 1 | |
| 2 | | 251560001 | MOUNT-FRONT ENGINE | 2 | |
| 3 | | 240058001 | WASHER-14MM HARDENED FLAT ZNC | 12 | |
| 4 | | 96086001 | BOLT-M14X30 DIN9.33 GR8.8 ZINC | 12 | |
| 5 | | 240336001 | BOLT-1/2-13X3 1/4 GR8 HEX ZINC PLT | 4 | |
| 6 | | 485025 | WASHER-1/2 FLAT-HARDENED-ZINC | 16 | S/N 101-358 |
| 7 | | 240138001 | CAP-PIVOT TUBE ZINC | 8 | |
| 8 | | 75382001 | NUT-1/2-UNC GRADE 8 SLTL | 4 | |
| 9 | | 904760001 | ISOLATOR-CBA20-300 RUBBER | 4 | |
| 10 | | 275216001 | WASHER-1 1/4 OD X 13/32 ID X 3/16 | 6 | |
| 11 | | 235723001 | BOLT-3/8-16X1 1/2" ZINPLTD | 3 | |
| 12 | | 235726001 | BOLT-3/8-16X3/4 GR8 HEX ZNCPLT | 10 | |
| 13 | | 235713001 | WASHER-3/8 SAE HARD ZINC PLTD | 14 | |
| 14 | | 250508001 | NUT-3/8-NC GR8 TOP LOCK Y/ZINC | 3 | |
| 15 | | 281548001 | CABLE-BATT.2GA.X84" E-E | 1 | Replaced 251576001 |
| 16 | | 235714001 | WASHER-5/16 SAE HARD ZINC PLTD | 6 | |
| 17 | | 235742001 | BOLT-5/16-18X3/4 GR8 ZINC PLTD | 6 | |
| 18 | | 251539001 | PANEL-MOUNTING | 1 | |
| 19 | | 251613001 | MOUNT-RIGHT REAR ENGINE | 1 | |
| 20 | | 251540001 | TANK-OIL | 1 | |
| 21 | | 1809005 | NUT-1/4 SM FLGE T.L. | 4 | |
| 22 | | 373005 | BOLT-1/4-20X5/8 GR5 CARRIAGE | 4 | |
| 23 | | 251524001 | HINGE-LOWER ENGINE SHROUD DOOR | 1 | |
| 24 | * | 289150001 | DOOR-CONTROL PANEL ACCESS | 1 | S/N 895- |
| 25 | | 235725001 | NUT-3/8-16 GR8 ZINC PLTD | 4 | |
| 26 | | 218080001 | LATCH-ADJ.LEVER W/RAISED BUTTN | 1 | |
| 26 | | 97874003 | KEYS | 1 | |
| 27 | | 251410001 | PLATE-COVER | 1 | |
| 28 | | 235737001 | BOLT-1/2"-13X1 1/4 GR 8 ZINC PLT | 3 | S/N 359- |
| 29 | | 282102001 | BOLT-1/2-20X3/4 GR 8 | 6 | S/N 359- |
| 30 | | 250512001 | NUT-1/2 NC GR 8 TOP LOCK Y/ZINC | 3 | S/N 359- |
| 31 | | 285516001 | BRACKET-CIRCUIT BREAKER | 1 | S/N 462- |
| 32 | * | 296260328 | SHROUD-LOWER ENGINE | 1 | S/N 1095 - |

Engine Shield Fig 3-4r05

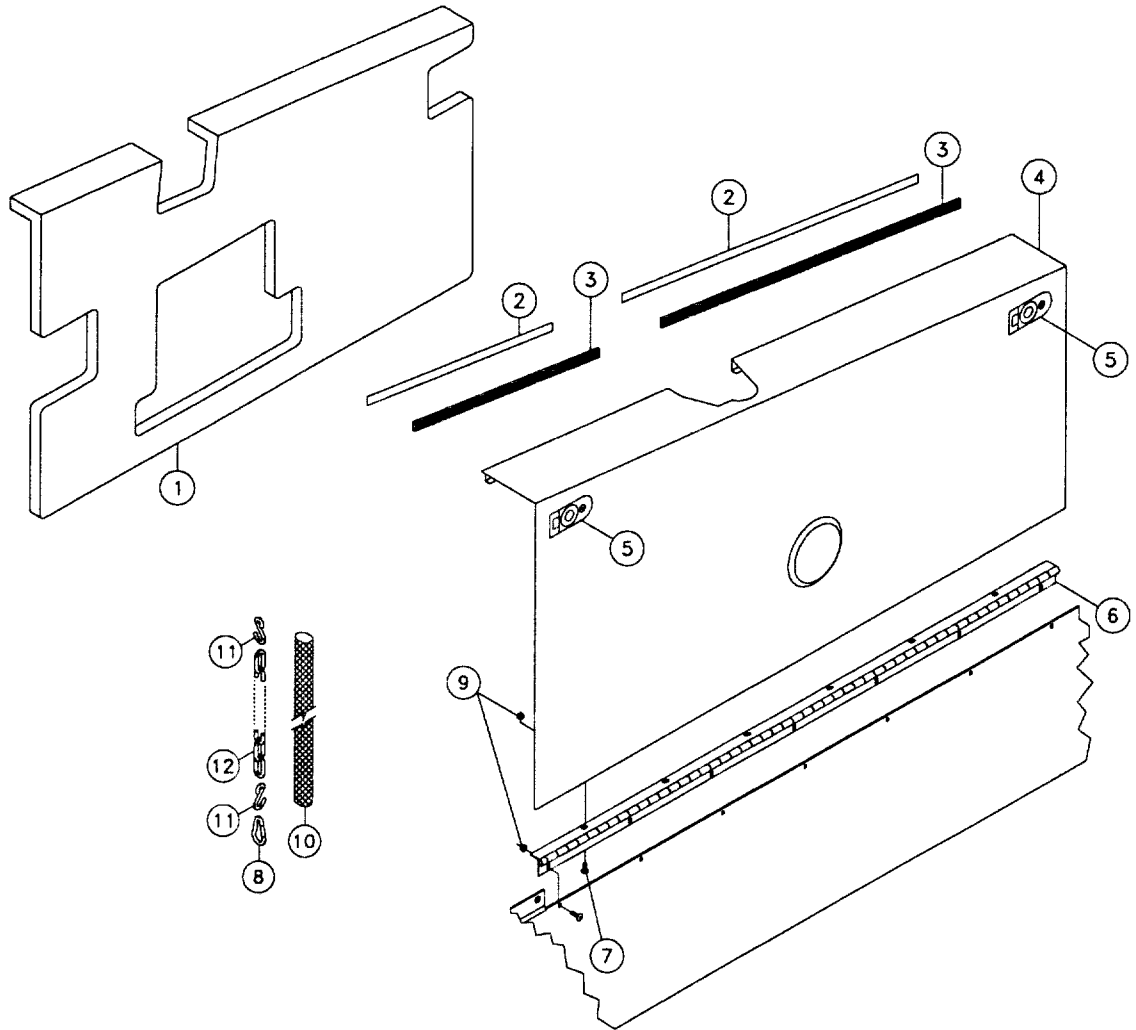


Engine Shield Fig 3-4r05

| REF. NO. | * | PART NO. | DESCRIPTION | QTY. | REMARKS |
|----------|---|---------------|---|------|--------------------------------------|
| | | Revision Date | September, 2004 | | Update In Illustration & Parts List. |
| 1 | | 296274530 | DOOR ASSY - REAR ENGINE | 1 | |
| 2 | | 373005 | BOLT-1/4-20X5/8 GR5 CARRIAGE | 7 | |
| 3 | | 296256490 | HINGE - LEFT TABLE SIDE | 2 | |
| 4 | | 1809005 | NUT-1/4 SM FLGE T.L. | 7 | |
| 5 | | 235741001 | NUT - HEX - .31 - 18 - GR8 -YZ | 4 | |
| 6 | | 149863001 | SPRING - GAS 15.94 LENGTH X 6.30 STROKE 56.2 LBS | 2 | |
| 7 | | 282764001 | WEATHER STRIP | A/R | P/N Qty. Of 1 = 36 Yards |
| 8 | | 245059001 | TAPE-URETHANE .75"WX 36 YD ROL | A/R | P/N Qty. Of 1 = 1 Foot |
| 9 | | 296274531 | DOOR ASSY - FRONT ENGINE | 1 | |
| 10 | | 110479001 | LATCH-SEALED LEVER | 2 | |
| | | 97874001 | LATCH-LEVER ADJUSTABLE W/KEY | 1 | |
| 11 | | 7000B059 | DECAL - VERMEER 6" | 1 | |
| 12 | | 7000B051 | DECAL-MODEL D16X20A | 1 | |

Engine Shield Fig 3-4r04

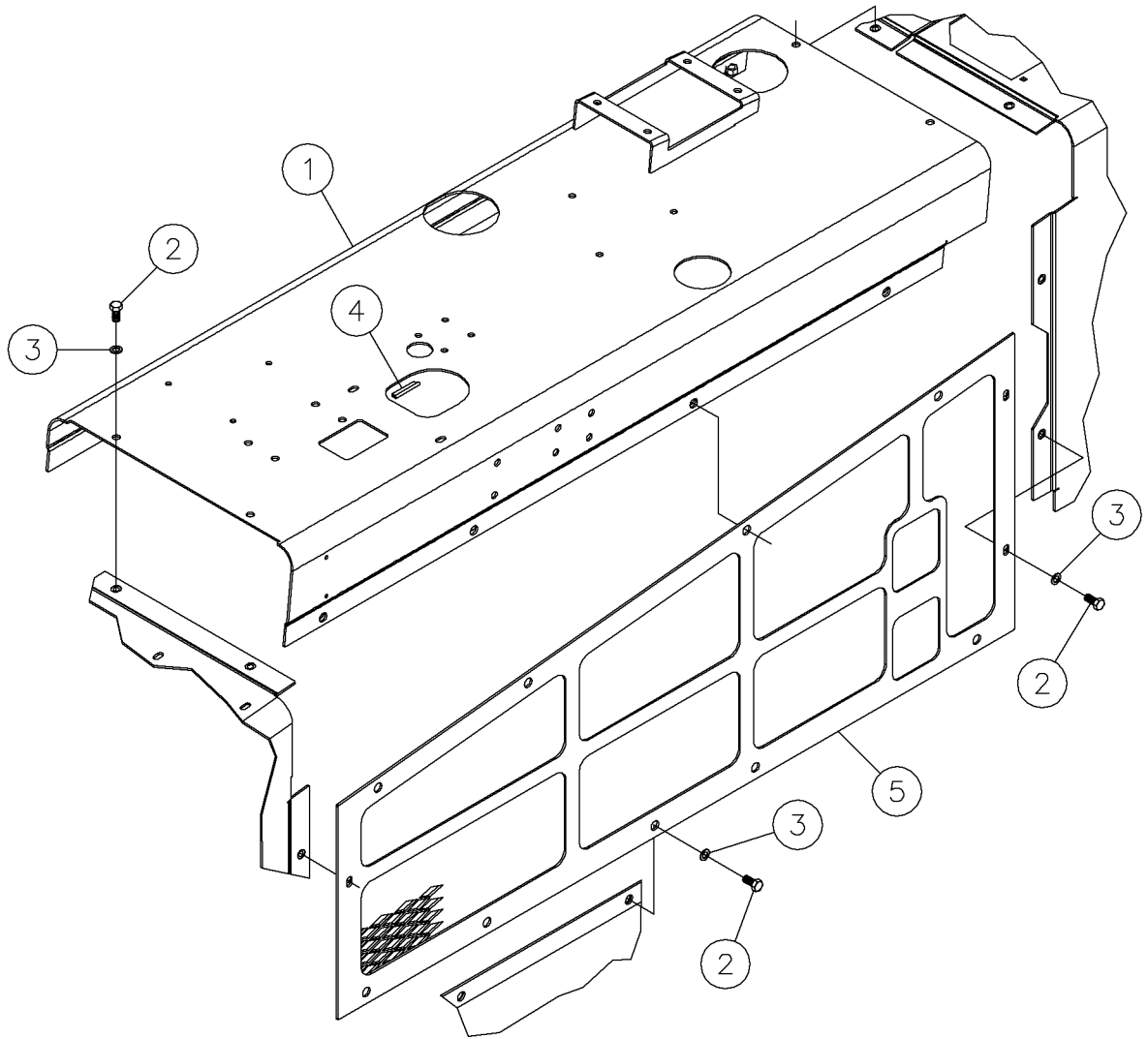
Revised January 2000 due to update in illustration.



Engine Shield Fig 3-4r04

| REF. NO. | * | PART NO. | DESCRIPTION | QTY. | REMARKS |
|----------|---|---------------|-----------------------------------|------|--|
| | | Revision Date | January, 2000 | | |
| 1 | | 234500001 | FOAM-ENGINE SHIELD | 1 | |
| 2 | | 245059001 | TAPE-URETHANE .75"WX 36 YD ROL | A/R | P/N Qty Of 1 = 36 Yards |
| 3 | | 282764001 | WEATHERSTRIP | 1 | P/N Qty Of 1 = 1 Foot, Replaces 18991001 |
| 4 | | 282763001 | DOOR PIVOTING ENGINE BAY | 1 | Replaces 251601-001 |
| 5 | | 110479001 | LATCH-SEALED LEVER | 2 | |
| 5 | | 97874001 | LATCH-LEVER ADJUSTABLE W/ KEY | 1 | |
| 6 | | 251619001 | HINGE-ENGINE BAY DOOR | 1 | |
| 7 | | 373005 | BOL-1/4-20X5/8 GR5 CARRIAGE | 13 | |
| 8 | | 235748001 | CHAIN SNAP -3/16 S.S. | 1 | |
| 9 | | 1809005 | NUT-1/4 SM FLGE T.L. | 13 | |
| 10 | | 83726001 | CORDURA SLEEVE-.090 WALL X .71 ID | 1 | P/N Qty Of 1 = 1 Foot |
| 11 | | 76533001 | HOOK-3/16 "S" | 2 | |
| 12 | | 240427001 | CHAIN-4/0 STR. COIL ZINC 24 LINK | 1 | |

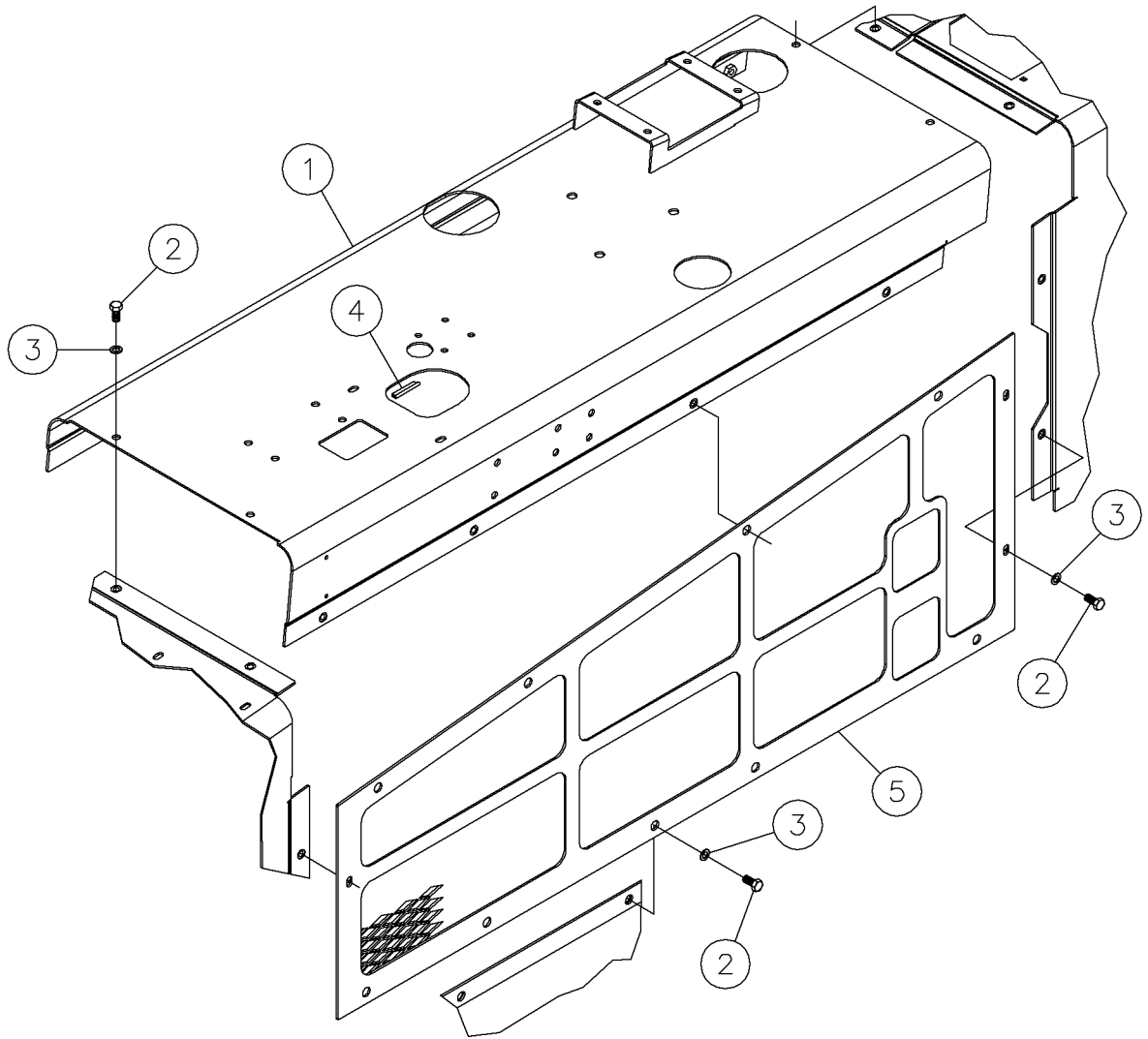
Engine Bay Shield Fig 3-5r04



Engine Bay Shield Fig 3-5r04

| REF. NO. | * | PART NO. | DESCRIPTION | QTY. | REMARKS |
|----------|---|---------------|---|------|-------------------------|
| | | Revision Date | May, 2006 | | Update In Illustration. |
| 1 | | 296274525 | COVER ASSY - UPPER ENGINE | 1 | |
| 2 | | 235726001 | BOLT-3/8-16X3/4 GR8 HEX ZNCPLT | 16 | |
| 3 | | 235713001 | WASHER - FLATSTRL - .38 - .41 X .81 - .06-YA-A325 | 16 | |
| 4 | | 212522001 | TRIM-1/4 EDGE | A/R | |
| 5 | | 296274535 | PANEL ASSY - RACK SIDE | 1 | |

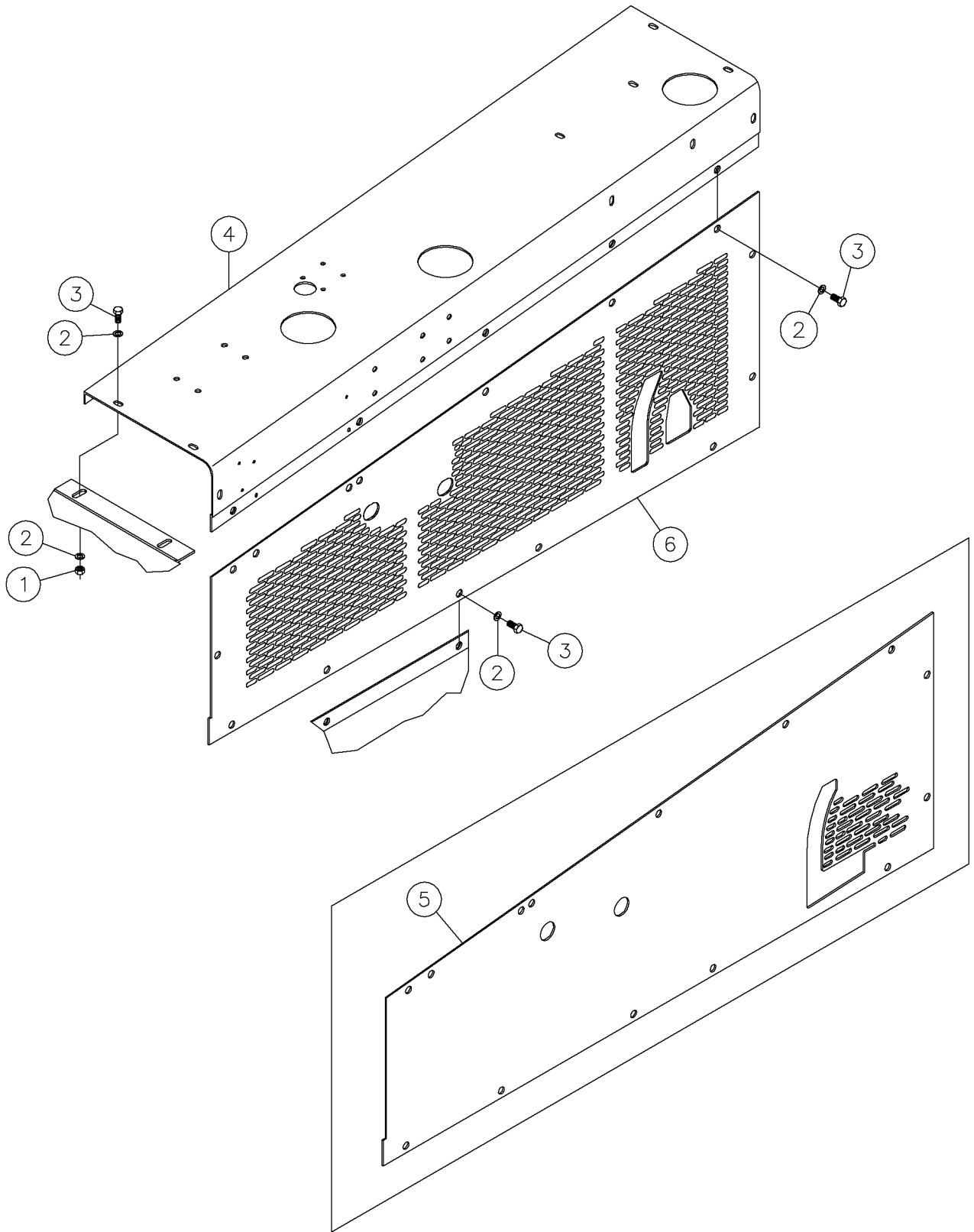
Engine Bay Shield Fig 3-5r03



Engine Bay Shield Fig 3-5r03

| REF. NO. | * | PART NO. | DESCRIPTION | QTY. | REMARKS |
|----------|---|---------------|---|------|--------------------------------------|
| | | Revision Date | September, 2004 | | Update In Illustration & Parts List. |
| 1 | | 296274525 | COVER ASSY - UPPER ENGINE | 1 | |
| 2 | | 235726001 | BOLT-3/8-16X3/4 GR8 HEX ZNCPLT | 16 | |
| 3 | | 235713001 | WASHER - FLATSTRL - .38 - .41 X .81 - .06-YA-A325 | 16 | |
| 4 | | 212522001 | TRIM-1/4 EDGE | A/R | |
| 5 | | 296274535 | PANEL ASSY - RACK SIDE | 1 | |

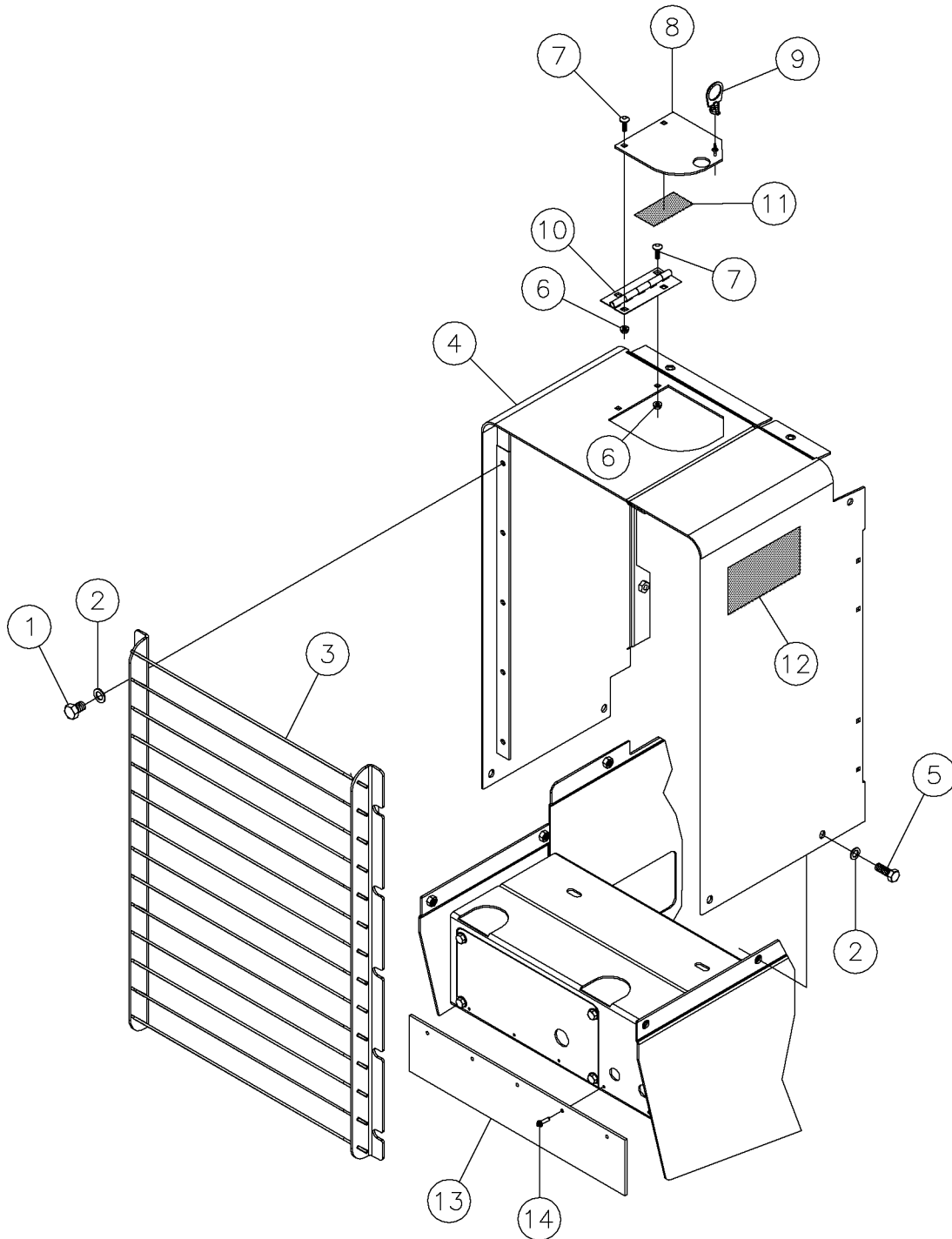
Engine Bay Shield Fig 3-5r02



Engine Bay Shield Fig 3-5r02

| REF. NO. | * | PART NO. | DESCRIPTION | QTY. | REMARKS |
|----------|---|---------------|---------------------------------|------|--------------------------------------|
| | | Revision Date | July, 2002 | | Update In Illustration & Parts List. |
| 1 | | 235725001 | NUT-3/8-16 GR8 ZINC PLTD | 6 | |
| 2 | | 235713001 | WASHER-3/8 SAE HARD ZINC PLTD | 23 | |
| 3 | | 235726001 | BOLT-3/8-16X3/4 GR8 HEX ZNCPLT | 17 | |
| 4 | * | 251518001 | SHROUD-TOP-CENTER ENGINE | 1 | Replaces 251529001 |
| | * | 296260327 | SHROUD - TOP - CENTER ENGINE | 1 | S/N 1095- |
| 5 | * | 251523001 | SHIELD - ENGINE BAY RACK SIDE | 1 | Earlier Model |
| 6 | * | 289065001 | SHIELD - ENGINE BAY RACK - SIDE | 1 | |

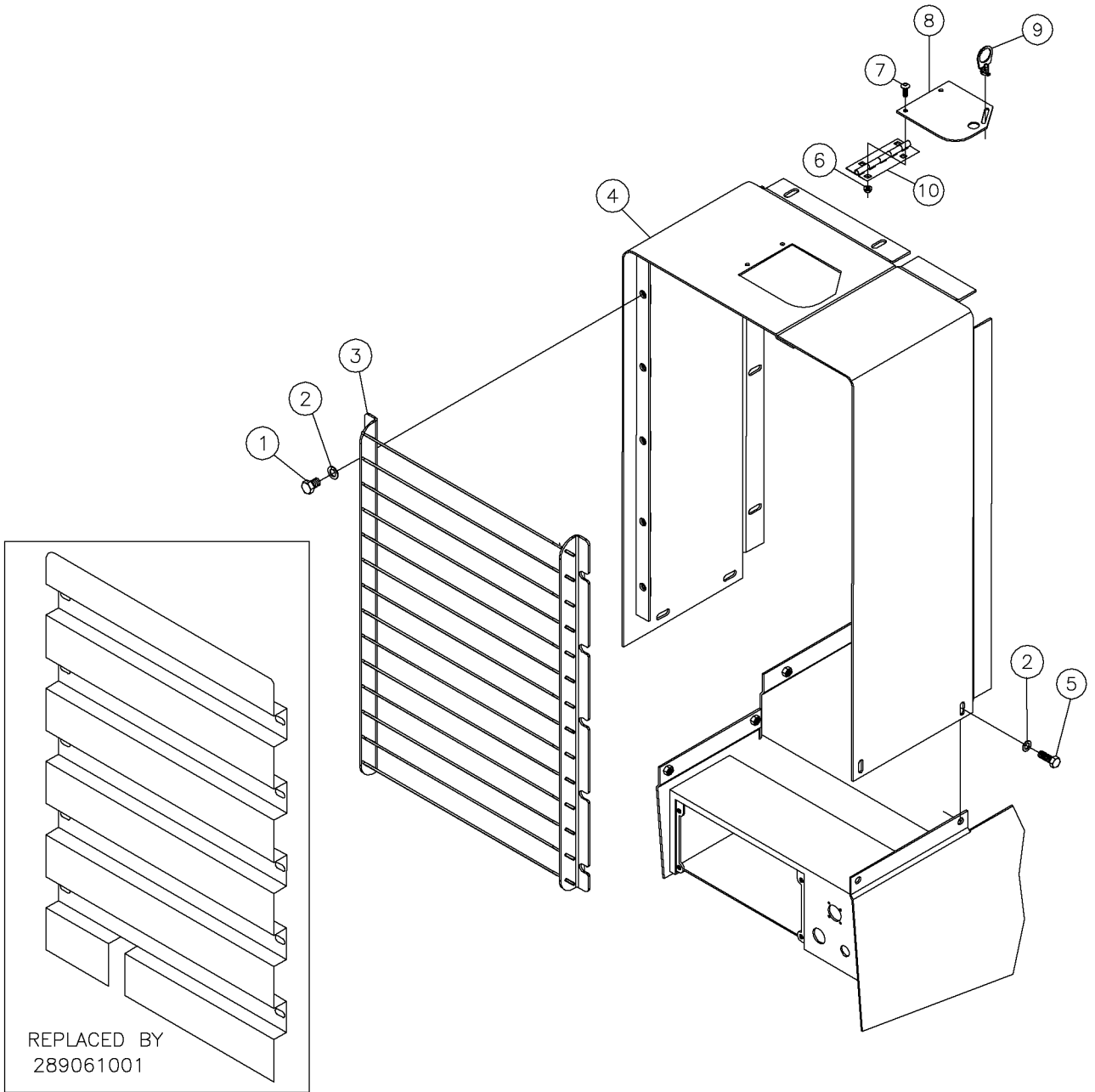
Radiator Shield Fig 3-6r04



Radiator Shield Fig 3-6r04

| REF. NO. | * | PART NO. | DESCRIPTION | QTY. | REMARKS |
|----------|---|---------------|---|------|--------------------------------------|
| | | Revision Date | September, 2004 | | Update In Illustration & Parts List. |
| 1 | | 240310001 | SCREW - HCS - .38 - 16 X .50 - GR8 - YZ | 10 | |
| 2 | | 235713001 | WASHER - FLATSTRL - .38 - .41 X .81 - .06-YA-A325 | 14 | |
| 3 | | 289061001 | GRILLE - RADIATOR | 1 | |
| 4 | | 296274524 | ENCLOSURE - RADIATOR | 1 | |
| 5 | | 235726001 | BOLT-3/8-16X3/4 GR8 HEX ZNCPLT | 4 | |
| 6 | | 1809005 | NUT-1/4 SM FLGE T.L. | 4 | |
| 7 | | 373004 | 1/4-20X1/2 GD5 CARRIAGE BOLT | 4 | |
| 8 | | 251594001 | DOOR-RADIATOR (REPAIR KIT) | 1 | |
| 9 | | 86113001 | FASTENER-1/4 TURN | 1 | |
| 10 | | 251524001 | HINGE - DOOR | 1 | |
| 11 | | 2326315 | DECAL-WARNING | 1 | Domestic |
| | | 2326I315 | DECAL-WARNING | 1 | International |
| 12 | | 7000A576 | DECAL-DANGER | 1 | Domestic |
| | | 700IA576 | DECAL-DANGER | 1 | International |
| 13 | | 296277253 | SKIRT - LOWER RUBBER | 1 | |
| 14 | | 295229001 | SCREW, SELF TAPPING | 5 | |

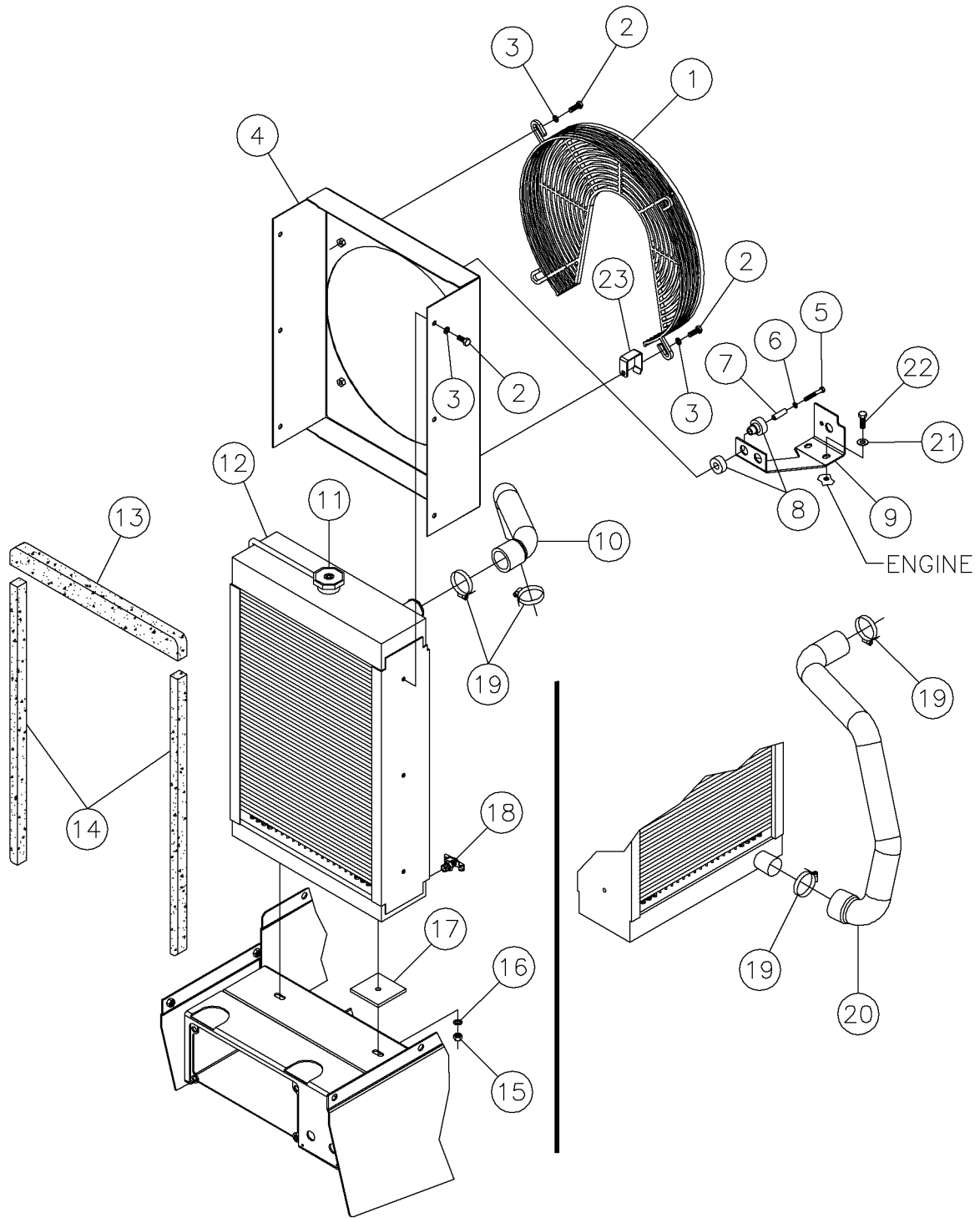
Radiator Shield Fig 3-6r03



Radiator Shield Fig 3-6r03

| REF. NO. | * | PART NO. | DESCRIPTION | QTY. | REMARKS |
|----------|---|---------------|----------------------------------|------|--------------------------------------|
| | | Revision Date | July, 2002 | | Update In Illustration & Parts List. |
| 1 | | 240310001 | BOLT-3/8-16 X 1/2 GR8 ZINC PLTD | 10 | |
| 2 | | 235713001 | WASHER-3/8 SAE HARD ZINC PLTD | 14 | |
| 3 | * | 289061001 | GRILLE - RADIATOR | 1 | |
| 4 | | 251590001 | SHROUD-RADIATOR | 1 | |
| 5 | | 235726001 | BOLT-3/8-16 X 3/4 GR8 HEX ZNCPLT | 4 | |
| 6 | | 1809005 | NUT-1/4 SM FLGE T.L. | 4 | |
| 7 | | 373005 | BOLT-1/4-20 X 5/8 GR5 CARRIAGE | 4 | |
| 8 | | 251594001 | DOOR-RADIATOR (REPAIR KIT) | 1 | |
| 9 | | 86113001 | FASTENER-1/4 TURN | 1 | |
| 10 | | 251524001 | HINGE-LOWER ENGINE SHROUD DOOR | 1 | |

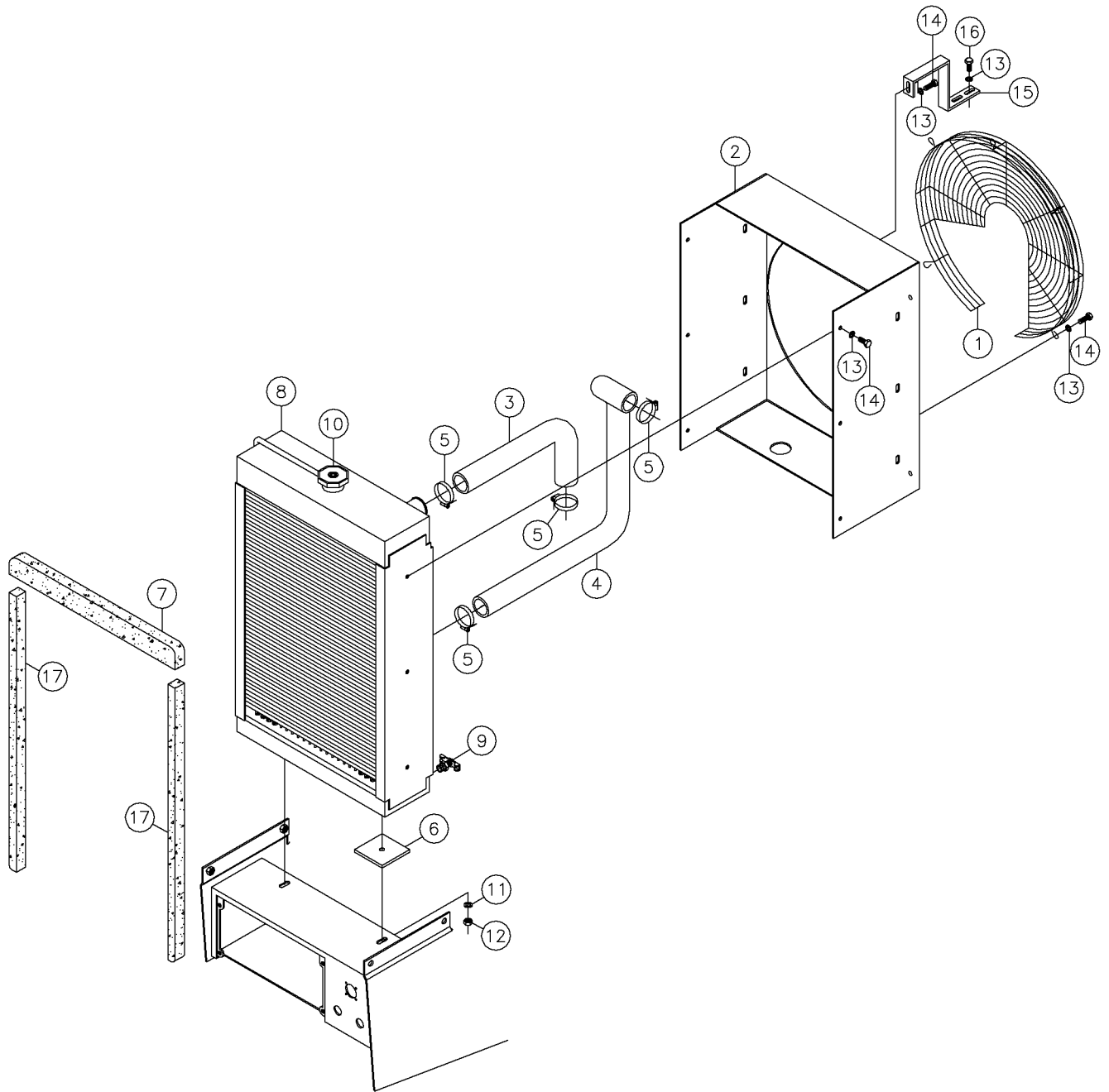
Radiator Fig 3-7r04



Radiator Fig 3-7r04

| REF. NO. | * | PART NO. | DESCRIPTION | QTY. | REMARKS |
|----------|---|---------------|---|------|--------------------------------------|
| | | Revision Date | September, 2004 | | Update In Illustration & Parts List. |
| 1 | | 296274522 | GUARD - FAN | 1 | |
| 2 | | 235742001 | BOLT-5/16-18X3/4 GR8 ZINC PLTD | 10 | |
| 3 | | 235714001 | WASHER - FLATSTRL - .31 - .34 X .69 - .06-YZ-A325 | 10 | |
| 4 | | 296274521 | SHROUD - FAN | 1 | |
| 5 | | 248197001 | BOLT-1/4-20X2 GR.8 ZINC PLTD | 2 | |
| 6 | | 235716001 | WASHER - FLATSTRL - .25 -.28 X .63 - .06 - CZ | 2 | |
| 7 | | 291550001 | SPACER-RADIATOR ISOLATOR | 2 | |
| 8 | | 294553001 | MOUNT-UPPER RADIATOR ISOLATOR | 2 | |
| 9 | | 296274559 | STRUT - RADIATOR | 1 | |
| 10 | | 296274503 | HOSE - RADIATOR UPPER | 1 | |
| 11 | | 251501005 | CAP - 16 PSI RADIATOR | 1 | |
| 12 | | 251501001 | RADIATOR | 1 | |
| 13 | | 235630001 | FOAM-TOP RADIATOR | 1 | |
| 14 | | 235632001 | FOAM-RIGHT RADIATOR | 2 | |
| 15 | | 15289001 | NUT-3/8-16NC SLTL GRADE 8 | 2 | |
| 16 | | 235713001 | WASHER - FLATSTRL - .38 - .41 X .81 - .06-YA-A325 | 1 | |
| 17 | | 234690001 | RUBBER-RADIATOR MOUNT | 2 | |
| 18 | | 251501003 | PETCOCK | 1 | |
| 19 | | 1580007 | HOSE CLAMP - 1 1/2" | | |
| 20 | | 296274502 | HOSE - RADIATOR LOWER | 2 | |
| 21 | | 506046010 | WASHER-FLAT,M10,YZ,D125A | 2 | |
| 22 | | 508476020 | SCREW-HCS,M10-1.50X20,10.9,YZ,ISO4017,FT | 2 | |
| 23 | | 296277270 | BRACKET - HOSE CLAMP | 1 | |

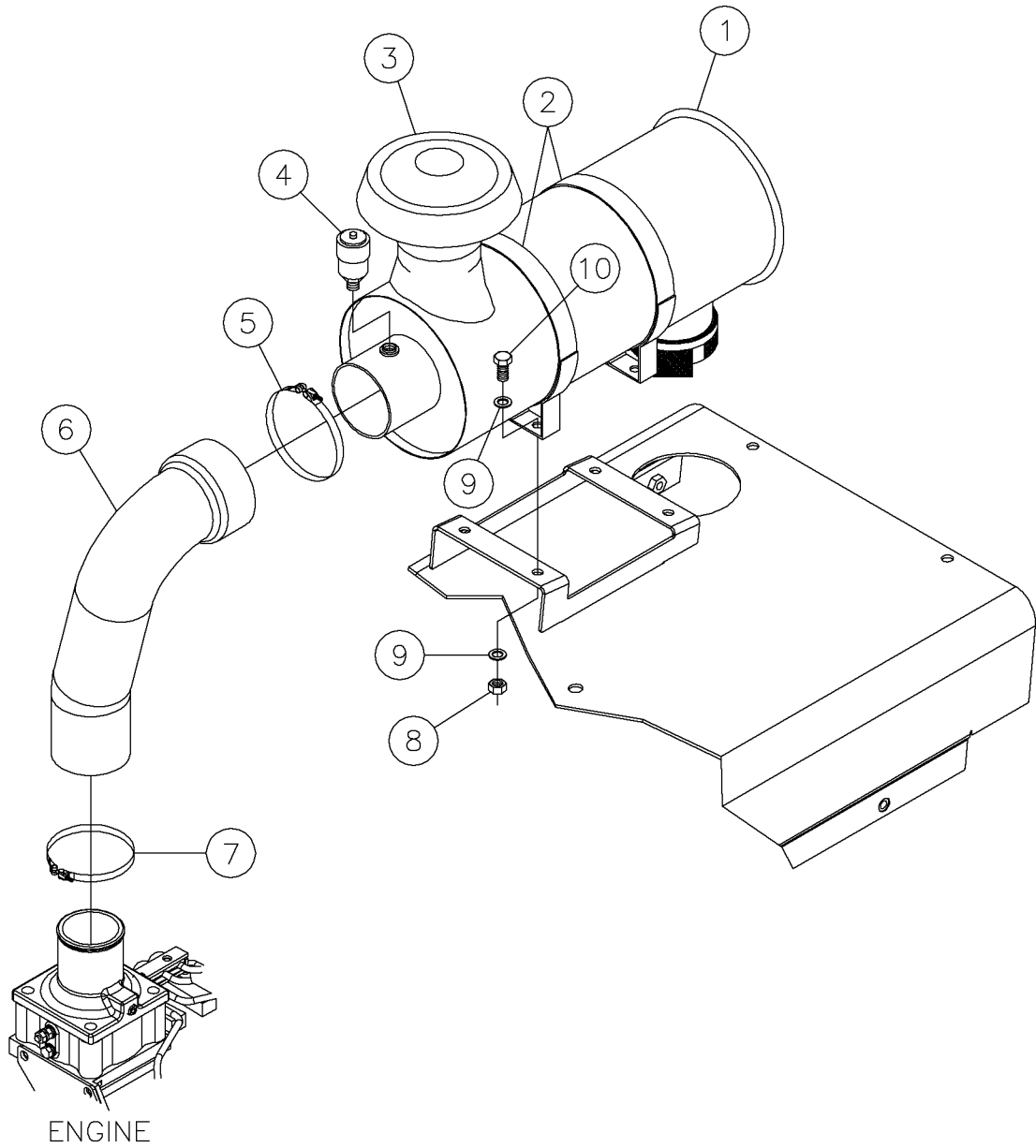
Radiator Fig 3-7r03



Radiator Fig 3-7r03

| REF. NO. | * | PART NO. | DESCRIPTION | QTY. | REMARKS |
|----------|---|---------------|----------------------------------|------|---------|
| | | Revision Date | June, 2000 | | |
| 1 | | 251647001 | GUARD-FAN | 1 | |
| 2 | | 250605001 | SHROUD-FAN | 1 | |
| 3 | | 251504001 | HOSE-1 1/2" UPPER RADIATOR | 1 | |
| 4 | | 251505001 | HOSE-1 1/2" LOWER RADIATOR | 1 | |
| 5 | | 1580007 | HOSE CLAMP -1 1/2" | 4 | |
| 6 | | 234690001 | RUBBER - RADIATOR MOUNT | 2 | |
| 7 | | 235630001 | FOAM - TOP RADIATOR | 1 | |
| 8 | | 251501001 | RADIATOR | 1 | |
| 9 | | 251501003 | PETCOCK | 1 | |
| 10 | | 251501005 | CAP - 16 PSI RADIATOR | 1 | |
| 11 | | 235713001 | WASHER-3/8 SAE HARD ZINC PLTD | 2 | |
| 12 | | 235725001 | NUT-3/8-16 GR8 ZINC PLTD | 2 | |
| 13 | | 235714001 | WASHER-5/16 SAE HARD ZINC PLTD | 14 | |
| 14 | | 235742001 | BOLT-5/16-18 X 3/4 GR8 ZINC PLTD | 12 | |
| 15 | | 251589001 | STABILIZER COOLING SYSTEM | 1 | |
| 16 | | 567001 | 8M X 20MM CAP SCREW DIN 933 | 2 | |
| 17 | * | 235632001 | FOAM-RADIATOR | 2 | |

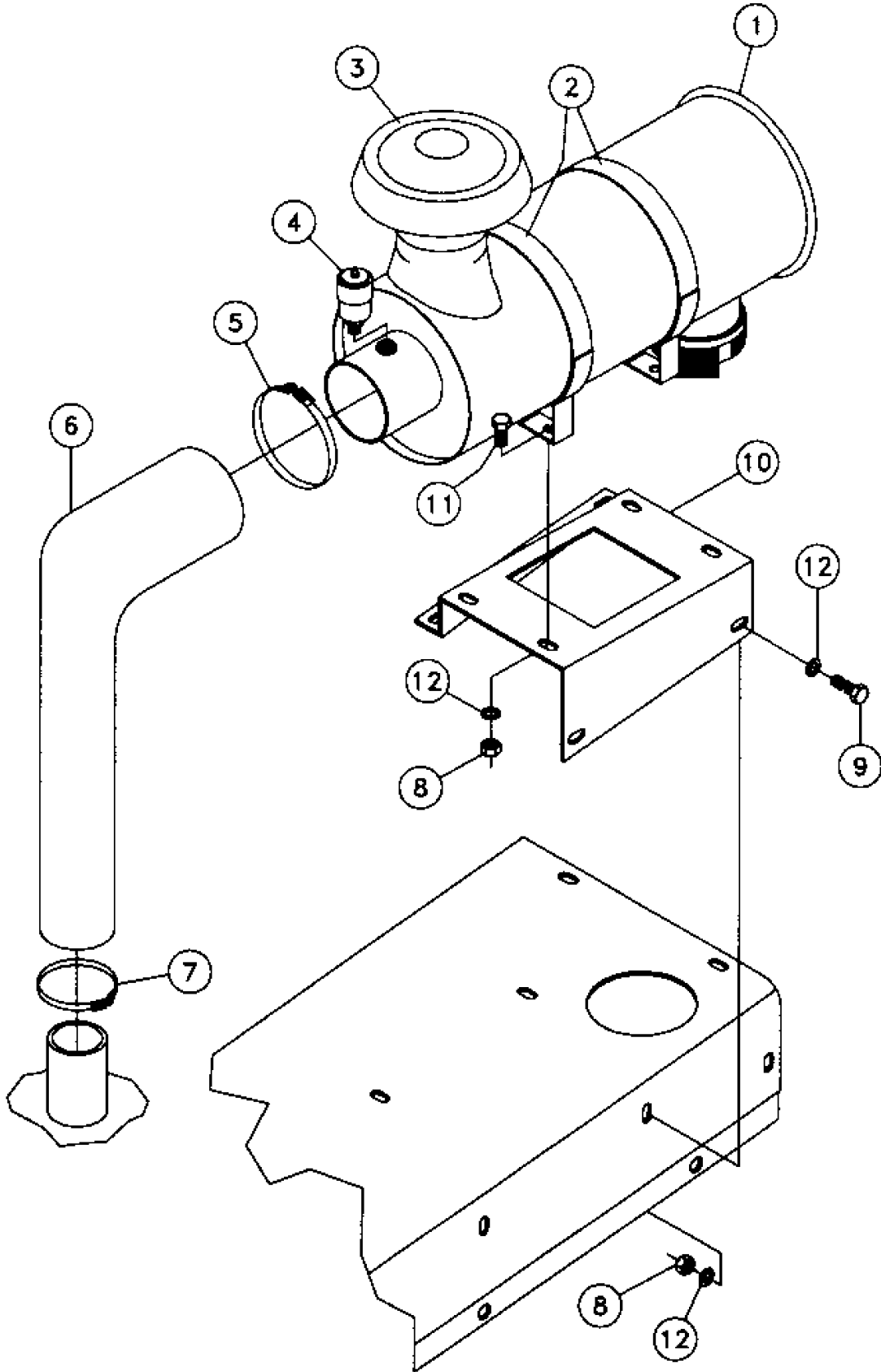
Air Cleaner Fig 3-8r01



Air Cleaner Fig 3-8r01

| REF. NO. | * | PART NO. | DESCRIPTION | QTY. | REMARKS |
|----------|---|---------------|---|------|--------------------------------------|
| | | Revision Date | September, 2004 | | Update In Illustration & Parts List. |
| 1 | | 97611001 | AIR CLEANER ASSEMBLY | 1 | Breakdown Fig. 3-9 |
| 2 | | 2149001 | MOUNTING BAND - P-7191 | 2 | |
| 3 | | 200868001 | CAP-AIR CLEANER GAH00-1379 | 1 | |
| 4 | | 2165001 | INDICATOR - RAX00-2352 | 1 | |
| 5 | | 96072001 | CLAMP-3 1/2" T-BOLT | 1 | |
| 6 | | 296274504 | HOSE - AIR INTAKE | 1 | |
| 7 | | 101514001 | CLAMP-3IN. T-BOLT | 1 | |
| 8 | | 235725001 | NUT - HEX - .38 - 16 - GR8 - YZ | 4 | |
| 9 | | 235713001 | WASHER - FLATSTRL - .38 - .41 X .81 - .06-YA-A325 | 8 | |
| 10 | | 235726001 | BOLT-3/8-16X3/4 GR8 HEX ZNCPLT | 4 | |

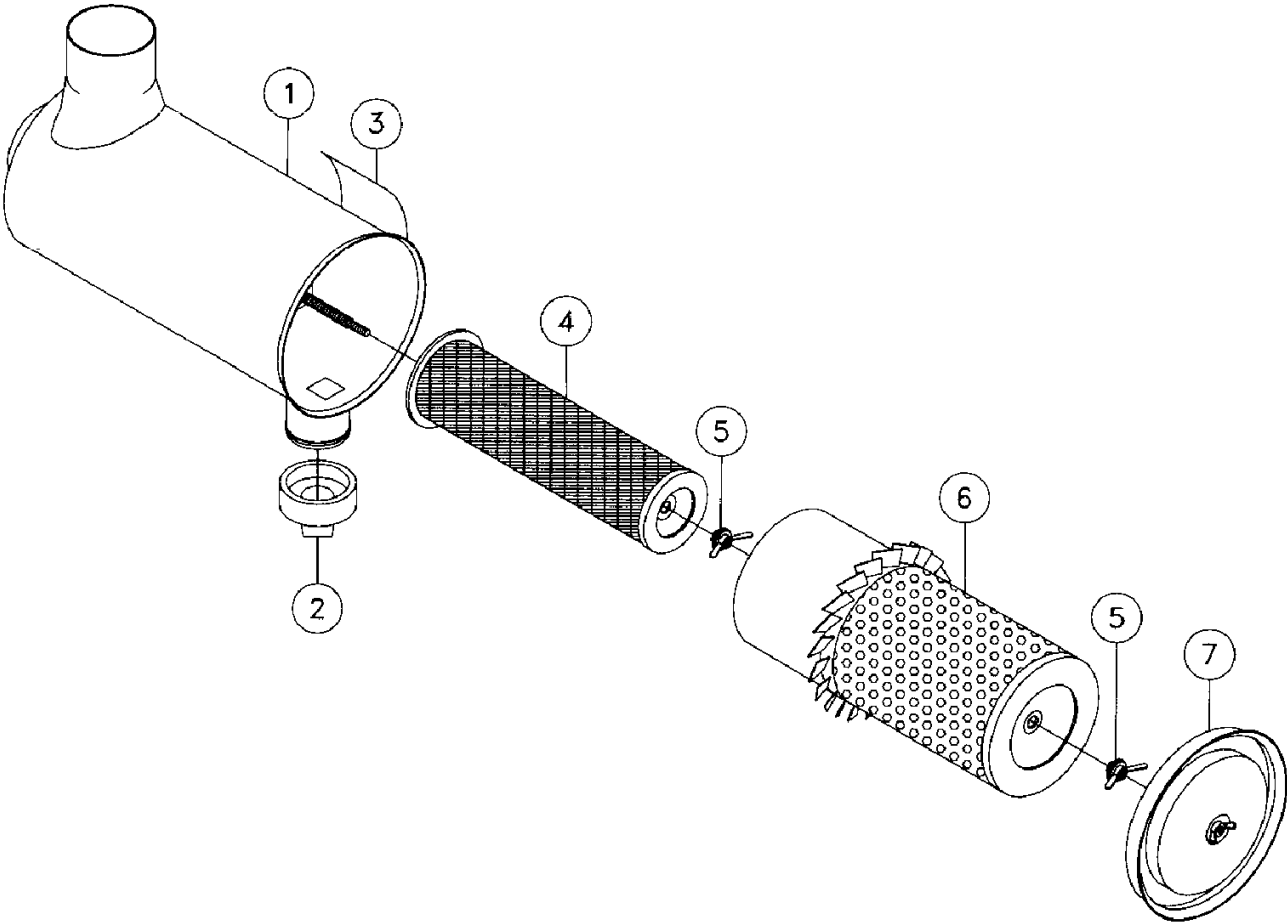
Air Cleaner Fig 3-8



Air Cleaner Fig 3-8

| REF. NO. | * | PART NO. | DESCRIPTION | QTY. | REMARKS |
|----------|---|-----------|---------------------------------|------|-------------------|
| 1 | | 97611001 | AIR CLEANER ASSEMBLY | 1 | Breakdown Fig 3-9 |
| 2 | | 2149001 | MOUNTING BAND - P-7191 | 2 | |
| 3 | | 200868001 | CAP-AIR CLEANER GAH00-1379 | 1 | |
| 4 | | 2165001 | INDICATOR - RAX00-2352 | 1 | |
| 5 | | 96072001 | CLAMP-3 1/2" T-BOLT | 1 | |
| 6 | | 251506001 | HOSE - AIR INTAKE | 1 | |
| 7 | | 101514001 | CLAMP-3" T-BOLT | 1 | |
| 8 | | 235725001 | NUT-3/8-16 GR8 ZINC PLTD | 8 | |
| 9 | | 235727001 | BOLT-3/8-16X1 GR8 HEX ZINC PLT | 4 | |
| 10 | | 251527001 | SUPPORT-AIR CLEANER | 1 | |
| 11 | | 235726001 | BOLT-3/8-16X3/4 GR8 HEX ZINCPLT | 4 | |
| 12 | | 235713001 | WASHER-3/8 SAE HARD ZINC PLTD | 12 | |

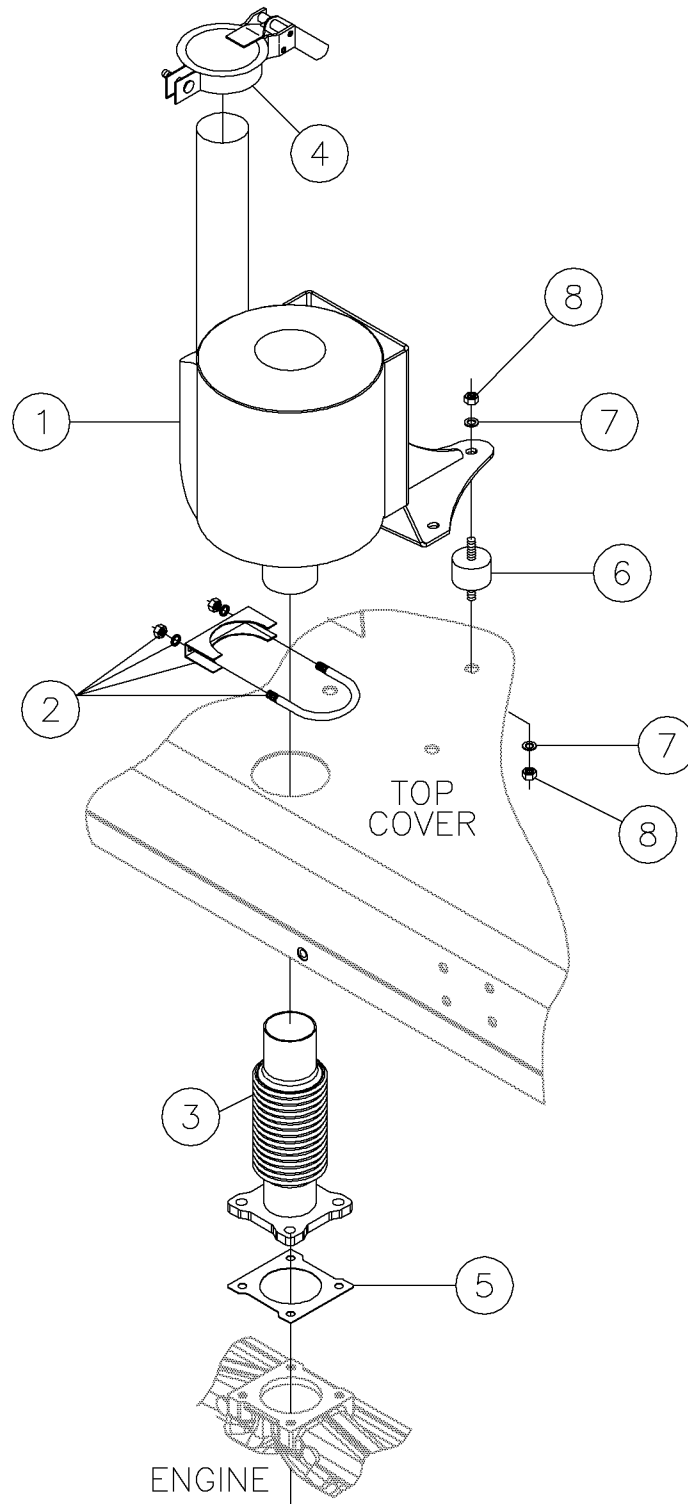
Air Cleaner Components Fig 3-9



Air Cleaner Components Fig 3-9

| REF. NO. | * | PART NO. | DESCRIPTION | QTY. | REMARKS |
|----------|---|-----------|--------------------------------------|------|----------------------|
| 1 | | 97611003 | BODY | 1 | |
| 2 | | 200867007 | VALVE-VACUATOR | 1 | |
| 3 | | | DECAL-SERVICE (ORDER BY DESCRIPTION) | 1 | Order By Description |
| 4 | | 97406003 | ELEMENT-SAFETY | 1 | |
| 5 | | 2146009 | NUT-WING P10-2144 | 2 | |
| 6 | | 97611005 | ELEMENT-PRIMARY | 1 | |
| 7 | | 200867006 | CUP ASSEMBLY | 1 | |
| | | | | | |
| | | 97611001 | AIR CLEANER ASSY. | | Inc Ref No's 1-7 |

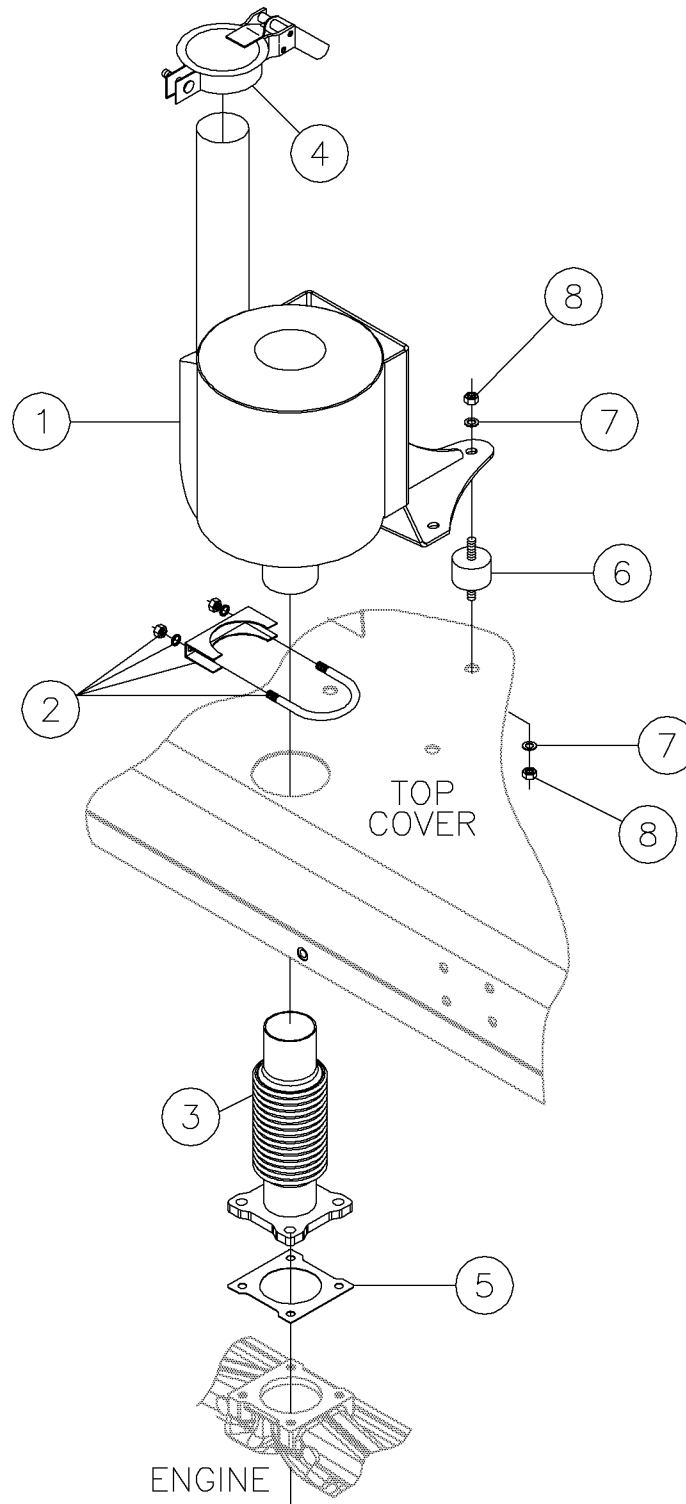
Muffler (Cummins Only) Fig 3-10r07



Muffler (Cummins Only) Fig 3-10r07

| REF. NO. | * | PART NO. | DESCRIPTION | QTY. | REMARKS |
|----------|---|---------------|--|------|-----------------------|
| | | Revision Date | July, 2005 | | Update In Parts List. |
| 1 | | 296274505 | SILENCER - 2" W/BRACKET | 1 | S/N 1202- |
| 2 | | 2609005 | MUFFLER CLAMP - 2" | 1 | |
| 3 | | 296277324 | PIPE - FLEX | 1 | |
| 4 | | 289050001 | CAP - RAIN 2" | 1 | |
| 5 | | 296271198 | GASKET-CONNECTION | 1 | |
| 6 | | 289068001 | MOUNT - CYLINDRICAL ISOLATOR 1.5 OD X 1.0 H | 3 | |
| 7 | | 235714001 | WASHER - FLATSTRL - .31 - .34 X .69 - .06-YZ-A325 | 6 | |
| 8 | | 240333001 | NUT-5/16-18 GR8 TL ZINC PLTD | 6 | |

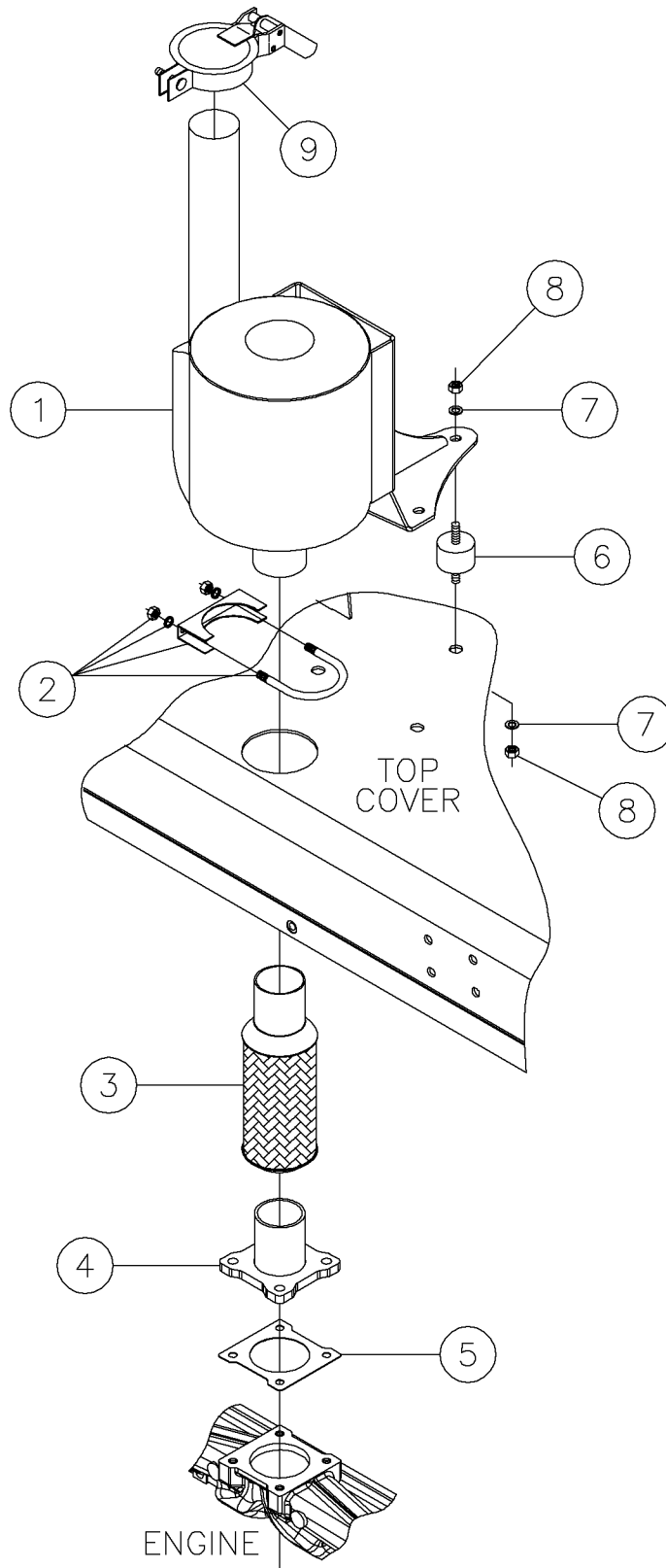
Muffler (Cummins Only) Fig 3-10r06



Muffler (Cummins Only) Fig 3-10r06

| REF. NO. | * | PART NO. | DESCRIPTION | QTY. | REMARKS |
|----------|---|---------------|---|------|-----------------------|
| | | Revision Date | May, 2005 | | Update In Parts List. |
| 1 | | 296274505 | SILENCER - 2" W/BRACKET | 1 | S/N 1202- |
| 2 | | 2609005 | MUFFLER CLAMP - 2" | 1 | |
| 3 | | 296277324 | PIPE - FLEX | 1 | |
| 4 | | 289050001 | CAP - RAIN 2" | 1 | |
| 5 | | 296278004 | GASKET - MANIFOLD FLANGE | 1 | |
| 6 | | 289068001 | MOUNT - CYLINDRICAL ISOLATOR 1.5 OD X 1.0 H | 3 | |
| 7 | | 235714001 | WASHER - FLATSTRL - .31 - .34 X .69 - .06-YZ-A325 | 6 | |
| 8 | | 240333001 | NUT-5/16-18 GR8 TL ZINC PLTD | 6 | |

Muffler (Cummins Only) Fig 3-10r05



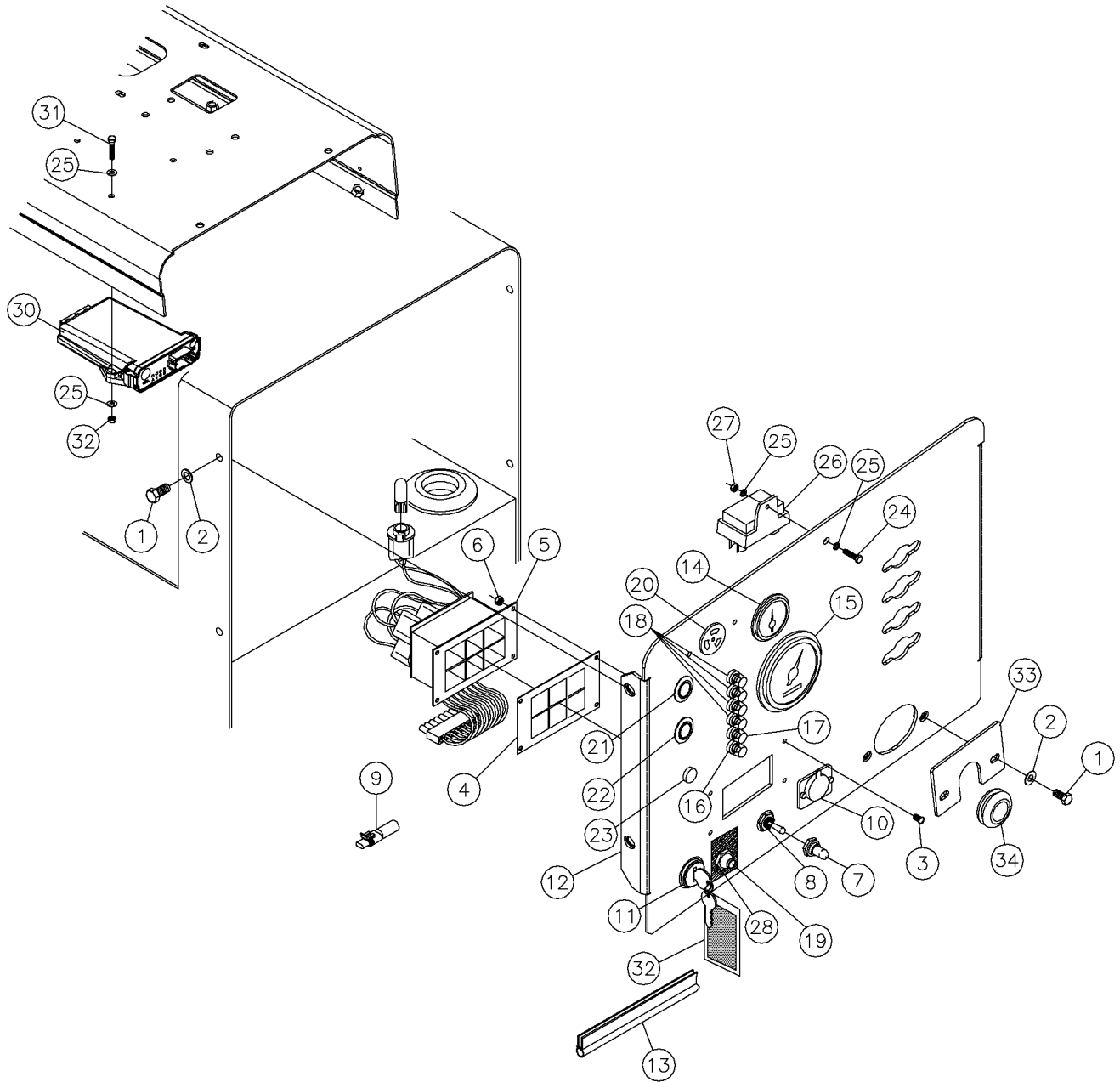
Muffler (Cummins Only) Fig 3-10r05

| REF. NO. | * | PART NO. | DESCRIPTION | QTY. | REMARKS |
|----------|---|---------------|--|------|--------------------------------------|
| | | Revision Date | September, 2004 | | Update In Illustration & Parts List. |
| 1 | | 296274505 | SILENCER - 2" W/BRACKET | 1 | |
| 2 | | 2609005 | MUFFLER CLAMP - 2" | 1 | |
| 3 | | 296274558 | TUBE - 2" ID FLEX EXHAUST | 1 | |
| 4 | | 296274557 | ADAPTER - EXHAUST | 1 | |
| 5 | | 296278004 | GASKET - MANIFOLD FLANGE | 1 | |
| 6 | | 289068001 | MOUNT - CYLINDRICAL ISOLATOR 1.5 OD X 1.0 H | 3 | |
| 7 | | 235714001 | WASHER - FLATSTRL - .31 - .34 X .69 - .06-YZ-A325 | 6 | |
| 8 | | 240333001 | NUT-5/16-18 GR8 TL ZINC PLTD | 6 | |
| 9 | | 289050001 | CAP - RAIN 2" | 1 | |

Muffler Fig 3-10r04

| REF. NO. | * | PART NO. | DESCRIPTION | QTY. | REMARKS |
|----------|---|---------------|---|------|--------------------------------------|
| | | Revision Date | July, 2002 | | Update In Illustration & Parts List. |
| | | W By P | Items Warranted By Authorized Perkins Dealers | | |
| 1 | | 251570047 | GASKET - EXH. MANIFOLD FLANGE | 1 | W By P |
| 2 | | 251555001 | MOUNT-MUFFLER | 1 | |
| 3 | | 142932001 | NUT | 3 | W By P |
| 4 | | 2609009 | MUFFLER CLAMP - 2 1/4" | 1 | |
| 5 | | 251566001 | SUPPORT-MUFFLER | 1 | |
| 6 | | 243829001 | BOLT-M8X16HHCS CL8.8DIN933 ZP | 2 | |
| 7 | | 235714001 | WASHER-5/16 SAE HARD ZINC PLTD | 2 | |
| 8 | | 235647001 | MUFFLER | 1 | |
| 9 | | 142931001 | STUD-EXHAUST OUTLET | 3 | W By P |
| 10 | | 251649001 | TAILPIPE | 1 | |
| 11 | | 2609005 | MUFFLER CLAMP - 2" | 1 | |
| 12 | | 281538001 | SUPPORT-UPPER MUFFLER | 1 | Replaces 282750001 |
| 13 | | 282756001 | CLAMP-4.5" MUFFLER | 1 | |
| 14 | * | 289049001 | PIPE - FLEX 2" | 1 | |
| 15 | * | 240333001 | NUT-5/16-18 GR8 TL ZINC PLTD | 6 | |
| 16 | * | 289068001 | MOUNT - CYLINDRICAL ISOLATOR 1.5 OD X 1.0 H | 3 | |
| 17 | * | 289048001 | MUFFLER - 2" | 1 | |
| 18 | * | 289050001 | CAP - RAIN 2" | 1 | |
| 19 | * | 235714001 | WASHER - FLATSTRL - .31 - .34 X .69 - .06-YZ-A325 | 6 | |

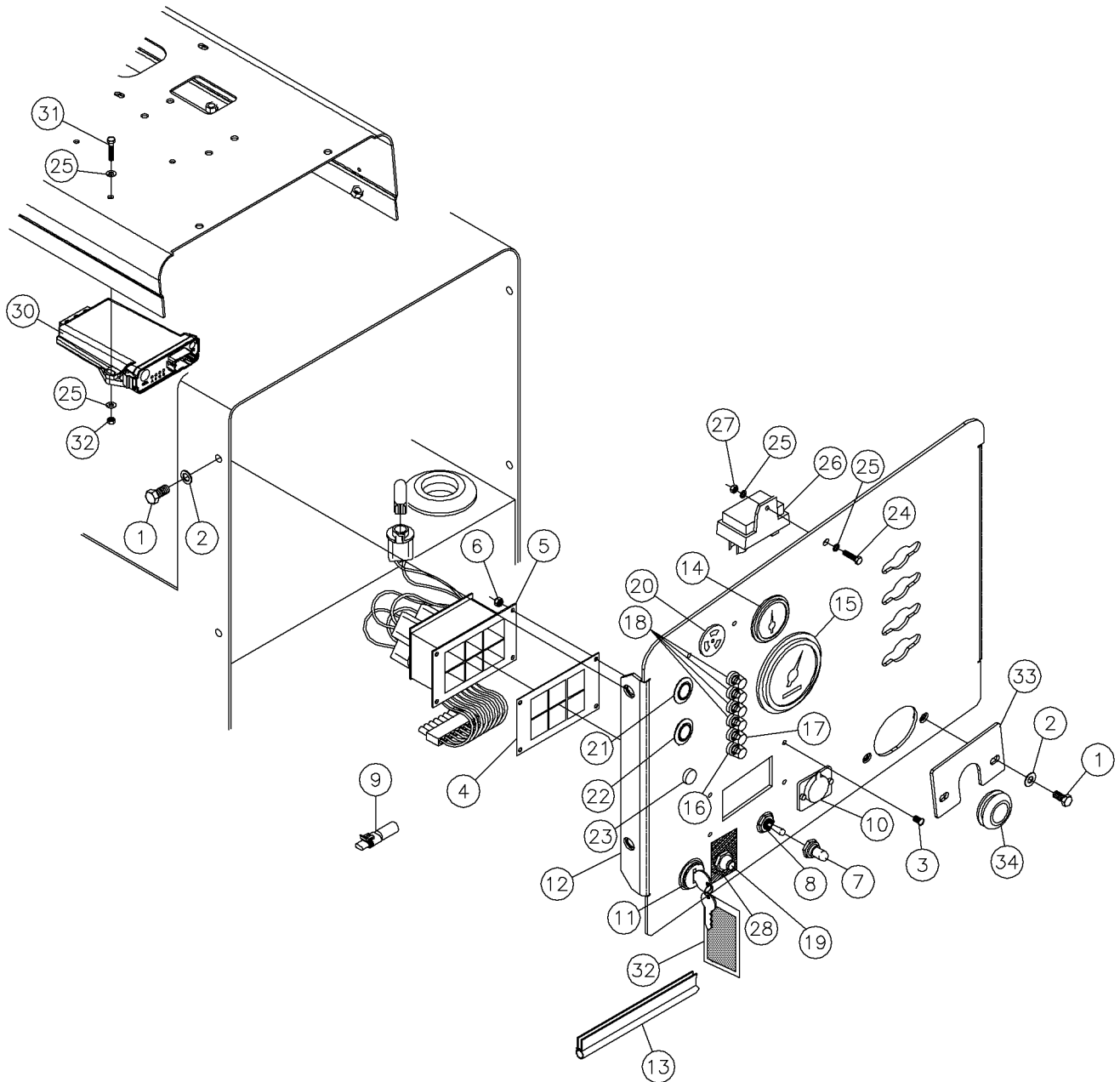
Control Panel (S/N 1400-) Fig 4-1r10



Control Panel (S/N 1400-) Fig 4-1r10

| REF. NO. | * | PART NO. | DESCRIPTION | QTY. | REMARKS |
|----------|---|---------------|---|------|-----------------------|
| | | Revision Date | May, 2006 | | Update In Parts List. |
| 1 | | 235726001 | BOLT-3/8-16X3/4 GR8 HEX ZNCPLT | 6 | |
| 2 | | 235713001 | WASHER - FLATSTRL - .38 - .41 X .81 - .06-YA-A325 | 6 | |
| | | 399001 | NUT-8-32 HEX | 2 | |
| 3 | | 63737001 | SCREW-6-32X1/2 MACHINE | 4 | |
| 4 | | 219236001 | WINDOW-DISPLAY | 1 | |
| 5 | | 251608001 | MODULE-INDICATOR LIGHT | 1 | |
| 6 | | 69757001 | LOCKNUT-#6-32 NYLON INSERT PLT | 4 | |
| 7 | | 5537001 | COVER-TOGGLE SWITCH | 2 | |
| 8 | | 67081001 | SWITCH-8510K4 CUTLER HAMMER | 1 | |
| 9 | | 251677001 | CAPACITOR-3300UF W/280 METRI-P | 1 | |
| 10 | | 236473001 | OUTLET-12 V STAINLESS | 1 | |
| | | 57200001 | SCREW-#8-32X1/2 RND.HD.MACH. | 2 | |
| | | 69759001 | LOCK NUT-#8-32 NYLON INSERT PL | 2 | |
| 11 | | 229801001 | SWITCH-IGNITION | 1 | (4 TERMINAL) |
| | | 229802001 | KEY-IGNITION SWITCH | 1 | (SET OF 2) |
| 12 | * | 286280308 | PANEL - CONTROL D16X20A | 1 | PN Change |
| 13 | | 248049001 | SEAL-BULB EDGE 1/8X 17.70 | 1 | |
| 14 | | 180006555 | GAUGE-FUEL MAXIMA | 1 | |
| 15 | | 98933001 | GAUGE-TACHOMETER O-3000 RPM | 1 | |
| 16 | | 72082001 | BREAKER 2-5700--514-DD 22 AMP | 1 | |
| | | 89597001 | COVER-BREAKER SWITCH | 1 | |
| 17 | | 72081001 | BREAKER 2-5700-514 DD 15 AMP | 1 | |
| | | 89597001 | COVER-BREAKER SWITCH | 1 | |
| 18 | | 78107001 | BREAKER-CIRCUIT 10AMP | 4 | |
| | | 89597001 | COVER-BREAKER SWITCH | 4 | |
| | | 251507001 | WIRE HARNESS - D16X20A | 1 | S/N 101-385 |
| 19 | | 12543001 | SWITCH-1996097 DETROIT PSH BUT REF T08975 | 1 | S/N 1328- |
| 20 | | 285617001 | HORN - ZAP ALERT 2 PIN DEUTCSH | 1 | |
| | | 905001001 | BOLT-8-32 X 2 STOVE | 2 | |
| | | 904995001 | WASHER-8 INTERNAL STAR | 2 | |
| | | | Continued On Next Page | | |

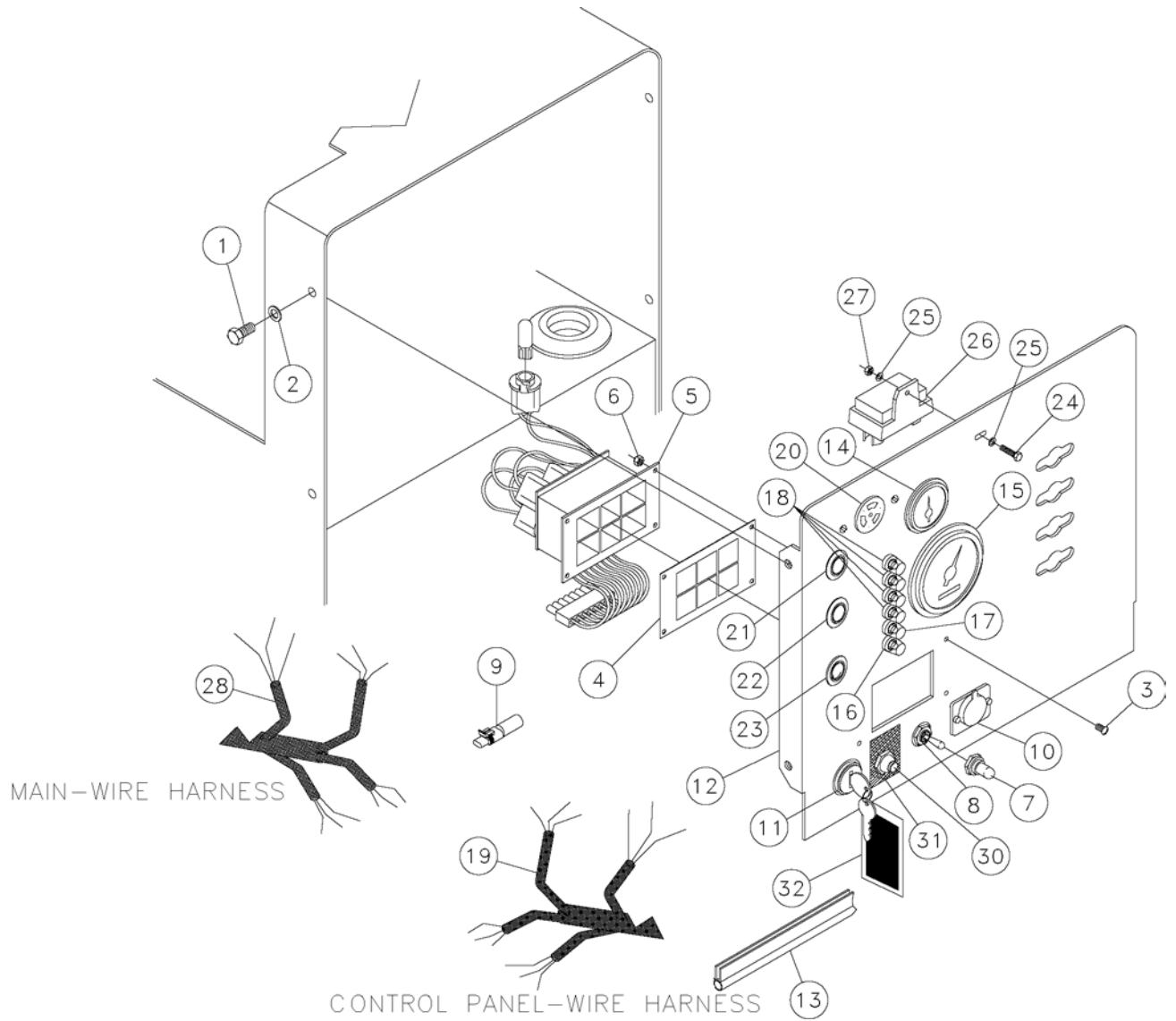
Control Panel (S/N 1400-) (Continued) Fig 4-1r10



Control Panel (S/N 1400-) (Continued) Fig 4-1r10

| REF. NO. | * | PART NO. | DESCRIPTION | QTY. | REMARKS |
|----------|---|---------------|---|------|-----------------------|
| | | Revision Date | May, 2006 | | Update In Parts List. |
| 21 | | 277695001 | SWITCH - PUSH BUTTON ZAP ALERT RESET | 1 | |
| 22 | | 277696001 | SWITCH - PUSH BUTTON ZAP ALERT VOLTAGE TEST | 1 | |
| 23 | | 277697001 | SWITCH - PUSH BUTTON ZAP ALERT CURRENT TEST | 1 | |
| 24 | | 235734001 | BOLT-1/4-20X3/4 GR8 ZINC PLTD | 1 | |
| 25 | | 235716001 | WASHER - FLATSTRL - .25 -.28 X .63 - .06 - CZ | 8 | |
| 26 | | 251570049 | CONTROLLER - GLOW PLUG | 1 | |
| 27 | | 235732001 | NUT - HEX - .25 - 20 - GR8 - YZ | 1 | |
| 28 | | 7000C072 | DECAL - GLOW PLUG | 1 | S/N 1328 |
| 29 | | 296264000 | REMOTE ENGINE/HYDRAULIC LOCKOUT CARD | 1 | |
| 30 | | 296270163 | ASM, STRIKEALERT BLANK | 1 | |
| 31 | | 250008001 | BOLT 1/4-20 X 1 1/4 ZINC PL | 3 | |
| 32 | | 235732001 | NUT - HEX - .25 - 20 - GR8 - YZ | 3 | |
| 33 | | 296277306 | PLATE - COVER | 1 | |
| 34 | | 1865017 | GROMMET-7/8IDX1.25OD 1/4GROOVE | 1 | |

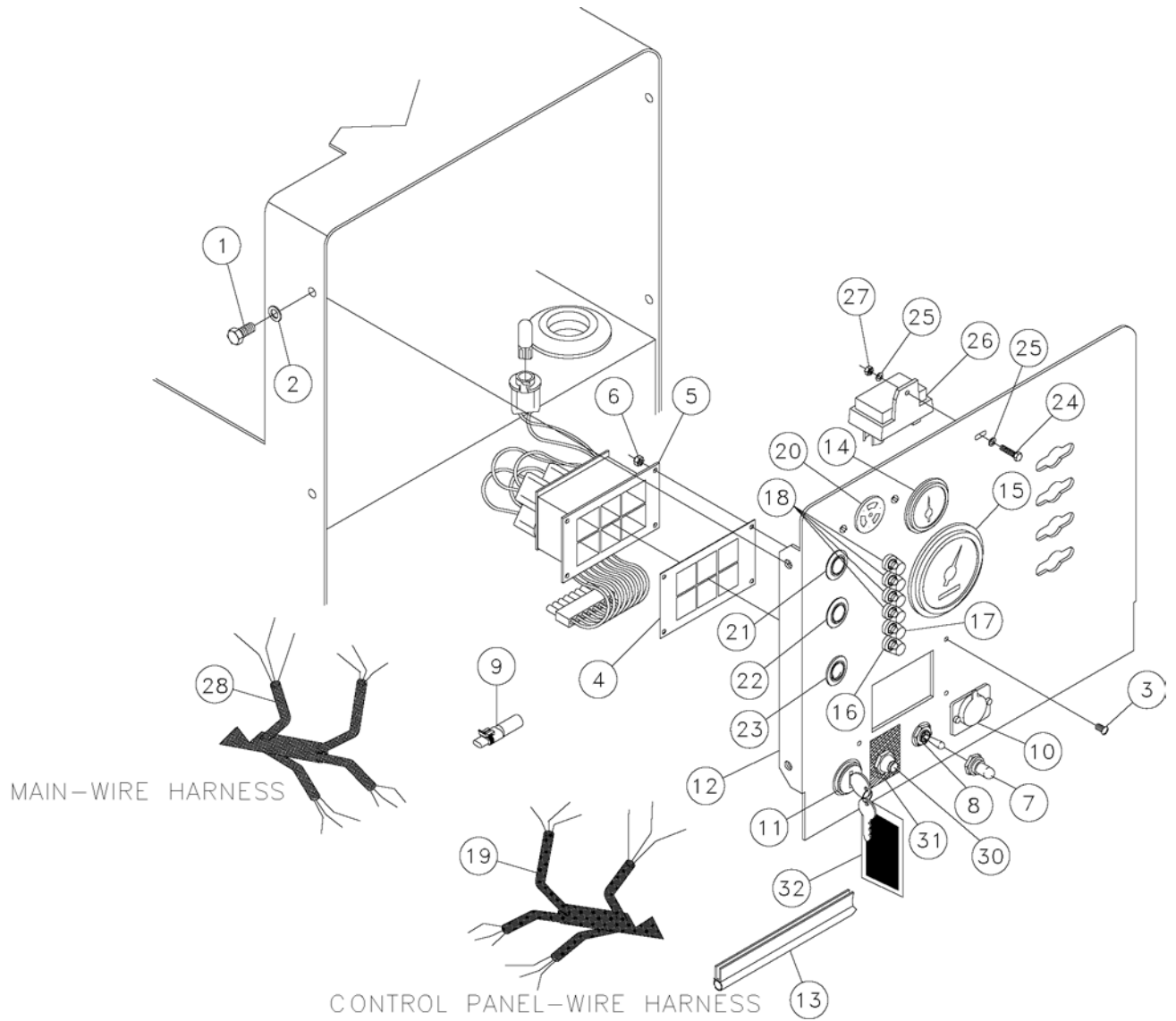
Control Panel Fig 4-1r09



Control Panel Fig 4-1r09

| REF. NO. | * | PART NO. | DESCRIPTION | QTY. | REMARKS |
|----------|---|---------------|---|------|--------------------------------|
| | | Revision Date | October, 2005 | | Update In Illus. & Parts List. |
| 1 | | 235726001 | BOLT-3/8-16X3/4 GR8 HEX ZNCPLT | 4 | |
| 2 | | 235713001 | WASHER - FLATSTRL - .38 - .41 X .81 - .06-YA-A325 | 4 | |
| | | 399001 | NUT-8-32 HEX | 2 | |
| 3 | | 63737001 | SCREW-6-32X1/2 MACHINE | 4 | |
| 4 | | 219236001 | WINDOW-DISPLAY | 1 | |
| 5 | | 251608001 | MODULE-INDICATOR LIGHT | 1 | |
| 6 | | 69757001 | LOCKNUT-#6-32 NYLON INSERT PLT | 4 | |
| 7 | | 5537001 | COVER-TOGGLE SWITCH | 2 | |
| 8 | | 67081001 | SWITCH-8510K4 CUTLER HAMMER | 1 | |
| 9 | | 251677001 | CAPACITOR-3300UF W/280 METRI-P | 1 | |
| 10 | | 236473001 | OUTLET-12 V STAINLESS | 1 | |
| | | 57200001 | SCREW-#8-32X1/2 RND.HD.MACH. | 2 | |
| | | 69759001 | LOCK NUT-#8-32 NYLON INSERT PL | 2 | |
| 11 | | 229801001 | SWITCH-IGNITION | 1 | (4 TERMINAL) |
| | | 229802001 | KEY-IGNITION SWITCH | 1 | (SET OF 2) |
| 12 | * | 286280308 | PANEL - CONTROL D16X20A | 1 | PN Change |
| 13 | | 248049001 | SEAL-BULB EDGE 1/8X 17.70 | 1 | |
| 14 | | 180006555 | GAUGE-FUEL MAXIMA | 1 | |
| 15 | | 98933001 | GAUGE-TACHOMETER O-3000 RPM | 1 | |
| 16 | | 72082001 | BREAKER 2-5700--514-DD 22 AMP | 1 | |
| | | 89597001 | COVER-BREAKER SWITCH | 1 | |
| 17 | | 72081001 | BREAKER 2-5700-514 DD 15 AMP | 1 | |
| | | 89597001 | COVER-BREAKER SWITCH | 1 | |
| 18 | | 78107001 | BREAKER-CIRCUIT 10AMP | 4 | |
| | | 89597001 | COVER-BREAKER SWITCH | 4 | |
| 19 | | 282528001 | WIRE HARNESS - D 16 X 20A PANEL | 1 | S/N 780- |
| 20 | | 285617001 | HORN - ZAP ALERT 2 PIN DEUTCSH | 1 | |
| | | 905001001 | BOLT-8-32 X 2 STOVE | 2 | |
| | | 904995001 | WASHER-8 INTERNAL STAR | 2 | |
| | | | Continue On Next Page | | |

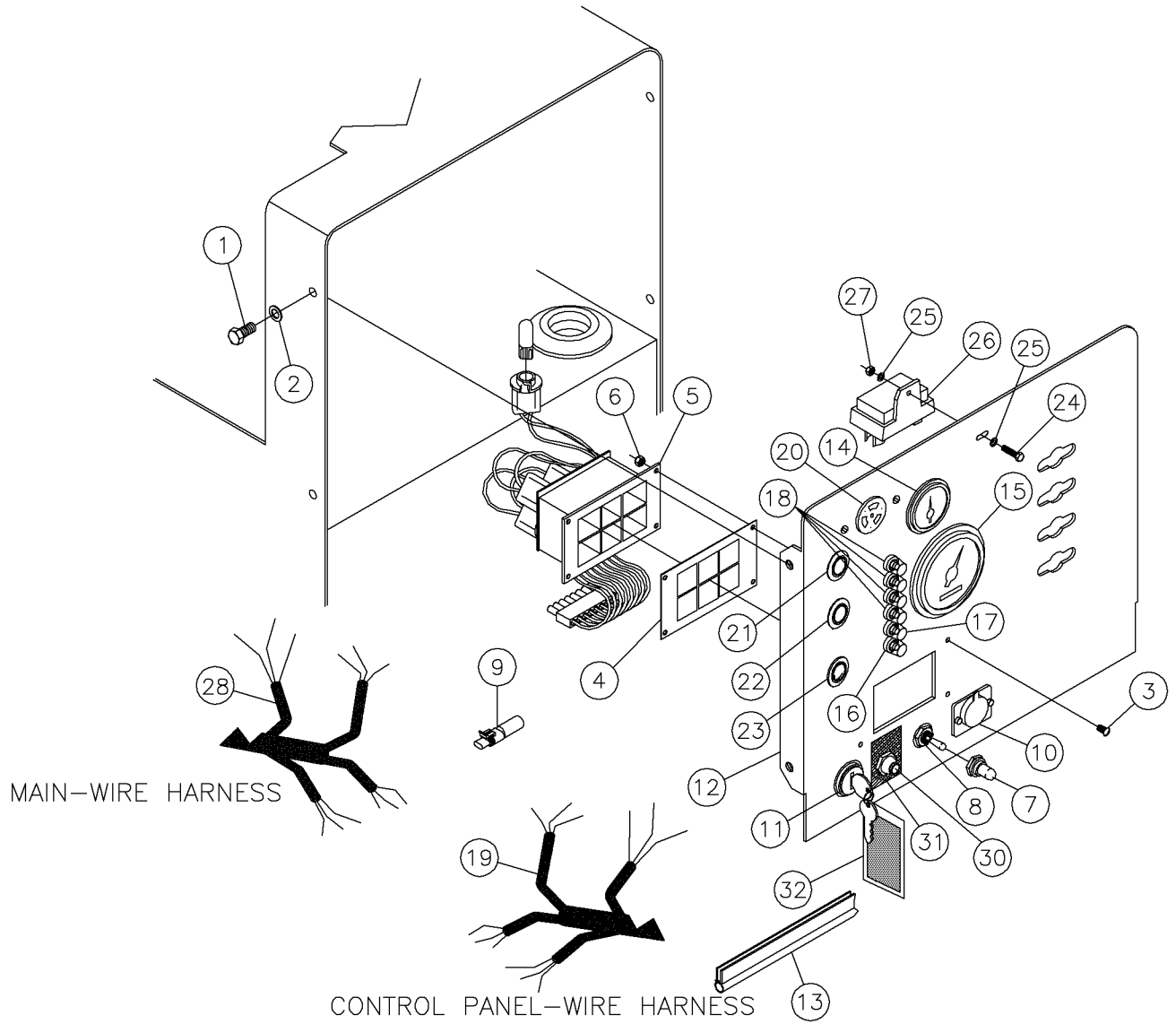
Control Panel (Continued) Fig 4-1r09



Control Panel (Continued) Fig 4-1r09

| REF. NO. | * | PART NO. | DESCRIPTION | QTY. | REMARKS |
|----------|---|---------------|---|------|--------------------------------|
| | | Revision Date | October, 2005 | | Update In Illus. & Parts List. |
| 21 | | 277695001 | SWITCH - PUSH BUTTON ZAP ALERT RESET | 1 | |
| 22 | | 277696001 | SWITCH - PUSH BUTTON ZAP ALERT VOLTAGE TEST | 1 | |
| 23 | | 277697001 | SWITCH - PUSH BUTTON ZAP ALERT CURRENT TEST | 1 | |
| 24 | | 235734001 | BOLT-1/4-20X3/4 GR8 ZINC PLTD | 1 | |
| 25 | | 235716001 | WASHER - FLATSTRL - .25 -.28 X .63 - .06 - CZ | 2 | |
| 26 | | 251570049 | CONTROLLER - GLOW PLUG | 1 | |
| 27 | | 235732001 | NUT - HEX - .25 - 20 - GR8 - YZ | 1 | |
| 28 | | 287725001 | HARNESS - D16X20A MAIN | 1 | S/N 1095- |
| 29 | | 296264000 | REMOTE ENGINE/HYDRAULIC LOCKOUT CARD | 1 | |
| 30 | | 12543001 | SWITCH-1996097 DETROIT PSH BUT | 1 | S/N 1328- |
| 31 | | 7000C072 | DECAL - GLOW PLUG | 1 | S/N 1328- |

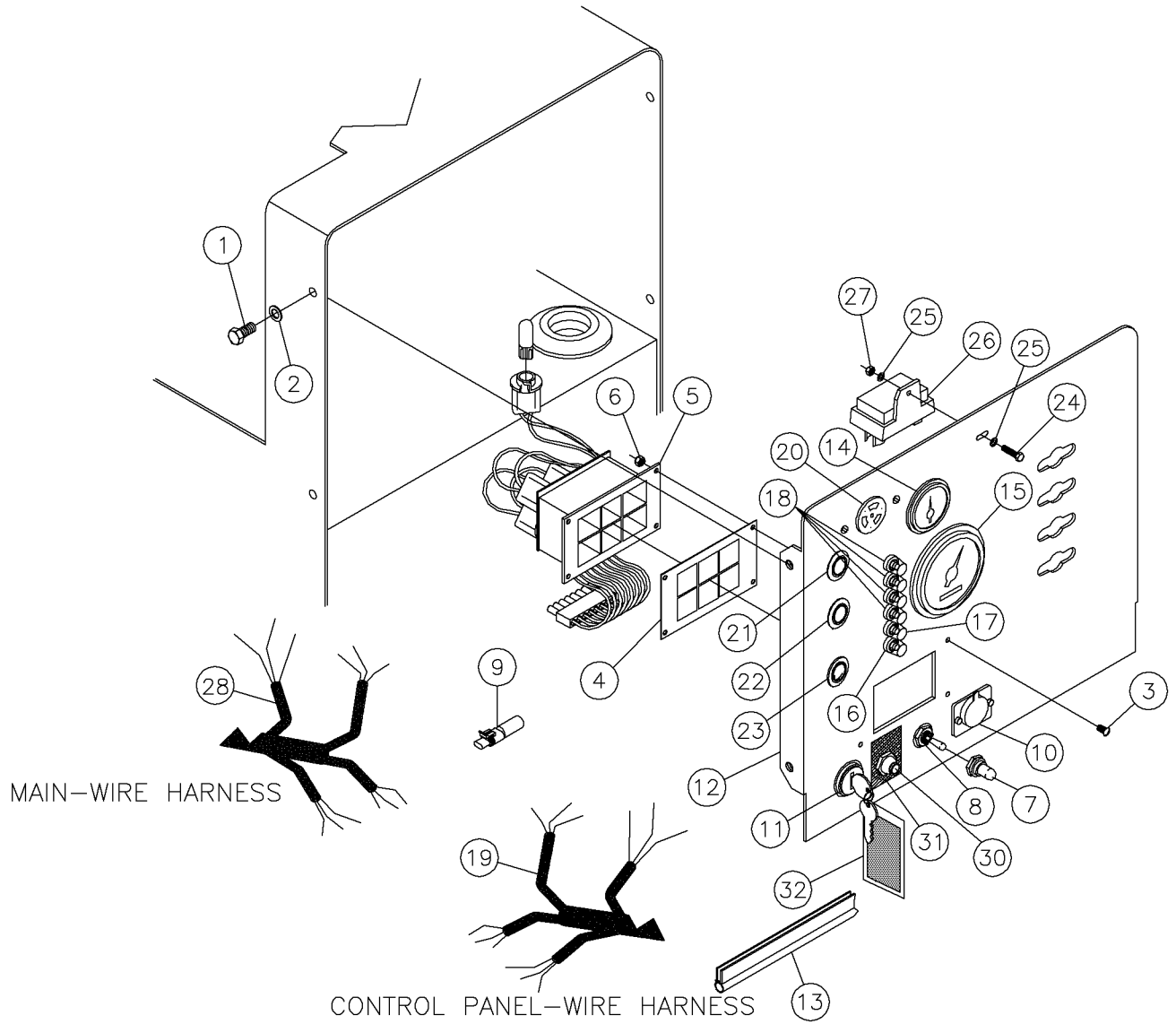
Control Panel Fig 4-1r08



Control Panel Fig 4-1r08

| REF. NO. | * | PART NO. | DESCRIPTION | QTY. | REMARKS |
|----------|---|---------------|---|------|--------------------------------------|
| | | Revision Date | July, 2005 | | Update In Illustration & Parts List. |
| 1 | | 235726001 | BOLT-3/8-16X3/4 GR8 HEX ZNCPLT | 4 | |
| 2 | | 235713001 | WASHER - FLATSTRL - .38 - .41 X .81 - .06-YA-A325 | 4 | |
| | | 399001 | NUT-8-32 HEX | 2 | |
| 3 | | 63737001 | SCREW-6-32X1/2 MACHINE | 4 | |
| 4 | | 219236001 | WINDOW-DISPLAY | 1 | |
| 5 | | 251608001 | MODULE-INDICATOR LIGHT | 1 | |
| 6 | | 69757001 | LOCKNUT-#6-32 NYLON INSERT PLT | 4 | |
| 7 | | 5537001 | COVER-TOGGLE SWITCH | 2 | |
| 8 | | 67081001 | SWITCH-8510K4 CUTLER HAMMER | 1 | |
| 9 | | 251677001 | CAPACITOR-3300UF W/280 METRI-P | 1 | |
| 10 | | 236473001 | OUTLET-12 V STAINLESS | 1 | |
| | | 57200001 | SCREW-#8-32X1/2 RND.HD.MACH. | 2 | |
| | | 69759001 | LOCK NUT-#8-32 NYLON INSERT PL | 2 | |
| 11 | | 229801001 | SWITCH-IGNITION (4 TERMINAL) | 1 | |
| | | 229802001 | KEY-IGNITION SWITCH (SET OF 2) | 1 | |
| 12 | | 289198001 | PANEL - CONTROL D16X20A | 1 | |
| 13 | | 248049001 | SEAL-BULB EDGE 1/8X 17.70 | 1 | |
| 14 | | 180006555 | GAUGE-FUEL MAXIMA | 1 | |
| 15 | | 98933001 | GAUGE-TACHOMETER O-3000 RPM | 1 | |
| 16 | | 72082001 | BREAKER 2-5700--514-DD 22 AMP | 1 | |
| | | 89597001 | COVER-BREAKER SWITCH | 1 | |
| 17 | | 72081001 | BREAKER 2-5700-514 DD 15 AMP | 1 | |
| | | 89597001 | COVER-BREAKER SWITCH | 1 | |
| 18 | | 78107001 | BREAKER-CIRCUIT 10AMP | 4 | |
| | | 89597001 | COVER-BREAKER SWITCH | 4 | |
| 19 | | 282528001 | WIRE HARNESS - D 16 X 20A PANEL | 1 | S/N 780- |
| 20 | | 285617001 | HORN - ZAP ALERT 2 PIN DEUTC SH | 1 | |
| | | 905001001 | BOLT-8-32 X 2 STOVE | 2 | |
| | | 904995001 | WASHER-8 INTERNAL STAR | 2 | |
| | | | | | |
| | | | Continue On Next Page | | |

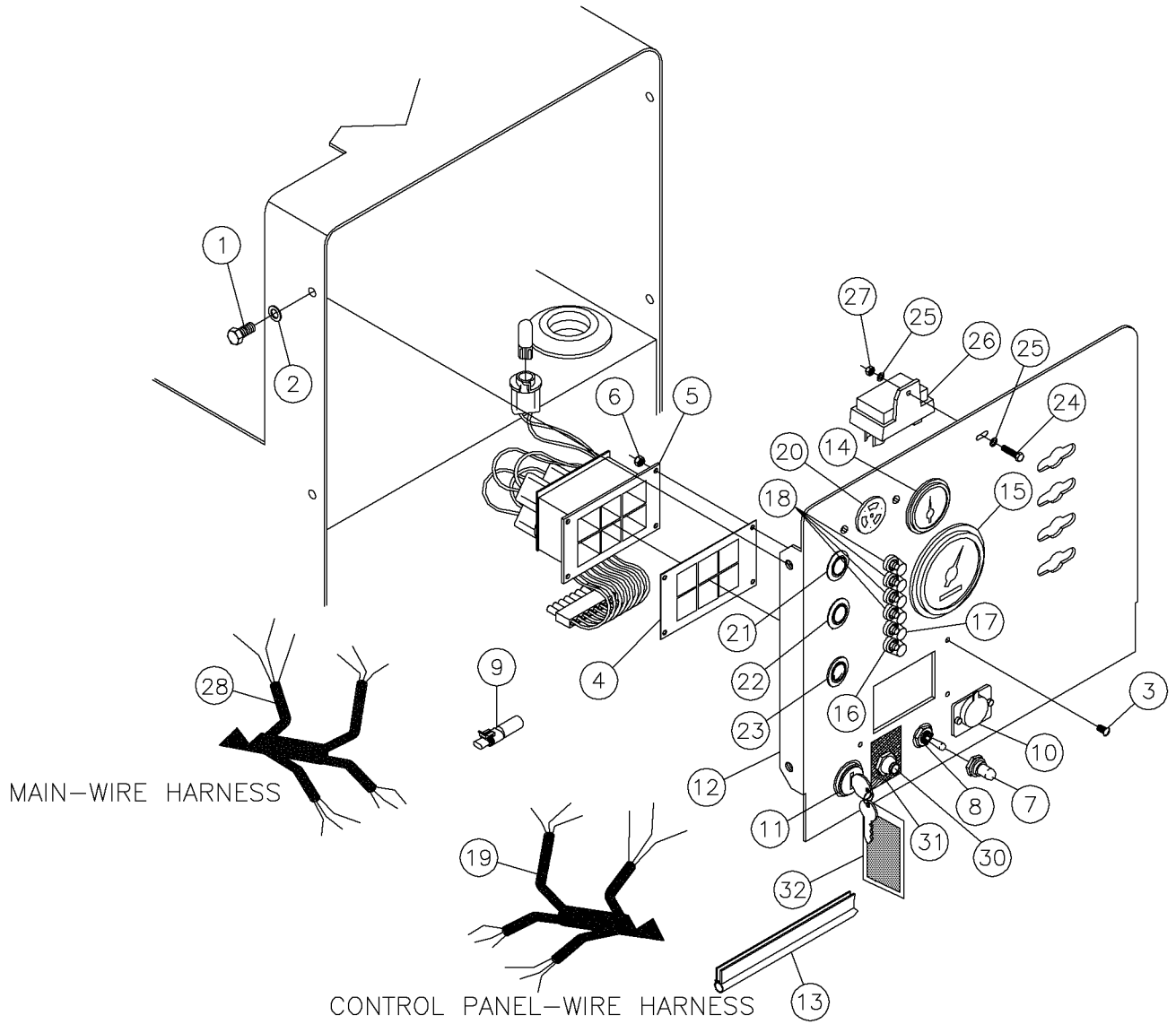
Control Panel (Continued) Fig 4-1r08



Control Panel (Continued) Fig 4-1r08

| REF. NO. | * | PART NO. | DESCRIPTION | QTY. | REMARKS |
|----------|---|---------------|---|------|--------------------------------------|
| | | Revision Date | July, 2005 | | Update In Illustration & Parts List. |
| 21 | | 277695001 | SWITCH - PUSH BUTTON ZAP ALERT RESET | 1 | |
| 22 | | 277696001 | SWITCH - PUSH BUTTON ZAP ALERT VOLTAGE TEST | 1 | |
| 23 | | 277697001 | SWITCH - PUSH BUTTON ZAP ALERT CURRENT TEST | 1 | |
| 24 | | 235734001 | BOLT-1/4-20X3/4 GR8 ZINC PLTD | 1 | |
| 25 | | 235716001 | WASHER - FLATSTRL - .25 -.28 X .63 - .06 - CZ | 2 | |
| 26 | | 251570049 | CONTROLLER - GLOW PLUG | 1 | |
| 27 | | 235732001 | NUT - HEX - .25 - 20 - GR8 - YZ | 1 | |
| 28 | | 287725001 | HARNESS - D16X20A MAIN | 1 | S/N 1095- |
| 29 | | 296264000 | REMOTE ENGINE/HYDRAULIC LOCKOUT CARD | 1 | |
| 30 | | 12543001 | SWITCH-1996097 DETROIT PSH BUT | 1 | S/N 1328- |
| 31 | | 7000C072 | DECAL - GLOW PLUG | 1 | S/N 1328- |

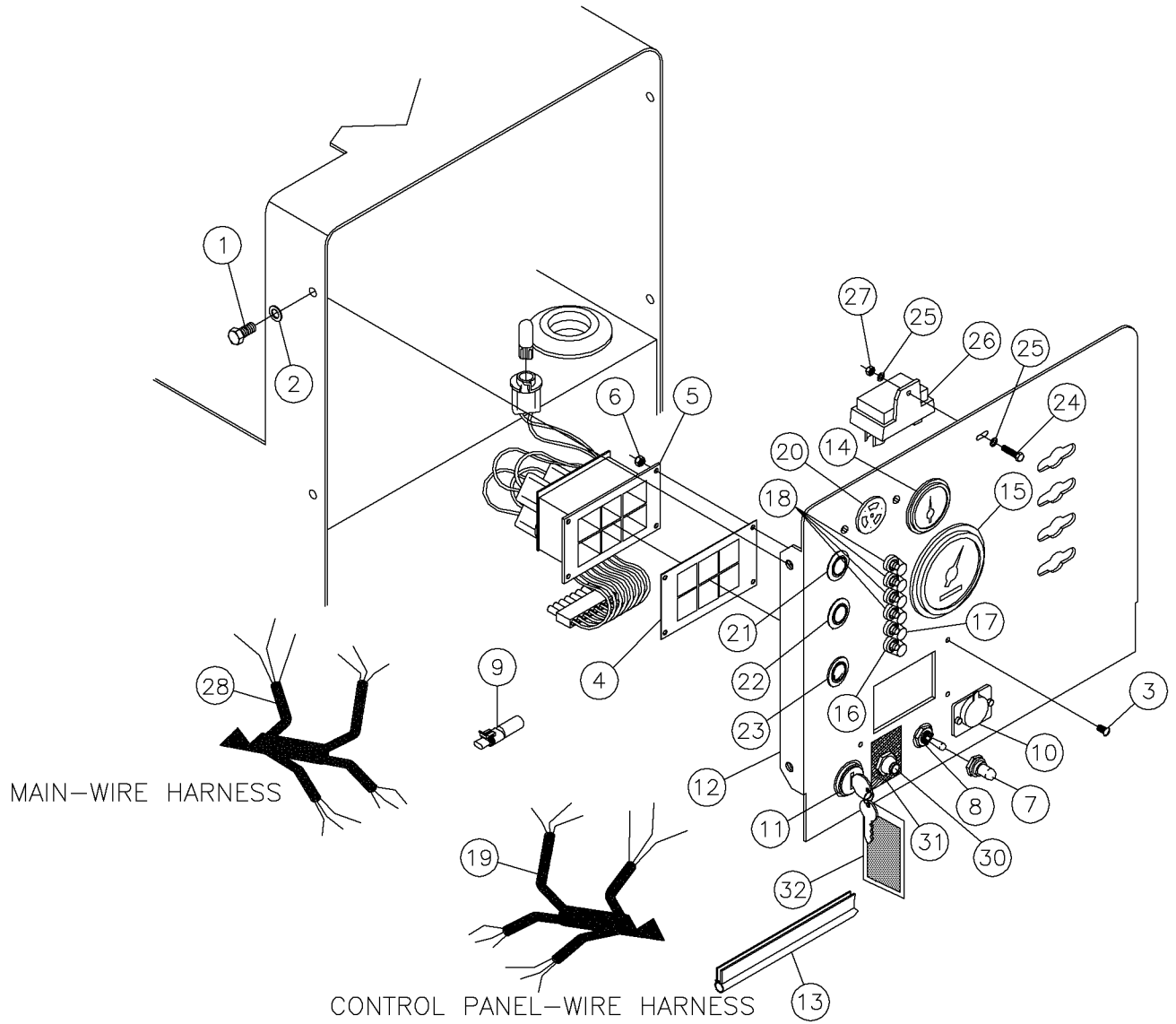
Control Panel Fig 4-1r07



Control Panel Fig 4-1r07

| REF. NO. | * | PART NO. | DESCRIPTION | QTY. | REMARKS |
|----------|---|---------------|---|------|--------------------------------------|
| | | Revision Date | May, 2005 | | Update In Illustration & Parts List. |
| 1 | | 235726001 | BOLT-3/8-16X3/4 GR8 HEX ZNCPLT | 4 | |
| 2 | | 235713001 | WASHER - FLATSTRL - .38 - .41 X .81 - .06-YA-A325 | 4 | |
| | | 399001 | NUT-8-32 HEX | 2 | |
| 3 | | 63737001 | SCREW-6-32X1/2 MACHINE | 4 | |
| 4 | | 219236001 | WINDOW-DISPLAY | 1 | |
| 5 | | 251608001 | MODULE-INDICATOR LIGHT | 1 | |
| 6 | | 69757001 | LOCKNUT-#6-32 NYLON INSERT PLT | 4 | |
| 7 | | 5537001 | COVER-TOGGLE SWITCH | 2 | |
| 8 | | 67081001 | SWITCH-8510K4 CUTLER HAMMER | 1 | |
| 9 | | 251677001 | CAPACITOR-3300UF W/280 METRI-P | 1 | |
| 10 | | 236473001 | OUTLET-12 V STAINLESS | 1 | |
| | | 57200001 | SCREW-#8-32X1/2 RND.HD.MACH. | 2 | |
| | | 69759001 | LOCK NUT-#8-32 NYLON INSERT PL | 2 | |
| 11 | | 229801001 | SWITCH-IGNITION (4 TERMINAL) | 1 | |
| | | 229802001 | KEY-IGNITION SWITCH (SET OF 2) | 1 | |
| 12 | | 289198001 | PANEL - CONTROL D16X20A | 1 | |
| 13 | | 248049001 | SEAL-BULB EDGE 1/8X 17.70 | 1 | |
| 14 | | 180006555 | GAUGE-FUEL MAXIMA | 1 | |
| 15 | | 98933001 | GAUGE-TACHOMETER O-3000 RPM | 1 | |
| 16 | | 72082001 | BREAKER 2-5700--514-DD 22 AMP | 1 | |
| | | 89597001 | COVER-BREAKER SWITCH | 1 | |
| 17 | | 72081001 | BREAKER 2-5700-514 DD 15 AMP | 1 | |
| | | 89597001 | COVER-BREAKER SWITCH | 1 | |
| 18 | | 78107001 | BREAKER-CIRCUIT 10AMP | 4 | |
| | | 89597001 | COVER-BREAKER SWITCH | 4 | |
| 19 | | 282528001 | WIRE HARNESS - D 16 X 20A PANEL | 1 | S/N 780- |
| 20 | | 904346001 | BUZZER | 1 | |
| | | 905001001 | BOLT-8-32 X 2 STOVE | 2 | |
| | | 904995001 | WASHER-8 INTERNAL STAR | 2 | |
| | | | | | |
| | | | Continue On Next Page | | |

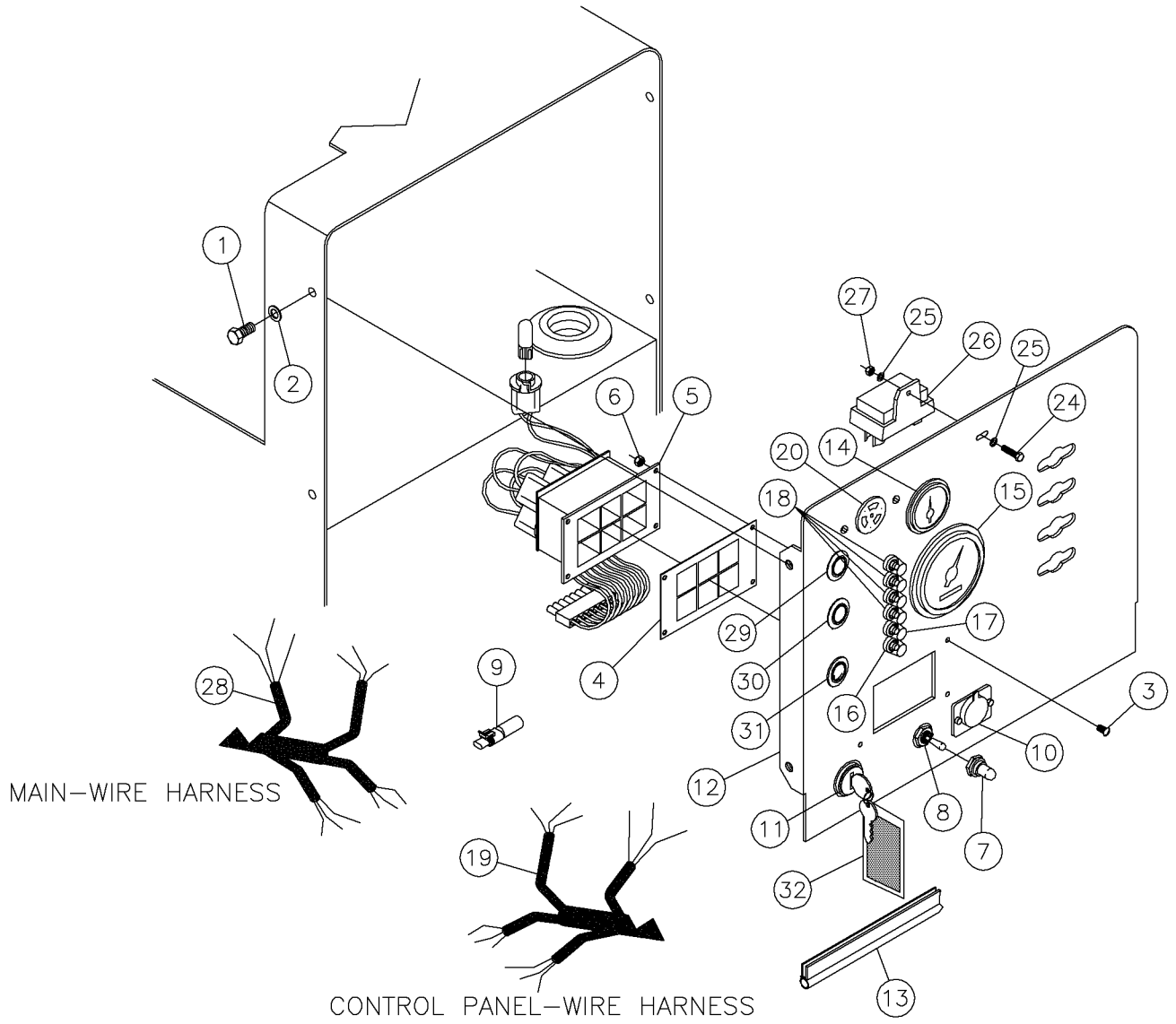
Control Panel (Continued) Fig 4-1r07



Control Panel (Continued) Fig 4-1r07

| REF. NO. | * | PART NO. | DESCRIPTION | QTY. | REMARKS |
|----------|---|---------------|---|------|--------------------------------------|
| | | Revision Date | May, 2005 | | Update In Illustration & Parts List. |
| 21 | | 277695001 | SWITCH - PUSH BUTTON ZAP ALERT RESET | 1 | |
| 22 | | 277696001 | SWITCH - PUSH BUTTON ZAP ALERT VOLTAGE TEST | 1 | |
| 23 | | 277697001 | SWITCH - PUSH BUTTON ZAP ALERT CURRENT TEST | 1 | |
| 24 | | 235734001 | BOLT-1/4-20X3/4 GR8 ZINC PLTD | 1 | |
| 25 | | 235716001 | WASHER - FLATSTRL - .25 -.28 X .63 - .06 - CZ | 2 | |
| 26 | | 251570049 | CONTROLLER - GLOW PLUG | 1 | |
| 27 | | 235732001 | NUT - HEX - .25 - 20 - GR8 - YZ | 1 | |
| 28 | | 287725001 | HARNESS - D16X20A MAIN | 1 | S/N 1095- |
| 29 | | 296264000 | REMOTE ENGINE/HYDRAULIC LOCKOUT CARD | 1 | |
| 30 | | 12543001 | SWITCH-1996097 DETROIT PSH BUT | 1 | S/N 1328- |
| 31 | | 7000C072 | DECAL - GLOW PLUG | 1 | S/N 1328- |

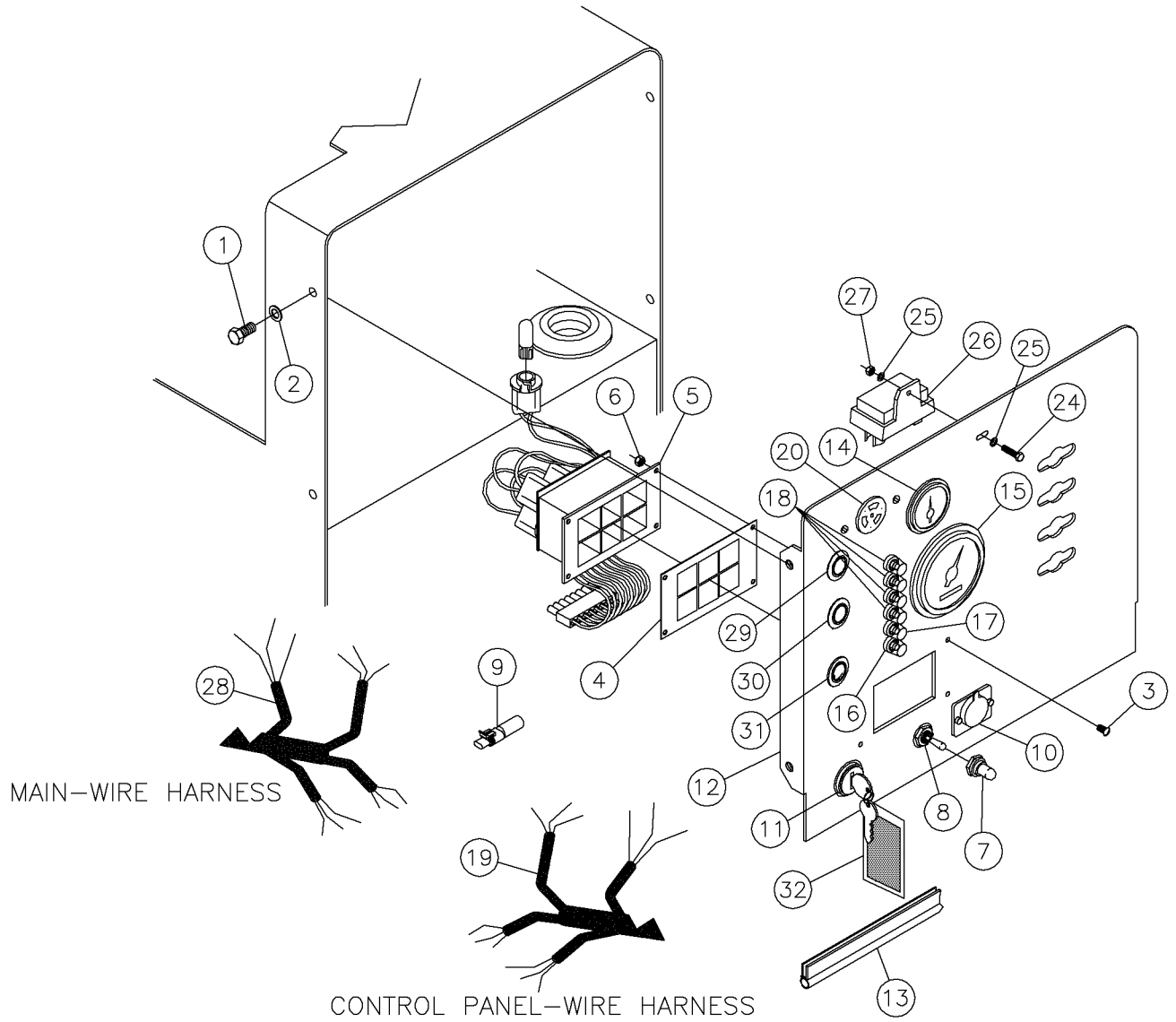
Control Panel Fig 4-1r06



Control Panel Fig 4-1r06

| REF. NO. | * | PART NO. | DESCRIPTION | QTY. | REMARKS |
|----------|---|---------------|---|------|--------------------------------------|
| | | Revision Date | September, 2004 | | Update In Illustration & Parts List. |
| 1 | | 235726001 | BOLT-3/8-16X3/4 GR8 HEX ZNCPLT | 4 | |
| 2 | | 235713001 | WASHER - FLATSTRL - .38 - .41 X .81 - .06-YA-A325 | 4 | |
| | | 399001 | NUT-8-32 HEX | 2 | |
| 3 | | 63737001 | SCREW-6-32X1/2 MACHINE | 4 | |
| 4 | | 219236001 | WINDOW-DISPLAY | 1 | |
| 5 | | 251608001 | MODULE-INDICATOR LIGHT | 1 | |
| 6 | | 69757001 | LOCKNUT-#6-32 NYLON INSERT PLT | 4 | |
| 7 | | 5537001 | COVER-TOGGLE SWITCH | 2 | |
| 8 | | 67081001 | SWITCH-8510K4 CUTLER HAMMER | 1 | |
| 9 | | 251677001 | CAPACITOR-3300UF W/280 METRI-P | 1 | |
| 10 | | 236473001 | OUTLET-12 V STAINLESS | 1 | |
| | | 57200001 | SCREW-#8-32X1/2 RND.HD.MACH. | 2 | |
| | | 69759001 | LOCK NUT-#8-32 NYLON INSERT PL | 2 | |
| 11 | | 229801001 | SWITCH-IGNITION (4 TERMINAL) | 1 | |
| | | 229802001 | KEY-IGNITION SWITCH (SET OF 2) | 1 | |
| 12 | | 289198001 | PANEL - CONTROL D16X20A | 1 | |
| 13 | | 248049001 | SEAL-BULB EDGE 1/8X 17.70 | 1 | |
| 14 | | 201786001 | GAUGE-FUEL DATCON 810EM | 1 | |
| 15 | | 98933001 | GAUGE-TACHOMETER O-3000 RPM | 1 | |
| 16 | | 72082001 | BREAKER 2-5700--514-DD 22 AMP | 1 | |
| | | 89597001 | COVER-BREAKER SWITCH | 1 | |
| 17 | | 72081001 | BREAKER 2-5700-514 DD 15 AMP | 1 | |
| | | 89597001 | COVER-BREAKER SWITCH | 1 | |
| 18 | | 78107001 | BREAKER-CIRCUIT 10AMP | 4 | |
| | | 89597001 | COVER-BREAKER SWITCH | 4 | |
| 19 | | 282861001 | HARNESS | 1 | S/N 101-385, 387-461-779 |
| | | 282528001 | WIRE HARNESS - D 16 X 20A PANEL | 1 | S/N 780- |
| 20 | | 904346001 | BUZZER | 1 | |
| | | 905001001 | BOLT-8-32 X 2 STOVE | 2 | |
| | | 904995001 | WASHER-8 INTERNAL STAR | 2 | |
| | | | | | |
| | | | Continue On Next Page | | |

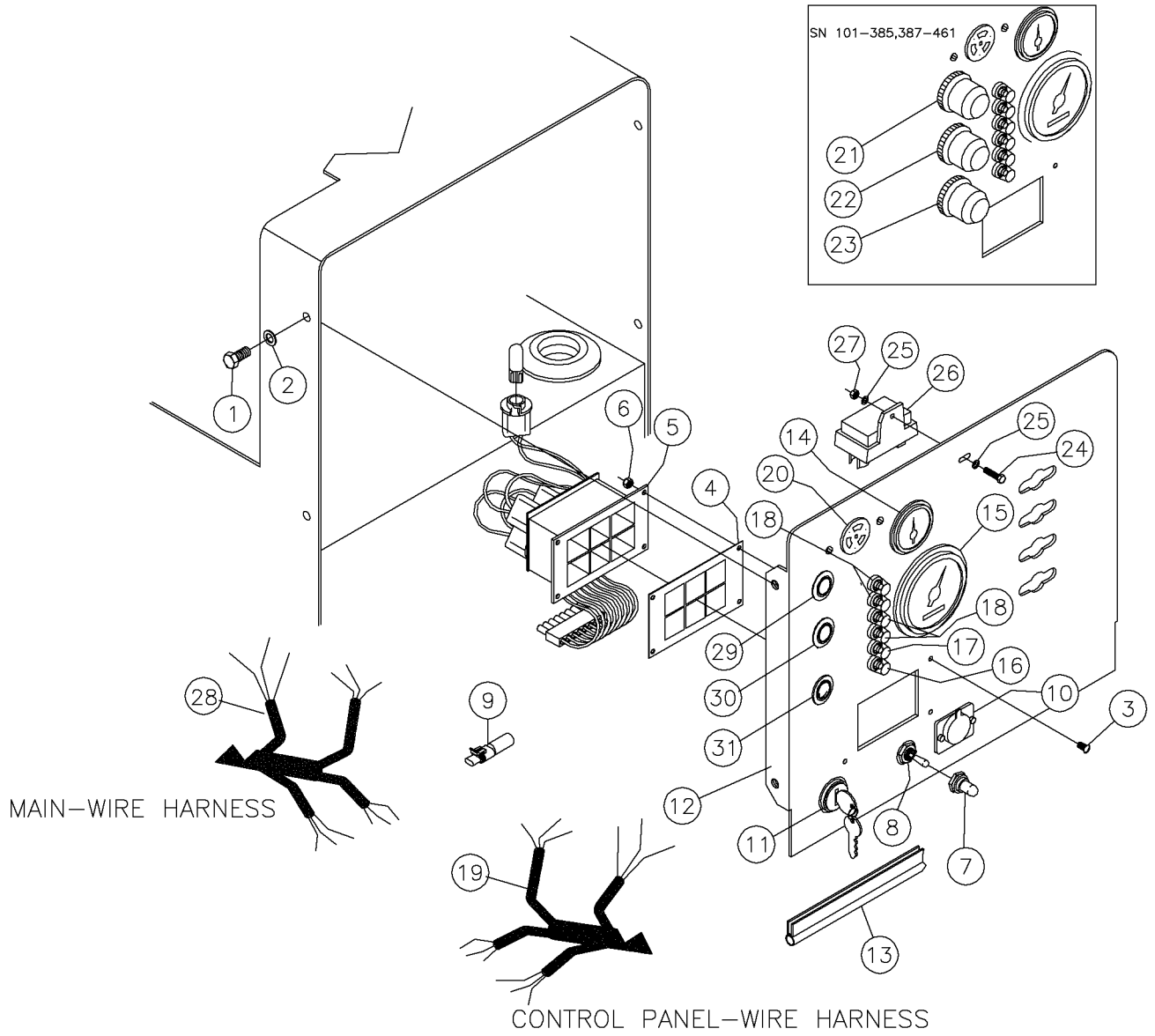
Control Panel (Continued) Fig 4-1r06



Control Panel (Continued) Fig 4-1r06

| REF. NO. | * | PART NO. | DESCRIPTION | QTY. | REMARKS |
|----------|---|---------------|---|------|--------------------------------------|
| | | Revision Date | September, 2004 | | Update In Illustration & Parts List. |
| 21 | | 215995001 | STRIKE ALERT RESET BUTTON ASSY | 1 | S/N 101-385, 387-461 |
| | | 215996001 | BUTTON-BLACK EXTENDED CONTACT | 1 | |
| | | 215997001 | BOOT-BLACK RUBBER | 1 | |
| | | 215998001 | BLOCK-N.C. CONTACT | 1 | |
| 22 | | 215991001 | STRIKE ALERT TEST BUTTON ASSY | 1 | S/N 101-385, 387-461 |
| | | 215993001 | BOOT-GREEN RUBBER | 1 | |
| | | 215994001 | BLOCK-N.O. CONTACT | 1 | |
| | | 251992001 | STRIKER RING - FRONT 7" | 1 | |
| 23 | | 226209001 | BUTTON ASSY-CURRENT TEST | 1 | S/N 101-385, 387-461 |
| | | 215993001 | BOOT-GREEN RUBBER | 1 | |
| | | 904423001 | CONTACT BLOCK | 1 | |
| | | 215992001 | BUTTON-GREEN FLUSH CONTACT | 1 | |
| 24 | | 235734001 | BOLT-1/4-20X3/4 GR8 ZINC PLTD | 1 | |
| 25 | | 235716001 | WASHER - FLATSTRL - .25 -.28 X .63 - .06 - CZ | 2 | |
| 26 | | 251570049 | CONTROLLER - GLOW PLUG | 1 | |
| 27 | | 235732001 | NUT - HEX - .25 - 20 - GR8 - YZ | 1 | |
| 28 | | 282527001 | WIRE HARNESS D 16X20A MAIN | 1 | S/N 386, 461-779 |
| | | 282860001 | MAIN WIRE HARNESS | 1 | S/N 780-1094 |
| | | 287725001 | HARNESS - D16X20A MAIN | 1 | S/N 1095- |
| 29 | | 277695001 | SWITCH - PUSH BUTTON ZAP ALERT RESET | 1 | |
| 30 | | 277696001 | SWITCH - PUSH BUTTON ZAP ALERT VOLTAGE TEST | 1 | |
| 31 | | 277697001 | SWITCH - PUSH BUTTON ZAP ALERT CURRENT TEST | 1 | S/N 386, 462- |
| 32 | | 296264000 | REMOTE ENGINE/HYDRAULIC LOCKOUT CARD | 1 | |

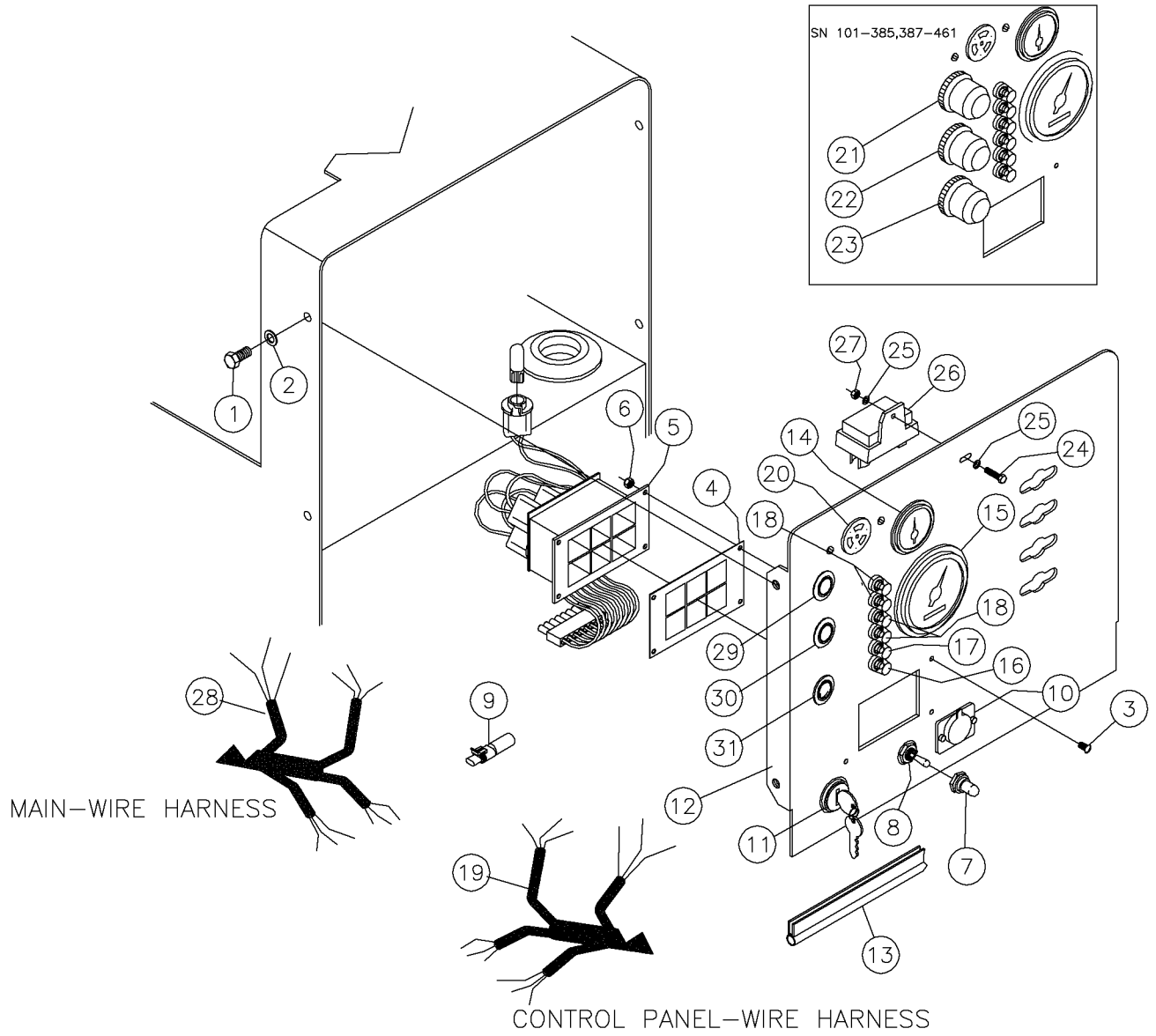
Control Panel Fig 4-1r05



Control Panel Fig 4-1r05

| REF. NO. | * | PART NO. | DESCRIPTION | QTY. | REMARKS |
|----------|---|---------------|----------------------------------|------|--------------------------|
| | | Revision Date | July, 2002 | | Update In Parts List. |
| 1 | | 235726001 | BOLT-3/8-16X3/4 GR8 HEX ZNCPLT | 4 | |
| 2 | | 235713001 | WASHER-3/8 SAE HARD ZINC PLTD | 4 | |
| | | 399001 | NUT-8-32 HEX | 2 | |
| 3 | | 63737001 | SCREW-6-32X1/2 MACHINE | 4 | |
| 4 | | 219236001 | WINDOW-DISPLAY | 1 | |
| 5 | | 251608001 | MODULE-INDICATOR LIGHT | 1 | |
| 6 | | 69757001 | LOCKNUT-#6-32 NYLON INSERT PLT | 4 | |
| 7 | | 5537001 | COVER-TOGGLE SWITCH | 2 | |
| 8 | | 67081001 | SWITCH-8510K4 CUTLER HAMMER | 1 | |
| 9 | | 251677001 | CAPACITOR-3300 UF W/280 METRIC-P | 1 | |
| 10 | | 236473001 | OUTLET-12 V STAINLESS | 1 | |
| | | 57200001 | SCREW-#8-32X1/2 RND.HD.MACH. | 2 | |
| | | 69759001 | LOCK NUT-#8-32 NYLON INSERT PL | 2 | |
| 11 | * | 229801001 | SWITCH-IGNITION (4 TERMINAL) | 1 | |
| | * | 229802001 | KEY-IGNITION SWITCH (SET OF 2) | 1 | |
| 12 | * | 289198001 | PANEL - CONTROL D16X20A | 1 | |
| 13 | | 248049001 | SEAL-BULB EDGE 1/8X 17.70 | 1 | |
| 14 | | 201786001 | GAUGE-FUEL DATCON 810EM | 1 | |
| 15 | | 98933001 | GAUGE-TACHOMETER O-3000 RPM | 1 | |
| 16 | | 72082001 | BREAKER 45-700-514-DD 22 AMP | 1 | |
| 17 | | 72081001 | BREAKER-15A | 1 | |
| 18 | | 78107001 | BREAKER-10 AMP | 4 | |
| 19 | | 282528001 | WIRE HARNESS P16X20A | 1 | S/N 101-385, 387-461-779 |
| | | 282861001 | HARNESS | 1 | S/N 780- |
| | | 282528001 | WIRE HARNESS-D16X20A PANEL | 1 | |
| 20 | | 904346001 | BUZZER | 1 | |
| | | 905001001 | BOLT-8-32 X 2 STOVE | 2 | |
| | | 904995001 | WASHER-8 INTERNAL STAR | 2 | |
| | | | Figure Continued On Next Page | | |

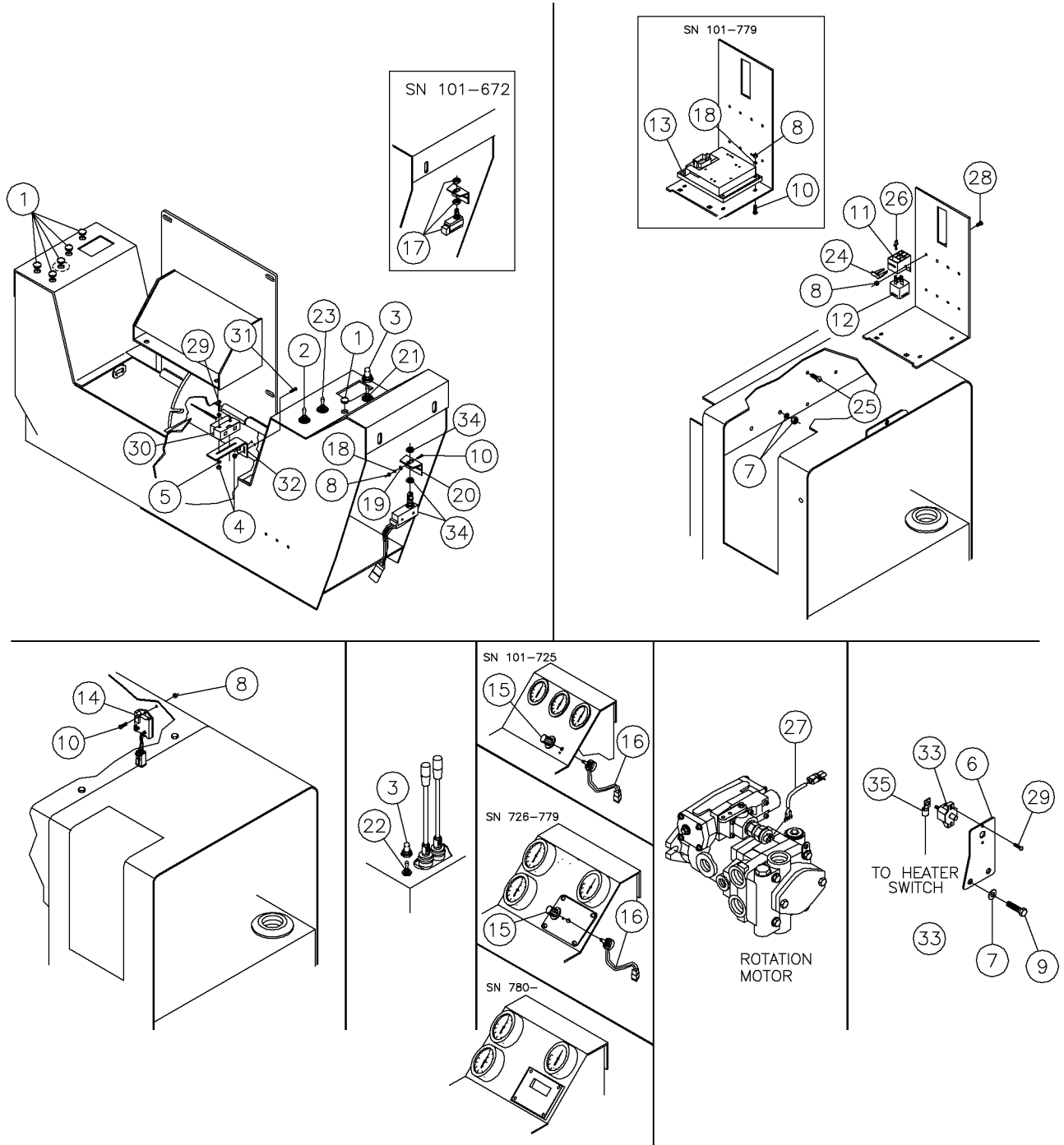
Control Panel (Continued) Fig 4-1r05



Control Panel (Continued) Fig 4-1r05

| REF. NO. | * | PART NO. | DESCRIPTION | QTY. | REMARKS |
|----------|---|-----------|--------------------------------|------|----------------------|
| 21 | | 215995001 | STRIKE ALERT RESET BUTTON ASSY | 1 | S/N 101-385, 387-461 |
| | | 215996001 | BUTTON-BLACK EXTENDED CONTACT | 1 | |
| | | 215997001 | BOOT-BLACK RUBBER | 1 | |
| | | 215998001 | BLOCK-N.C. CONTACT | 1 | |
| 22 | | 215991001 | STRIKE ALERT TEST BUTTON ASSY | 1 | S/N 101-385, 387-461 |
| | | 215993001 | BOOT-GREEN RUBBER | 1 | |
| | | 215994001 | BLOCK-N O. CONTACT | 1 | |
| | | 215992001 | BUTTON-GREEN FLUSH CONTACT | 1 | |
| 23 | | 226209001 | BUTTON ASSY-CURRENT TEST | 1 | S/N 101-385, 387-461 |
| | | 215993001 | BOOT-GREEN RUBBER | 1 | |
| | | 904423001 | CONTACT BLOCK | 1 | |
| | | 215992001 | BUTTON-GREEN FLUSH CONTACT | 1 | |
| 24 | | 235734001 | BOLT-1/4-20X3/4 GR8 ZINC PLTD | 1 | |
| 25 | | 235716001 | WASHER-1/4 SAE HARD ZINC PLTD | 2 | |
| 26 | | 251570049 | CKONTROLLER - GLOW PLUG | 1 | |
| 27 | | 235732001 | NUT-1/4-20 GR8 ZINC PLTD | 1 | |
| 28 | | 282527001 | WIRE HARNESS - D16X20A MAIN | 1 | S/N 386, 461-779 |
| | | 282860001 | MAIN WIRE HARNESS | 1 | S/N 780-1094 |
| | * | 287725001 | HARNESS - D16X20A MAIN | 1 | S/N 1095- |
| 29 | | 277695001 | PUSH BUTTON-ZAP ALERT RESET | 1 | |
| 30 | | 277696001 | PUSH BUTTON-VOLTAGE TEST | 1 | |
| 31 | | 277697001 | PUSH BUTTON-CURRENT TEST | 1 | S/N 386, 462- |

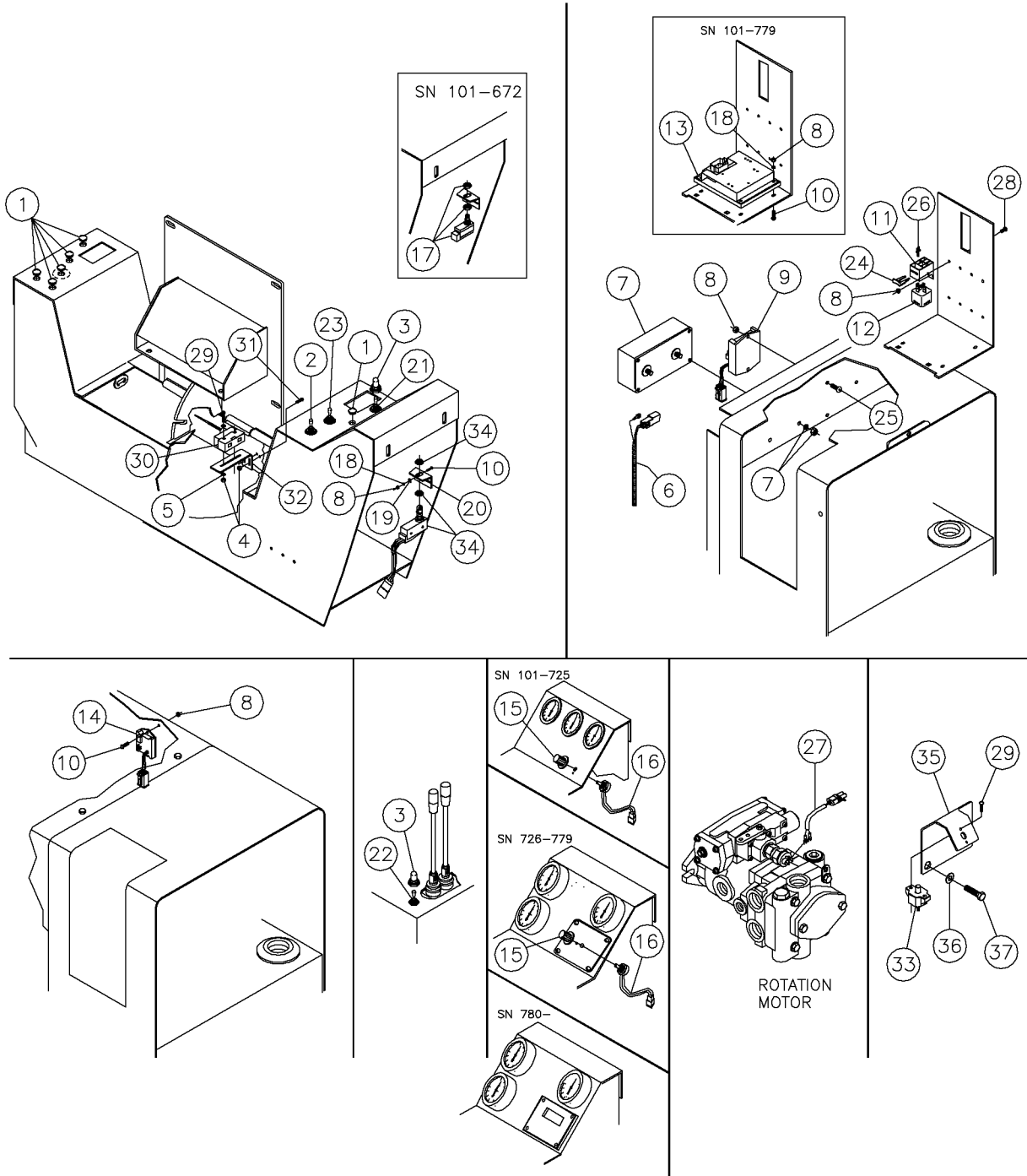
Control Console Electrical Components (S/N 1400-) Fig 4-2r11



Control Console Electrical Components (S/N 1400-) Fig 4-2r11

| REF. NO. | * | PART NO. | DESCRIPTION | QTY. | REMARKS |
|----------|---|---------------|---|------|--------------------------------------|
| | | Revision Date | May, 2006 | | Update In Illustration & Parts List. |
| 1 | | 79942001 | PLUG-15/32 BUTTON #D2724 DULL BLACK | 6 | |
| 2 | | 245158001 | SWITCH- 4 POLE MOMENTARY TOGGLE | 1 | (Rear Vise) |
| 3 | | 5537001 | COVER-TOGGLE SWITCH | 4 | |
| 4 | | 69757001 | LOCKNUT-#6-32 NYLON INSERT PLT | 8 | |
| 5 | | 57337001 | WASHER-#6 FLAT | 6 | |
| 6 | | 296277307 | BRACKET - CURCUIT BREAKER | 1 | |
| 7 | | 506046010 | WASHER-FLAT,M10,YZ,D125A | 2 | |
| 8 | | 400001 | NUT-3/16 NC HEX | 14 | |
| 9 | | 508476020 | SCREW-HCS,M10-1.50X20,10.9,YZ,ISO4017,FT | 2 | |
| 10 | | 1802006 | BOLT-10-24 X 3/4 RND HD STOVE | 17 | |
| 11 | | 279313001 | MOUNT -RELAY W/LOCKABLE TERMNS | 9 | |
| 12 | | 251681001 | RELAY - SEALED 40 AMP | 8 | |
| 13 | | 251043001 | CONTROLLER-PWM VALVE DRIVER | 1 | S/N 101-779 |
| | | 296262032 | MODULE - M1114 WATER CONTROL | 1 | S/N 780- |
| 14 | | 251673001 | ELECTRONIC MODULE-5SEC DLY RLY | 1 | |
| 15 | | 78114001 | CONTROL KNOB #409D2K1 | 1 | S/N 101-779 |
| 16 | | 244485001 | POTENTIOMETER-10K W/PLUG | 1 | S/N 101-779 |
| 17 | | 224698001 | SWITCH-ROLLER PLUNGER | 1 | |
| 18 | | 480001 | WASHER-3/16 S/T LOCK | 7 | |
| 19 | | 485001 | WASHER - FLATSTD - .19 - .22 X .56 - .05 - CZ | 2 | |
| 20 | | 250355001 | BRACKET - SWITCH CONSOLE | 1 | |
| 21 | | 86580001 | SWITCH-DPST ON-ON | 1 | S/N 101-779 (Row Selector) |
| | | 76200001 | SWITCH-TOGGLE #8501K1 | 1 | S/N 780- |
| 22 | | 78104001 | SWITCH-DPDT MOMENTARY | 1 | |
| 23 | | 248035001 | SWITCH-TOGGLE ON/ON 4 POLE | 1 | (Front Vise) |
| 24 | | 279314001 | TAB -RELAY TERMNL LOCK | 5 | |
| 25 | | 79525001 | SCREW-#10-24X1/2 FLHD MACHINE | 2 | |
| 26 | | 279315001 | TERM. -14/16 GA LOCKING RELAY | A/R | P/N Qty Of 1 = 1 Each |
| 27 | | 251674001 | HARNESS - NUETRAL SWITCH | 1 | |
| 28 | | 283512001 | BOLT - CHAIN TIGHTENER | 8 | |
| 29 | | 10530006 | SCREW-#8-32X3/4 SLOT RD.HD. | 2 | |
| 30 | | 283529001 | SWITCH - WHISKER LIMIT W/3 PIN DEUTSCH | 1 | |
| 31 | | 63737001 | SCREW-6-32X1/2 MACHINE | 2 | |
| 32 | | 283526001 | MOUNT - SEAT SWITCH | 1 | |
| 33 | | 282532001 | CIRCUIT BREAKER - 60 AMP | 1 | |
| 34 | | 282822001 | SWITCH - ROLLER LIMIT SEALED W/ 3 PIN DEUTSCH | 1 | S/N 672- |
| 35 | | 296280321 | CABLE - 4 GA. X 7" E-E RED BOOT | 1 | |

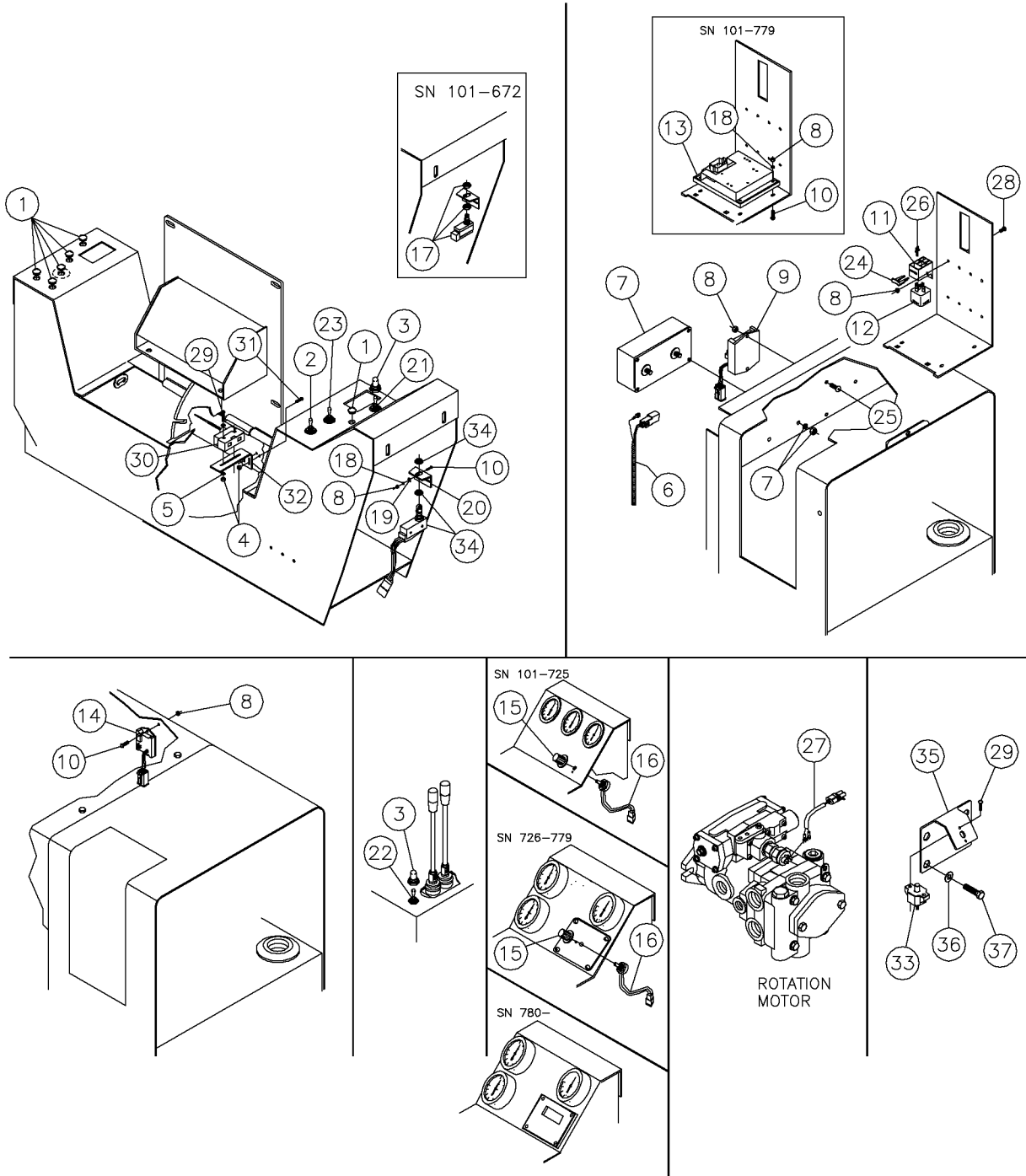
Control Console Electrical Components (S/N 386 462-) Fig 4-2r10



Control Console Electrical Components (S/N 386 462-) Fig 4-2r10

| REF. NO. | * | PART NO. | DESCRIPTION | QTY. | REMARKS |
|----------|---|---------------|---|------|--------------------------------------|
| | | Revision Date | May, 2005 | | Update In Illustration & Parts List. |
| 1 | | 79942001 | PLUG-15/32 BUTTON #D2724 DULL BLACK | 6 | |
| 2 | | 245158001 | SWITCH- 4 POLE MOMENTARY TOGGLE | 1 | |
| 3 | | 5537001 | COVER-TOGGLE SWITCH | 4 | |
| 4 | | 69757001 | LOCKNUT-#6-32 NYLON INSERT PLT | 8 | |
| 5 | | 57337001 | WASHER-#6 FLAT | 6 | |
| 6 | | 282518001 | COIL - ZAP ALERT | 1 | |
| 7 | | 281523001 | ZAP ALERT - CURRENT SENSE | 1 | |
| 8 | | 400001 | NUT-3/16 NC HEX | 16 | |
| 9 | | 251672001 | ELECTRONICS MODULE-DSR CONTROL | 1 | |
| 10 | | 1802006 | BOLT-10-24 X 3/4 RND HD STOVE | 17 | |
| 11 | | 279313001 | MOUNT -RELAY W/LOCKABLE TERMNS | 9 | |
| 12 | | 251681001 | RELAY - SEALED 40 AMP | 8 | |
| 13 | | 251043001 | CONTROLLER-PWM VALVE DRIVER | 1 | S/N 101-779 |
| 14 | | 251673001 | ELECTRONIC MODULE-5SEC DLY RLY | 1 | |
| 15 | | 78114001 | CONTROL KNOB #409D2K1 | 1 | S/N 101-779 |
| 16 | | 244485001 | POTENTIOMETER-10K W/PLUG | 1 | S/N 101-779 |
| 17 | | 224698001 | SWITCH-ROLLER PLUNGER | 1 | |
| 18 | | 480001 | WASHER-3/16 S/T LOCK | 7 | |
| 19 | | 485001 | WASHER - FLATSTD - .19 - .22 X .56 - .05 - CZ | 2 | |
| 20 | | 250355001 | BRACKET - SWITCH CONSOLE | 1 | |
| 21 | | 86580001 | SWITCH-DPST ON-ON | 1 | S/N 101-779 |
| | | 76200001 | SWITCH-TOGGLE #8501K1 | 1 | S/N 780- |
| 22 | | 78104001 | SWITCH-DPDT MOMENTARY | 1 | |
| 23 | | 248035001 | SWITCH-TOGGLE ON/ON 4 POLE | 1 | |
| 24 | | 279314001 | TAB -RELAY TERMNL LOCK | 5 | |
| 25 | | 79525001 | SCREW-#10-24X1/2 FLHD MACHINE | 4 | |
| 26 | | 279315001 | TERM. -14/16 GA LOCKING RELAY | A/R | P/N Qty Of 1 = 1 Each |
| 27 | | 251674001 | HARNESS - NUETRAL SWITCH | 1 | |
| 28 | | 283512001 | BOLT - CHAIN TIGHTENER | 8 | |
| 29 | | 10530006 | SCREW-#8-32X3/4 SLOT RD.HD. | 2 | |
| 30 | | 283529001 | SWITCH - WHISKER LIMIT W/3 PIN DEUTSCH | 1 | |
| 31 | | 63737001 | SCREW-6-32X1/2 MACHINE | 2 | |
| 32 | | 283526001 | MOUNT - SEAT SWITCH | 1 | |
| 33 | | 282532001 | CIRCUIT BREAKER - 60 AMP | 1 | |
| 34 | | 282822001 | SWITCH - ROLLER LIMIT SEALED W/ 3 PIN DEUTSCH | 1 | S/N 672- |
| 35 | | 296274560 | BRACKET - CIRCUIT BREAKER | 1 | |
| 36 | | 506046010 | WASHER-FLAT,M10,YZ,D125A | 2 | |
| 37 | | 508476020 | SCREW-HCS,M10-1.50X20,10.9,YZ,ISO4017,FT | 2 | |

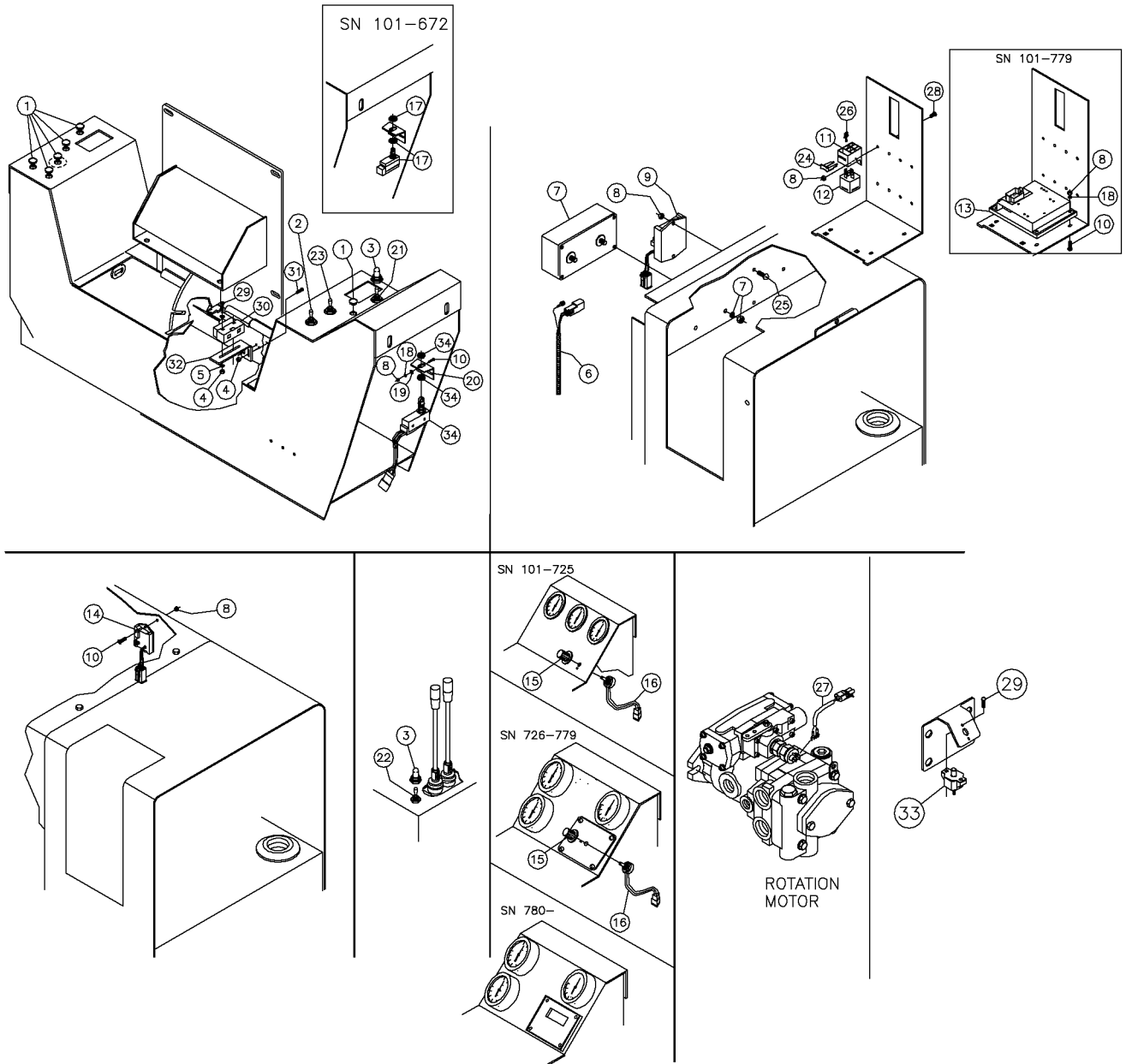
Control Console Electrical Components (S/N 386 462-) Fig 4-2r09



Control Console Electrical Components (S/N 386 462-) Fig 4-2r09

| REF. NO. | * | PART NO. | DESCRIPTION | QTY. | REMARKS |
|----------|---|---------------|---|------|--------------------------------------|
| | | Revision Date | September, 2004 | | Update In Illustration & Parts List. |
| 1 | | 79942001 | PLUG-15/32 BUTTON #D2724 DULL BLACK | 6 | |
| 2 | | 245158001 | SWITCH- 4 POLE MOMENTARY TOGGLE | 1 | |
| 3 | | 5537001 | COVER-TOGGLE SWITCH | 4 | |
| 4 | | 69757001 | LOCKNUT-#6-32 NYLON INSERT PLT | 8 | |
| 5 | | 57337001 | WASHER-#6 FLAT | 6 | |
| 6 | | 282518001 | COIL - ZAP ALERT | 1 | |
| 7 | | 281523001 | ZAP ALERT - CURRENT SENSE | 1 | |
| 8 | | 400001 | NUT-3/16 NC HEX | 16 | |
| 9 | | 251672001 | ELECTRONICS MODULE-DSR CONTROL | 1 | |
| 10 | | 1802006 | BOLT-10-24 X 3/4 RND HD STOVE | 17 | |
| 11 | | 279313001 | MOUNT -RELAY W/LOCKABLE TERMNS | 9 | |
| 12 | | 251681001 | RELAY - SEALED 40 AMP | 8 | |
| 13 | | 251043001 | CONTROLLER-PWM VALVE DRIVER | 1 | S/N 101-779 |
| 14 | | 251673001 | ELECTRONIC MODULE-5SEC DLY RLY | 1 | |
| 15 | | 78114001 | CONTROL KNOB #409D2K1 | 1 | S/N 101-779 |
| 16 | | 244485001 | POTENTIOMETER-10K W/PLUG | 1 | S/N 101-779 |
| 17 | | 224698001 | SWITCH-ROLLER PLUNGER | 1 | |
| 18 | | 480001 | WASHER-3/16 S/T LOCK | 7 | |
| 19 | | 485001 | WASHER - FLATSTD - .19 - .22 X .56 - .05 - CZ | 2 | |
| 20 | | 250355001 | BRACKET - SWITCH CONSOLE | 1 | |
| 21 | | 86580001 | SWITCH-DPST ON-ON | 1 | S/N 101-779 |
| | | 76200001 | SWITCH-TOGGLE #8501K1 | 1 | S/N 780- |
| 22 | | 78104001 | SWITCH-DPDT MOMENTARY | 1 | |
| 23 | | 248035001 | SWITCH-TOGGLE ON/ON 4 POLE | 1 | |
| 24 | | 279314001 | TAB -RELAY TERMNL LOCK | 5 | |
| 25 | | 79525001 | SCREW-#10-24X1/2 FLHD MACHINE | 4 | |
| 26 | | 279315001 | TERM. -14/16 GA LOCKING RELAY | A/R | P/N Qty Of 1 = 1 Each |
| 27 | | 251674001 | HARNESS - NUETRAL SWITCH | 1 | |
| 28 | | 283512001 | BOLT - CHAIN TIGHTENER | 8 | |
| 29 | | 10530006 | SCREW-#8-32X3/4 SLOT RD.HD. | 2 | |
| 30 | | 283529001 | SWITCH - WHISKER LIMIT W/3 PIN DEUTSCH | 1 | |
| 31 | | 63737001 | SCREW-6-32X1/2 MACHINE | 2 | |
| 32 | | 283526001 | MOUNT - SEAT SWITCH | 1 | |
| 33 | | 282532001 | CIRCUIT BREAKER - 60 AMP | 1 | |
| 34 | | 282822001 | SWITCH - ROLLER LIMIT SEALED W/ 3 PIN DEUTSCH | 1 | S/N 672- |
| 35 | | 285516001 | BRACKET - CIRCUIT BREAKER | 1 | |
| 36 | | 506046010 | WASHER-FLAT,M10,YZ,D125A | 2 | |
| 37 | | 508476020 | SCREW-HCS,M10-1.50X20,10.9,YZ,ISO4017,FT | 2 | |

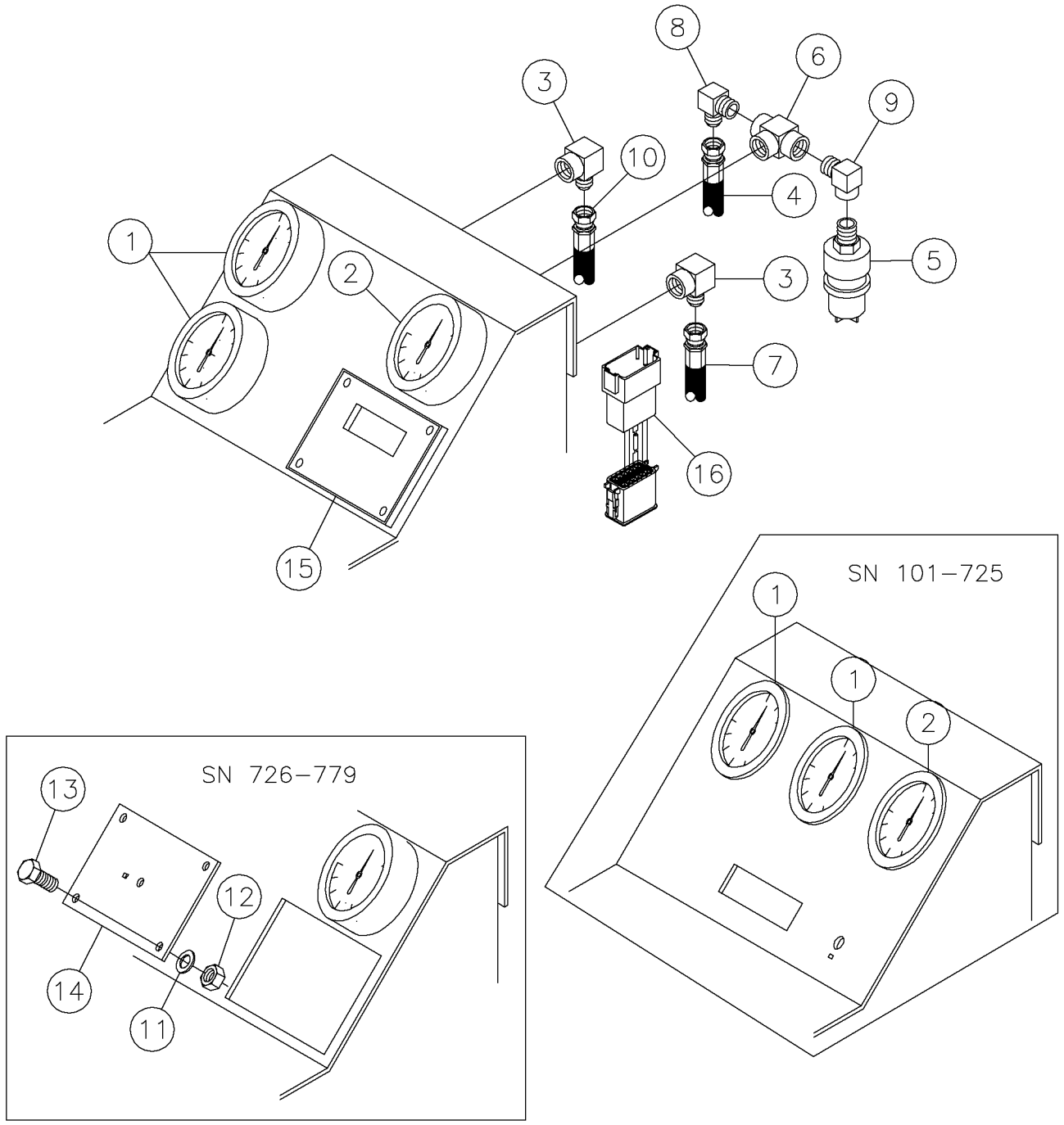
Control Console Electrical Components (S/N 386 462-) Fig 4-2r08



Control Console Electrical Components (S/N 386 462-) Fig 4-2r08

| REF. NO. | * | PART NO. | DESCRIPTION | QTY. | REMARKS |
|----------|---|---------------|---|------|-----------------------|
| | | Revision Date | October, 2000 | | |
| 1 | | 79942001 | PLUG-15/32 BUTTON #D2724 | 6 | |
| 2 | | 245158001 | SWITCH-4 POLE MOMENTARY TOGGLE | 1 | |
| 3 | | 5537001 | COVER-TOGGLE SWITCH | 4 | |
| 4 | | 69757001 | LOCKNUT-#6-32 NYLON INSERT PLT | 8 | |
| 5 | | 57337001 | WASHER-#6 FLAT | 6 | |
| 6 | | 282518001 | ZAP ALERT COIL | 1 | |
| 7 | | 281523001 | ZAP ALERT-CURRENT SENSE | 1 | |
| 8 | | 400001 | NUT-3/16 NC HEX | 16 | |
| 9 | | 251672001 | ELECTRNIC MODULE-E-DSR CONTROL | 1 | |
| 10 | | 1802006 | BOLT-10-24 X 3/4 RND HD STOVE | 17 | |
| 11 | | 279313001 | MOUNT-RELAY W/ LOCKABLE TERMS | 9 | |
| 12 | | 251681001 | RELAY SEALED 40 AMP | 8 | |
| 13 | | 251043001 | CONTROLLER-PWM VALVE DRIVER | 1 | S/N 101-779 |
| 14 | | 251673001 | ELECTRONIC MODULE 5SEC PLY RLY | 1 | |
| 15 | | 78114001 | CONTROL KNOB #409D2K1 | 1 | S/N 101-779 |
| 16 | | 244485001 | POTENTIOMETER-10K W/PLUG | 1 | S/N 101-779 |
| 17 | | 224698001 | SWITCH-ROLLER PLUNGER | 1 | |
| 18 | | 480001 | WASHER-3/16 S/T LOCK | 7 | |
| 19 | | 485001 | WASHER-3/16 FLAT | 2 | |
| 20 | | 250355001 | BRACKET - SWITCH CONSOLE | 1 | |
| 21 | | 86580001 | SWITCH-DPST ON-ON | 1 | S/N 101-779 |
| 21 | | 76200001 | SWITCH-TOGGLE #8501K1 | 1 | S/N 780- |
| 22 | | 78104001 | SWITCH-DPDT MOMENTARY | 1 | |
| 23 | | 248035001 | SWITCH-TOGGLE ON/ON 4 POLE | 1 | |
| 24 | | 279314001 | TAB RELAY TERMINAL LOCK | 5 | |
| 25 | | 79525001 | SCREW-10-24X1/2 FLHD MACHINE | 4 | |
| 26 | | 279315001 | TERMINAL-14/16 GA LOCKING RELAY | A/R | P/N Qty Of 1 = 1 Each |
| 27 | | 251674001 | HARNESS NEUTRAL SWITCH | 1 | |
| 28 | | 283512001 | SCREW-MACH 10-24 UNC X 3/8 | 8 | |
| 29 | | 28932001 | BOLT-6-32 NC X 1 3/8 | 2 | |
| 30 | | 283529001 | SWITCH-WHISKER LIMITED W/3 PIN DEUTSCH | 1 | |
| 31 | | 63737001 | SCREW-6-32X1/2 MACHINE | 2 | |
| 32 | | 283526001 | MOUNT-SEAT SWITCH | 1 | |
| 33 | | 28532001 | CIRCUIT BREAKER 60 AMP | 1 | |
| 34 | | 282822001 | SWITCH-ROLLER LIMITED, SEALED W/3 PIN DEUTSCH | 1 | S/N 672- |

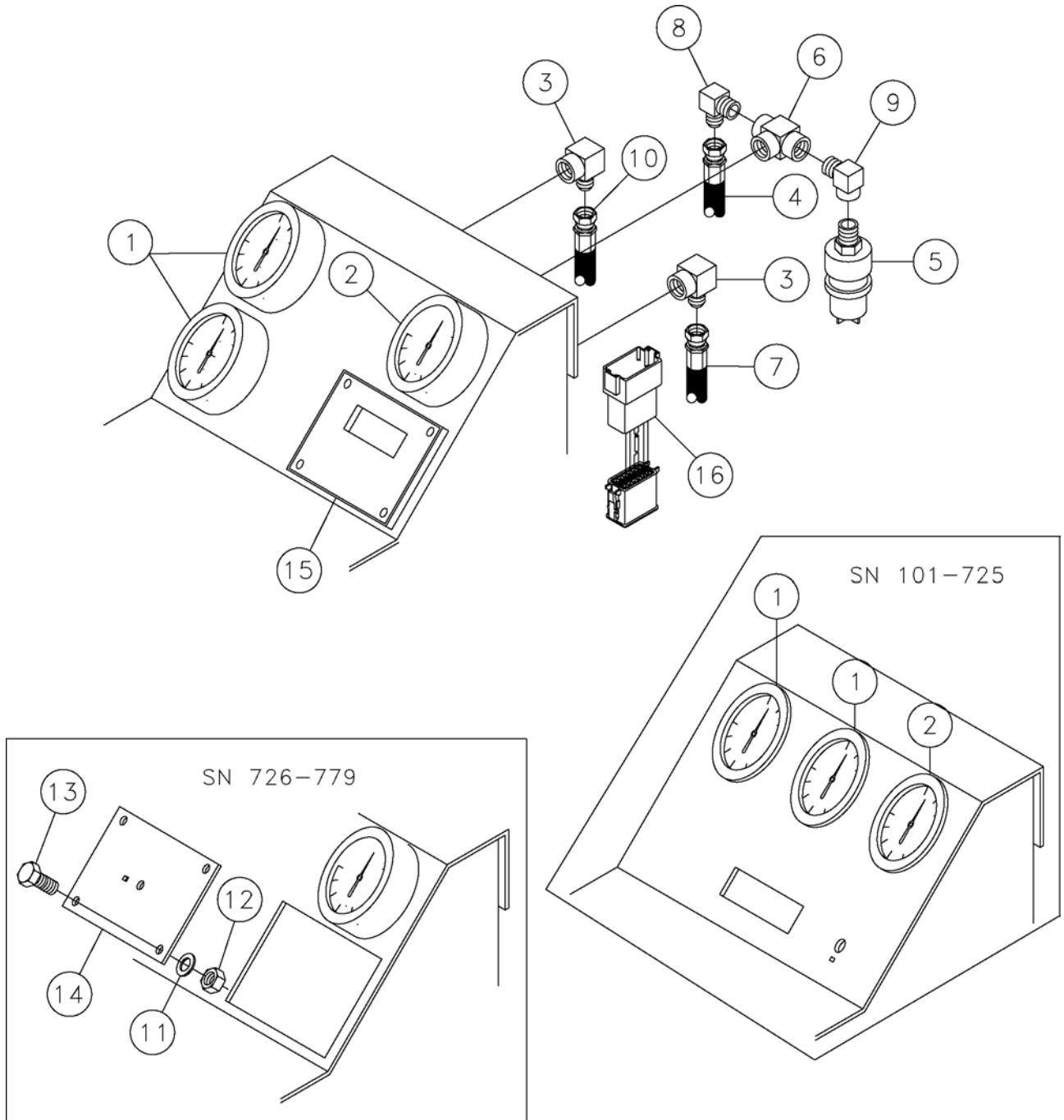
Pressure Gauge (S/N 1472) Fig 4-3r06



Pressure Gauge (S/N 1472) Fig 4-3r06

| REF. NO. | * | PART NO. | DESCRIPTION | QTY. | REMARKS |
|----------|---|---------------|--|------|-----------------------|
| | | Revision Date | June, 2006 | | Update In Parts List. |
| 1 | | 275100001 | GAUGE - 4000 PSI PRESSURE | 2 | S/N 101-725 |
| | | 904537001 | GAUGE - PRESSURE 5000 PSI W/ GASKET | 2 | S/N 726- |
| 2 | | 275101001 | GAUGE - 2000 PSI PRESSURE | 1 | S/N 101-725 |
| | | 234343001 | GAUGE - PRESSURE 0-2000 PSI W/ GASKET | 1 | S/N 726- |
| 3 | | 81665001 | FITTING-1/4FX4M JIC 90 DEG. | 2 | |
| 4 | | 53843243 | HOSE-1/4X130 4FS JIC 3000 PSI | 1 | |
| 5 | | 236114001 | SWITCH-1800 PSI PRESSURE NO | 1 | |
| 6 | | 210788001 | PIPE TEE-1/4F X 1/4F X 1/4F | 1 | |
| 7 | | 53843733 | HOSE-1/4X144 4FSJICST/90D3000# | 1 | |
| 8 | | 56647001 | FITTING-1/4MX4M JIC 90 DEG. REF 53821-001-1 | 1 | |
| 9 | | 251551001 | FITTING-1/4MNPT X1/4FNPT 90DEG | 1 | |
| 10 | | 53843503 | HOSE-1/4X130 4FS JIC 5000 PSI | 1 | S/N 1472 |
| 11 | | 235713001 | WASHER - FLATSTRL - .38 - .41 X .81 - .06-YA-A325 | 8 | S/N 726-779 |
| 12 | | 235725001 | NUT - HEX - .38 - 16 - GR8 - YZ | 4 | S/N 726-779 |
| 13 | | 235726001 | BOLT-3/8-16X3/4 GR8 HEX ZNCPLT | 4 | S/N 726-779 |
| 14 | | 282835001 | PLATE - D16X20A POTENTIOMETER | 1 | S/N 726- |
| 15 | | 296286503 | MODULE - M1114B WATER CONTROL | 1 | |
| 16 | | 289052001 | WIRING HARNESS - FLOWMETER FILTER | 1 | S/N 914- |

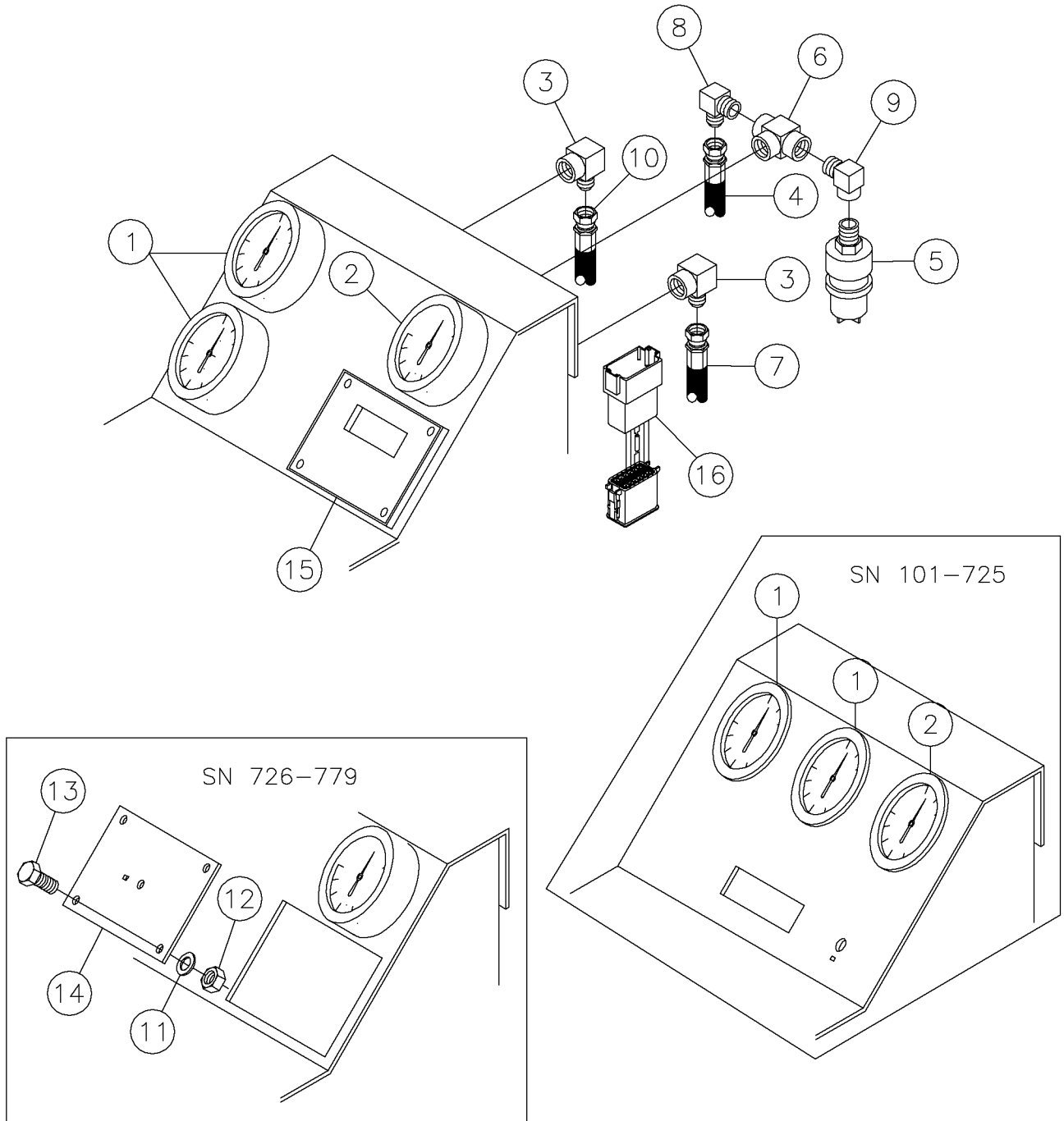
Pressure Gauge Fig 4-3r05



Pressure Gauge Fig 4-3r05

| REF. NO. | * | PART NO. | DESCRIPTION | QTY. | REMARKS |
|----------|---|---------------|--|------|-------------------------------|
| | | Revision Date | October, 2005 | | Update In Illus & Parts List. |
| 1 | | 275100001 | GAUGE - 4000 PSI PRESSURE | 2 | S/N 101-725 |
| | | 904537001 | GAUGE - PRESSURE 5000 PSI W/ GASKET | 2 | S/N 726- |
| 2 | | 275101001 | GAUGE - 2000 PSI PRESSURE | 1 | S/N 101-725 |
| | | 234343001 | GAUGE - PRESSURE 0-2000 PSI W/ GASKET | 1 | S/N 726- |
| 3 | | 81665001 | FITTING-1/4FX4M JIC 90 DEG. | 2 | |
| 4 | | 53843243 | HOSE-1/4X130 4FS JIC 3000 PSI | 1 | |
| 5 | | 236114001 | SWITCH-1800 PSI PRESSURE NO | 1 | |
| 6 | | 210788001 | PIPE TEE-1/4F X 1/4F X 1/4F | 1 | |
| 7 | | 53843733 | HOSE-1/4X144 4FSJICST/90D3000# | 1 | |
| 8 | | 56647001 | FITTING-1/4MX4M JIC 90 DEG. REF 53821-001-1 | 1 | |
| 9 | | 251551001 | FITTING-1/4MNPT X1/4FNPT 90DEG | 1 | |
| 10 | | 53843205 | HOSE-1/4X120 4FS JIC 3000 PSI | 1 | |
| 11 | | 235713001 | WASHER - FLATSTRL - .38 - .41 X .81 - .06-YA-A325 | 8 | S/N 726-779 |
| 12 | | 235725001 | NUT - HEX - .38 - 16 - GR8 - YZ | 4 | S/N 726-779 |
| 13 | | 235726001 | BOLT-3/8-16X3/4 GR8 HEX ZNCPLT | 4 | S/N 726-779 |
| 14 | | 282835001 | PLATE - D16X20A POTENTIOMETER | 1 | S/N 726- |
| 15 | * | 296269639 | MODULE - M1114 WATER CONTROL | 1 | PN Change S/N 780- |
| 16 | | 289052001 | WIRING HARNESS - FLOWMETER FILTER | 1 | S/N 914- |

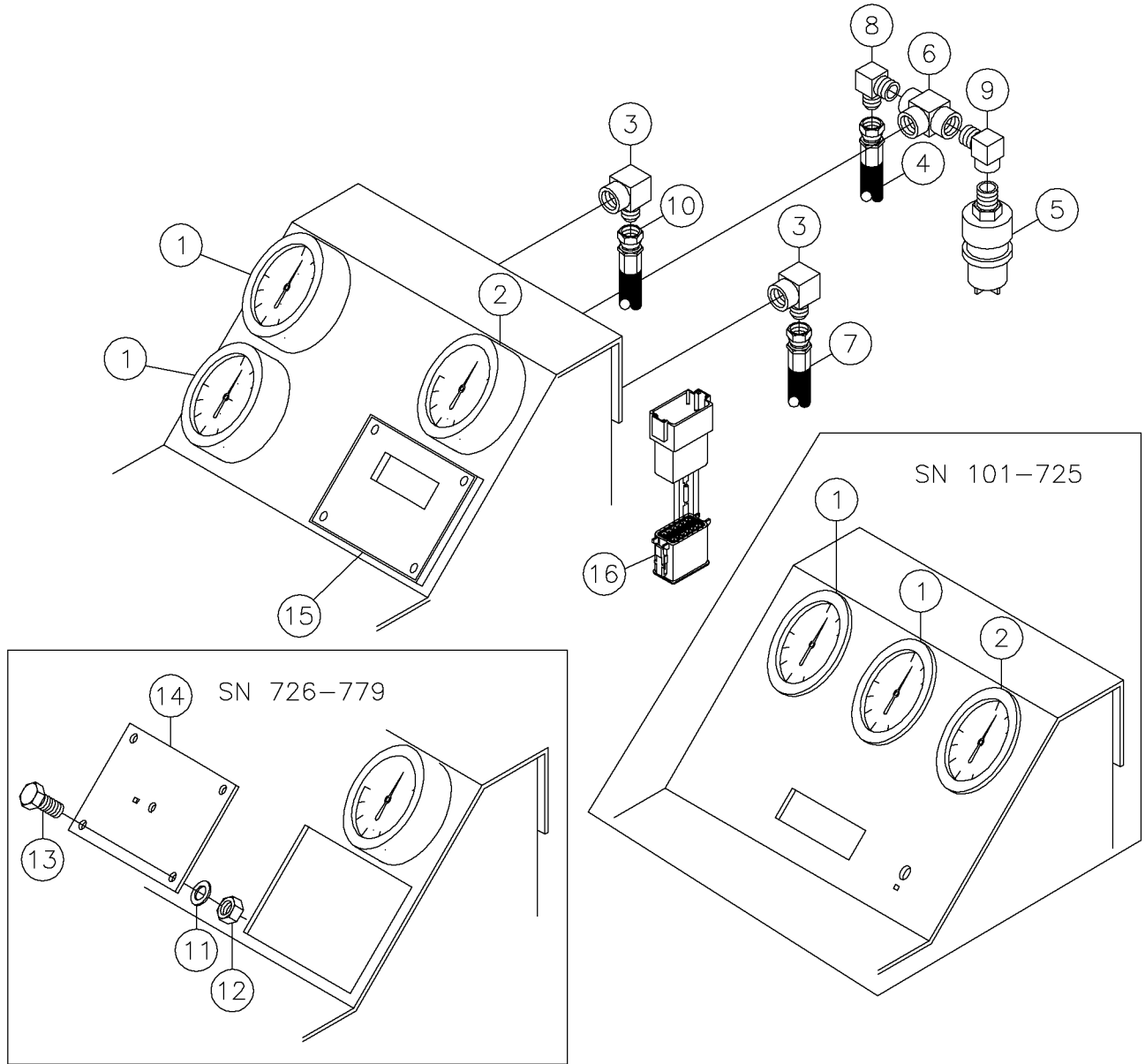
Pressure Gauge Fig 4-3r04



Pressure Gauge Fig 4-3r04

| REF. NO. | * | PART NO. | DESCRIPTION | QTY. | REMARKS |
|----------|---|---------------|--|------|--------------------------------------|
| | | Revision Date | September, 2004 | | Update In Illustration & Parts List. |
| 1 | | 275100001 | GAUGE - 4000 PSI PRESSURE | 2 | S/N 101-725 |
| | | 904537001 | GAUGE - PRESSURE 5000 PSI W/ GASKET | 2 | S/N 726- |
| 2 | | 275101001 | GAUGE - 2000 PSI PRESSURE | 1 | S/N 101-725 |
| | | 234343001 | GAUGE - PRESSURE 0-2000 PSI W/ GASKET | 1 | S/N 726- |
| 3 | | 81665001 | FITTING-1/4FX4M JIC 90 DEG. | 2 | |
| 4 | | 53843243 | HOSE-1/4X130 4FS JIC 3000 PSI | 1 | |
| 5 | | 236114001 | SWITCH-1800 PSI PRESSURE NO | 1 | |
| 6 | | 210788001 | PIPE TEE-1/4F X 1/4F X 1/4F | 1 | |
| 7 | | 53843733 | HOSE-1/4X144 4FSJICST/90D3000# | 1 | |
| 8 | | 56647001 | FITTING-1/4MX4M JIC 90 DEG. REF 53821-001-1 | 1 | |
| 9 | | 251551001 | FITTING-1/4MNPT X1/4FNPT 90DEG | 1 | |
| 10 | | 53843205 | HOSE-1/4X120 4FS JIC 3000 PSI | 1 | |
| 11 | | 235713001 | WASHER - FLATSTRL - .38 - .41 X .81 - .06-YA-A325 | 8 | S/N 726-779 |
| 12 | | 235725001 | NUT - HEX - .38 - 16 - GR8 - YZ | 4 | S/N 726-779 |
| 13 | | 235726001 | BOLT-3/8-16X3/4 GR8 HEX ZNCPLT | 4 | S/N 726-779 |
| 14 | | 282835001 | PLATE - D16X20A POTENTIOMETER | 1 | S/N 726- |
| 15 | | 296262032 | MODULE - M1114 WATER CONTROL | 1 | S/N 780- |
| 16 | | 289052001 | WIRING HARNESS - FLOWMETER FILTER | 1 | S/N 914- |

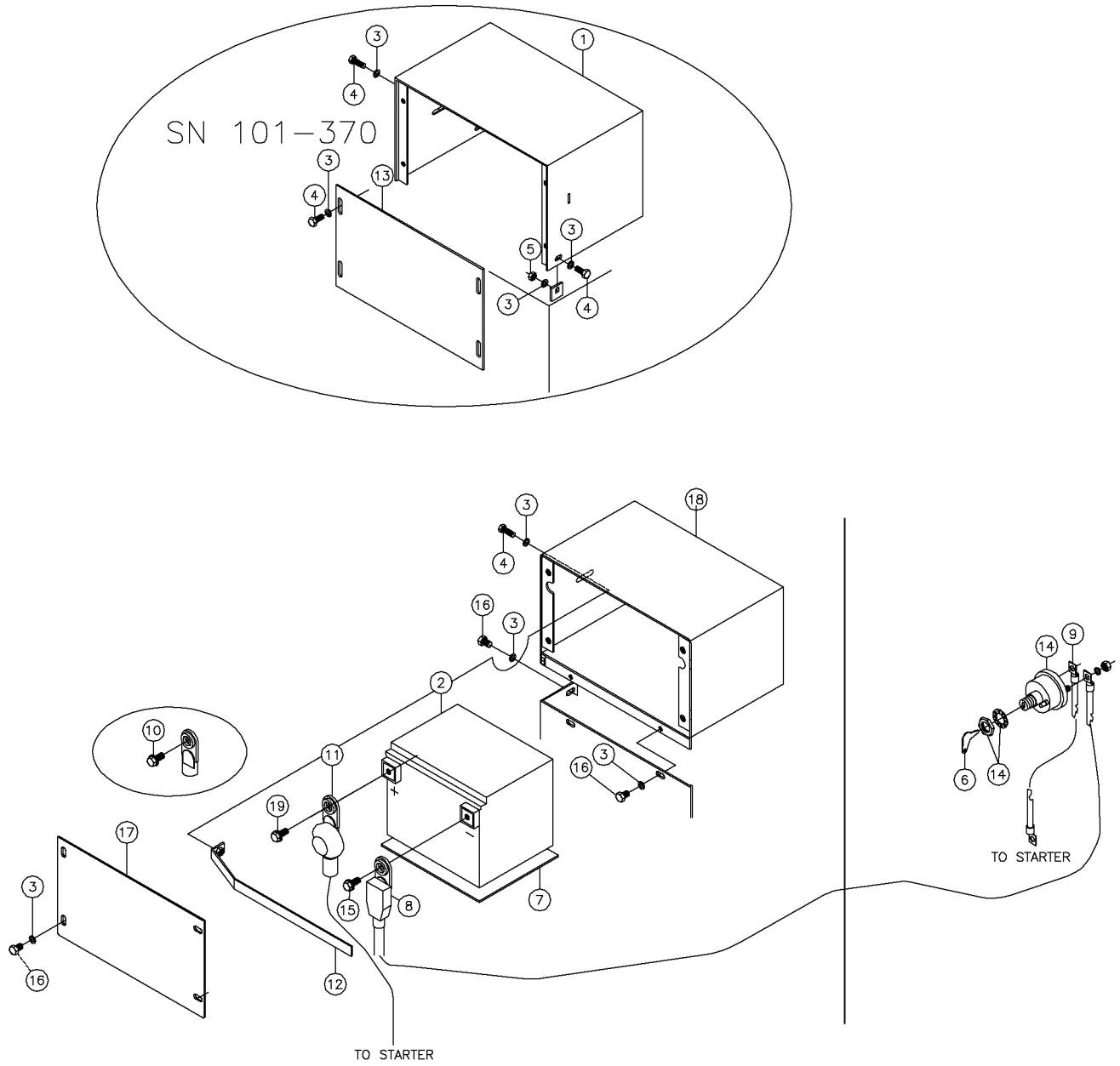
Pressure Gauge Fig 4-3r03



Pressure Gauge Fig 4-3r03

| REF. NO. | * | PART NO. | DESCRIPTION | QTY. | REMARKS |
|----------|---|---------------|--------------------------------------|------|--------------------------------------|
| | | Revision Date | July, 2002 | | Update In Illustration & Parts List. |
| 1 | | 275100001 | GAUGE - 4000 PSI PRES | 2 | S/N 101-725 |
| 1 | | 234343001 | GAUGE-PRESSURE 2000 PSI W/ GASKET | 2 | S/N 726- |
| 2 | | 275101001 | GAUGE - 2000 PSI PRES. | 1 | S/N 101-725 |
| 2 | | 904537001 | GAUGE-PRESSURE 5000 PSI W/ GASKET | 1 | S/N 726- |
| 3 | | 81665001 | FITTING-1/4FX4M JIC 90 DEG. | 2 | |
| 4 | | 53843243 | HOSE-1/4X130 4FS JIC 3000 PSI | 1 | |
| 5 | | 236114001 | SWITCH-1800 PSI PRESSURE NO | 1 | |
| 6 | | 210788001 | PIPE TEE-1/4F X 1/4F X 1/4F | 1 | |
| 7 | | 53843733 | HOSE-1/4X144 4FSJICST/90D3000# | 1 | |
| 8 | | 56647001 | FITTING-1/4MX4M JIC 90 DEG | 1 | |
| 9 | | 251551001 | FITTING-1/4MNPT X1/4FNPT 90DEG | 1 | |
| 10 | | 53843205 | HOSE-1/4X120 4FS JIC 3000 PSI | 1 | |
| 11 | | 235713001 | WASHER-3/8 SAE HARD ZNC PLTD | 8 | S/N 726-779 |
| 12 | | 235725001 | NUT-3/8-16 GR8 ZNC PLTD | 4 | S/N 726-779 |
| 13 | | 235726001 | BOLT-3/8-16X3/4 GR 8 HEX ZNC PLTD | 4 | S/N 726-779 |
| 14 | | 282835001 | PLATE-16X20A FLOWMETER | 1 | S/N 726- |
| 15 | | 287527001 | *FLOW METER-16X20A | 1 | S/N 780- |
| 16 | * | 289052001 | WIRING HARNESS - FLOWMETER FILTER | 1 | S/N 914- |

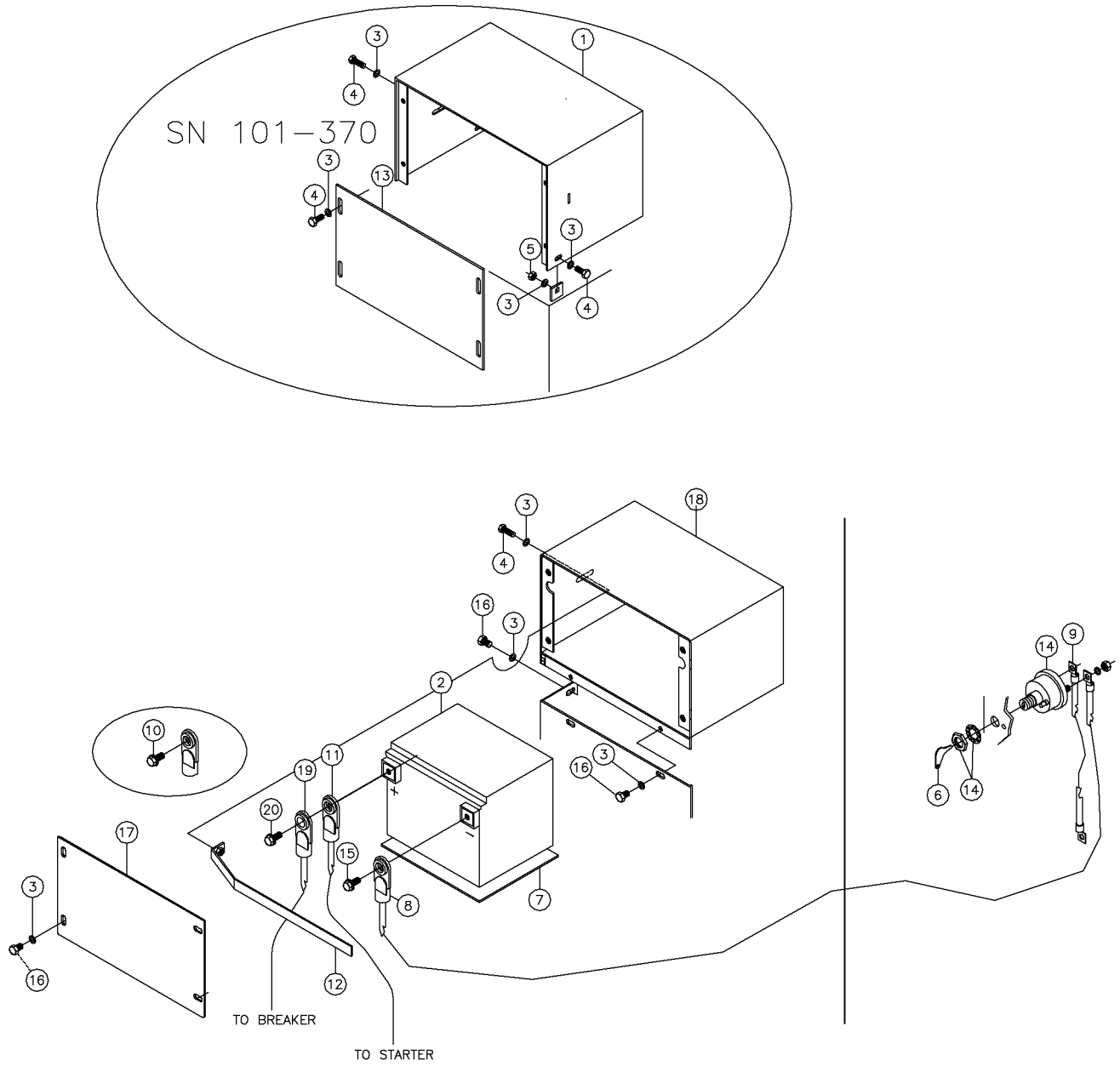
Battery Fig 4-4r05



Battery Fig 4-4r05

| REF. NO. | * | PART NO. | DESCRIPTION | QTY. | REMARKS |
|----------|---|---------------|---|------|-------------------------|
| | | Revision Date | May, 2006 | | Update In Illustration. |
| 1 | | 251520001 | BOX-BATTERY | 1 | |
| 2 | | N/A | BATTERY-900 CCA | 1 | |
| 3 | | 235714001 | WASHER-5/16 SAE HARD ZINC PLTD | 7 | |
| 4 | | 235742001 | BOLT-5/16-18X3/4 GR8 ZINC PLTD | 1 | |
| 5 | | 235741001 | NUT-5/16-18 GR8 ZINC PLTD | 3 | |
| 6 | | 87356001 | KEY | 1 | |
| 7 | | 229373001 | PAD - BATTERY | 1 | |
| 8 | | 296280322 | CABLE - 4 GAUGE X 65" RED W/ BRACKET | 1 | |
| 9 | | 281549001 | CABLE-BATT 2GA X 18" EYLET-EYELET | 2 | |
| 10 | | 4475004 | BOLT-3/8-16X1/2" FLG. WHIZ | 2 | |
| 11 | | 235559001 | CABLE-BATT. 2 GA. X 77" P-E | 1 | |
| 12 | | 251530001 | RETAINER-BATTERY | 1 | |
| 13 | | 251413001 | COVER-BATTERY BOX FRONT | 1 | |
| 14 | | 904365001 | DISCONNECT SWITCH | 1 | |
| 15 | | 235558003 | BOLT-3/8-16X13/32 HEX Y/ZINC | 2 | |
| 16 | | 235740001 | BOLT-5/16-18X1/2 GR 8 ZINC PLT | 8 | S/N 371- |
| 17 | | 282118001 | COVER-BATTERY | 1 | S/N 371- |
| 18 | | 282110001 | BOX-BATTERY | 1 | S/N 371- |
| 19 | | 296280360 | BOLT-3/8-16X5/8 FLG WHIZ | 1 | |

Battery Fig 4-4r04

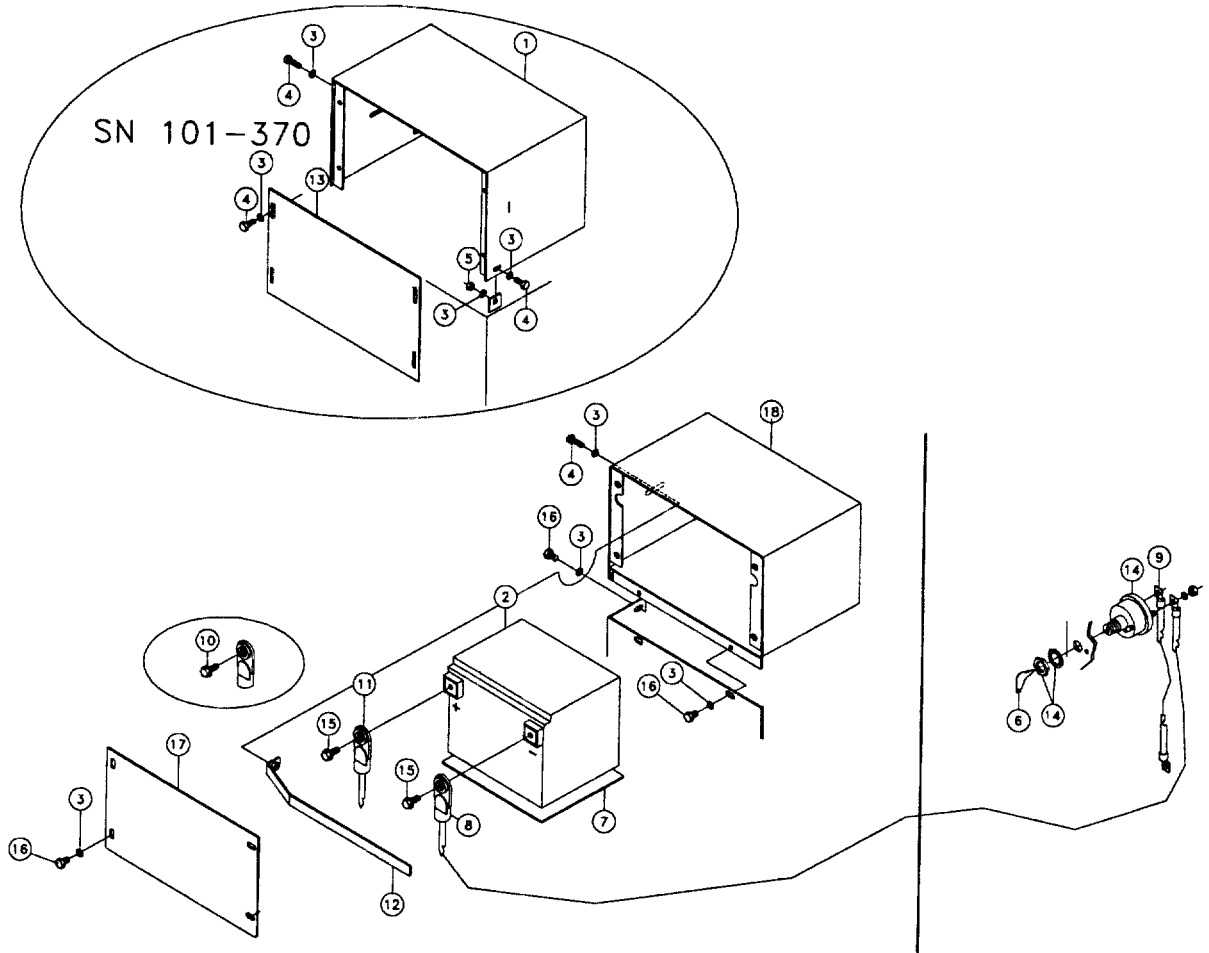


Battery Fig 4-4r04

| REF. NO. | * | PART NO. | DESCRIPTION | QTY. | REMARKS |
|----------|---|---------------|-----------------------------------|------|-----------------------|
| | | Revision Date | January, 2000 | | |
| 1 | | 251520001 | BOX-BATTERY | 1 | |
| 2 | | N/A | BATTERY-900 CCA | 1 | |
| 3 | | 235714001 | WASHER-5/16 SAE HARD ZINC PLTD | 7 | |
| 4 | | 235742001 | BOLT-5/16-18X3/4 GR8 ZINC PLTD | 1 | |
| 5 | | 235741001 | NUT-5/16-18 GR8 ZINC PLTD | 3 | |
| 6 | | 87356001 | KEY | 1 | |
| 7 | | 229373001 | PAD - BATTERY | 1 | |
| 8 | | 296280359 | CABLE-BATT 1/0 GA X 69" SIDE POST | 1 | |
| 9 | * | 281549001 | CABLE-BATT 2GA X 18" EYLET-EYELET | 2 | Replaces 251576001 |
| 10 | | 4475004 | BOLT-3/8-16X1/2" FLG. WHIZ | 2 | Replaced By 235558003 |
| 11 | | 235559001 | CABLE-BATT. 2 GA. X 77" P-E | 1 | |
| 12 | | 251530001 | RETAINER-BATTERY | 1 | |
| 13 | | 251413001 | COVER-BATTERY BOX FRONT | 1 | |
| 14 | | 904365001 | DISCONNECT SWITCH | 1 | |
| 15 | | 235558003 | BOLT-3/8-16X13/32 HEX Y/ZINC | 2 | |
| 16 | | 235740001 | BOLT-5/16-18X1/2 GR 8 ZINC PLT | 8 | S/N 371- |
| 17 | | 282118001 | COVER-BATTERY | 1 | S/N 371- |
| 18 | | 282110001 | BOX-BATTERY | 1 | S/N 371- |
| 19 | | 296280348 | CABLE - 4 GA X 80" RED | 1 | |
| 20 | | 296280360 | BOLT-3/8-16X5/8 FLG WHIZ | 1 | |

Battery Fig 4-4r03

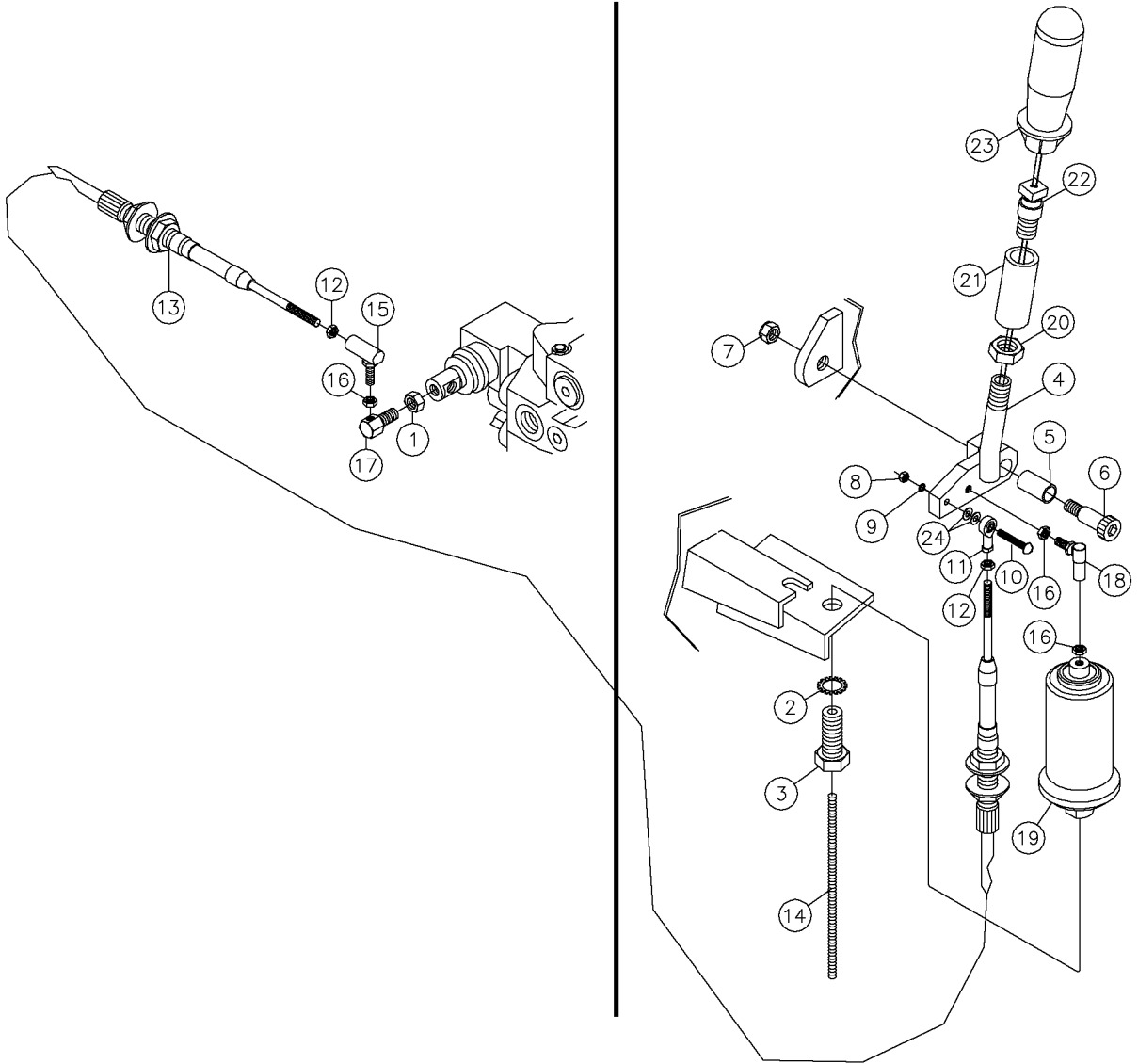
Revised January 2000 due to update in illustration & parts list. Changed part marked with *.



Battery Fig 4-4r03

| REF. NO. | * | PART NO. | DESCRIPTION | QTY. | REMARKS |
|----------|---|---------------|-----------------------------------|------|-----------------------|
| | | Revision Date | January, 2000 | | |
| 1 | | 251520001 | BOX-BATTERY | 1 | |
| 2 | | N/A | BATTERY-900 CCA | 1 | |
| 3 | | 235714001 | WASHER-5/16 SAE HARD ZINC PLTD | 7 | |
| 4 | | 235742001 | BOLT-5/16-18X3/4 GR8 ZINC PLTD | 1 | |
| 5 | | 235741001 | NUT-5/16-18 GR8 ZINC PLTD | 3 | |
| 6 | | 87356001 | KEY | 1 | |
| 7 | | 229373001 | PAD - BATTERY | 1 | |
| 8 | | 251577001 | CABLE-BATT .2 GA X 82" SIDE POST | 1 | |
| 9 | * | 281549001 | CABLE-BATT 2GA X 18" EYLET-EYELET | 2 | Replaces 251576001 |
| 10 | | 4475004 | BOLT-3/8-16X1/2" FLG. WHIZ | 2 | Replaced By 235558003 |
| 11 | | 235559001 | CABLE-BATT. 2 GA. X 77" P-E | 1 | |
| 12 | | 251530001 | RETAINER-BATTERY | 1 | |
| 13 | | 251413001 | COVER-BATTERY BOX FRONT | 1 | |
| 14 | | 904365001 | DISCONNECT SWITCH | 1 | |
| 15 | | 235558003 | BOLT-3/8-16X13/32 HEX Y/ZINC | 2 | |
| 16 | | 235740001 | BOLT-5/16-18X1/2 GR 8 ZINC PLT | 8 | S/N 371- |
| 17 | | 282118001 | COVER-BATTERY | 1 | S/N 371- |
| 18 | | 282110001 | BOX-BATTERY | 1 | S/N 371- |

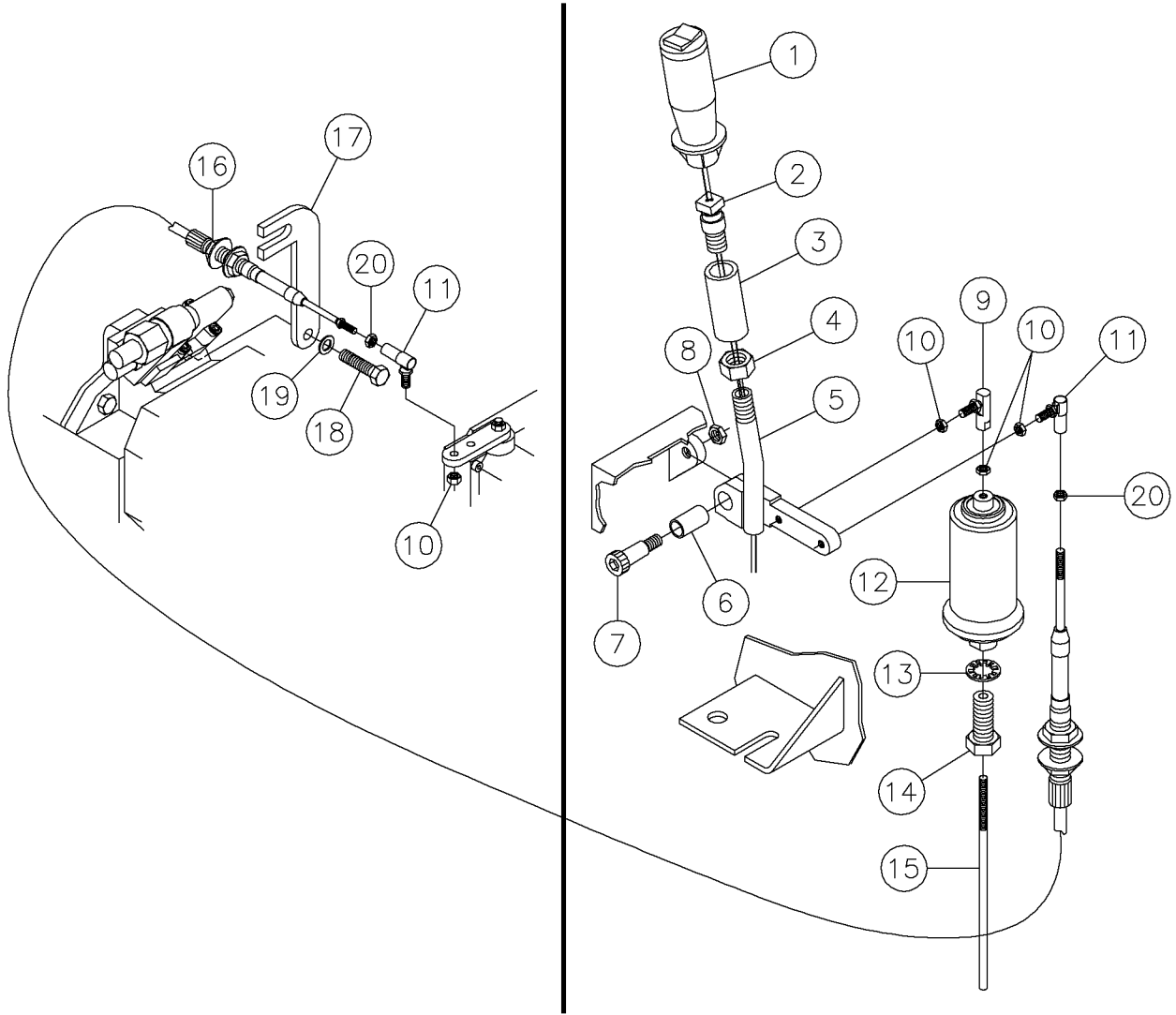
Control Lever - Thrust/Pullback Fig 4-5r03



Control Lever - Thrust/Pullback Fig 4-5r03

| REF. NO. | * | PART NO. | DESCRIPTION | QTY. | REMARKS |
|----------|---|---------------|--|------|------------------------|
| | | Revision Date | October, 2000 | | |
| 1 | | 574001 | NUT-8MM METRIC | 1 | For Early Models |
| | | 61656001 | NUT-10MX1.50 PITCH | 1 | For Later Models |
| | | 251517001 | JOYSTICK W/TOGGLE SWITCH | 1 | |
| 2 | | 481005 | WASHER-5/8 EXT STAR | 1 | |
| 3 | | 228412001 | BOLT-GUIDE MOUNT | 1 | |
| 4 | | 248135001 | HANDLE-THRUST | 1 | |
| 5 | | 240384001 | BSHG-.628 OD X .5015 ID-.967BR | 1 | |
| 6 | | 129671001 | SCREW-1/2X1 SOCKET SHOULDER | 1 | |
| 7 | | 235725001 | NUT - HEX - .38 - 16 - GR8 - YZ | 1 | |
| 8 | | 99042001 | NUT-LOCK 10-24 NYLON INTERLOCK (REPLACED 400-001) | 1 | |
| 9 | | 480001 | WASHER-3/16 S/T LOCK | 1 | |
| 10 | | 533012 | SCREW-10-24X1 1/4RDHD SLOTMACH | 1 | |
| 11 | | 79504001 | BALL JOINT#10-32 .189/.191 EYE | 1 | |
| 12 | | 26692001 | NUT-10-32 NF HEX | 2 | |
| 13 | | 248161001 | CABLE-313-VTT-2-150 | 1 | |
| 14 | | 275169001 | ROD-SPRING GUIDE | 1 | Replaces 275116001 |
| 15 | | 67271001 | 175-403-005 BALL JOINT | 1 | |
| 16 | | 14881001 | NUT-1/4-28 NF HEX JAM | 3 | |
| 17 | | 248193001 | PIN-CABLE MOUNT | 1 | 8mm For Earlier Models |
| | | 248037001 | PIN-CABLE MOUNT | 1 | 10mm For Later Models |
| 18 | | 1489001 | BALL JOINT - 1/4" SP1002 CP | 1 | |
| 19 | | 220180001 | SPRING CENTER-CABLE CONTROL | 1 | |
| 20 | | 452001 | NUT-5/8 N F. HEX | 1 | |
| 21 | | 216295001 | TUBE-EXTENSION | 1 | |
| 22 | | 216293001 | ROD-JOYSTICK | 1 | |
| 23 | * | 282821001 | HANDLE ASSY-CONT. | 1 | Replaces 235687001 |
| 24 | | 485001 | WASHER-3/16 FLAT | 2 | |

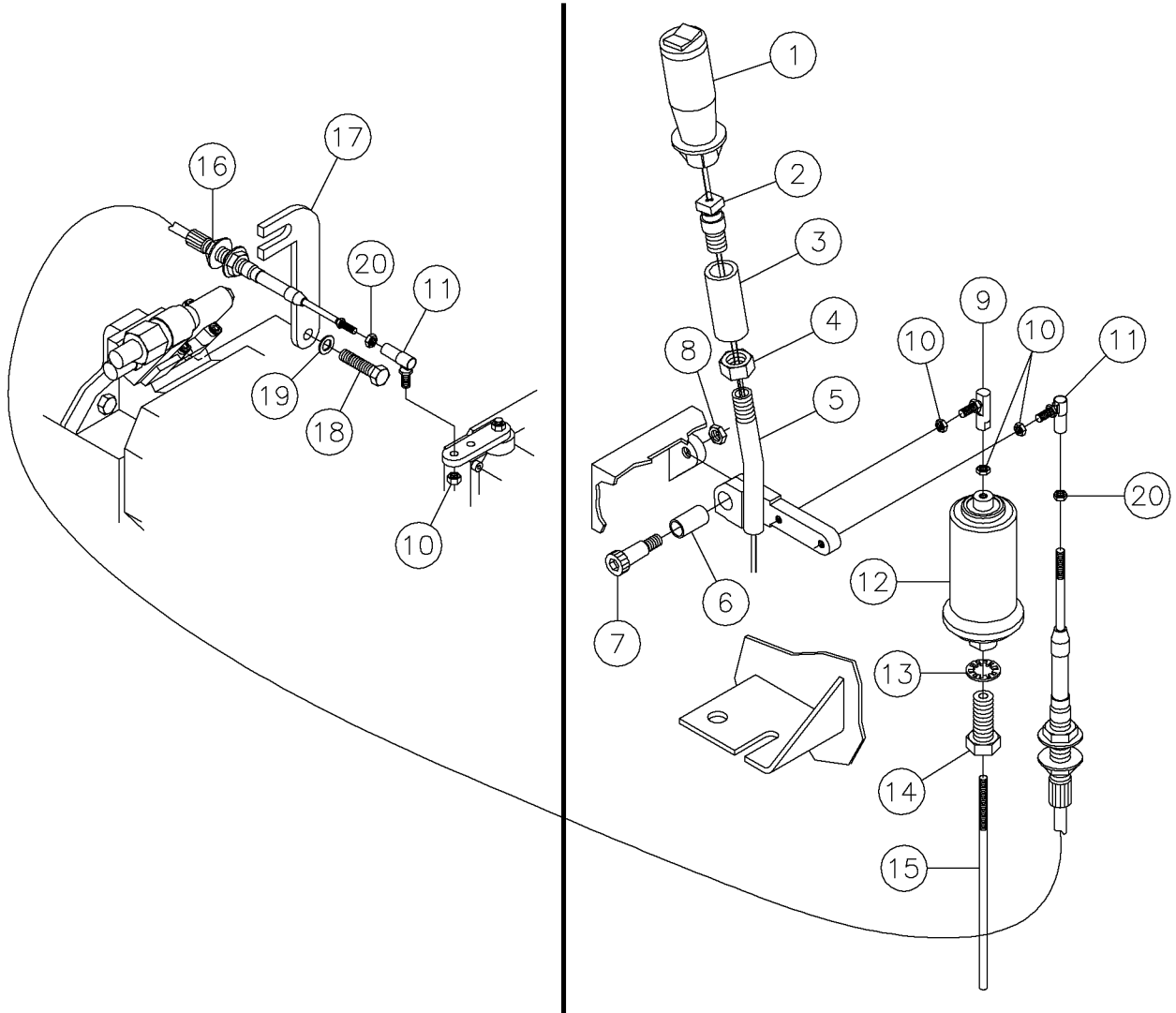
Control Lever - Rotation Fig 4-6r04



Control Lever - Rotation Fig 4-6r04

| REF. NO. | * | PART NO. | DESCRIPTION | QTY. | REMARKS |
|----------|---|---------------|---|------|--------------------------------------|
| | | Revision Date | May, 2006 | | Update In Illustration & Parts List. |
| 1 | | 251517001 | JOYSTICK W/ TOGGLE SWITCH | 1 | Breakdown Fig. 4-10 |
| 2 | | 216293001 | ROD-JOYSTICK | 1 | |
| 3 | | 216295001 | TUBE-EXTENSION | 1 | |
| 4 | | 452001 | NUT-5/8 N.F. HEX | 1 | |
| 5 | | 240415001 | HANDLE-ROTATION | 1 | |
| 6 | | 240383001 | BUSHING-HANDLE PIVOT | 1 | |
| 7 | | 129671001 | SCREW-1/2X1 SOCKET SHOULDER | 1 | |
| 8 | | 413001 | NUT-3/8 NC HEX JAM | 1 | |
| 9 | | 1489001 | BALL JOINT - 1/4" SP1002 CP | 1 | |
| 10 | | 14881001 | NUT-1/4-28 NF HEX JAM | 3 | |
| 11 | | 67271001 | 175-403-005 BALL JOINT | 2 | |
| 12 | | 220180001 | SPRING CENTER-CABLE CONTROL | 1 | |
| 13 | | 481005 | WASHER-5/8 EXT STAR | 1 | |
| 14 | | 228412001 | BOLT-GUIDE MOUNT 26184 | 1 | |
| 15 | | 275169001 | ROD-SPRING GUIDE | 1 | |
| 16 | | 278278001 | CABLE-313-VTT-3-118 CONTROL | 1 | S/N 401- |
| 17 | | 234742001 | MOUNT-ROTATION CABLE | 1 | |
| 18 | | 235723001 | SCREW - HCS -.38 - 16 X 1.50 - GR8 - YZ | 1 | |
| 19 | | 235713001 | WASHER - FLATSTRL - .38 - .41 X .81 - .06-YA-A325 | 1 | |
| 20 | | 26692001 | NUT-10-32 NF HEX | 2 | |

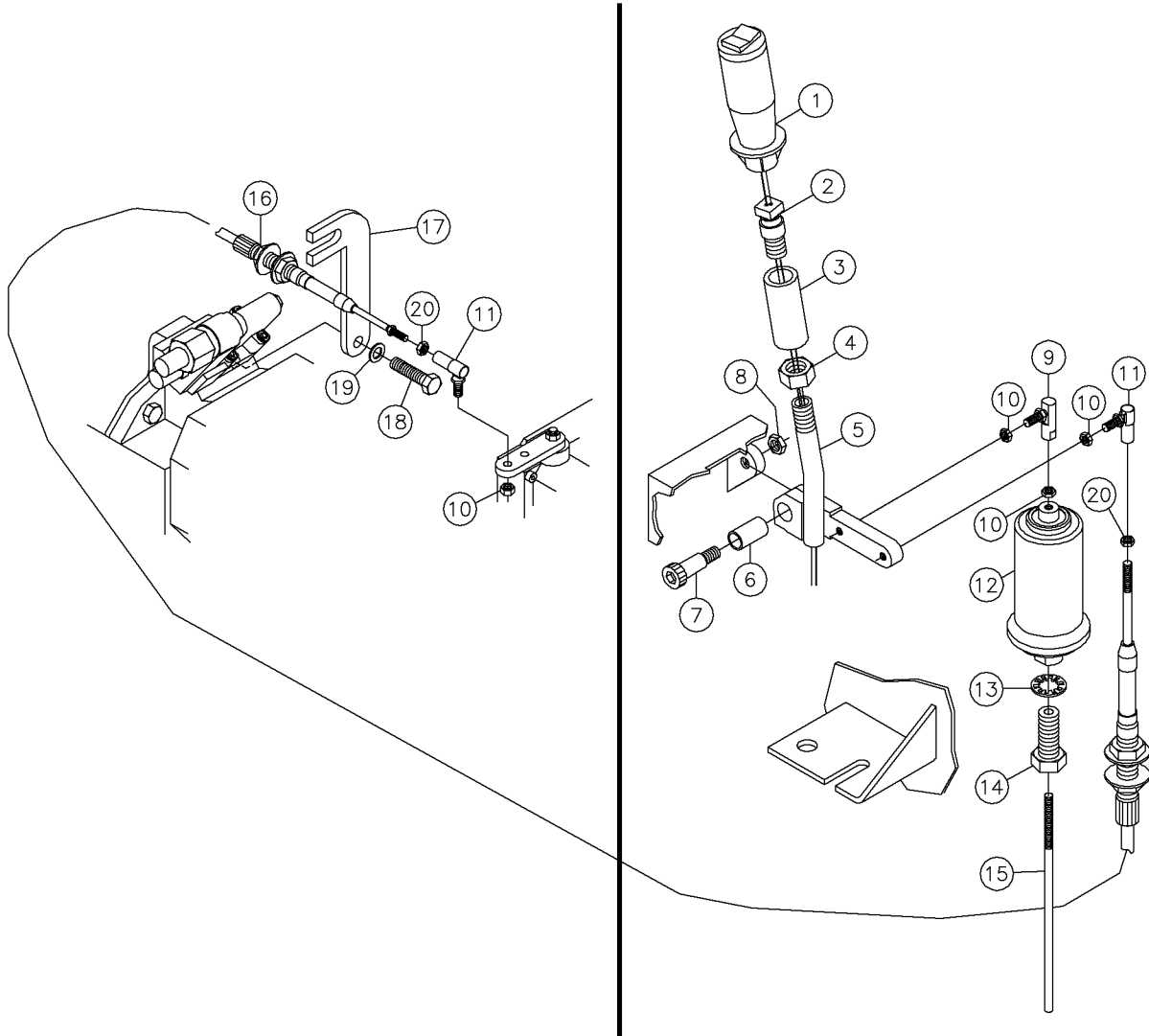
Control Lever - Rotation Fig 4-6r03



Control Lever - Rotation Fig 4-6r03

| REF. NO. | * | PART NO. | DESCRIPTION | QTY. | REMARKS |
|----------|---|---------------|---|------|--------------------------------------|
| | | Revision Date | September, 2004 | | Update In Illustration & Parts List. |
| 1 | | 251517001 | JOYSTICK W/ TOGGLE SWITCH | 1 | Breakdown Fig. 4-10 |
| 2 | | 216293001 | ROD-JOYSTICK | 1 | |
| 3 | | 216295001 | TUBE-EXTENSION | 1 | |
| 4 | | 452001 | NUT-5/8 N.F. HEX | 1 | |
| 5 | | 240415001 | HANDLE-ROTATION | 1 | |
| 6 | | 240383001 | BUSHING-HANDLE PIVOT | 1 | |
| 7 | | 129671001 | SCREW-1/2X1 SOCKET SHOULDER | 1 | |
| 8 | | 413001 | NUT-3/8 NC HEX JAM | 1 | |
| 9 | | 1489001 | BALL JOINT - 1/4" SP1002 CP | 1 | |
| 10 | | 14881001 | NUT-1/4-28 NF HEX JAM | 3 | |
| 11 | | 67271001 | 175-403-005 BALL JOINT | 2 | |
| 12 | | 220180001 | SPRING CENTER-CABLE CONTROL | 1 | |
| 13 | | 481005 | WASHER-5/8 EXT STAR | 1 | |
| 14 | | 228412001 | BOLT-GUIDE MOUNT 26184 | 1 | |
| 15 | | 275169001 | ROD-SPRING GUIDE | 1 | |
| 16 | | 278578001 | CABLE - CONTROL | 1 | S/N 407-, Replaces 235612001 |
| 17 | | 234742001 | MOUNT-ROTATION CABLE | 1 | |
| 18 | | 235723001 | SCREW - HCS -.38 - 16 X 1.50 - GR8 - YZ | 1 | |
| 19 | | 235713001 | WASHER - FLATSTRL - .38 - .41 X .81 - .06-YA-A325 | 1 | |
| 20 | | 26692001 | NUT-10-32 NF HEX | 2 | |

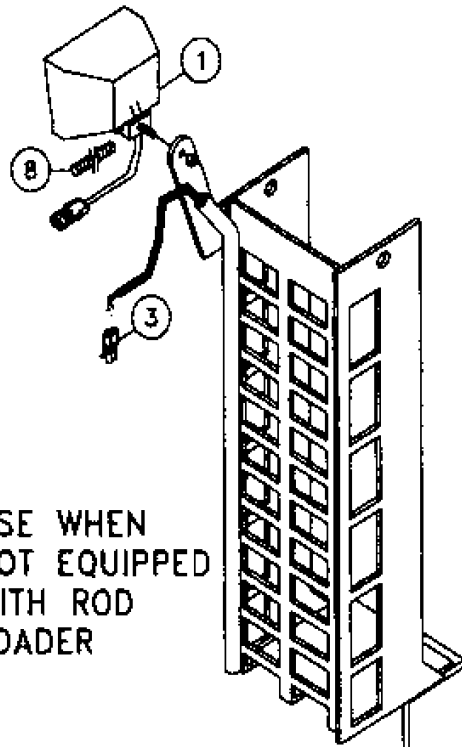
Control Lever - Rotation Fig 4-6r02



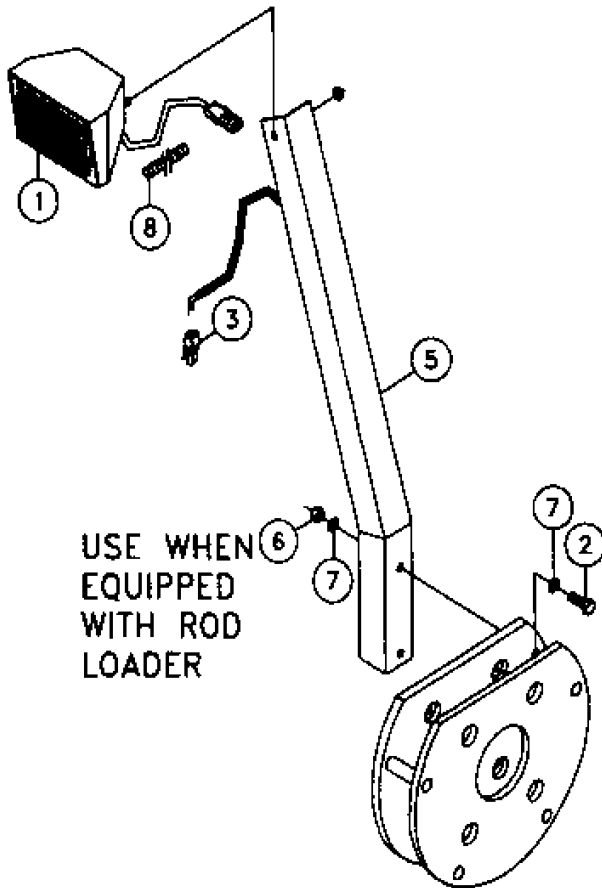
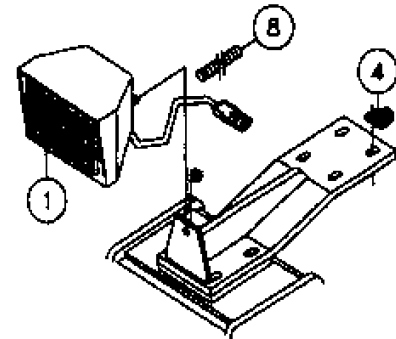
Control Lever - Rotation Fig 4-6r02

| REF. NO. | * | PART NO. | DESCRIPTION | QTY. | REMARKS |
|----------|---|---------------|--------------------------------|------|------------------------------|
| | | Revision Date | January, 2000 | | |
| 1 | | 251517001 | JOYSTICK | 1 | |
| 2 | | 216293001 | ROD-JOYSTICK | 1 | |
| 3 | | 216295001 | TUBE-EXTENSION | 1 | |
| 4 | | 452001 | NUT-5/8 N.F. HEX | 1 | |
| 5 | | 240415001 | HANDLE-ROTATION | 1 | |
| 6 | | 240383001 | BUSHING-HANDLE PIVOT | 1 | |
| 7 | | 129671001 | SCREW -1/2X1 SOCKET SHOULDER | 1 | |
| 8 | | 413001 | NUT-3/8 NC HEX JAM | 1 | |
| 9 | | 1489001 | BALL JOINT - 1/4" SP1002 CP | 1 | |
| 10 | | 14881001 | NUT-1/4-38 NF HEX JAM | 3 | |
| 11 | | 67271001 | 175-403-005 BALL JOINT | 2 | |
| 12 | | 220180001 | SPRING CENTER-CABLE CONTROL | 1 | |
| 13 | | 481005 | WASHER-5/8 EXT STAR | 1 | |
| 14 | | 228412001 | BOLT-GUIDE MOUNT | 1 | |
| 15 | | 275169001 | ROD-SPRING GUIDE | 1 | |
| 16 | * | 278578001 | CABLE-CONTROL | 1 | S/N 407-, Replaces 235612001 |
| 17 | | 234742001 | MOUNT-ROTATION CABLE | 1 | |
| 18 | | 235723001 | BOLT-3/8-16X1 1/2 GR8 ZINC PLT | 1 | |
| 19 | | 235713001 | WASHER-3/8 SAE HARD ZINC PLTD | 1 | |
| 20 | | 26692001 | NUT-10-32 NF HEX | 2 | |

Work Lights Fig 4-7r01



USE WHEN
NOT EQUIPPED
WITH ROD
LOADER

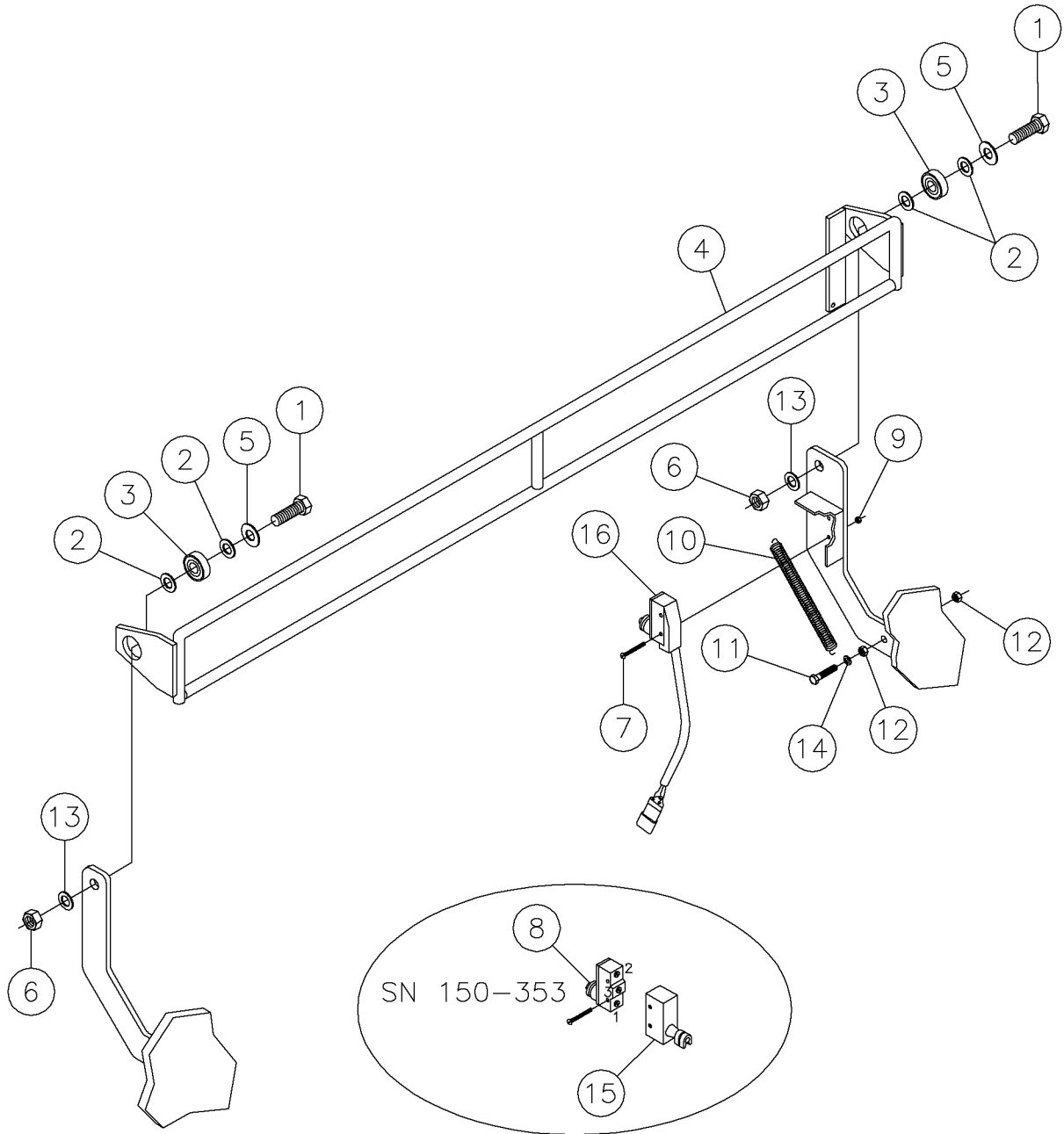


USE WHEN
EQUIPPED
WITH ROD
LOADER

Work Lights Fig 4-7r01

| REF. NO. | * | PART NO. | DESCRIPTION | QTY. | REMARKS |
|----------|---|---------------|--------------------------------|------|-----------------------|
| | | Revision Date | February, 1999 | | |
| 1 | | 245006001 | ASSEMBLY-3X5 FLOOD LIGHT | 2 | |
| 2 | | 235736001 | BOLT-3/8-16X1 1/4 ZINC PLTD | 2 | |
| 3 | | 91349001 | TOWER 2 WAY | 1 | |
| 4 | | 2595001 | HOSE CLAMP - TS7FR 1/2" | 1 | |
| 5 | | 250301001 | SUPPORT-LIGHT | 1 | |
| 6 | | 235725001 | NUT-3/8-16 GR8 ZINC PLTD | 2 | |
| 7 | | 235713001 | WASHER-3/8 SAE HARD ZINC PLTD | 4 | |
| 8 | * | 86318001 | LOOM-FLEXGUARD HI TAMP 1/4" ID | AR | P/N Qty Of 1 = 1 Foot |

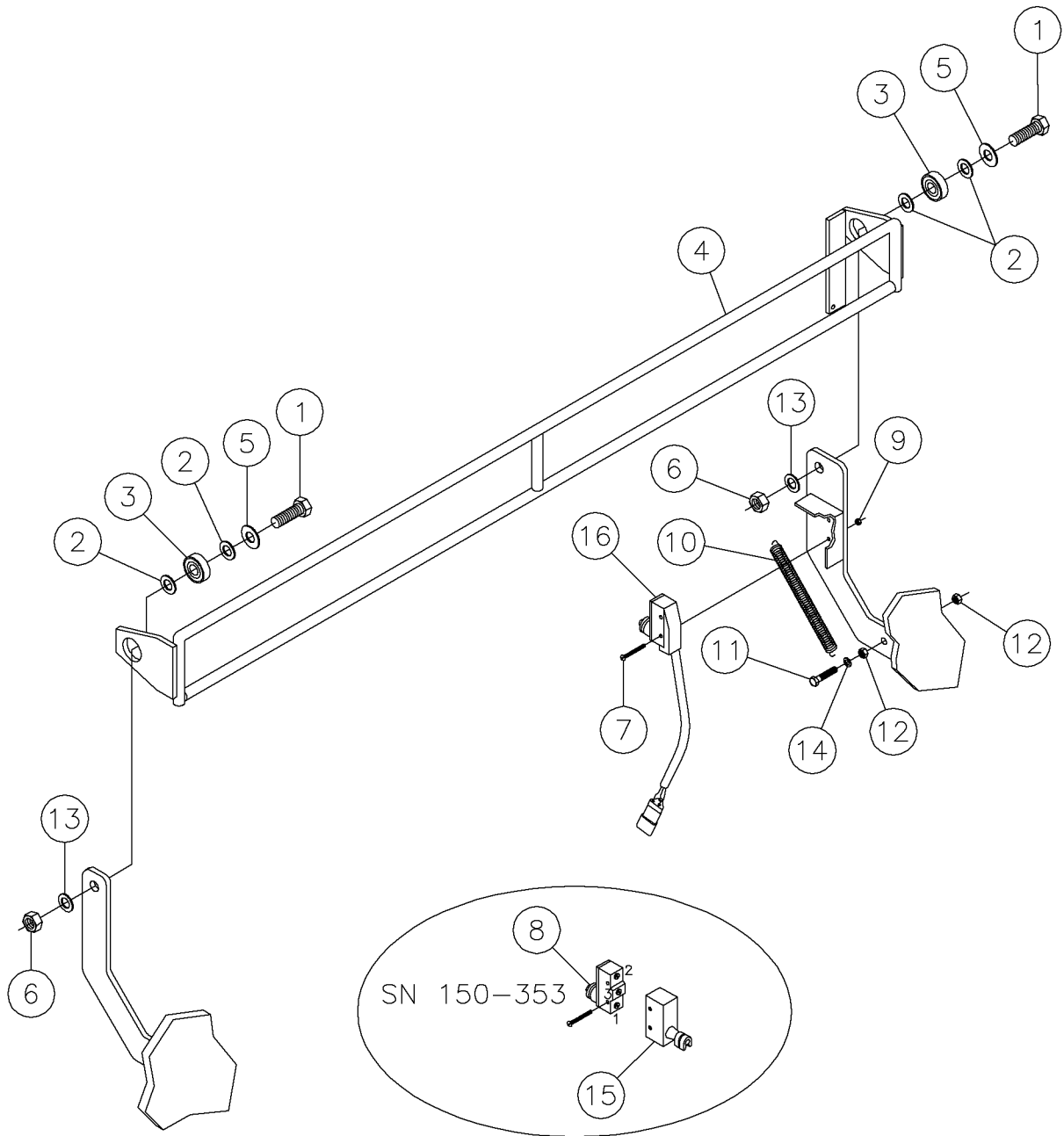
Safety Bar Fig 4-8r05



Safety Bar Fig 4-8r05

| REF. NO. | * | PART NO. | DESCRIPTION | QTY. | REMARKS |
|----------|---|---------------|---|------|--------------------------------------|
| | | Revision Date | May, 2005 | | Update In Illustration & Parts List. |
| 1 | | 235721001 | BOLT-1/2-13X1 1/2 GR8 ZINC PLT | 2 | |
| 2 | | 4542005 | WSHR-7/8OD X1/2ID X18 GA MB | 4 | |
| 3 | | 1745001 | BRG. DS 1616 1/2" | 2 | |
| 4 | | 251620001 | BAR-SAFETY | 1 | |
| 5 | | 485011 | WASHER-1/2 FLAT | 2 | |
| 6 | | 235731001 | NUT-1/2-13 GR8 ZINC PLTD | 2 | |
| 7 | | 93831001 | BOLT-6-32UNCX1 1/4 STOVE | 2 | |
| 8 | | 219154001 | SWITCH-15A SCWT .047"PT WTRPRF | 1 | |
| 9 | | 69757001 | LOCKNUT-#6-32 NYLON INSERT PLT | 2 | |
| 10 | | 1789009 | SPRING - EXTENSION 5" | 1 | |
| 11 | | 235735001 | BOLT-1/4-20X1 GR8 HEX ZNC PLTD | 1 | |
| 12 | | 235732001 | NUT - HEX - .25 - 20 - GR8 - YZ | 2 | |
| 13 | | 485025 | WASHER-1/2 FLAT-HARDENED-YZ | 2 | |
| 14 | | 235716001 | WASHER - FLATSTRL - .25 -.28 X .63 - .06 - CZ | 1 | |
| 15 | | 278013001 | BOOT -15A PLUNGER SWITCH TERML | 1 | S/N 150-353 |
| 16 | | 251695001 | SWITCH - LIMIT SEALED W/3-PIN DEUTSCH | 1 | S/N 354- |

Safety Bar Fig 4-8r04

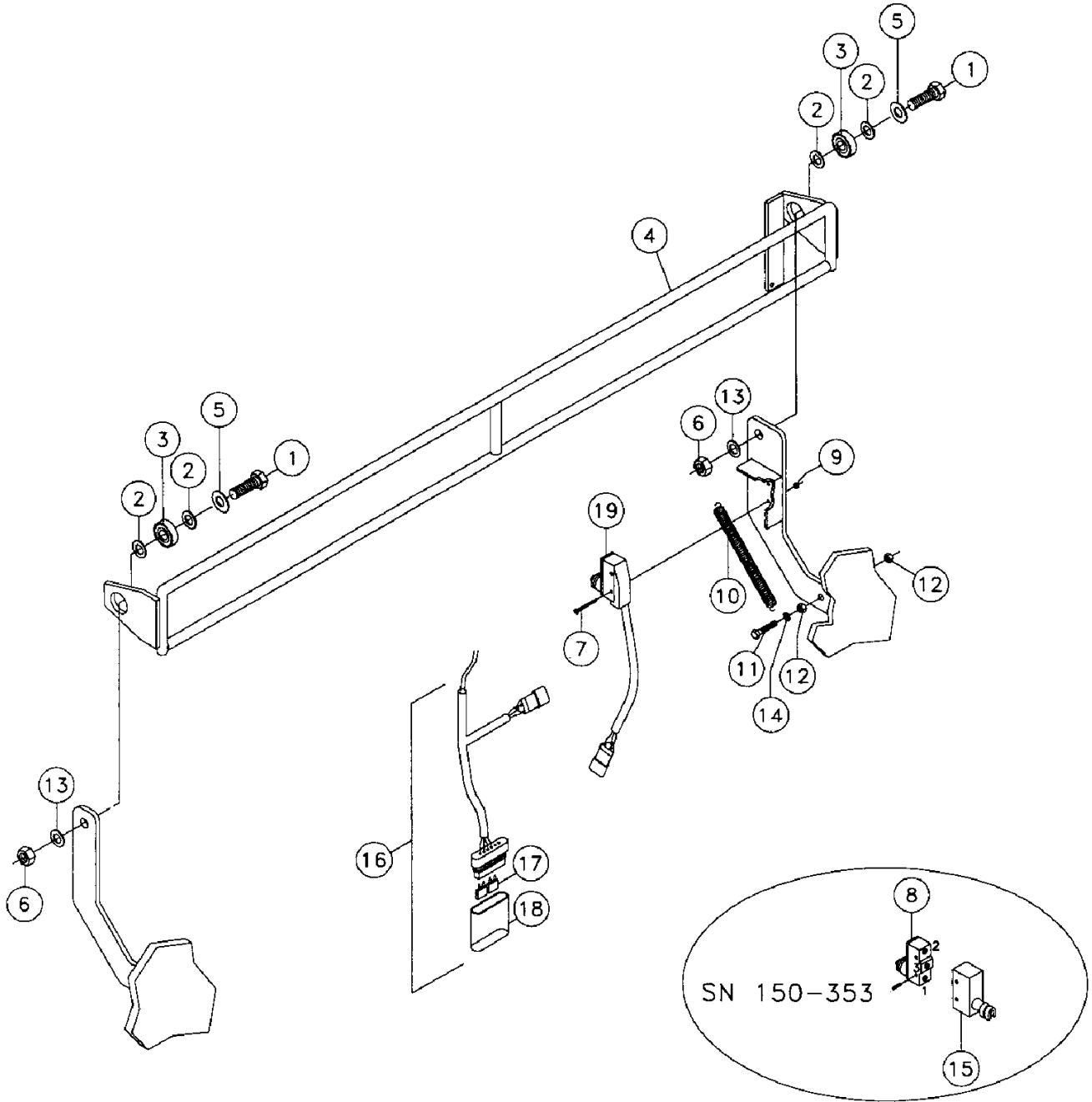


Safety Bar Fig 4-8r04

| REF. NO. | * | PART NO. | DESCRIPTION | QTY. | REMARKS |
|----------|---|---------------|---|------|--------------------------------------|
| | | Revision Date | September, 2004 | | Update In Illustration & Parts List. |
| 1 | | 235721001 | BOLT-1/2-13X1 1/2 GR8 ZINC PLT | 2 | |
| 2 | | 4542005 | WSHR-7/8OD X1/2ID X18 GA MB | 4 | |
| 3 | | 1745001 | BRG. DS 1616 1/2" | 2 | |
| 4 | | 251620001 | BAR-SAFETY | 1 | |
| 5 | | 485011 | WASHER-1/2 FLAT | 2 | |
| 6 | | 235731001 | NUT-1/2-13 GR8 ZINC PLTD | 2 | |
| 7 | | 93831001 | BOLT-6-32UNCX1 1/4 STOVE | 2 | |
| 8 | | 219154001 | SWITCH-15A SCWT .047"PT WTRPRF | 1 | |
| 9 | | 69757001 | LOCKNUT-#6-32 NYLON INSERT PLT | 2 | |
| 10 | | 1789009 | SPRING - EXTENSION 5" | 1 | |
| 11 | | 235735001 | BOLT-1/4-20X1 GR8 HEX ZNC PLTD | 1 | |
| 12 | | 235732001 | NUT - HEX - .25 - 20 - GR8 - YZ | 2 | |
| 13 | | 485025 | WASHER-1/2 FLAT-HARDENED-YZ | 2 | |
| 14 | | 235716001 | WASHER - FLATSTRL - .25 -.28 X .63 - .06 - CZ | 1 | |
| 15 | | 278013010 | BOOT-SWITCH | 1 | S/N 150-353 |
| 16 | | 251695001 | SWITCH - LIMIT SEALED W/3-PIN DEUTSCH | 1 | S/N 354- |

Safety Bar Fig 4-8r03

Revised August 1999 due to update in illustration & parts list. Added part marked with *.



Safety Bar Fig 4-8r03

| REF. NO. | * | PART NO. | DESCRIPTION | QTY. | REMARKS |
|----------|---|---------------|-------------------------------------|------|----------------------|
| | | Revision Date | August, 1999 | | |
| 1 | | 235721001 | BOLT-1/2-13X1 1/2 GR8 ZINC PLT | 2 | |
| 2 | | 4542005 | WSHR-7/8OD X1/2ID X18 GA MB | 4 | |
| 3 | | 1745001 | BRG. DS 1616 1/2" | 2 | |
| 4 | | 251620001 | BAR-SAFETY | 1 | |
| 5 | | 485011 | WASHER-1/2 FLAT | 2 | |
| 6 | | 235731001 | NUT-1/2-13 GR8 ZINC PLTD | 2 | |
| 7 | | 93831001 | BOLT-6-32UNCX1 1/4 STOVE | 2 | |
| 8 | | 219154001 | SWITCH-15A SCWT .047"PT WTRPRF | 1 | |
| 9 | | 69757001 | LOCKNUT-#6-32 NYLON INSERT PLT | 2 | |
| 10 | | 1789009 | SPRING - EXTENSION 5" | 1 | |
| 11 | | 235735001 | BOLT-1/4-20X1 GR8 HEX ZNC PLTD | 1 | |
| 12 | | 235732001 | NUT-1/4-20 GR8 ZINC PLTD | 2 | |
| 13 | | 485025 | WASHER-1/2 FLAT-HARDENED-ZINC | 2 | |
| 14 | | 235716001 | WASHER-1/4 SAE HARD ZINC PLTD | 1 | |
| 15 | | 278013010 | BOOT-SWITCH | 1 | S/N 150-353 |
| 16 | | 251675001 | HARNESS-SAFETY BAR | 1 | Inc Ref No's 17 & 18 |
| 17 | | 250387005 | DIODE-1 AMP | 2 | |
| 18 | | 250387003 | CAP-CLEAR VES-PAC | 1 | |
| 19 | | 251695001 | SWITCH-LIMIT, SEALED W/3 PIN DEUSCH | 1 | S/N 354- |

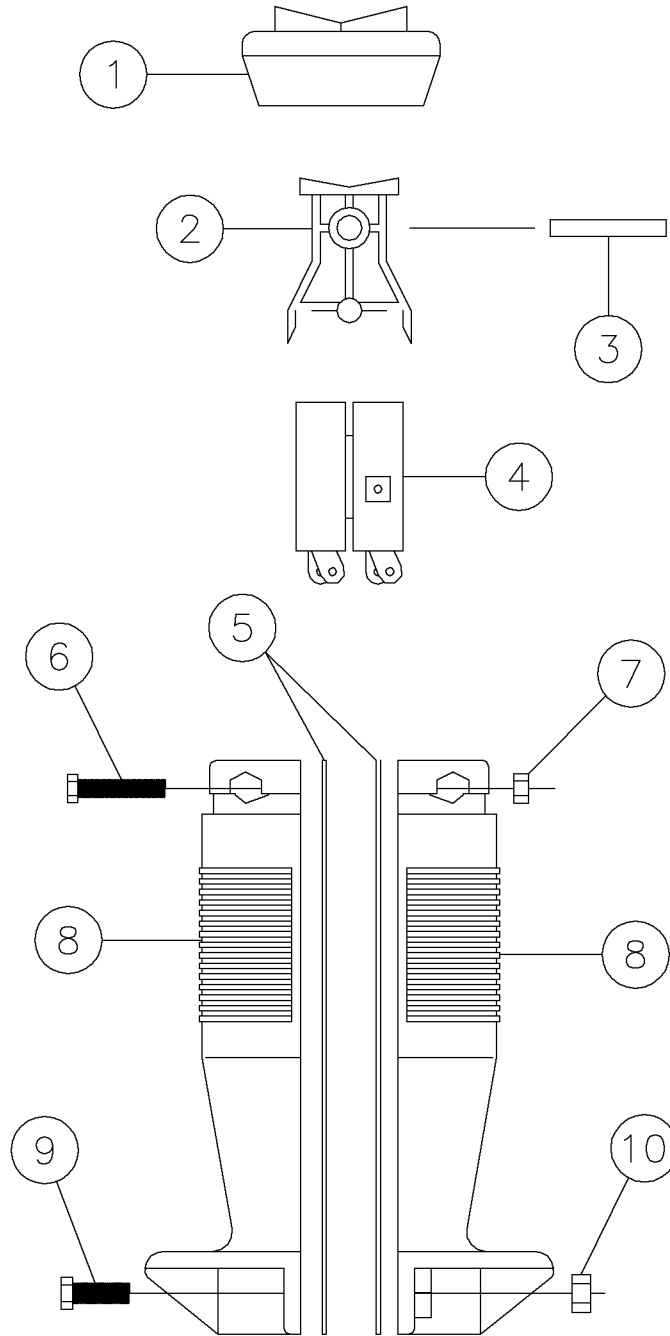
Rod Marker Fig 4-9r01

DELETED DUE TO UPDATE

Rod Marker Fig 4-9r01

| REF. NO. | * | PART NO. | DESCRIPTION | QTY. | REMARKS |
|----------|---|---------------|-------------|------|---|
| | | Revision Date | July, 1999 | | Due To Elimination Of Figure From Manual. |

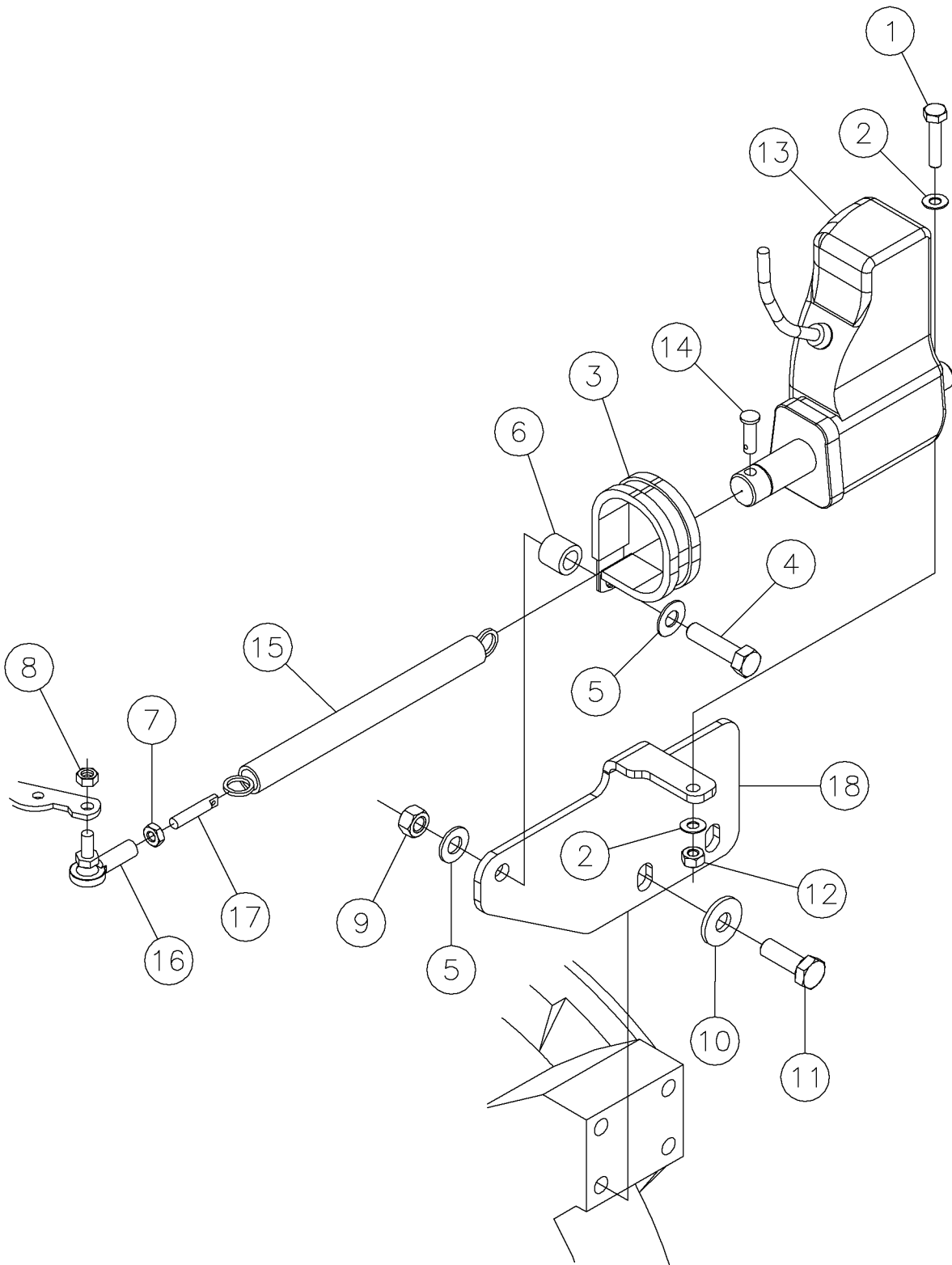
Control Lever Components - Rotation Fig 4-10



Control Lever Components - Rotation Fig 4-10

| REF. NO. | * | PART NO. | DESCRIPTION | QTY. | REMARKS |
|----------|---|---------------|-------------------------|------|--------------------|
| | | Revision Date | September, 2004 | | Addition To Manual |
| 1 | | 103762003 | BOOT-ROCKER SWITCH | 1 | |
| 2 | | 296271071 | ROCKER | 1 | |
| 3 | | 251517003 | PIN - PIVOT | 1 | |
| 4 | | 296271072 | MICROSWITCH | 1 | |
| 5 | | 296271075 | GASKET | 2 | |
| 6 | | 251517007 | SCREW - ME X 16MM | 2 | |
| 7 | | 251517009 | NUT - M3 | 2 | |
| 8 | | 251517005 | HANDLE - PLASTIC (HALF) | 1 | |
| 9 | | 251517011 | SCREW - M4 X 10MM | 2 | |
| 10 | | 251517013 | NUT - M4 | 2 | |

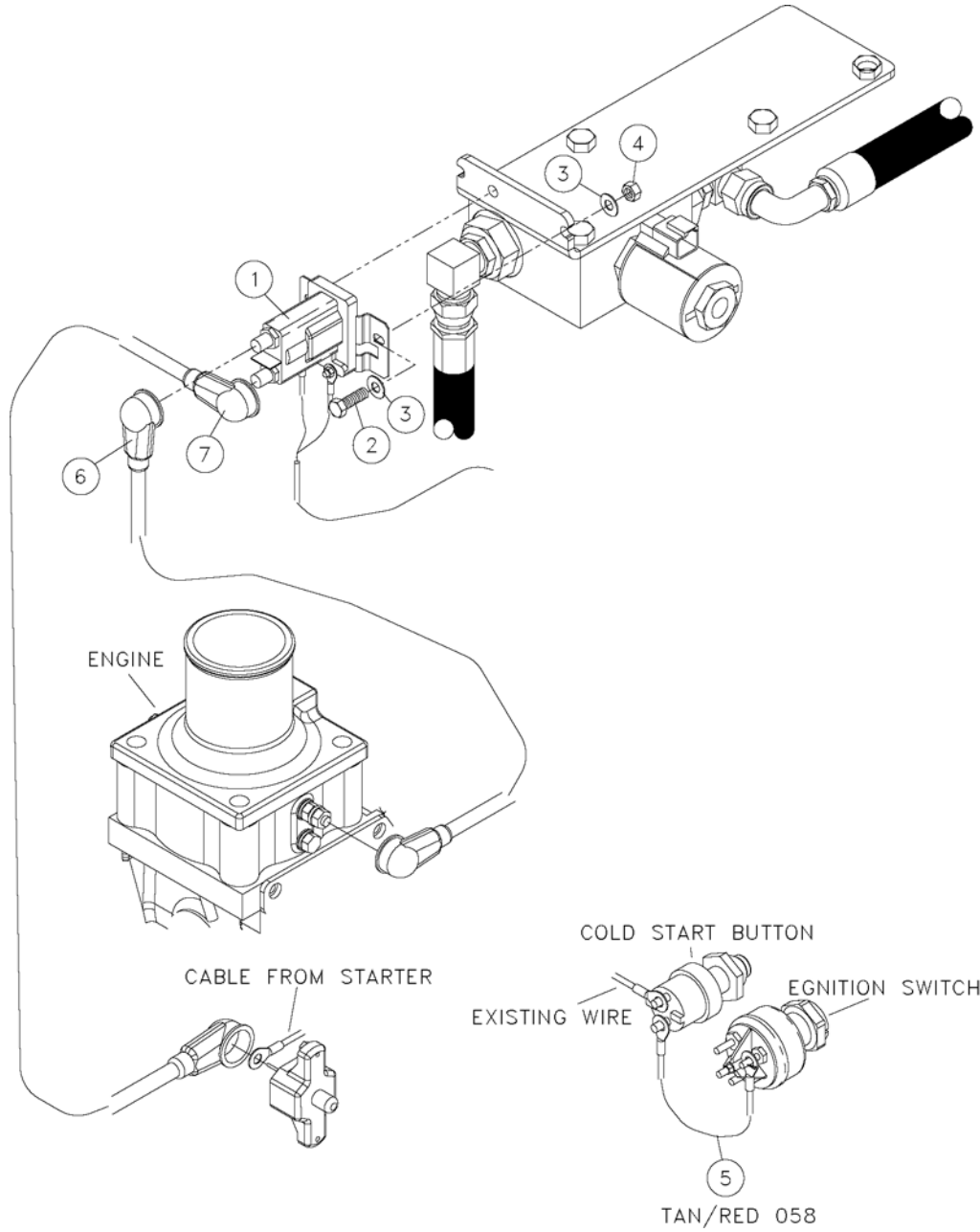
Throttle Actuator Fig 4-11



Throttle Actuator Fig 4-11

| REF. NO. | * | PART NO. | DESCRIPTION | QTY. | REMARKS |
|----------|---|---------------|--------------------------------------|------|--------------------|
| | | Revision Date | September, 2004 | | Addition To Manual |
| 1 | | NSS | SCREW | 1 | |
| 2 | | NSS | WASHER | 2 | |
| 3 | | NSS | P CLAMP | 1 | |
| 4 | | NSS | BOLTS | 1 | |
| 5 | | NSS | WASHER | 2 | |
| 6 | | NSS | SPACER | 1 | |
| 7 | | NSS | ROD END JAM NUT | 1 | |
| 8 | | NSS | JAM NUT | 1 | |
| 9 | | NSS | BRACKET- NUT | 1 | |
| 10 | | NSS | BRACKET- WASHER | 2 | |
| 11 | | NSS | BRACKET - BOLT | 2 | |
| 12 | | NSS | NUT | 1 | |
| 13 | | 296266654 | ACTUATOR - THROTTLE ELECTRIC | 1 | |
| 14 | | 2110021 | PIN - CLEVIS 1/4 X 1-1/4 - 1-7/64 UL | 1 | |
| 15 | | 296274610 | SPRING | 1 | |
| 16 | | 296278012 | BALL JOINT | 1 | |
| 17 | | 296278004 | SPRING CONNECTOR | 1 | |
| 18 | | 296277251 | THROTTLE - BRACKET | 1 | |
| | | | | | |
| | | 296278013 | THROTTLE - HARDWARE KIT | | INC. ITEMS 1-12 |
| | | NSS | NOT SOLD SEPARATELY | | |

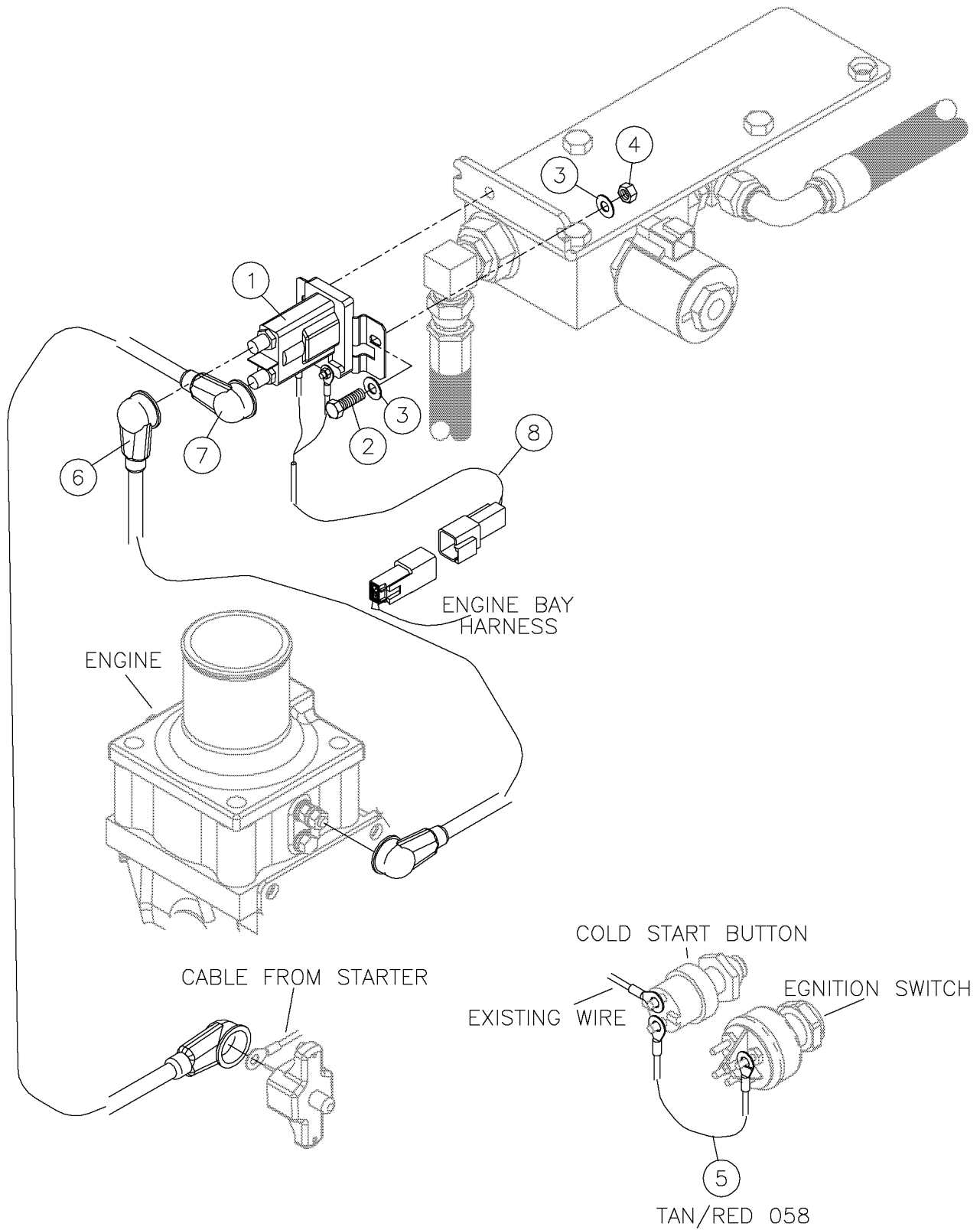
Grid Heater Relay (S/N 1328-) Fig 4-12r01



Grid Heater Relay (S/N 1328-) Fig 4-12r01

| REF. NO. | * | PART NO. | DESCRIPTION | QTY. | REMARKS |
|----------|---|---------------|--|------|-------------------------------|
| | | Revision Date | October, 2005 | | Update In Illus. & Parts List |
| 1 | | 296280252 | RELAY COIL 12V DC CONT. | 1 | |
| 2 | | 235734001 | BOLT-1/4-20X3/4 GR8 ZINC PLTD | 2 | |
| 3 | | 235716001 | WASHER - FLATSTRL - .25 - .28 X .63 - .06 - CZ | 4 | |
| 4 | | 1809005 | NUT-1/4 SM FLGE T.L. | 2 | |
| 5 | * | 296280321 | CABLE-4GA.X7" EE RED BOOT | 1 | PN Added back |
| 6 | | 296280255 | CABLE - 4 GA. X 14" E-E RED BOOT | 1 | |
| 7 | | 296280256 | CABLE - 4 GA. X 30" E-E RED BOOT | 1 | |

Grid Heater Relay (S/N 1328-) Fig 4-12



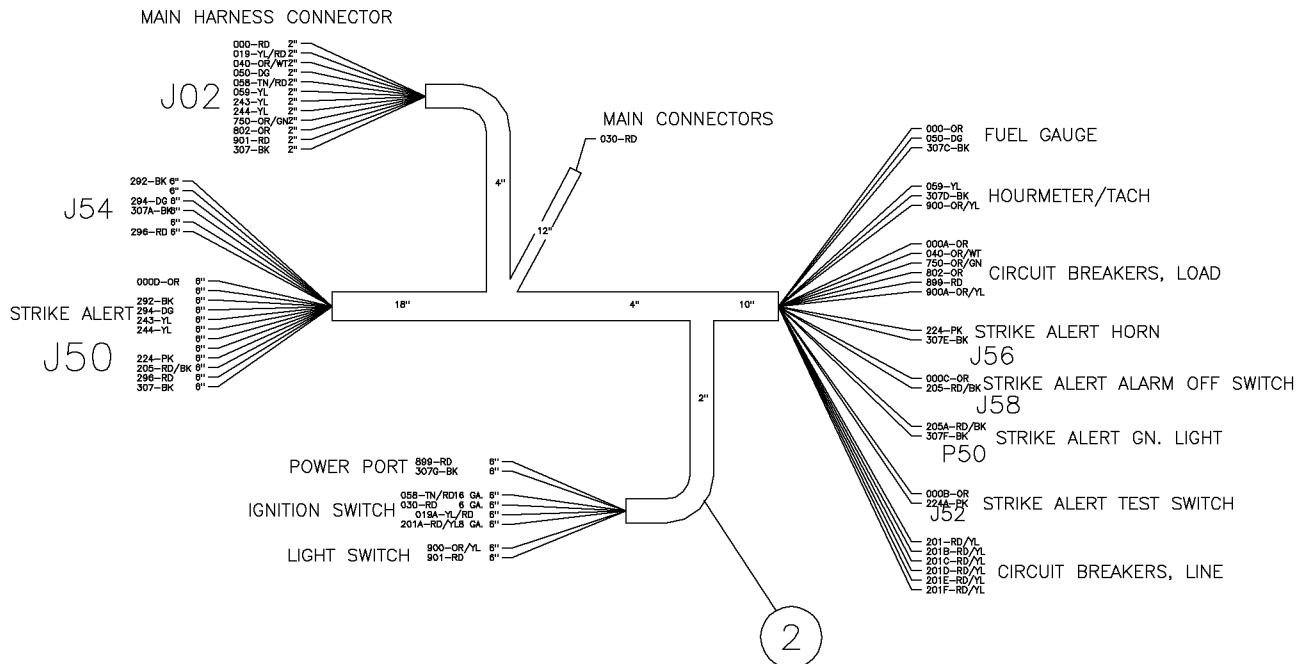
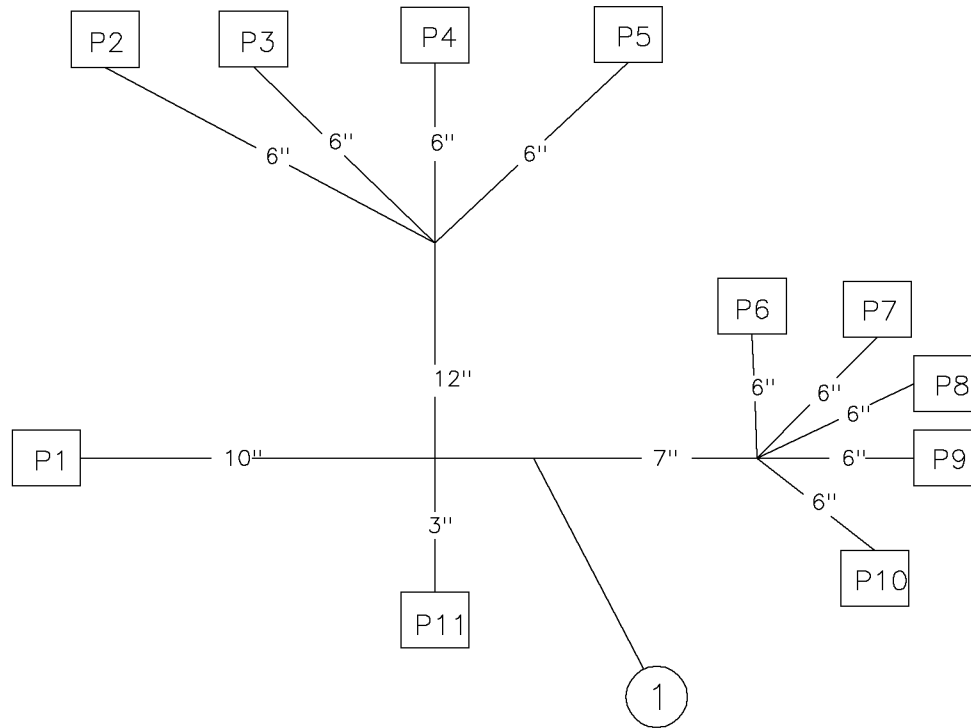
Grid Heater Relay (S/N 1328-) Fig 4-12

| REF. NO. | * | PART NO. | DESCRIPTION | QTY. | REMARKS |
|----------|---|---------------|--|------|--------------------|
| | | Revision Date | May, 2005 | | Addition To Manual |
| 1 | | 296280252 | RELAY COIL 12V DC CONT. | 1 | |
| 2 | | 235734001 | BOLT-1/4-20X3/4 GR8 ZINC PLTD | 2 | |
| 3 | | 235716001 | WASHER - FLATSTRL - .25 - .28 X .63 - .06 - CZ | 4 | |
| 4 | | 1809005 | NUT-1/4 SM FLGE T.L. | 2 | |
| 6 | | 296280255 | CABLE - 4 GA. X 14" E-E RED BOOT | 1 | |
| 7 | | 296280256 | CABLE - 4 GA. X 30" E-E RED BOOT | 1 | |
| 8 | | 296280253 | HARNESS-RELAY-2P DEUTSCH CONN. | 1 | |

Harness-Main/Seat (S/N 1400-) Fig 4-13

| REF. NO. | * | PART NO. | DESCRIPTION | QTY. | REMARKS |
|----------|---|---------------|------------------------|------|--------------------|
| | | Revision Date | May, 2006 | | Addition To Manual |
| 1 | | 296277308 | HARNESS - D16X20A MAIN | 1 | |
| 2 | | 296280320 | HARNESS - SEAT D16X20A | 1 | |

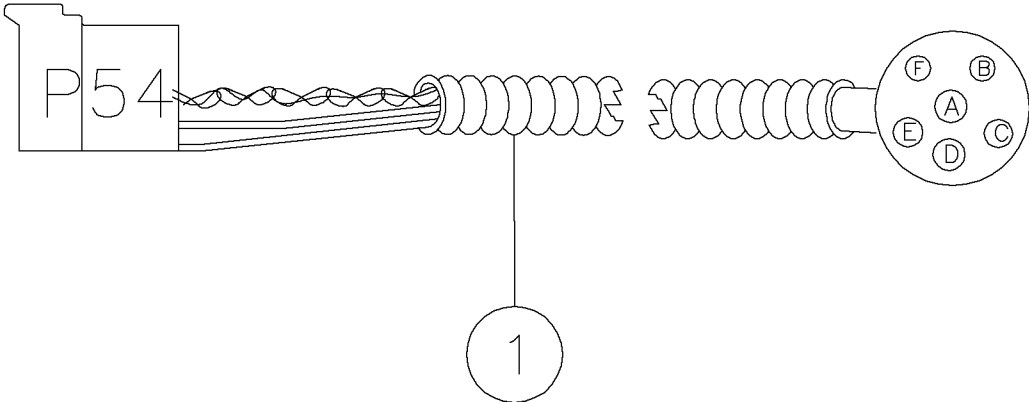
Harness-Relay/Panel (S/N 1400-) Fig 4-14



Harness-Relay/Panel (S/N 1400-) Fig 4-14

| REF. NO. | * | PART NO. | DESCRIPTION | QTY. | REMARKS |
|----------|---|---------------|------------------------------|------|--------------------|
| | | Revision Date | May, 2006 | | Addition To Manual |
| 1 | | 296280319 | HARNESS - RELAY D16X20A | 1 | |
| 2 | | 296280299 | WIRE HARNESS - D16X20A PANEL | 1 | |

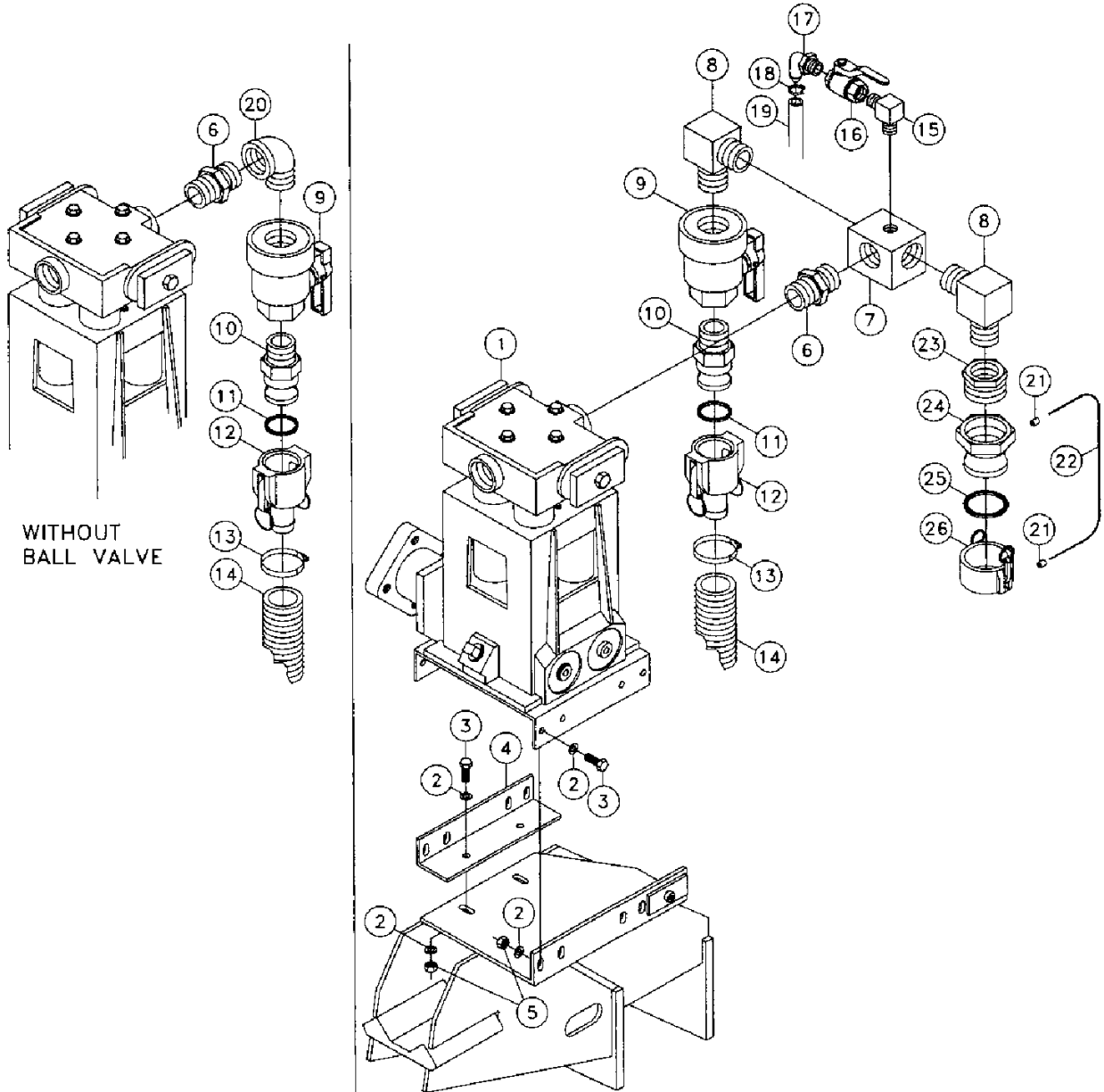
Harness-Strike Alert Coil 14" (1400-) Fig 4-15



Harness-Strike Alert Coil 14" (1400-) Fig 4-15

| REF. NO. | * | PART NO. | DESCRIPTION | QTY. | REMARKS |
|----------|---|---------------|---------------------------------|------|--------------------|
| | | Revision Date | May, 2006 | | Addition To Manual |
| 1 | | 296280315 | HARNESS - STRIKE ALERT COIL 14' | 1 | |

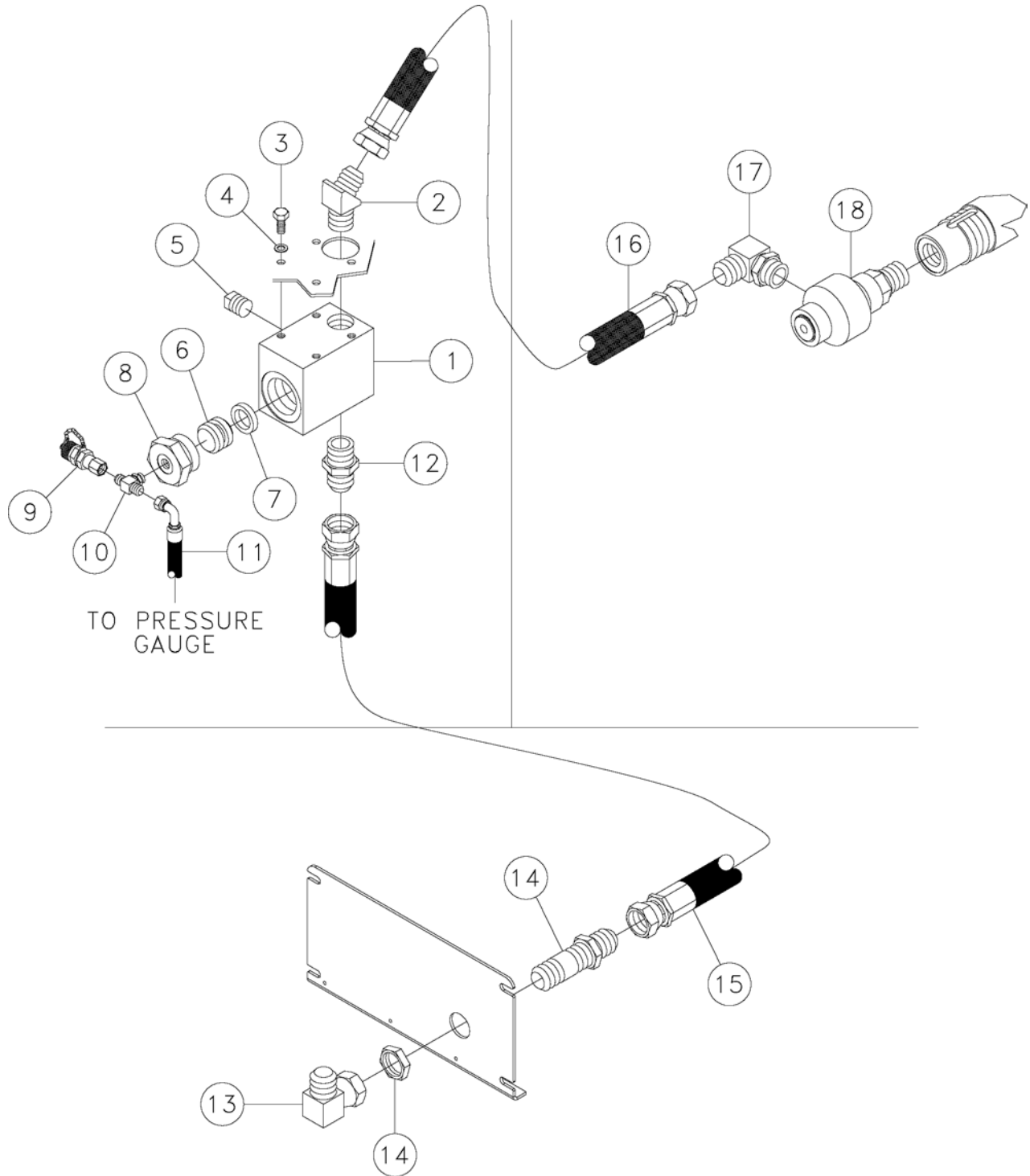
Water Pump Fig 5-1r03



Water Pump Fig 5-1r03

| REF. NO. | * | PART NO. | DESCRIPTION | QTY. | REMARKS |
|----------|---|---------------|-----------------------------------|------|-------------------------|
| | | Revision Date | July, 1999 | | |
| 1 | | 236318001 | PUMP-13.5 GPM WATER | 1 | Breakdown Fig 5-6 & 5-7 |
| 2 | | 235713001 | WASHER-3/8 SAE HARD ZINC PLTD | 20 | |
| 3 | | 235727001 | BOLT-3/8-16X1 GR8 HEX ZINC PLT | 10 | |
| 4 | | 278035001 | PLATE-PUMP MOUNT SLIDE | 1 | |
| 5 | | 235725001 | NUT-3/8-16 GR 8 ZIN PLTD | 10 | |
| 6 | | 119495010 | FITTING-HEX NIPPLE | 1 | |
| 7 | | 278001001 | MANIFOLD-WATER PUMP | 1 | |
| 8 | | 130434001 | FITTING-1 1/4 NPT 90 MALE ELBOW | 2 | |
| 9 | | 236324001 | VALVE-UV-125-FP BANJO | 1 | |
| 10 | * | 236332001 | ADAPTER-1 1/4 M NPT X 1 1/2 M CAM | 1 | |
| 11 | | 236331001 | GASKET-1 1/2" | 1 | |
| 12 | | 278036001 | HOSE-SHANK-1 1/2F X 1 1/2 CL PL | 1 | Inc Ref No 11 |
| 13 | | 1580007 | HOSE CLAMP-1 1/2" | 1 | |
| 14 | | 278034001 | HOSE-1.50 300 SPDM 28.00 | 1 | |
| 15 | | 904831001 | FITTING-1/2M NPT X 1/2 M NPT 90 | 1 | |
| 16 | | 1976001 | VALVE-1/2" BALL | 1 | |
| 17 | | 278032001 | HOSE-BARB-1/2MPT X 1/2 90 DEG | 1 | |
| 18 | | 1580003 | HOSE CLAMP-3/4" | 1 | |
| 19 | | 67355047 | 1/2" ID VINYL REIN. HOSE 24.00 | 1 | |
| 20 | | 716011 | 1 1/4X90 DEG ST EL BLACK | 1 | |
| 21 | | 1838001 | CONNECTOR-WIRE (ETC) | 2 | |
| 22 | | 244069001 | CABLE-3/32X12" NYLON COATED | 1 | |
| 23 | | 244015001 | BUSHING-2" X 1 1/4" REDUCER POLY | 1 | |
| 24 | | 244068001 | COUPLING-2"F NPT X 2" CAM L POLY | 1 | |
| 25 | | 225992003 | GASKET-2" | 1 | |
| 26 | | 224941001 | CAP-2" CAM LOCK | 1 | Inc Ref No 25 |

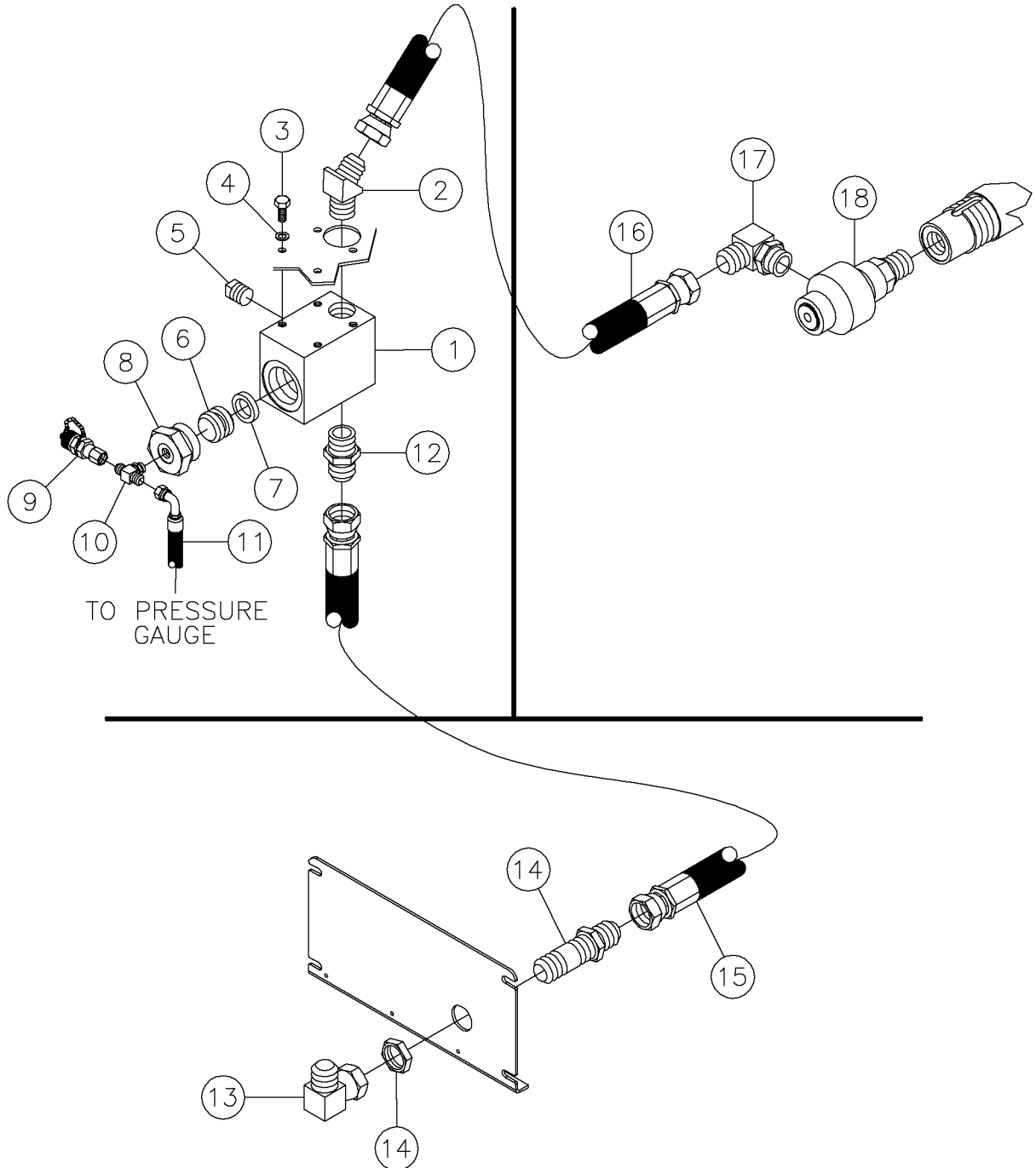
Water Lines Fig 5-2r05



Water Lines Fig 5-2r05

| REF. NO. | * | PART NO. | DESCRIPTION | QTY. | REMARKS |
|----------|---|---------------|---|------|-------------------------------|
| | | Revision Date | October, 2005 | | Update In Illus & Parts List. |
| 1 | | 251502001 | MANIFOLD-MUD PLUNGER | 1 | |
| 2 | | 503346001 | ELBOW-3/4 JIC X 3/4 NPT 45 M | 1 | S/N 416- |
| 3 | | 235742001 | BOLT-5/16-18X3/4 GR8 ZINC PLTD | 4 | |
| 4 | | 235714001 | WASHER - FLATSTRL - .31 - .34 X .69 - .06-YZ-A325 | 4 | |
| 5 | | 732007 | 1/2" PIPE PLUG BLACK STEEL REF T04729 | 1 | |
| 6 | | 238139001 | PISTON INSERT - MANIFOLD | 1 | |
| 7 | | 250612001 | O-RING - 316 | 1 | |
| 8 | | 251503001 | PLUG-20 ORB MODIFIED | 1 | |
| 9 | | 83015001 | FITTING-4F JIC DIAGNOSTIC | 1 | |
| 10 | * | 82730001 | FITTING-6MX4M JICX4MJIC RUN TEE | 1 | PN Change |
| 11 | | 53843733 | HOSE-1/4X144 4FSJICST/90D3000# | 1 | |
| 12 | | 53836001 | 3/4M PIPE-#12M JIC ST. | 1 | |
| 13 | | 59422001 | FITTING-90-12MJ-12FSJ | 1 | |
| 14 | | 201485001 | 12M JIC X 12M JIC BULKHEAD STR | 1 | |
| 15 | | 53845543 | HOSE-3/4X74 12FS JIC 3000 PSI | 1 | |
| 16 | | 53845483 | HOSE-3/4X140 12FS JIC 3000 PSI | 1 | |
| 17 | | 59410001 | FITTING-90-12MJ-12MORBA | 1 | |
| 18 | | 224904007 | REPAIR KIT | 1 | |

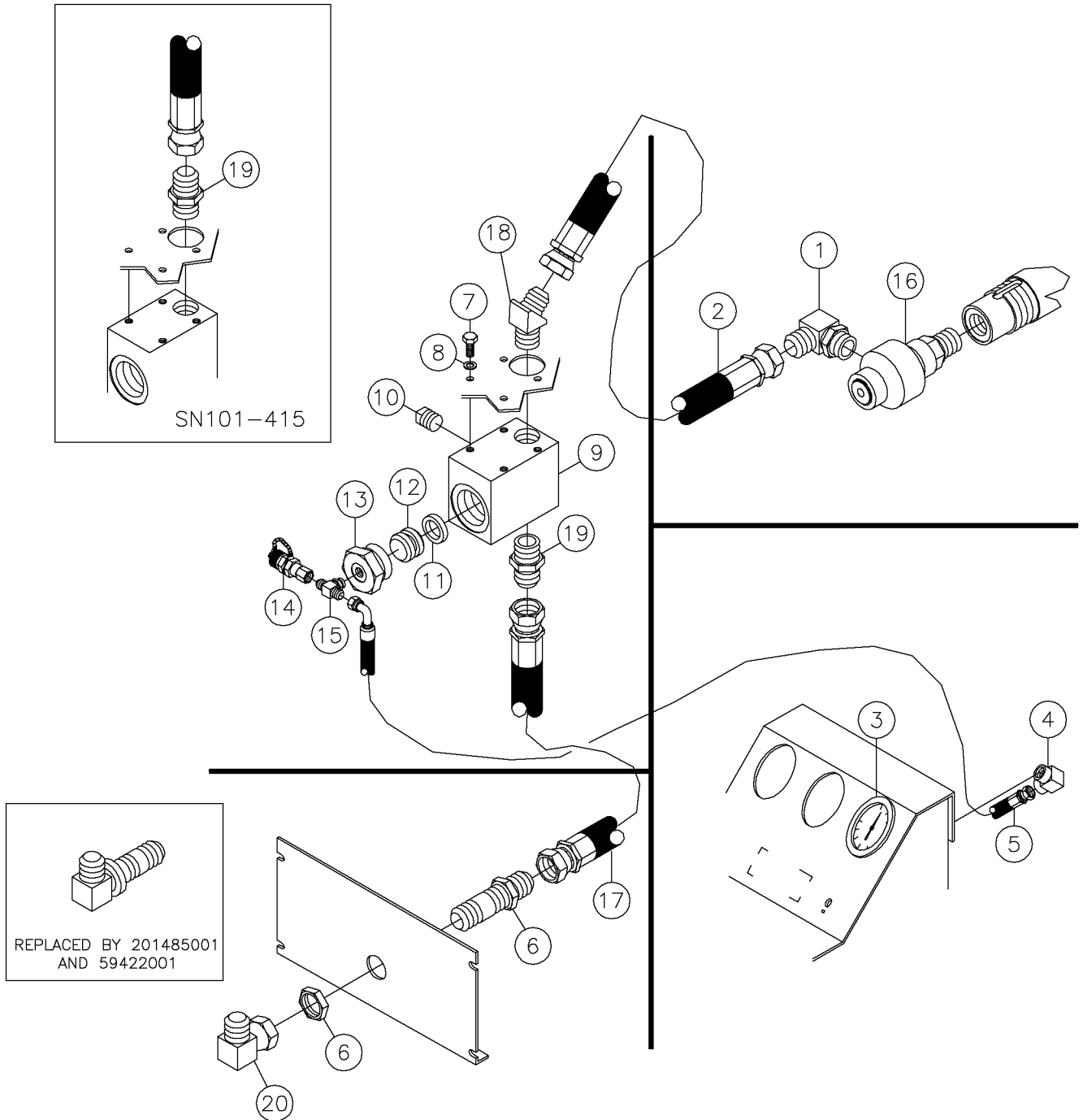
Water Lines Fig 5-2r04



Water Lines Fig 5-2r04

| REF. NO. | * | PART NO. | DESCRIPTION | QTY. | REMARKS |
|----------|---|---------------|---|------|--------------------------------------|
| | | Revision Date | September, 2004 | | Update In Illustration & Parts List. |
| 1 | | 251502001 | MANIFOLD-MUD PLUNGER | 1 | |
| 2 | | 503346001 | ELBOW-3/4 JIC X 3/4 NPT 45 M | 1 | S/N 416- |
| 3 | | 235742001 | BOLT-5/16-18X3/4 GR8 ZINC PLTD | 4 | |
| 4 | | 235714001 | WASHER - FLATSTRL - .31 - .34 X .69 - .06-YZ-A325 | 4 | |
| 5 | | 732007 | 1/2" PIPE PLUG BLACK STEEL REF T04729 | 1 | |
| 6 | | 238139001 | PISTON INSERT - MANIFOLD | 1 | |
| 7 | | 250612001 | O-RING - 316 | 1 | |
| 8 | | 251503001 | PLUG-20 ORB MODIFIED | 1 | |
| 9 | | 83015001 | FITTING-4F JIC DIAGNOSTIC | 1 | |
| 10 | | 81343001 | 4M (BCH)X4M JICX4M JIC TEE | 1 | |
| 11 | | 53843733 | HOSE-1/4X144 4FSJICST/90D3000# | 1 | |
| 12 | | 53836001 | 3/4M PIPE-#12M JIC ST. | 1 | |
| 13 | | 59422001 | FITTING-90-12MJ-12FSJ | 1 | |
| 14 | | 201485001 | 12M JIC X 12M JIC BULKHEAD STR | 1 | |
| 15 | | 53845543 | HOSE-3/4X74 12FS JIC 3000 PSI | 1 | |
| 16 | | 53845483 | HOSE-3/4X140 12FS JIC 3000 PSI | 1 | |
| 17 | | 59410001 | FITTING-90-12MJ-12MORBA | 1 | |
| 18 | | 224904007 | REPAIR KIT | 1 | |

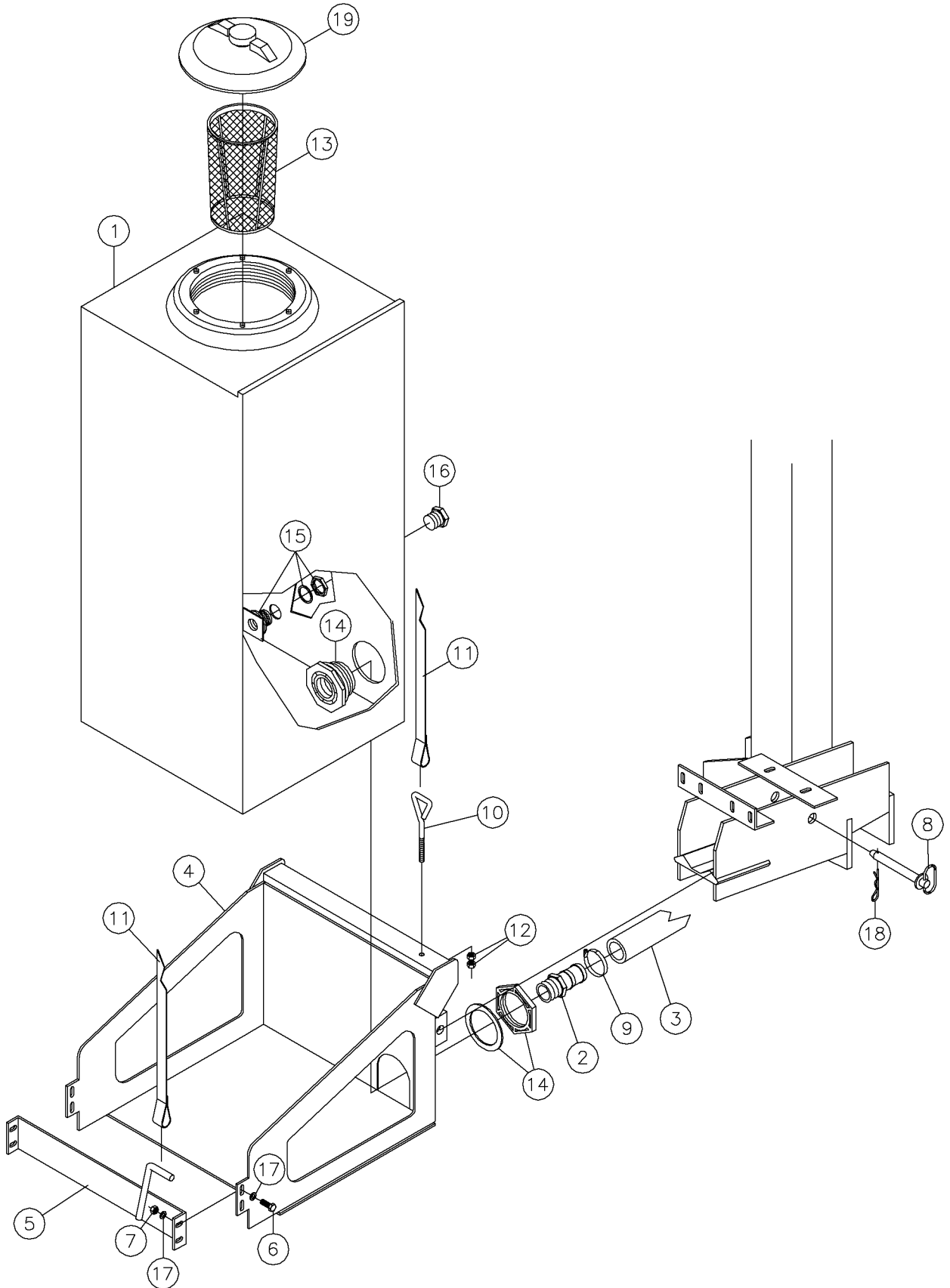
Water Lines Fig 5-2r03



Water Lines Fig 5-2r03

| REF. NO. | * | PART NO. | DESCRIPTION | QTY. | REMARKS |
|----------|---|---------------|------------------------------------|------|--------------------------------------|
| | | Revision Date | July, 2002 | | Update In Illustration & Parts List. |
| 1 | | 59410001 | 12M JIC X 12M ADJ. 90 DEG ELBOW | 1 | |
| 2 | | 53845483 | HOSE -3/4 X 140 12 FS JIC 3000 PSI | 1 | |
| 3 | | 275101001 | GAUGE-2000 PSI PRESSURE | 1 | |
| 4 | | 81665001 | FITTING-1/4F X 4M JIC 90 DEG | 1 | |
| 5 | | 53843733 | HOSE-1/4X144 4FS JIC ST/90 D 3000# | 1 | |
| 6 | * | 201485001 | 12M JIC X 12M JIC BULKHEAD STR | 1 | |
| 7 | | 235742001 | BOLT-5/16-18X3/4 GR8 ZINC PLTD | 4 | |
| 8 | | 235714001 | WASHER-5/16 SAE HARD ZINC PLTD | 4 | |
| 9 | | 251502001 | MANIFOLD-MUD PLUNGER | 1 | |
| 10 | | 732007 | 1/2" PIPE PLUG BLACK STEEL | 1 | |
| 11 | | 250612001 | O-RING - 316 | 1 | |
| 12 | | 238139001 | PISTON INSERT - MANIFOLD | 1 | |
| 13 | | 251503001 | PLUG-20 ORB MODIFIED | 1 | |
| 14 | | 83015001 | FITTING-45 JIC DIAGNOSTIC | 1 | |
| 15 | | 81343001 | 4M (BCH) X 4M JIC X 4M JIC TEE | 1 | |
| 16 | | 230813001 | SWIVEL-12M X 12F | 1 | |
| 16 | | 224904007 | REPAIR KIT | 1 | |
| 17 | | 53845543 | HOSE-3/4X74 12 FS JIC 3000 PSI | 1 | |
| 18 | | 503346010 | ELBOW-3/4 JIC X 3/4 NPT 45 M | 1 | S/N 416- |
| 19 | | 53836001 | 3/4" M PIPE #12M JIC ST | 1 | |
| 20 | * | 59422001 | 12M JICX12FS JIC 90 DEG.ELBOW | 1 | |

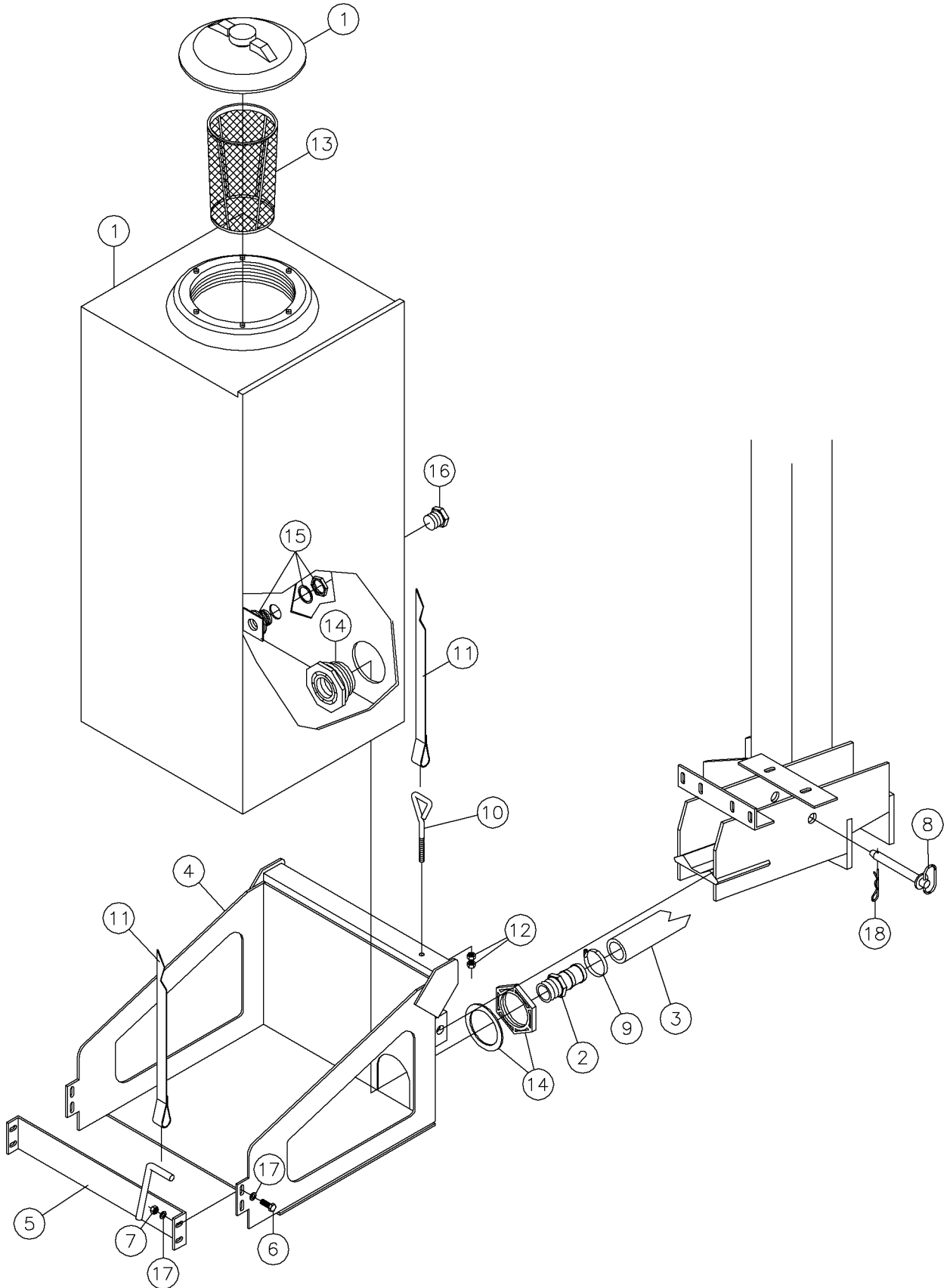
Water Tank Fig 5-3r03



Water Tank Fig 5-3r03

| REF. NO. | * | PART NO. | DESCRIPTION | QTY. | REMARKS |
|----------|---|---------------|--------------------------------|------|--------------------------------------|
| | | Revision Date | May, 2006 | | Update In Illustration & Parts List. |
| 1 | | 236315001 | TANK-55 GALLON WATER | 1 | Inc Ref No's 13-16 |
| 2 | | 236322001 | FITTING-1 1/2"MNPTX1 1/2"HBPOL | 1 | |
| 3 | | 278034001 | HOSE-1.50 300 EPDM 28" | 1 | |
| 4 | | 245247001 | MOUNT-WATER TANK | 1 | |
| 5 | | 236416001 | SUPPORT-TANK | 1 | |
| 6 | | 235727001 | BOLT-3/8-16X1 GR8 HEX ZINC PLT | 4 | |
| 7 | | 235725001 | NUT-3/8-16 GR8 ZINC PLTD | 4 | |
| 8 | | 2107007 | PIN-HITCH 3/4 X 6 | 1 | |
| 9 | | 1580007 | HOSE CLAMP - 1 1/2" | 1 | |
| 10 | | 903862001 | BOLT-WATER TANK HOLD DOWN | 1 | |
| 11 | | 287697001 | STRAP - 2 X 73.5 TANK | 1 | |
| 12 | | 412001 | NUT-3/8 NC HEX | 2 | |
| 13 | | 225854001 | STRAINER-BASKET | 1 | |
| 14 | | 215433001 | BULKHEAD FITTING-1 1/2" (POLY) | 1 | |
| 15 | | 219110005 | 1"BULKHEAD | 1 | |
| 16 | | 236441001 | PLUG-1NPT POLY HEX HEAD | 1 | |
| 17 | | 235713001 | WASHER-3/8 SAE HARD ZINC PLTD | 8 | |
| 18 | | 1794003 | HAIR PIN COTTER - .148 WIRE | 1 | |
| 19 | | 217221005 | LID-8" | 1 | Inc. Lid and Ring |

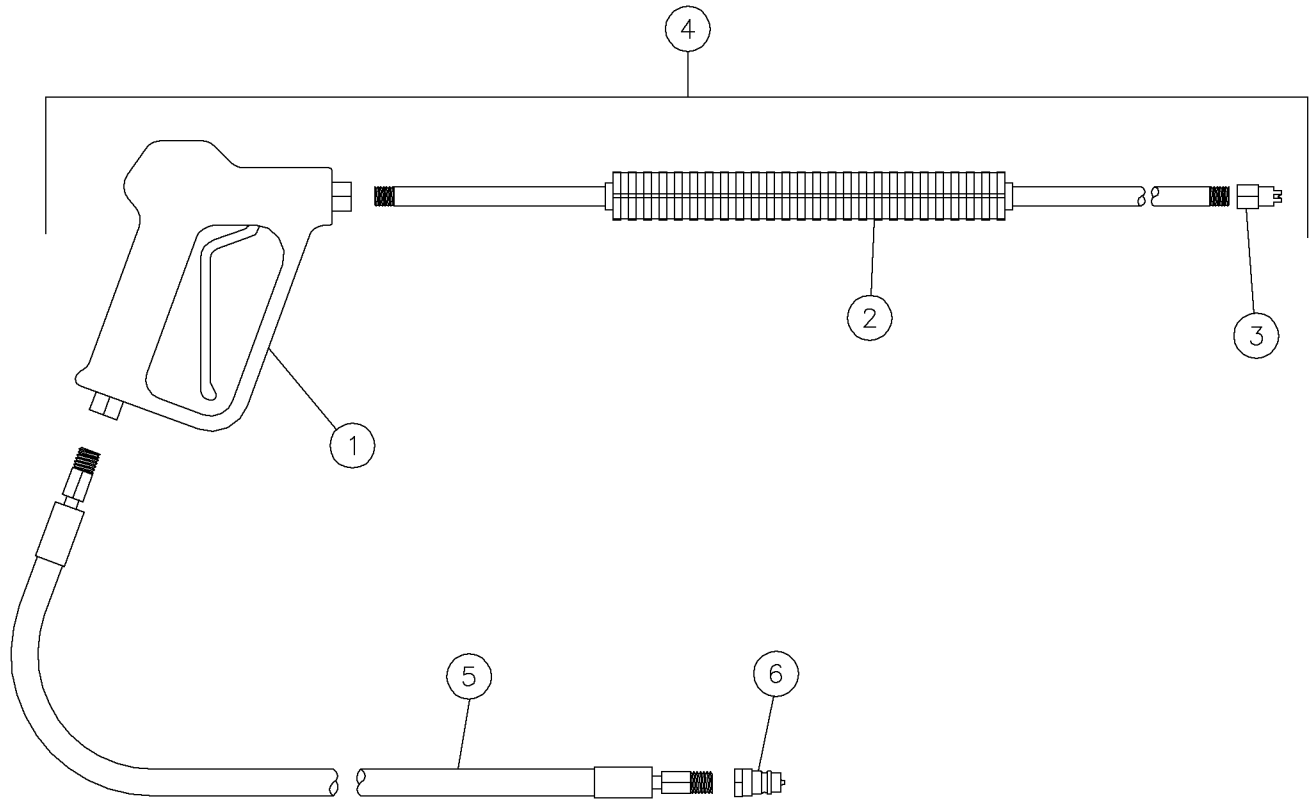
Water Tank Fig 5-3r02



Water Tank Fig 5-3r02

| REF. NO. | * | PART NO. | DESCRIPTION | QTY. | REMARKS |
|----------|---|---------------|--------------------------------|------|-----------------------|
| | | Revision Date | July, 2002 | | Update In Parts List. |
| 1 | | 236315001 | TANK-55 GALLON WATER | 1 | Inc Ref No's 13-16 |
| 2 | | 236322001 | FITTING-1 1/2"MNPTX1 1/2"HBPOL | 1 | |
| 3 | | 278034001 | HOSE-1.50 300 EPDM 28" | 1 | |
| 4 | | 245247001 | MOUNT-WATER TANK | 1 | |
| 5 | | 236416001 | SUPPORT-TANK | 1 | |
| 6 | | 235727001 | BOLT-3/8-16X1 GR8 HEX ZINC PLT | 4 | |
| 7 | | 235725001 | NUT-3/8-16 GR8 ZINC PLTD | 4 | |
| 8 | | 2107007 | PIN-HITCH 3/4 X 6 | 1 | |
| 9 | | 1580007 | HOSE CLAMP - 1 1/2" | 1 | |
| 10 | | 903862001 | BOLT-WATER TANK HOLD DOWN | 1 | |
| 11 | * | 287697001 | STRAP - 2 X 73.5 TANK | 1 | |
| 12 | | 412001 | NUT-3/8 NC HEX | 2 | |
| 13 | | 225854001 | STRAINER-BASKET | 1 | |
| 14 | | 215433001 | BULKHEAD FITTING-1 1/2" (POLY) | 1 | |
| 15 | | 219110005 | 1"BULKHEAD | 1 | |
| 16 | | 236441001 | PLUG-1NPT POLY HEX HEAD | 1 | |
| 17 | | 235713001 | WASHER-3/8 SAE HARD ZINC PLTD | 8 | |
| 18 | | 1794003 | HAIR PIN COTTER - .148 WIRE | 1 | |

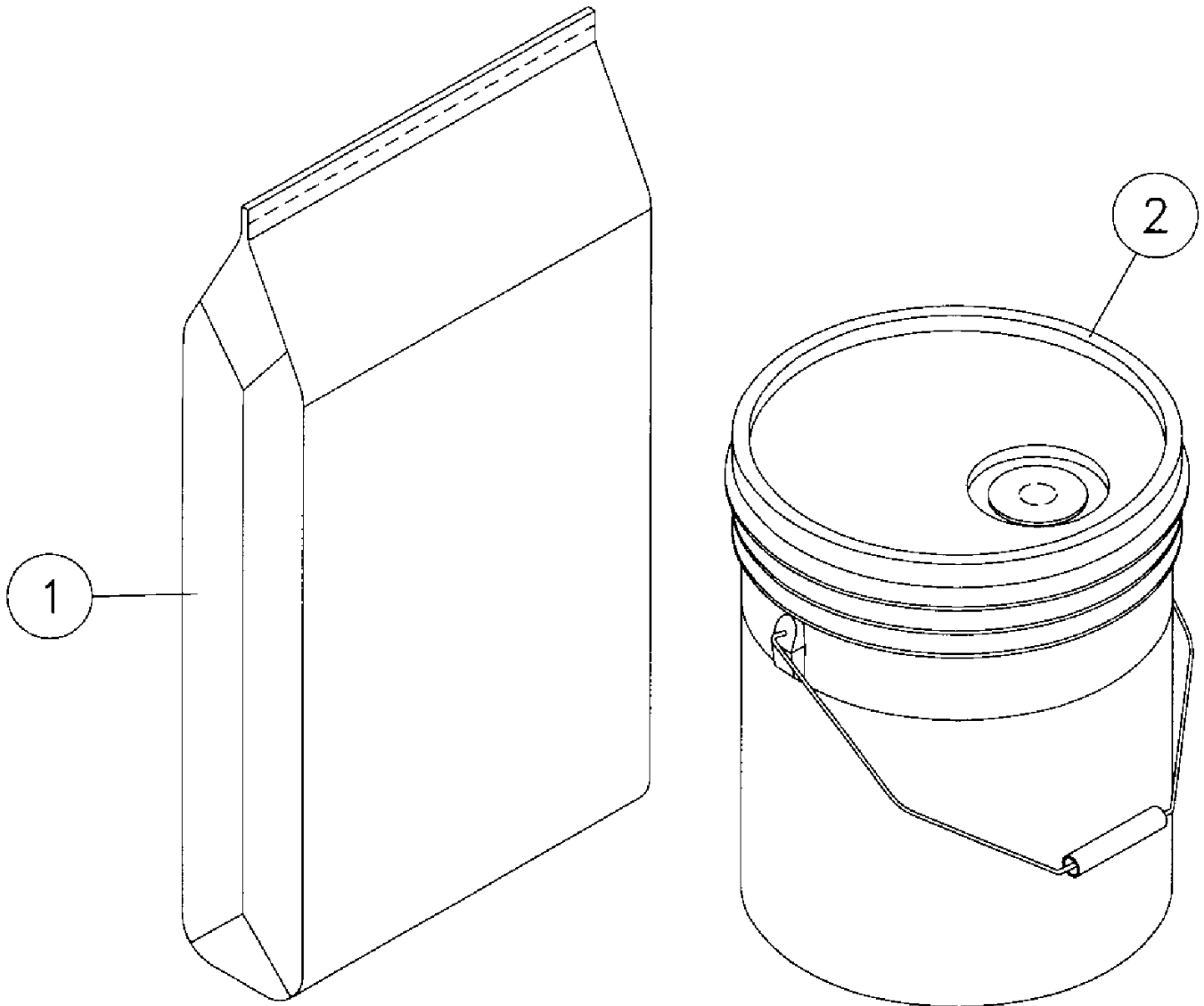
Wand Assy Fig 5-4r04



Wand Assy Fig 5-4r04

| REF. NO. | * | PART NO. | DESCRIPTION | QTY. | REMARKS |
|----------|---|---------------|---|------|--------------------------------------|
| | | Revision Date | July, 2002 | | Update In Illustration & Parts List. |
| 1 | | 904578001 | GUN HANDLE | 1 | |
| 2 | | 904577001 | MOLDED LANCE | 1 | |
| 3 | | 904576001 | SPRAY NOZZLE | 1 | |
| 4 | * | 285927001 | GUN ASSY | 1 | Inc. Ref. 1-3 |
| 5 | | 282761001 | HOSE-3/8X500 3/8M SMPT 1 1/2M NPT 100R2 | 1 | |
| 6 | | 227236001 | COUPLER-1/2" NPT QUICK (MALE) | 1 | |
| | | | | | |
| | | 240264001 | WAND ASSEMBLY | | Includes All Items In Figure |

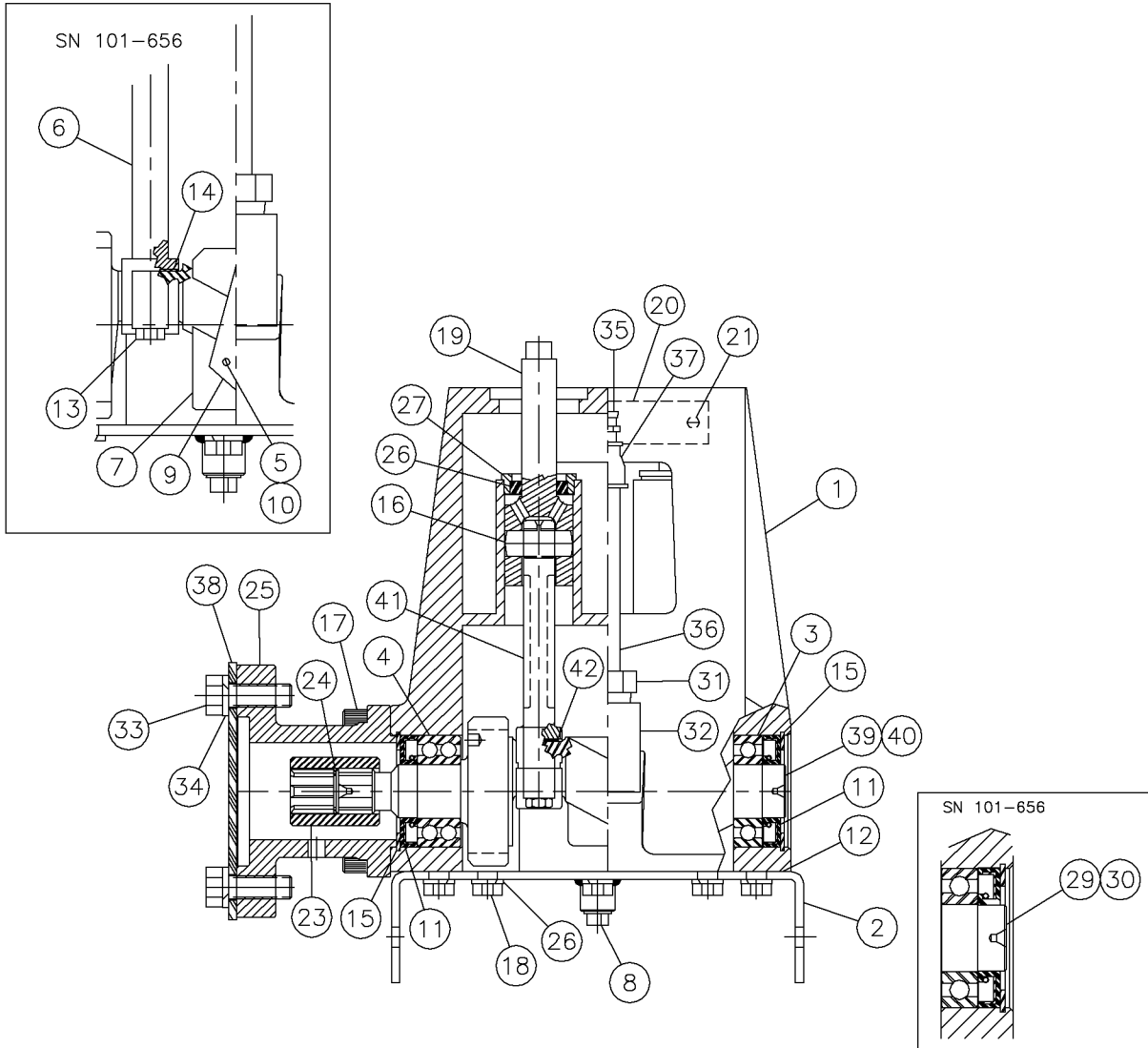
Drill Fluid Fig 5-5



Drill Fluid Fig 5-5

| REF. NO. | * | PART NO. | DESCRIPTION | QTY. | REMARKS |
|----------|---|-----------|--------------------------------|------|---------|
| 1 | | 904882001 | 50LBS BAG QUICK GELL BENTONITE | 1 | |
| | | 123596001 | BORE-GEL (50 LB BAG) | 1 | |
| 2 | | 905216001 | POLYMER | 1 | |
| | | 123595001 | EZ-MUD - 5 GALLON | 1 | |

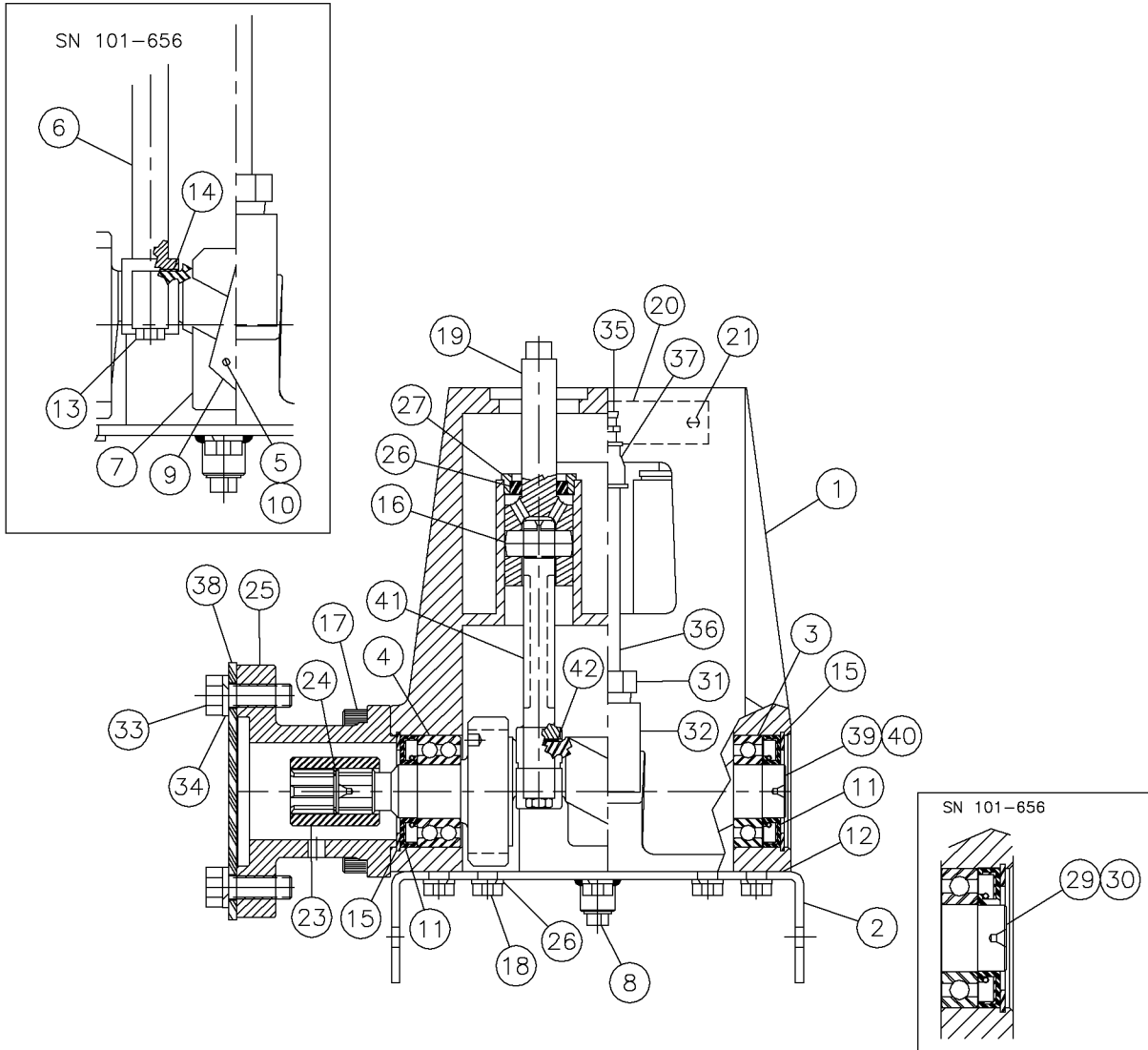
Water Pump Components - Power End Fig 5-6r05



Water Pump Components - Power End Fig 5-6r05

| REF. NO. | * | PART NO. | DESCRIPTION | QTY. | REMARKS |
|----------|---|---------------|--------------------------------|------|--------------------------------------|
| | | Revision Date | May, 2005 | | Update In Illustration & Parts List. |
| 1 | | 236318003 | POWER FRAME | 1 | |
| 2 | | 236318005 | MOUNTING BASE | 1 | |
| 3 | | 236318007 | BALL BEARING-SINGLE | 3 | |
| 4 | | 236318009 | BALL BEARING DOUBLE | 1 | |
| 5 | | 218416067 | HEX HD CAP SCREW 10-24 X 3/4 | 4 | S/N 101-656 |
| 6 | | 218416059 | ASSEMBLY-CONN.ROD | 4 | S/N 101-656 |
| 7 | | 236318001 | OIL SLINGER | 2 | S/N 101-656 |
| 8 | | 236318013 | PLUT-1/4" PIPE | 1 | |
| 9 | | 229367009 | BOLTING STRIP | 2 | S/N 101-656 |
| 10 | | 218416071 | STOP NUT | 4 | S/N 101-656 |
| 11 | | 236318015 | OIL SEAL | 4 | |
| 12 | | 236318017 | GASKET | 1 | |
| 13 | | 218416083 | HHC 1/4-20 X 1 LOCK | 8 | S/N 101-656 |
| 14 | | 229367007 | BEARING INSERT | 8 | S/N 101-656 |
| 15 | | 236318019 | RETAINER RING | 4 | |
| 16 | | 218416053 | PIN-WRIST | 4 | |
| 17 | | 236318021 | HEX SOC CAP SCREW 1/2-13 X 1 | 4 | |
| 18 | | 229367013 | CAPSCRE-HEX HD 3/8-16 X 3/4 | 12 | |
| 19 | | 218416055 | CROSSHEAD | 4 | |
| 20 | | 229367043 | NAME PLATE | 1 | |
| 21 | | 218416029 | SCREW #4 X 3/16 | 2 | |
| 22 | | 218416031 | PIPE PLUG-3/4" SQ, HD, GALV. | 1 | |
| 23 | | 236318023 | COUPLING | 1 | |
| 24 | | 236318025 | RETAINER RING | 1 | |
| 25 | | 236318027 | FLANGE | 1 | |
| 26 | | 904540035 | OIL SEAL | 2 | |
| 27 | | 229367017 | SEAL HOLDER | 2 | |
| 28 | | 904540041 | WASHER-3/8 WAVE | 12 | |
| 29 | | 236318029 | CRANKSHAFT-DRIVE | 1 | S/N 101-656 |
| 30 | | 236318031 | CRANKSHAFT-DRIVEN | 1 | S/N 101-656 |
| 31 | | 236318033 | BUSHING-3/4 X 1/4 HEX | 1 | |
| 32 | | 228460011 | 3/4 NPT 45 DEGREE ST EL | 1 | |
| 33 | | 236318035 | HEX HD CAP SCREW 1/2-13 1 1/2 | 2 | |
| 34 | | 236318037 | LOCKWASHER-1/2" | 2 | |
| 35 | | 904540031 | BREATHER | 1 | |
| 36 | | 236318039 | NIPPLE-1/4NPT X 4 1/2 | 1 | |
| 37 | | 229367025 | REDUCER-1/4NPT X 1/8NPT | 1 | |
| 38 | | 236318041 | COVER-FLANGE | 1 | |
| 39 | | 236318044 | CRANKSHAFT | 1 | S/N 657- |
| 40 | | 236318048 | DRIVEN-CRANKSHAFT | 1 | S/N 657- |
| 41 | | 236318042 | ROD-CONNECTING | 1 | S/N 657- |
| 42 | | 236318046 | BEARING INSERT | 1 | S/N 657- |
| | | | | | |
| | | 236318001 | PUMP-13.5 GPM WATER (COMPLETE) | | Includes Figures 5-6 & 5-7 |

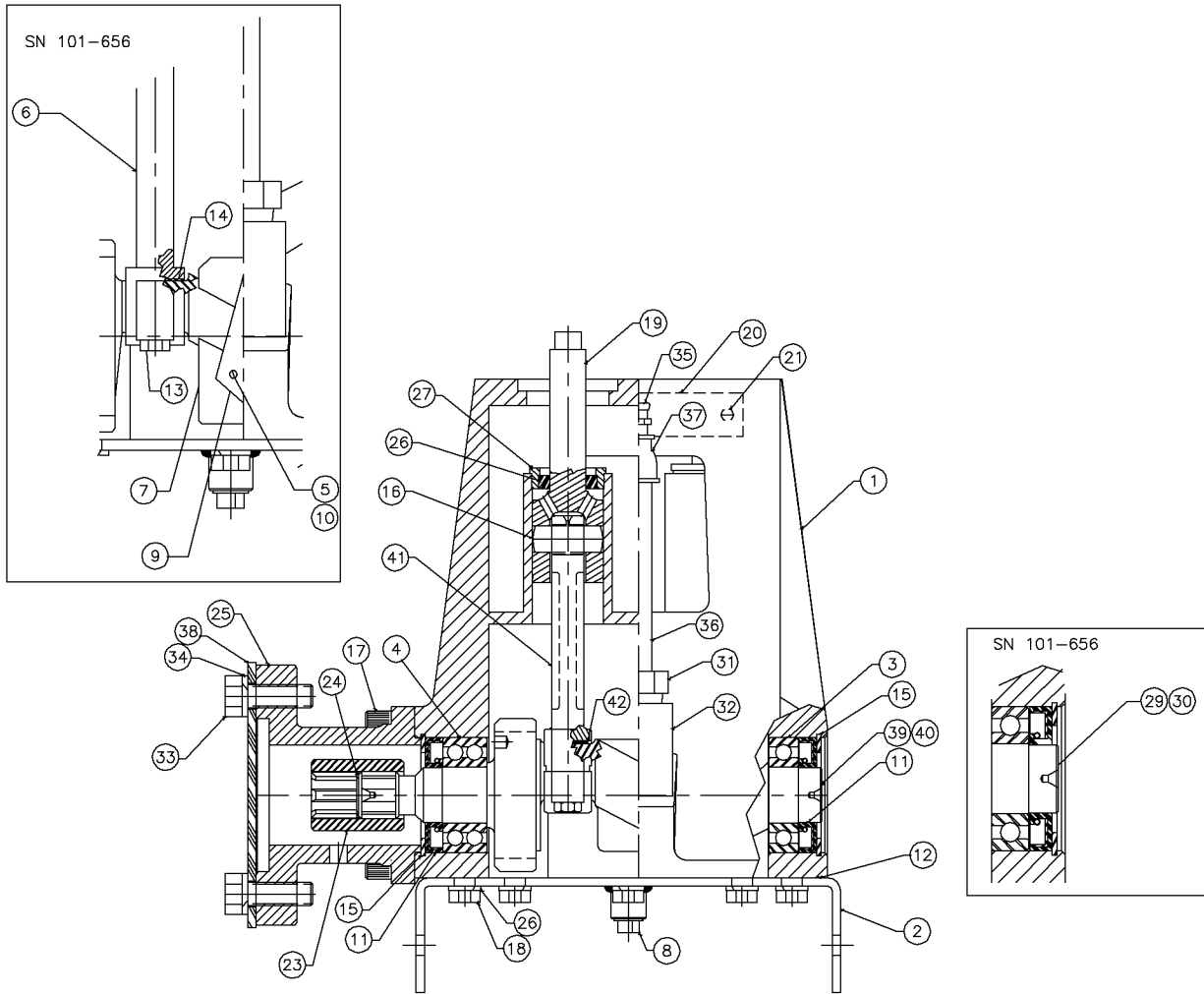
Water Pump Components - Power End Fig 5-6r04



Water Pump Components - Power End Fig 5-6r04

| REF. NO. | * | PART NO. | DESCRIPTION | QTY. | REMARKS |
|----------|---|---------------|--------------------------------|------|----------------------------------|
| | | Revision Date | September, 2004 | | Update In Heading&Illustrations. |
| 1 | | 236318003 | POWER FRAME | 1 | |
| 2 | | 236318005 | MOUNTING BASE | 1 | |
| 3 | | 236318007 | BALL BEARING-SINGLE | 3 | |
| 4 | | 236318009 | BALL BEARING DOUBLE | 1 | |
| 5 | | 218416067 | HEX HD CAP SCREW 10-24 X 3/4 | 4 | S/N 101-656 |
| 6 | | 218416059 | ASSEMBLY-CONN.ROD | 4 | S/N 101-656 |
| 7 | | 236318001 | OIL SLINGER | 2 | S/N 101-656 |
| 8 | | 236318013 | PLUT-1/4" PIPE | 1 | |
| 9 | | 229367009 | BOLTING STRIP | 2 | S/N 101-656 |
| 10 | | 218416071 | STOP NUT | 4 | S/N 101-656 |
| 11 | | 236318015 | OIL SEAL | 4 | |
| 12 | | 236318017 | GASKET | 1 | |
| 13 | | 218416083 | HHC 1/4-20 X 1 LOCK | 8 | S/N 101-656 |
| 14 | | 229367007 | BEARING INSERT | 8 | S/N 101-656 |
| 15 | | 236318019 | RETAINER RING | 4 | |
| 16 | | 218416053 | PIN-WRIST | 4 | |
| 17 | | 236318021 | HEX SOC CAP SCREW 1/2-13 X 1 | 4 | |
| 18 | | 229367013 | CAPSCRE-HEX HD 3/8-16 X 3/4 | 12 | |
| 19 | | 218416055 | CROSSHEAD | 4 | |
| 20 | | 229367043 | NAME PLATE | 1 | |
| 21 | | 218416029 | SCREW #4 X 3/16 | 2 | |
| 22 | | 218416031 | PIPE PLUG-3/4" SQ, HD, GALV. | 1 | |
| 23 | | 236318023 | COUPLING | 1 | |
| 24 | | 236318025 | RETAINER RING | 1 | |
| 25 | | 236318027 | FLANGE | 1 | |
| 26 | | 904540035 | OIL SEAL | 2 | |
| 27 | | 229367017 | SEAL HOLDER | 2 | |
| 28 | | 904540041 | WASHER-3/8 WAVE | 12 | |
| 29 | | 236318029 | CRANKSHAFT-DRIVE | 1 | S/N 101-656 |
| 30 | | 236318031 | CRANKSHAFT-DRIVEN | 1 | S/N 101-656 |
| 31 | | 236318033 | BUSHING-3/4 X 1/4 HEX | 1 | |
| 32 | | 228460011 | 3/4 NPT 45 DEGREE ST EL | 1 | |
| 33 | | 236318035 | HEX HD CAP SCREW 1/2-13 1 1/2 | 2 | |
| 34 | | 236318037 | LOCKWASHER-1/2" | 2 | |
| 35 | | 904540031 | BREATHER | 1 | |
| 36 | | 236318039 | NIPPLE-1/4NPT X 4 1/2 | 1 | |
| 37 | | 229367025 | REDUCER-1/4NPT X 1/8NPT | 1 | |
| 38 | | 236318041 | COVER-FLANGE | 1 | |
| 39 | * | 236318004 | DRIVE-CRANKSHAFT | 1 | S/N 567- |
| 40 | * | 236318048 | DRIVEN-CRANKSHAFT | 1 | S/N 567- |
| 41 | | 236318042 | ROD-CONNECTING | 1 | S/N 567- |
| 42 | * | 236318046 | BEARING INSERT | 1 | S/N 567- |
| | | | | | |
| | | 236318001 | PUMP-13.5 GPM WATER (COMPLETE) | | Includes Figures 5-6 & 5-7 |

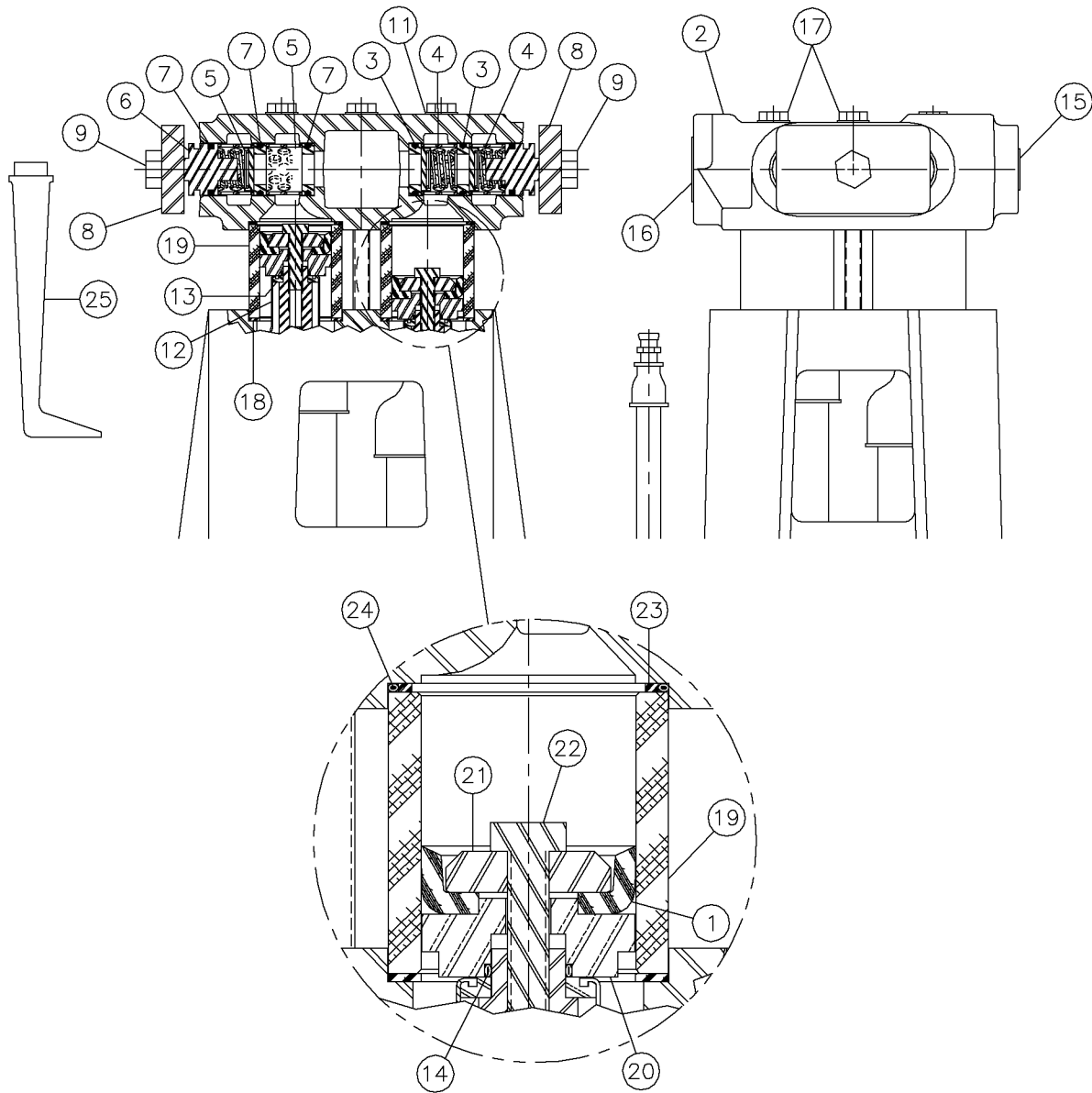
Water Pump Components - Power End Fig 5-6r03



Water Pump Components - Power End Fig 5-6r03

| REF. NO. | * | PART NO. | DESCRIPTION | QTY. | REMARKS |
|----------|---|---------------|--------------------------------|------|----------------------------|
| | | Revision Date | June, 2000 | | |
| 1 | | 236318003 | POWER FRAME | 1 | |
| 2 | | 236318005 | MOUNTING BASE | 1 | |
| 3 | | 236318007 | BALL BEARING-SINGLE | 3 | |
| 4 | | 236318009 | BALL BEARING DOUBLE | 1 | |
| 5 | | 218416067 | HEX HD CAP SCREW 10-24 X 3/4 | 4 | S/N 101-656 |
| 6 | | 218416059 | ASSEMBLY-CONN.ROD | 4 | S/N 101-656 |
| 7 | | 236318001 | OIL SLINGER | 2 | S/N 101-656 |
| 8 | | 236318013 | PLUT-1/4" PIPE | 1 | |
| 9 | | 229367009 | BOLTING STRIP | 2 | S/N 101-656 |
| 10 | | 218416071 | STOP NUT | 4 | S/N 101-656 |
| 11 | | 236318015 | OIL SEAL | 4 | |
| 12 | | 236318017 | GASKET | 1 | |
| 13 | | 218416083 | HHC 1/4-20 X 1 LOCK | 8 | S/N 101-656 |
| 14 | | 229367007 | BEARING INSERT | 8 | S/N 101-656 |
| 15 | | 236318019 | RETAINER RING | 4 | |
| 16 | | 218416053 | PIN-WRIST | 4 | |
| 17 | | 236318021 | HEX SOC CAP SCREW 1/2-13 X 1 | 4 | |
| 18 | | 229367013 | CAPSCRE-HEX HD 3/8-16 X 3/4 | 12 | |
| 19 | | 218416055 | CROSSHEAD | 4 | |
| 20 | | 229367043 | NAME PLATE | 1 | |
| 21 | | 218416029 | SCREW #4 X 3/16 | 2 | |
| 22 | | 218416031 | PIPE PLUG-3/4" SQ, HD, GALV. | 1 | |
| 23 | | 236318023 | COUPLING | 1 | |
| 24 | | 236318025 | RETAINER RING | 1 | |
| 25 | | 236318027 | FLANGE | 1 | |
| 26 | | 904540035 | OIL SEAL | 2 | |
| 27 | | 229367017 | SEAL HOLDER | 2 | |
| 28 | | 904540041 | WASHER-3/8 WAVE | 12 | |
| 29 | | 236318029 | CRANKSHAFT-DRIVE | 1 | S/N 101-656 |
| 30 | | 236318031 | CRANKSHAFT-DRIVEN | 1 | S/N 101-656 |
| 31 | | 236318033 | BUSHING-3/4 X 1/4 HEX | 1 | |
| 32 | | 228460011 | 3/4 NPT 45 DEGREE ST EL | 1 | |
| 33 | | 236318035 | HEX HD CAP SCREW 1/2-13 1 1/2 | 2 | |
| 34 | | 236318037 | LOCKWASHER-1/2" | 2 | |
| 35 | | 904540031 | BREATHER | 1 | |
| 36 | | 236318039 | NIPPLE-1/4NPT X 4 1/2 | 1 | |
| 37 | | 229367025 | REDUCER-1/4NPT X 1/8NPT | 1 | |
| 38 | | 236318041 | COVER-FLANGE | 1 | |
| 39 | * | 236318004 | DRIVE-CRANKSHAFT | 1 | S/N 567- |
| 40 | * | 236318048 | DRIVEN-CRANKSHAFT | 1 | S/N 567- |
| 41 | | 236318042 | ROD-CONNECTING | 1 | S/N 567- |
| 42 | * | 236318046 | BEARING INSERT | 1 | S/N 567- |
| | | | | | |
| | | 236318001 | PUMP-13.5 GPM WATER (COMPLETE) | | Includes Figures 5-6 & 5-7 |

Water Pump Components - Fluid End Fig 5-7r04

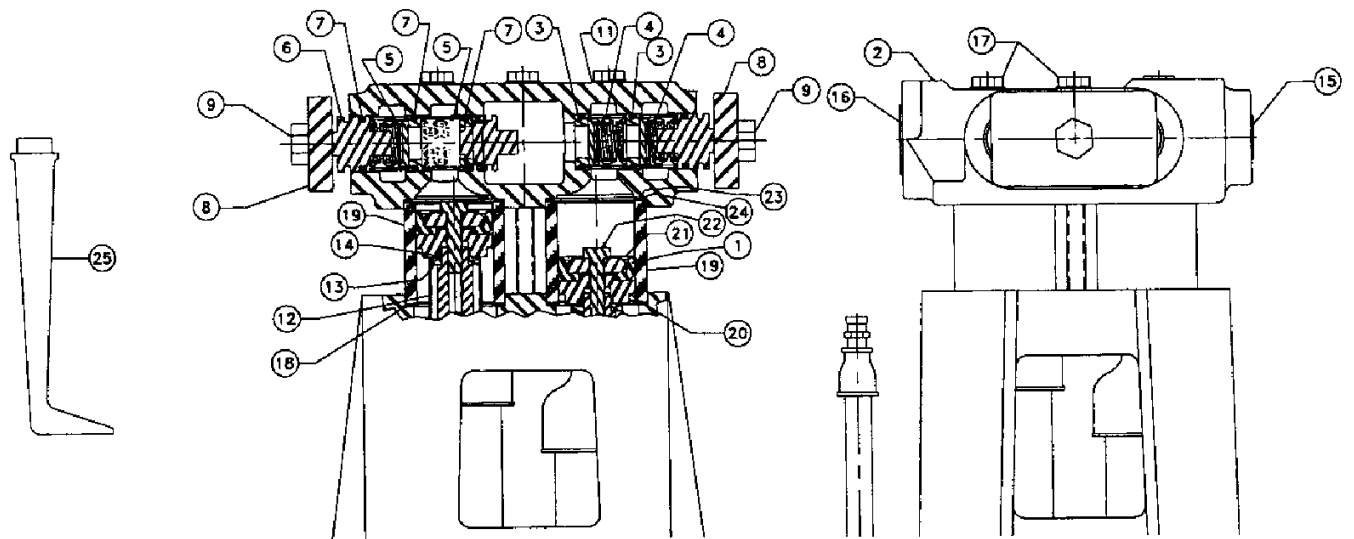


Water Pump Components - Fluid End Fig 5-7r04

| REF. NO. | * | PART NO. | DESCRIPTION | QTY. | REMARKS |
|----------|---|---------------|--------------------------------|------|---|
| | | Revision Date | September, 2004 | | Update In Heading&Illustrations. |
| 1 | | 224667007 | PACKING 1 5/8 HSN | 4 | |
| 2 | | 236318057 | CYLINDER-FLUID | 1 | |
| 3 | | 218416013 | SEAT-VALVE | 8 | |
| 4 | | 218416025 | VALVE CAGE | 8 | |
| 5 | | 229367027 | DISC AND SPRING ASSEMBLY | 8 | |
| 6 | | 218416011 | VALVE COVER | 4 | |
| 7 | | 229367029 | O-RING 1.1875 OD X .125 | 12 | |
| 8 | | 218416007 | CLAMP | 2 | |
| 9 | | 218416009 | CAPSCREW-HEX HD 1/2-13 X 1 1/2 | 2 | |
| 10 | | 236318049 | PLUG-1/4" PIPE | 1 | Not Shown |
| 11 | | 236318059 | WASHER-7/16 BELLEVILLE | 4 | |
| 12 | | 218416049 | UMBRELLA | 4 | |
| 13 | | 218416047 | WASHER-UMBRELLA | 4 | |
| 14 | | 218416043 | O-RING-11/16 OD X9/16ID-1/16 | 4 | |
| 15 | | 218416003 | CAPLUG INT 12 | 1 | |
| 16 | | 236318051 | CAPLUG INT 1.75 | 1 | |
| 17 | | 236318061 | CAPSCREW-7/16-14X5 GR8 HEX HD | 4 | |
| 18 | | 218416045 | GASKET-CYLINDER | 4 | |
| 19 | | 224667003 | CYLINDER 1 5/8 | 4 | |
| 20 | | 224667005 | PACKING HOLDER 1 5/8 | 4 | |
| 21 | | 229367039 | PACKING WASHER | 4 | |
| 22 | | 229367041 | CAPSCREW-HEX HD 5/16-18X1 1/2 | 4 | |
| 23 | | 218416035 | SEAL RING 38-5 | 4 | |
| 24 | | 218416033 | O-RING-2 1/8"OD X 1/16 | 4 | |
| 25 | * | 236318067 | TOOL-VALVE PULLER | 1 | |
| | | | | | |
| | | 236318001 | PUMP- WATER (COMPLETE) | | Include Figure's 5-6 & 5-7 |
| | | 234680019 | VALVE KIT | | Inc Two Of Ref No's 3-5 & Three of Ref No 7 |
| | | 234680021 | PACKING KIT | | Inc Two Of Ref No's 14, 18 & 22-24 |

Water Pump Components - Fluid End Fig 5-7r03

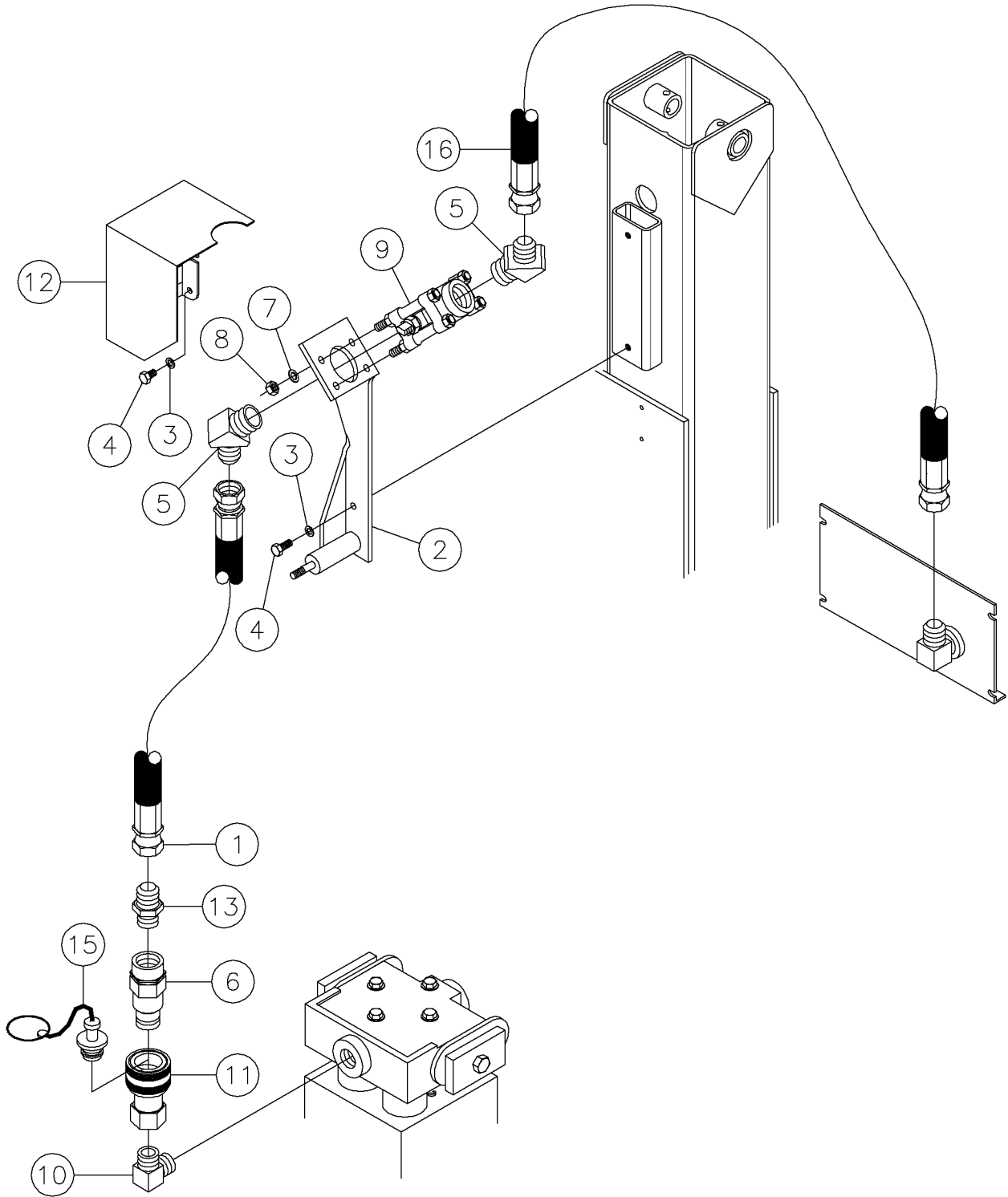
Revised August 1999 due to update
in parts list. Added part marked with *.



Water Pump Components - Fluid End Fig 5-7r03

| REF. NO. | * | PART NO. | DESCRIPTION | QTY. | REMARKS |
|----------|---|---------------|--------------------------------|------|---|
| | | Revision Date | August, 1999 | | |
| 1 | | 224667007 | PACKING 1 5/8 HSN | 4 | |
| 2 | | 236318057 | CYLINDER-FLUID | 1 | |
| 3 | | 218416013 | SEAT-VALVE | 8 | |
| 4 | | 218416025 | VALVE CAGE | 8 | |
| 5 | | 229367027 | DISC AND SPRING ASSEMBLY | 8 | |
| 6 | | 218416011 | VALVE COVER | 4 | |
| 7 | | 229367029 | O-RING 1.1875 OD X .125 | 12 | |
| 8 | | 218416007 | CLAMP | 2 | |
| 9 | | 218416009 | CAPSCREW-HEX HD 1/2-13 X 1 1/2 | 2 | |
| 10 | | 236318049 | PLUG-1/4" PIPE | 1 | Not Shown |
| 11 | | 236318059 | WASHER-7/16 BELLEVILLE | 4 | |
| 12 | | 218416049 | UMBRELLA | 4 | |
| 13 | | 218416047 | WASHER-UMBRELLA | 4 | |
| 14 | | 218416043 | O-RING-11/16 OD X9/16ID-1/16 | 4 | |
| 15 | | 218416003 | CAPLUG INT 12 | 1 | |
| 16 | | 236318051 | CAPLUG INT 1.75 | 1 | |
| 17 | | 236318061 | CAPSCREW-7/16-14X5 GR8 HEX HD | 4 | |
| 18 | | 218416045 | GASKET-CYLINDER | 4 | |
| 19 | | 224667003 | CYLINDER 1 5/8 | 4 | |
| 20 | | 224667005 | PACKING HOLDER 1 5/8 | 4 | |
| 21 | | 229367039 | PACKING WASHER | 4 | |
| 22 | | 229367041 | CAPSCREW-HEX HD 5/16-18X1 1/2 | 4 | |
| 23 | | 218416035 | SEAL RING 38-5 | 4 | |
| 24 | | 218416033 | O-RING-2 1/8"OD X 1/16 | 4 | |
| 25 | * | 236318067 | TOOL-VALVE PULLER | 1 | |
| | | | | | |
| | | 236318001 | PUMP- WATER (COMPLETE) | | Include Figure's 5-6 & 5-7 |
| | | 234680019 | VALVE KIT | | Inc Two Of Ref No's 3-5 & Three of Ref No 7 |
| | | 234680021 | PACKING KIT | | Inc Two Of Ref No's 14, 18 & 22-24 |

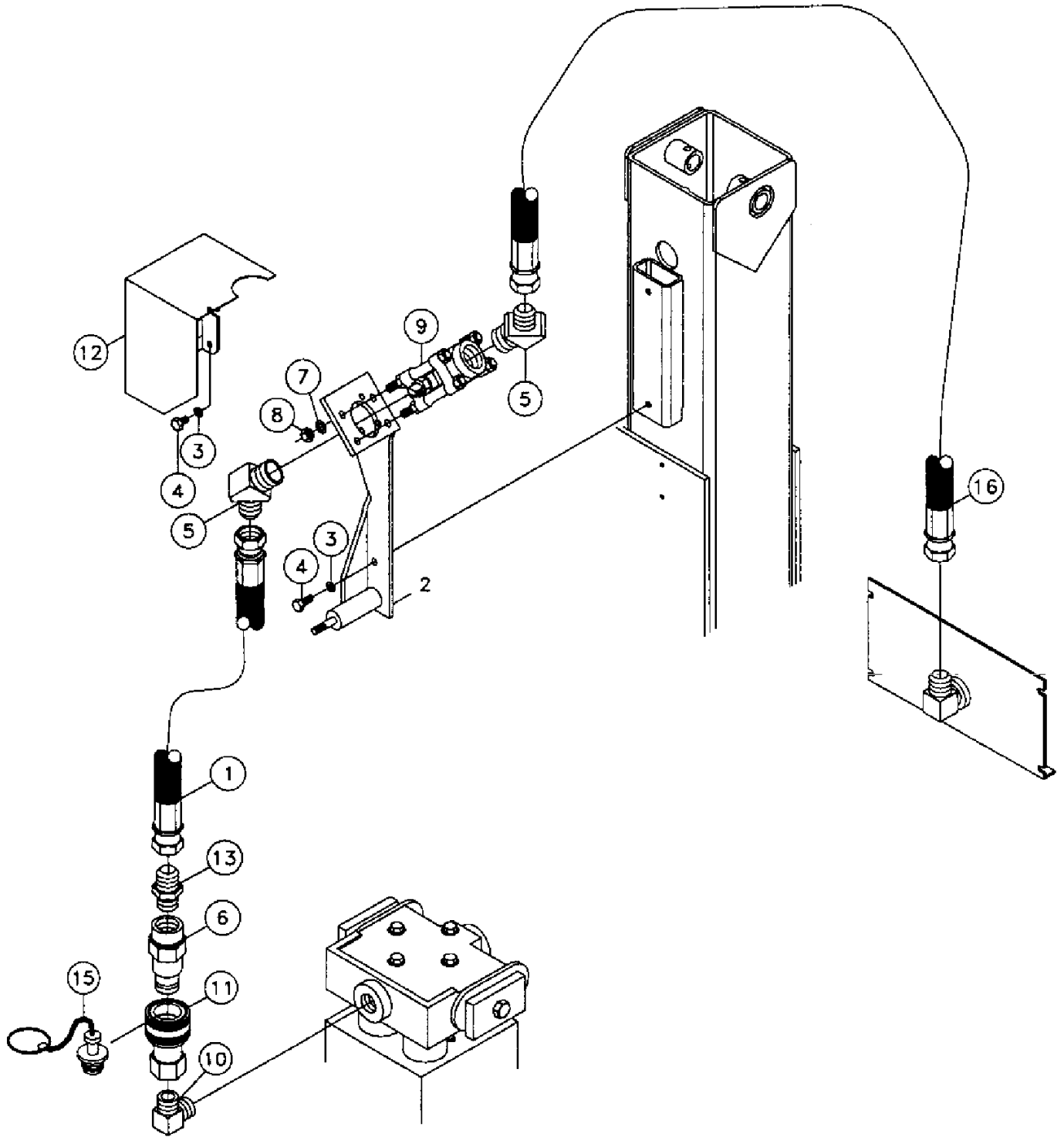
Water Shut-Off Valve Fig 5-8r04



Water Shut-Off Valve Fig 5-8r04

| REF. NO. | * | PART NO. | DESCRIPTION | QTY. | REMARKS |
|----------|---|---------------|---|------|--------------------------------------|
| | | Revision Date | September, 2004 | | Update In Illustration & Parts List. |
| 1 | | 53845509 | HOSE-3/4X44 12FS JIC 2250 PSI | 1 | |
| 2 | | 278025001 | SUPPORT-BALL VALVE | 1 | |
| 3 | | 235714001 | WASHER - FLATSTRL - .31 - .34 X .69 - .06-YZ-A325 | 4 | |
| 4 | | 235742001 | BOLT-5/16-18X3/4 GR8 ZINC PLTD | 4 | |
| 5 | | 100849001 | FITTING-IMNPTX12MJIC 45 DEG. | 2 | |
| 6 | | 221511001 | COUPLER-3/4 NPT QUICK (MALE) | 1 | |
| 7 | | 235713001 | WASHER - FLATSTRL - .38 - .41 X .81 - .06-YA-A325 | 4 | |
| 8 | | 250508001 | NUT - 3/8-NC Gr8 TOP LOCK Y/ZINC | 4 | |
| 9 | | 278003001 | VALVE - 1" 1500 PSI BRASS BALL | 1 | |
| 10 | | 123645001 | FITTING-3/4NPT M ELBOW 5500-12 | 1 | |
| 11 | | 221512001 | COUPLER-3/4 NPT QUICK (FEMALE) | 1 | |
| 12 | | 296270751 | COVER - BALL VALVE | 1 | |
| 13 | | 53836001 | 3/4M PIPE-#12M JIC ST. | 1 | |
| 14 | | 53845043 | HOSE-3/4X40 12FS JIC (100R2) | 1 | |
| 15 | | 251679001 | PLUG - COUPLER | 1 | |
| 16 | | 53845463 | HOSE-3/4X50 12FS JIC 1250 PSI | 1 | |

Water Shut-Off Valve Fig 5-8r03

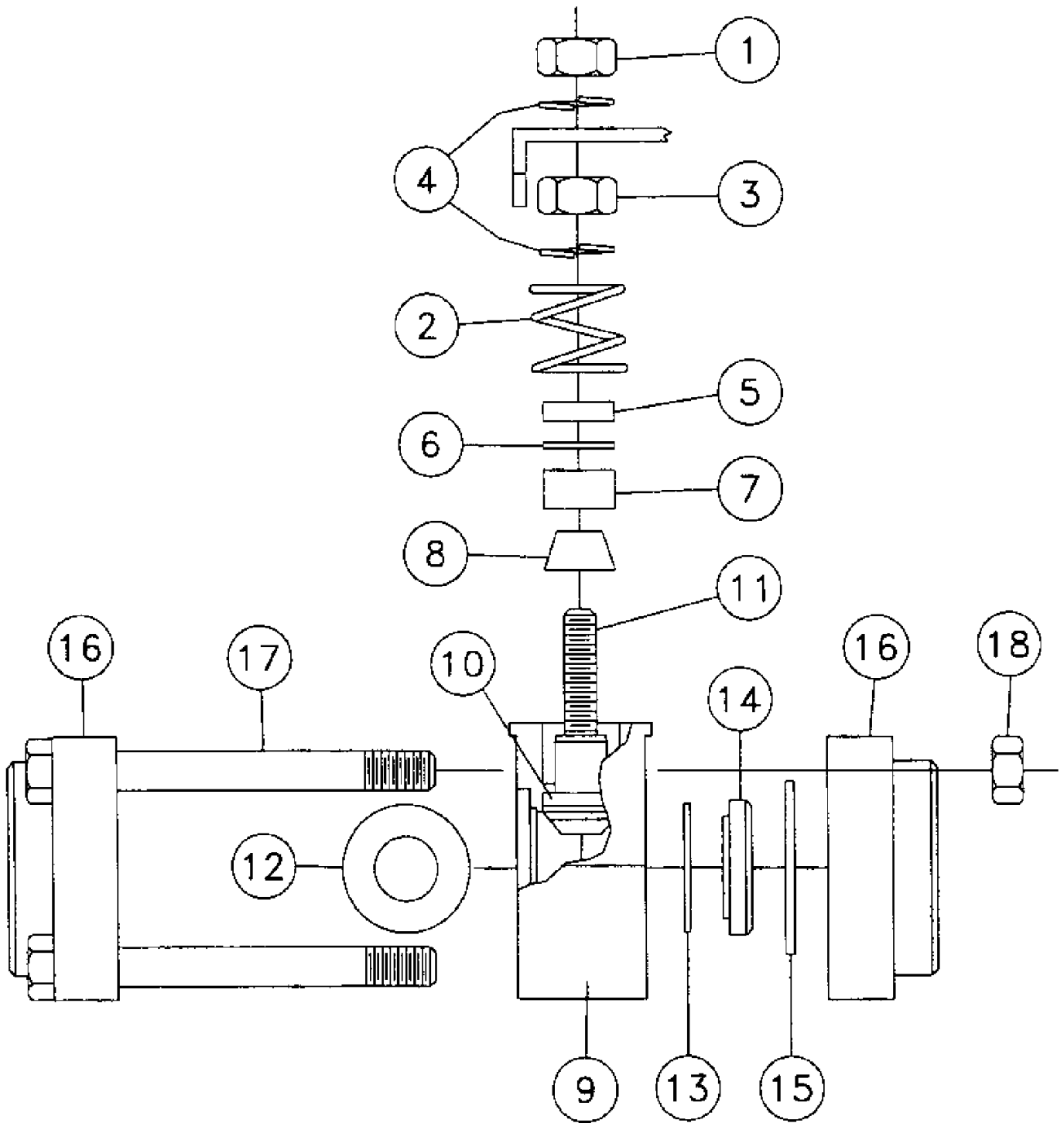


Water Shut-Off Valve Fig 5-8r03

| REF. NO. | * | PART NO. | DESCRIPTION | QTY. | REMARKS |
|----------|---|---------------|---------------------------------|------|-------------------|
| | | Revision Date | August, 1999 | | |
| 1 | | 53845509 | HOSE-3/4X44 12FS JIC 2250 PSI | 1 | |
| 2 | | 278025001 | SUPPORT-BALL VALVE | 1 | |
| 3 | | 235714001 | WASHER-5/16 SAE HARD ZINC PLTD | 4 | |
| 4 | | 235742001 | BOLT-5/16-18X3/4 GR8 ZINC PLTD | 4 | |
| 5 | | 100849001 | FITTING-IMNPTX12MJIC 45 DEG. | 2 | |
| 6 | | 221511001 | COUPLER-3/4 NPT QUICK (MALE) | 1 | |
| 7 | | 235713001 | WASHER-3/8 SAE HARD ZINC PLTD | 4 | |
| 8 | | 250508001 | NUT-3/8-NC GR8 TOP LOCK Y/ZINC | 4 | |
| 9 | | 278003001 | VALVE - 1" 1500 PSI BRASS BALL | 1 | Breakdown Fig 5-9 |
| 10 | | 123645001 | FITTING-3/4 NPT M ELBOW 5500-12 | 1 | |
| 11 | | 221512001 | COUPLER-3/4 NPT QUICK (FEMALE) | 1 | |
| 12 | | 278027001 | COVER-BALL VALVE | 1 | |
| 13 | | 53836001 | 3/4M PIPE-#12M JIC ST. | 1 | |
| 14 | | 53845043 | HOSE-3/4X40 12FS JIC (100R2) | 1 | |
| 15 | | 251679001 | PLUG-COUPLER | 1 | |
| 16 | * | 53845463 | HOSE-3/4X50 12FS JIC 1250 PSI | 1 | S/N 353- |

Water Shut-Off Valve Components Fig 5-9

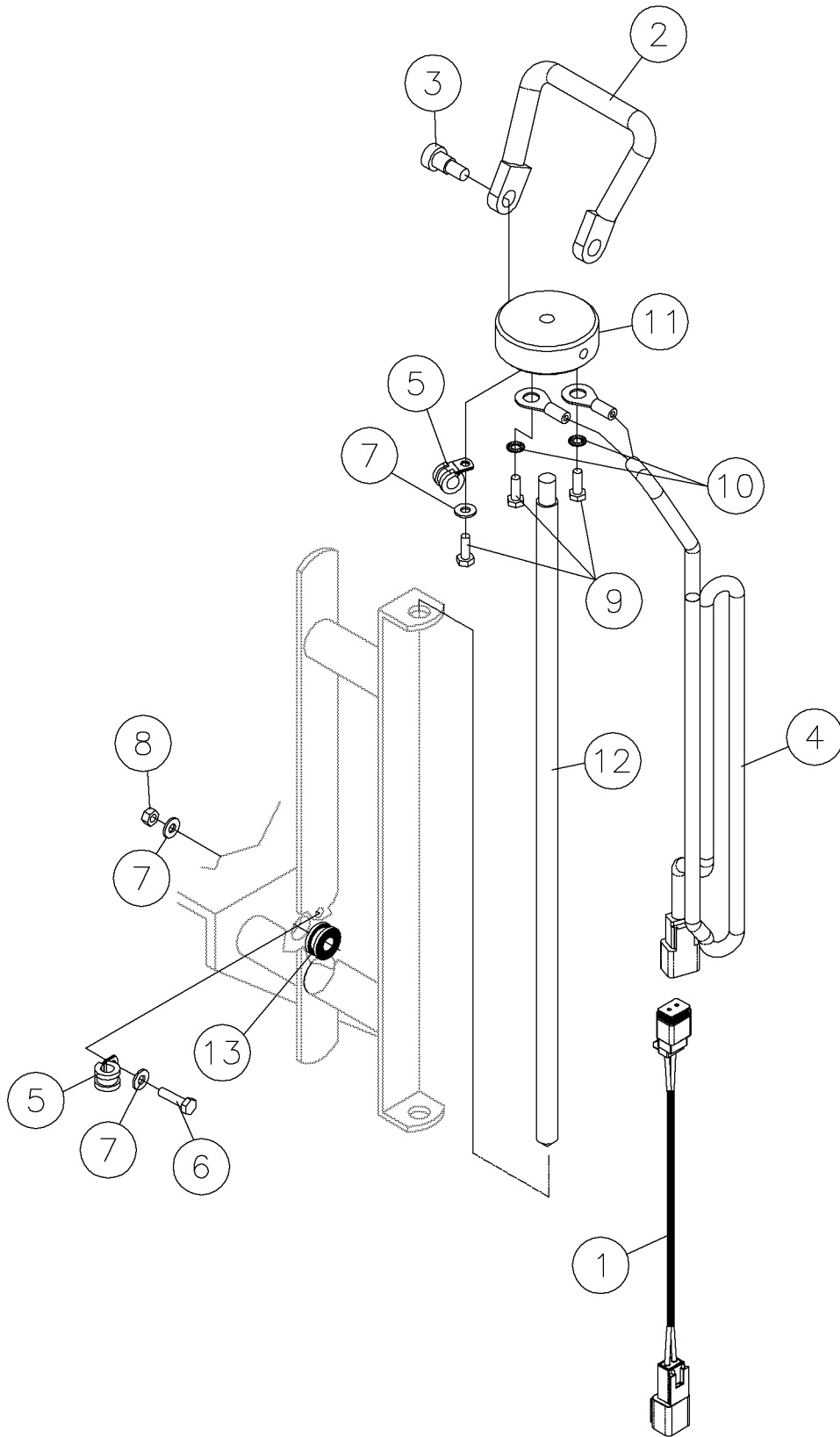
Revised February 1999 due to addition of figure to manual.



Water Shut-Off Valve Components Fig 5-9

| REF. NO. | * | PART NO. | DESCRIPTION | QTY. | REMARKS |
|----------|---|---------------|--------------------------------|------|------------------------------|
| | | Revision Date | February, 1999 | | Addition To Manual |
| 1 | | 245079003 | STEM NUT | 1 | |
| 2 | | 245079005 | GROUNDING SPRING | 1 | |
| 3 | | 278003002 | NUT-STEM | 1 | |
| 4 | | 245079009 | STEM SPRING | 2 | |
| 5 | | 278003003 | GLAND | 1 | |
| 6 | | 245079013 | PACKING SUPPORT | 1 | |
| 7 | | 245079015 | TOP PACKING | 1 | |
| 8 | | 245079017 | BOTTOM PACKING | 1 | |
| 9 | | 278003004 | BODY CENTER | 1 | |
| 10 | | 278003005 | BEARING - STEM | 2 | |
| 11 | | 245079023 | STEM | 1 | |
| 12 | | 245079025 | BALL | 1 | |
| 13 | | 245079027 | SUPPORT RING | 2 | |
| 14 | | 245079029 | SEAT/SEAT SPRING | 2 | |
| 15 | | 245079031 | O-RING | 2 | |
| 16 | | 278003006 | FLANGE | 2 | |
| 17 | | 245079035 | BODY STUD | 4 | |
| 18 | | 245079037 | BODY NUT | 8 | |
| | | | | | |
| | | 245079039 | KIT-MAINTENANCE | | Inc Ref No's 4-6, 10 & 15 |
| | | 278003001 | VALVE - 1" 1500 PSI BRASS BALL | | Includes All Items In Figure |

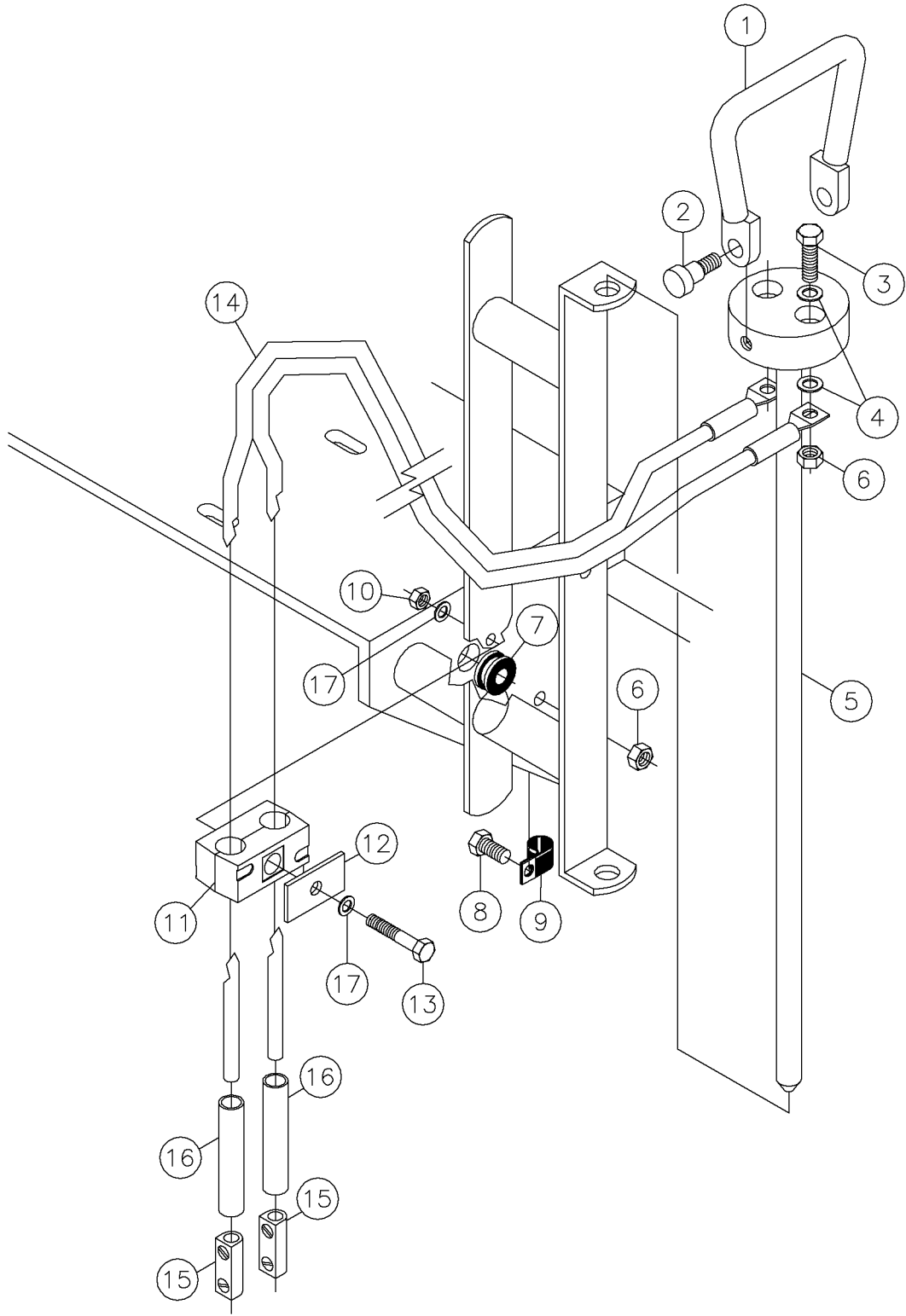
Votage Stake Assy Fig 6-1r02



Voltage Stake Assy Fig 6-1r02

| REF. NO. | * | PART NO. | DESCRIPTION | QTY. | REMARKS |
|----------|---|---------------|-----------------------------------|------|--------------------------------------|
| | | Revision Date | May, 2005 | | Update In Illustration & Parts List. |
| 1 | | 296275120 | HARNESS-ADAPTOR VOLTAGE STAKE | 1 | |
| 2 | | 234164001 | HANDLE-VOLTAGE STAKE | 1 | |
| 3 | | 240056001 | SCREW-SHSS-.50X.50-.38-16THD-CZ | 2 | |
| 4 | | 296275117 | HARNESS-VOLTAGE STAKE | 1 | |
| 5 | | 296275118 | CLAMP - #8 | 2 | |
| 6 | | 235735001 | BOLT-1/4-20X1 GR8 HEX ZNC PLTD | 1 | |
| 7 | | 510337603 | WASHER-FLATSTD-.25-.31X.75-.07-YZ | 3 | |
| 8 | | 235732001 | NUT - HEX - .25 - 20 - GR8 - YZ | 1 | |
| 9 | | 235734001 | BOLT-1/4-20X3/4 GR8 ZINC PLTD | 3 | |
| 10 | | 481013 | WASHER-1/4 EST. STAR | 2 | |
| 11 | | 296275107 | HEAD - VOLTAGE STAKE | 1 | |
| 12 | | 904155001 | VOLTAGE STAKE | 1 | |
| 13 | | 1865045 | GROMMET-.5"IDX1"OD .38 GROOVE | 1 | |

Votage Stake Assy Fig 6-1r01

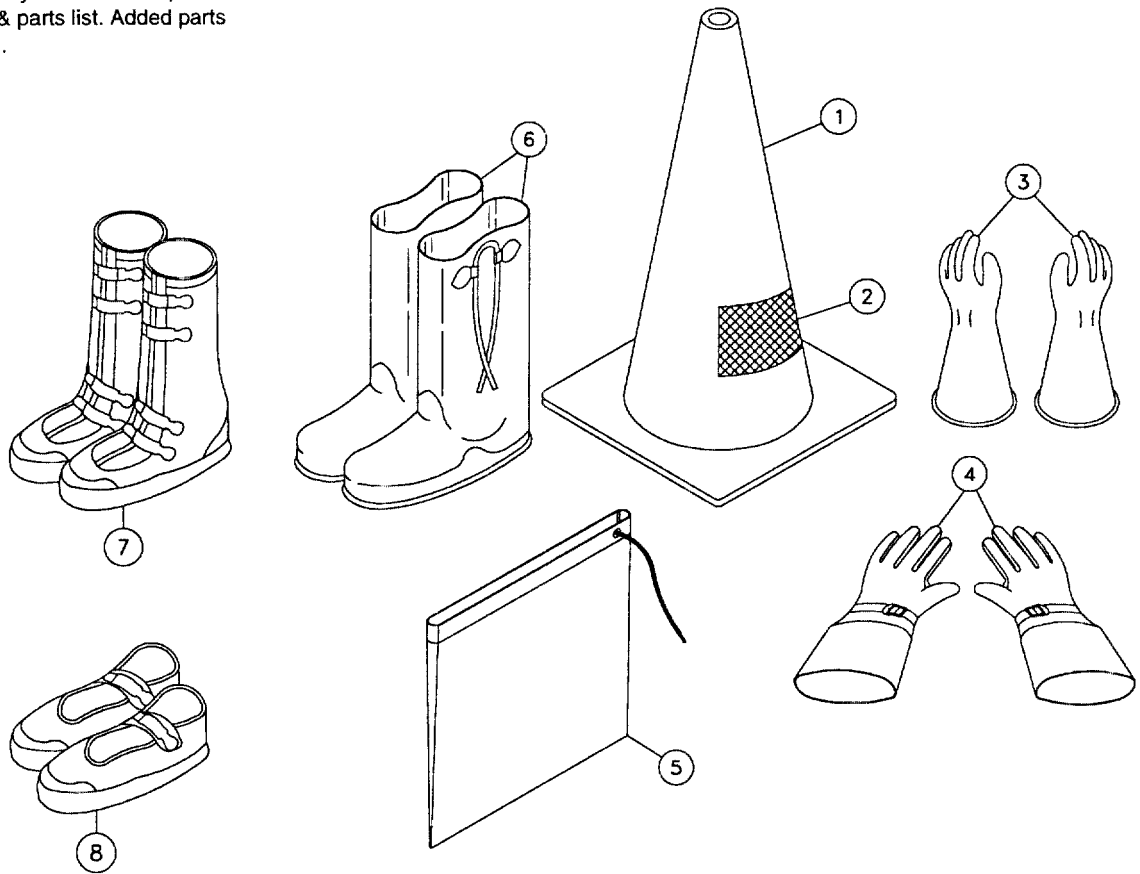


Votage Stake Assy Fig 6-1r01

| REF. NO. | * | PART NO. | DESCRIPTION | QTY. | REMARKS |
|----------|---|---------------|----------------------------------|------|-----------------------|
| | | Revision Date | October, 2000 | | |
| 1 | | 234164001 | HANDLE-VOLTAGE STAKE | 1 | |
| 2 | | 240056001 | SCREW-1/2-13X1/2 NCSOC HD ZNC | 2 | |
| 3 | | 235736001 | BOLT-3/8-16X1 1/4 ZINC PLTD | 2 | |
| 4 | | 235713001 | WASHER-3/8 SAE HARD ZINC PLTD | 4 | |
| 5 | | 234167001 | STAKE-VOLTAGE | 1 | |
| 6 | | 235725001 | NUT-3/8-16 GR8 ZINC PLTD | 3 | |
| 7 | | 1865045 | GROMMET-.5"IDX1"OD .38 GROOVE | 1 | |
| 8 | | 235726001 | BOLT-3/8-16X3/4 GR8 HEX ZNCPLT | 1 | |
| 9 | | 2595001 | HOSE CLAMP - TS7FR 1/2" | 1 | |
| 9 | | 2595001 | HOSE CLAMP - TS7FR 1/2" | 1 | |
| 10 | | 240333001 | NUT-5/16-18 GR8 TL ZINC PLTD | 1 | |
| 11 | * | 67846005 | CLAMP-TWIN (PAIR) 3/8 HYD. HOSE | 1 | |
| 12 | | 67846003 | PLATE-TWIN COVER | 1 | |
| 13 | * | 238211001 | BOLT-5/16-18X2 GR8 TL ZINC YC | 1 | |
| 14 | | 217967001 | CORD ASSY - VOLTAGE STAKE | 1 | |
| 15 | | 904355001 | CONNECTOR | 2 | |
| 16 | | 208065001 | SHRINK TUBE-3/4ID COMMERCIAL GRD | 2 | P/N Qty Of 1 = 1 Foot |
| 17 | | 235714001 | WASHER-5/16 SAE HARD ZINC PLTD | 2 | |

Safety Features - Gloves Boots Cones Fig 6-2r01

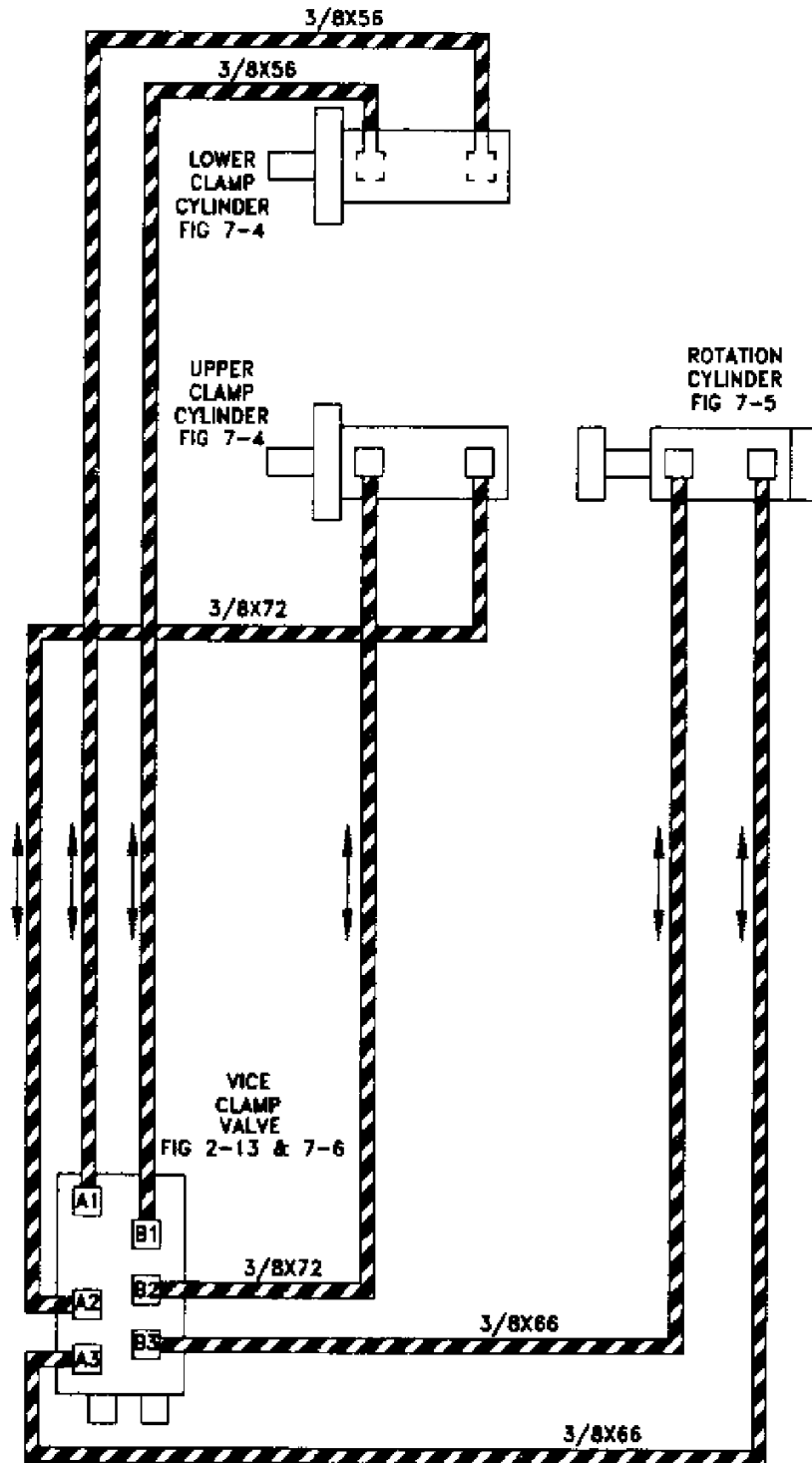
Revised January 2000 due to update in illustration & parts list. Added parts marked with *.





Safety Features - Gloves Boots Cones Fig 6-2r01

| REF. NO. | * | PART NO. | DESCRIPTION | QTY. | REMARKS |
|----------|---|---------------|--------------------------------|------|---|
| | | Revision Date | January, 2000 | | |
| 1 | | 904541001 | CONES-ORANGE PVC | 4 | |
| 2 | | 70000530 | DECAL-DANGER | 4 | |
| | | 70001530 | DECAL-DANGER | 4 | International |
| 3 | | 210782001 | GLOVES-SIZE 9 RUBBER INSULATE | 1 | P/N Qty Of 1 = 1 Pair |
| | | 210782005 | GLOVES-SIZE 9 1/2 RUBBER INSUL | 1 | P/N Qty Of 1 = 1 Pair |
| | | 210782003 | GLOVES-SIZE 10 RUBBER INSULATE | 1 | P/N Qty Of 1 = 1 Pair |
| | | 210782007 | GLOVE-SIZE 11 RUBBER INSULATED | 1 | P/N Qty Of 1 = 1 Pair |
| | | 210782009 | GLOVE-SIZE 12 RUBBER INSULATED | 1 | P/N Qty Of 1 = 1 Pair |
| 4 | | 210783001 | GLOVES-SIZE 9 LEATHER PROTECT | 1 | P/N Qty Of 1 = 1 Pair |
| | | 21078005 | GLOVES SIZE 9 1/2 LEATHER PROT | 1 | P/N Qty Of 1 = 1 Pair |
| | | 210783003 | GLOVES-SIZE 10 LEATHER PROTECT | 1 | P/N Qty Of 1 = 1 Pair |
| | | 210783007 | GLOVE-SIZE 11 LEATHER PROTECT | 1 | P/N Qty Of 1 = 1 Pair |
| | | 210783009 | GLOVE-SIZE 12 LEATHER PROTECT | 1 | P/N Qty Of 1 = 1 Pair |
| | | 210781001 | GLOVE KIT-SIZE 9 | 1 | Incudes 1 Pair Of Rubber Gloves, 1 Pair Of Leather Gloves & 1 Glove Bag Ref 5 |
| | | 224979001 | GLOVE KIT-SIZE 9 1/2 | 1 | Incudes 1 Pair Of Rubber Gloves, 1 Pair Of Leather Gloves & 1 Glove Bag Ref 5 |
| | | 210785001 | GLOVE KIT-SIZE 10 | 1 | Incudes 1 Pair Of Rubber Gloves, 1 Pair Of Leather Gloves & 1 Glove Bag Ref 5 |
| | | 224990001 | GLOVE KIT-SIZE 11 | 1 | Incudes 1 Pair Of Rubber Gloves, 1 Pair Of Leather Gloves & 1 Glove Bag Ref 5 |
| | | 224991001 | GLOVE KIT-SIZE 12 | 1 | Incudes 1 Pair Of Rubber Gloves, 1 Pair Of Leather Gloves & 1 Glove Bag Ref 5 |
| 5 | | 210784001 | BAG-GLOVE | 1 | |
| 6 | | 210780009 | BOOTS-SIZE 9 OVER-THE-SHOE | 1 | P/N Qty Of 1 = 1 Pair |
| | | 210780001 | BOOTS-SIZE 10 OVER-THE-SHOE | 1 | P/N Qty Of 1 = 1 Pair |
| | | 210780003 | BOOTS-SIZE 11 OVER-THE-SHOE | 1 | P/N Qty Of 1 = 1 Pair |
| | | 210780005 | BOOTS-SIZE 12 OVER-THE-SHOE | 1 | P/N Qty Of 1 = 1 Pair |
| | | 210780007 | BOOTS-SIZE 13 OVER-THE-SHOE | 1 | P/N Qty Of 1 = 1 Pair |
| | | 210780011 | BOOTS-SIZE 14 OVER-THE-SHOE | 1 | P/N Qty Of 1 = 1 Pair |
| | | 210780013 | BOOTS-SIZE 15 OVER-THE-SHOE | 1 | P/N Qty Of 1 = 1 Pair |
| 7 | * | 279118001 | BOOT-4 BUCKLE SIZE 9 | 1 | P/N Qty Of 1 = 1 Pair |
| | * | 279118002 | BOOT-4 BUCKLE SIZE 10 | 1 | P/N Qty Of 1 = 1 Pair |
| | * | 279118003 | BOOT-4 BUCKLE SIZE 11 | 1 | P/N Qty Of 1 = 1 Pair |
| | * | 279118004 | BOOT-4 BUCKLE SIZE 12 | 1 | P/N Qty Of 1 = 1 Pair |
| | * | 279118005 | BOOT-4 BUCKLE SIZE 13 | 1 | P/N Qty Of 1 = 1 Pair |
| | * | 279118006 | BOOT-4 BUCKLE SIZE 14 | 1 | P/N Qty Of 1 = 1 Pair |
| | * | 279118007 | BOOT-4 BUCKLE SIZE 15 | 1 | P/N Qty Of 1 = 1 Pair |
| | * | 279118008 | BOOT-4 BUCKLE SIZE 16 | 1 | P/N Qty Of 1 = 1 Pair |
| 8 | | 279119001 | BOOT-ANKLE RUBBER SIZE 9 | 1 | P/N Qty Of 1 = 1 Pair |
| | * | 279119002 | BOOT-ANKLE RUBBER SIZE 10 | 1 | P/N Qty Of 1 = 1 Pair |
| | * | 279119003 | BOOT-ANKLE RUBBER SIZE 11 | 1 | P/N Qty Of 1 = 1 Pair |
| | * | 279119004 | BOOT-ANKLE RUBBER SIZE 12 | 1 | P/N Qty Of 1 = 1 Pair |
| | * | 279119005 | BOOT-ANKLE RUBBER SIZE 13 | 1 | P/N Qty Of 1 = 1 Pair |
| | * | 279119006 | BOOT-ANKLE RUBBER SIZE 14 | 1 | P/N Qty Of 1 = 1 Pair |
| | * | 279119007 | BOOT-ANKLE RUBBER SIZE 15 | 1 | P/N Qty Of 1 = 1 Pair |
| | * | 279119008 | BOOT-ANKLE RUBBER SIZE 16 | 1 | |

Hydraulic Flow Diagram - Clamp Fig 7-1



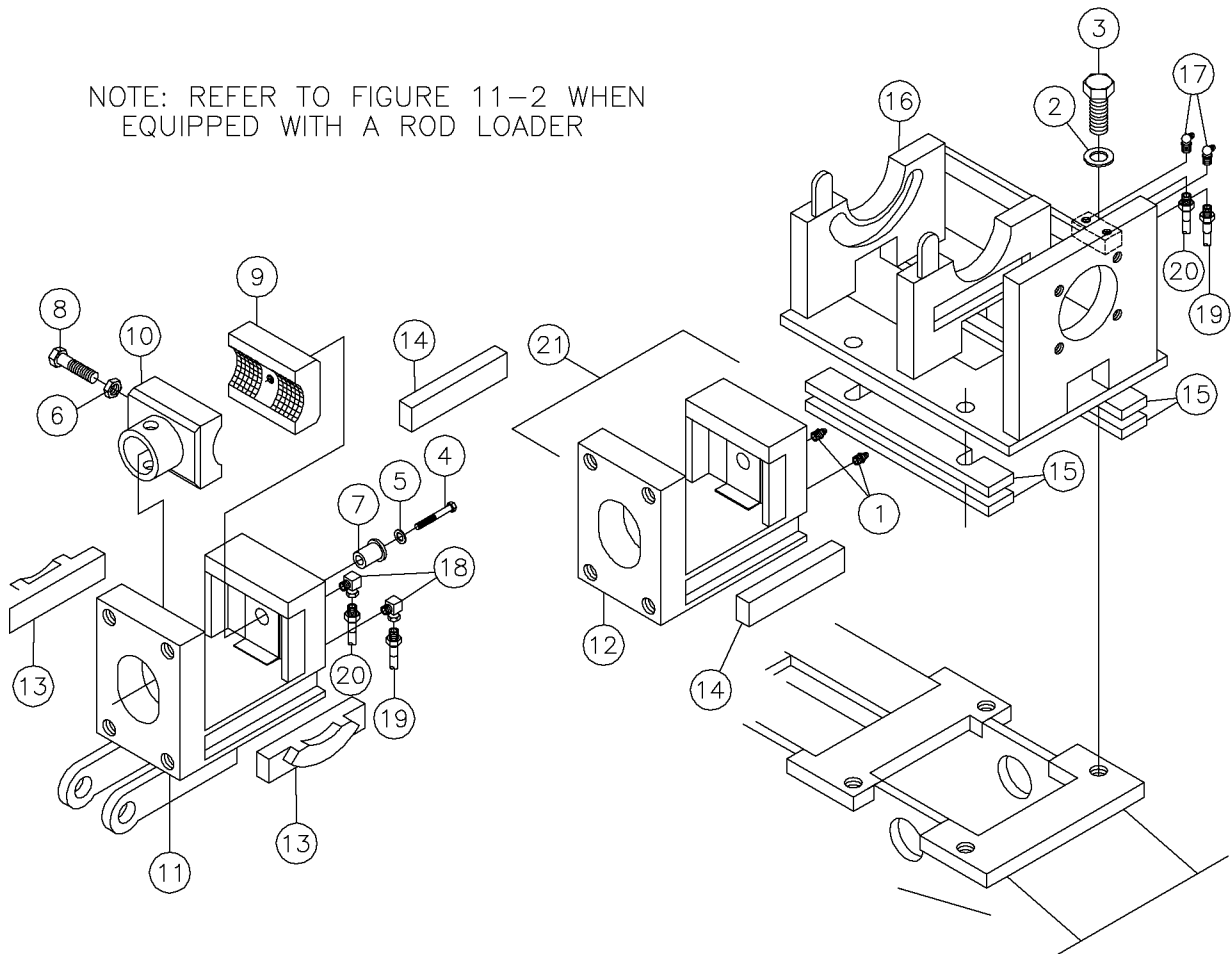
 PRESSURE/RETURN LINE
 DIRECTION OF OIL FLOW

Hydraulic Flow Diagram - Clamp Fig 7-1

| REF. NO. | * | PART NO. | DESCRIPTION | QTY. | REMARKS |
|----------|---|----------|-------------|------|---------|
| | | | | | |

Clamp Fig 7-2r04

NOTE: REFER TO FIGURE 11-2 WHEN
EQUIPPED WITH A ROD LOADER



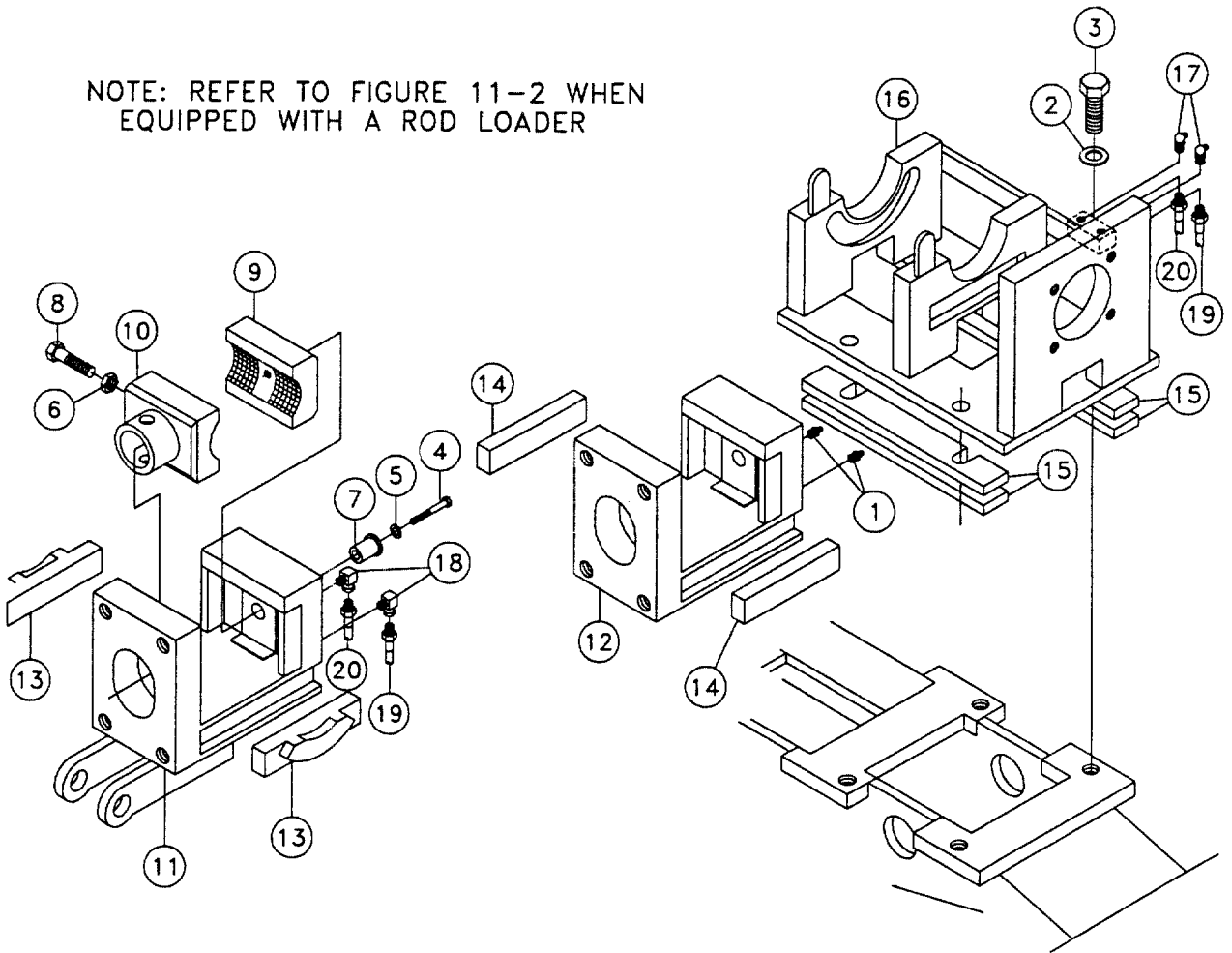
Clamp Fig 7-2r04

| REF. NO. | * | PART NO. | DESCRIPTION | QTY. | REMARKS |
|----------|---|---------------|--------------------------------|------|---------------------------------------|
| | | Revision Date | May, 2006 | | Update In Illustration & Parts List. |
| 1 | | 586001 | ZERK-1/8" ST NPT GREASE | 2 | |
| 2 | | 235717001 | WASHER-3/4 SAE HARD ZINC PLTD | 4 | |
| 3 | | 235746001 | BOLT-3/4-10X2 GR8 HEX ZNC PLTD | 4 | |
| 4 | | 235720001 | BOLT-3/8-16X1 3/4 6R8 ZINC PLT | 2 | |
| 5 | | 235713001 | WASHER-3/8 SAE HARD ZINC PLTD | 2 | |
| 6 | | 235722001 | NUT-1/2-13 GR8 JAM ZINC PLTD | 2 | |
| 7 | | 228064001 | INSERT-FASTENER | 2 | |
| 8 | | 235718001 | BOLT-1/2-13X2 GR8 HEX ZINC PLT | 2 | |
| 9 | | 236111001 | JAW-1.90 STEM | 2 | |
| 10 | | 236112001 | JAW-1.90 STEM | 2 | |
| 11 | | 241522001 | BAR-CLAMP | 1 | |
| 12 | | 235414001 | BAR-CLAMP | 1 | |
| 13 | | 232449001 | PIVOT-SLIDE | 2 | |
| 14 | | 232456001 | BAR SLIDE | 2 | |
| 15 | | 236110001 | PLATE-CLAMP SHIM | 2 | |
| 16 | | 232450001 | FRAME-CLAMP | 1 | |
| 17 | | 590001 | ZERK-1/8" NPT 90 DEG GREASE | 2 | |
| 18 | | 59246001 | FITTING-1/8MX1/8FS 90 DEG | 2 | |
| 19 | | 59245015 | HOSE-1/8X16 1/8NPT M&M 100R7 | 1 | |
| 20 | | 59245027 | HOSE-1/8X9 M&M 3000 PSI | 1 | |
| 21 | | 278014001 | BAR-CLAMP | 1 | Inc. Two Of Ref. 1 and One Of Ref. 12 |

Clamp Fig 7-2r03

Revised January 2000 due to update in illustration.

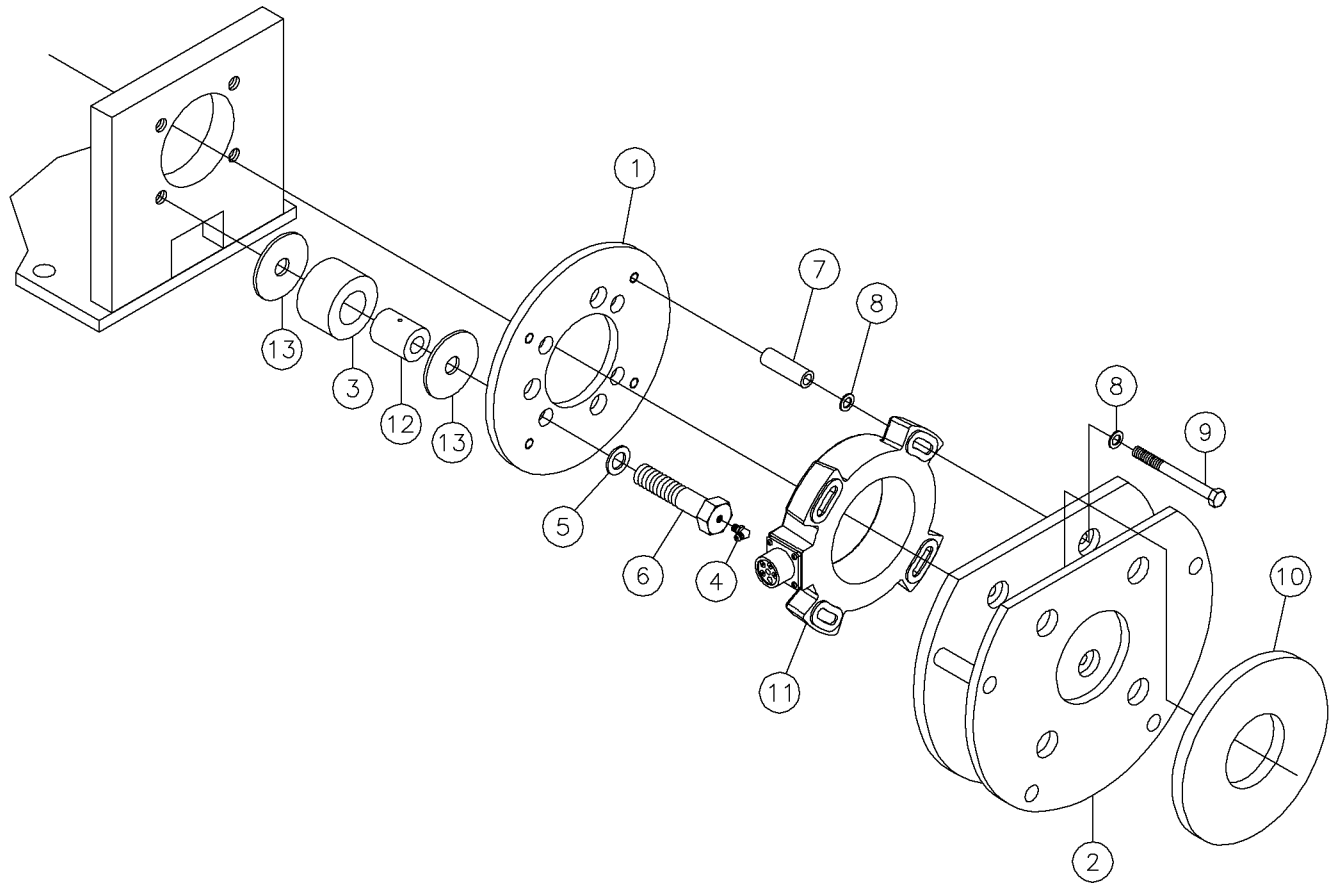
NOTE: REFER TO FIGURE 11-2 WHEN EQUIPPED WITH A ROD LOADER



Clamp Fig 7-2r03

| REF. NO. | * | PART NO. | DESCRIPTION | QTY. | REMARKS |
|----------|---|---------------|--------------------------------|------|-------------------------|
| | | Revision Date | January, 2000 | | Update In Illustration. |
| 1 | | 586001 | ZERK-1/8" ST NPT GREASE | 2 | |
| 2 | | 235717001 | WASHER-3/4 SAE HARD ZINC PLTD | 4 | |
| 3 | | 235746001 | BOLT-3/4-10X2 GR8 HEX ZNC PLTD | 4 | |
| 4 | | 235720001 | BOLT-3/8-16X1 3/4 6R8 ZINC PLT | 2 | |
| 5 | | 235713001 | WASHER-3/8 SAE HARD ZINC PLTD | 2 | |
| 6 | | 235722001 | NUT-1/2-13 GR8 JAM ZINC PLTD | 2 | |
| 7 | | 228064001 | INSERT-FASTENER | 2 | |
| 8 | | 235718001 | BOLT-1/2-13X2 GR8 HEX ZINC PLT | 2 | |
| 9 | | 236111001 | JAW-1.90 STEM | 2 | |
| 10 | | 236112001 | JAW-1.90 STEM | 2 | |
| 11 | | 241522001 | BAR-CLAMP | 1 | |
| 12 | | 235414001 | BAR-CLAMP | 1 | |
| 13 | | 232449001 | PIVOT-SLIDE | 2 | |
| 14 | | 232456001 | BAR SLIDE | 2 | |
| 15 | | 236110001 | PLATE-CLAMP SHIM | 2 | |
| 16 | | 232450001 | FRAME-CLAMP | 1 | |
| 17 | | 590001 | ZERK-1/8" NPT 90 DEG GREASE | 2 | |
| 18 | | 59246001 | FITTING-1/8MX1/8FS 90 DEG | 2 | |
| 19 | | 59245015 | HOSE-1/8X16 1/8NPT M&M 100R7 | 1 | |
| 20 | | 59245027 | HOSE-1/8X9 M&M 3000 PSI | 1 | |

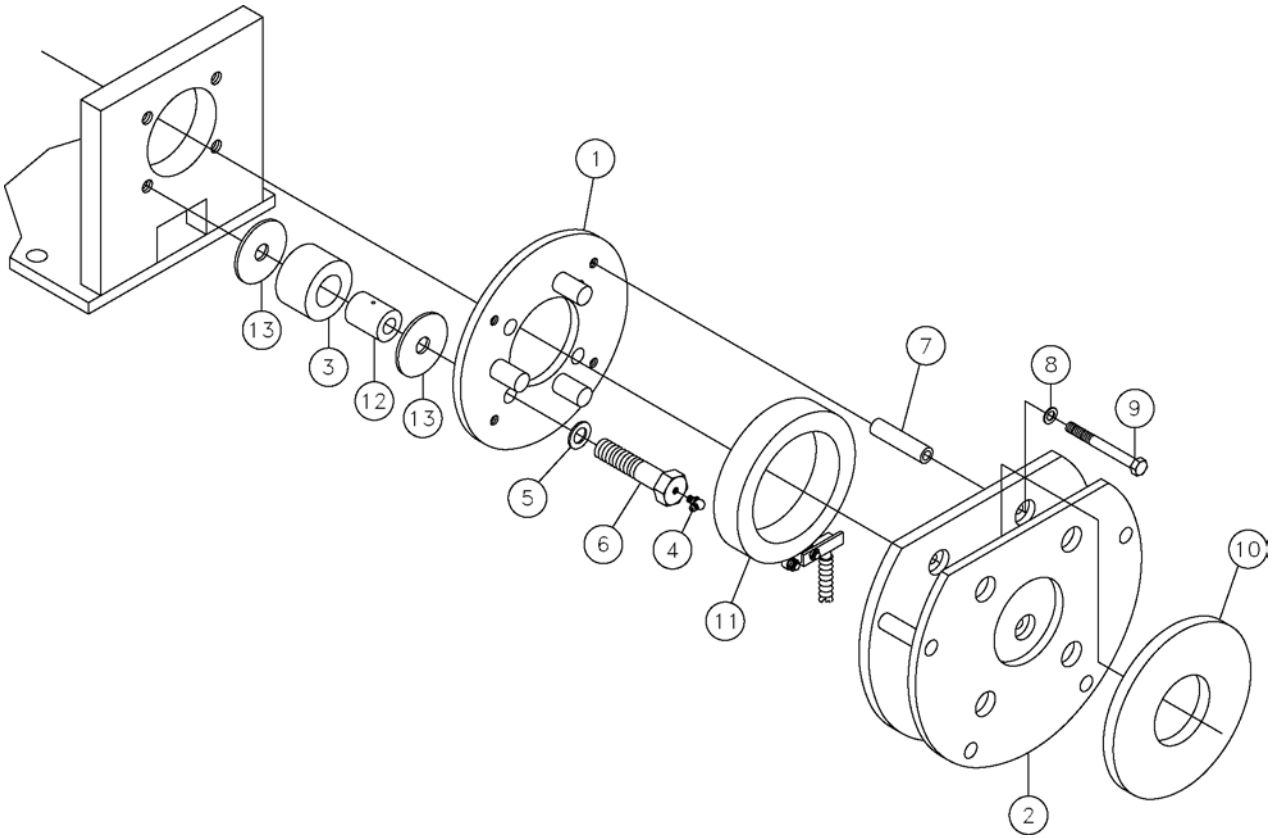
Zap Alert Coil Fig 7-3r03



Zap Alert Coil Fig 7-3r03

| REF. NO. | PART NO. | DESCRIPTION | QTY. | REMARKS |
|----------|---------------|---------------------------------|------|--------------------------------------|
| | Revision Date | May, 2006 | | Update In Illustration & Parts List. |
| 1 | 232462001 | PLATE-MOUNT | 1 | |
| 2 | 236351001 | MOUNT-ROD WIPER | 1 | |
| 3 | 236378001 | ROLLER-GUIDE | 4 | |
| 4 | 597001 | ZERK-1/4" NF 90 DEG GREASE | 4 | |
| 5 | 235715001 | WASHER-5/8 SAE HARD ZINC PLTD | 4 | |
| 6 | 236376001 | BOLT-ROLLER GREASE | 4 | |
| 7 | 296280269 | TUBE-5/8 ODX11GA.-1 15/16" | 4 | |
| 8 | 235713001 | WASHER-3/8 SAE HARD ZINC PLTD | 8 | |
| 9 | 250583001 | 3/8-16X3 3/4 GR8 HEX BOLT PLTD | 4 | |
| 10 | 235922001 | WIPER-1.90 OD ROD | 1 | |
| 10 | 23592001 | WIPER-1.66 OD ROD | 1 | |
| 11 | 296272742 | STRIKE ALERT - 4" COIL ASSEMBLY | 1 | |
| 12 | 236377001 | BUSHING-GUIDE ROLLER | 4 | |
| 13 | 485015 | WASHER-5/8 FLAT | 8 | |

Zap Alert Coil Fig 7-3r02

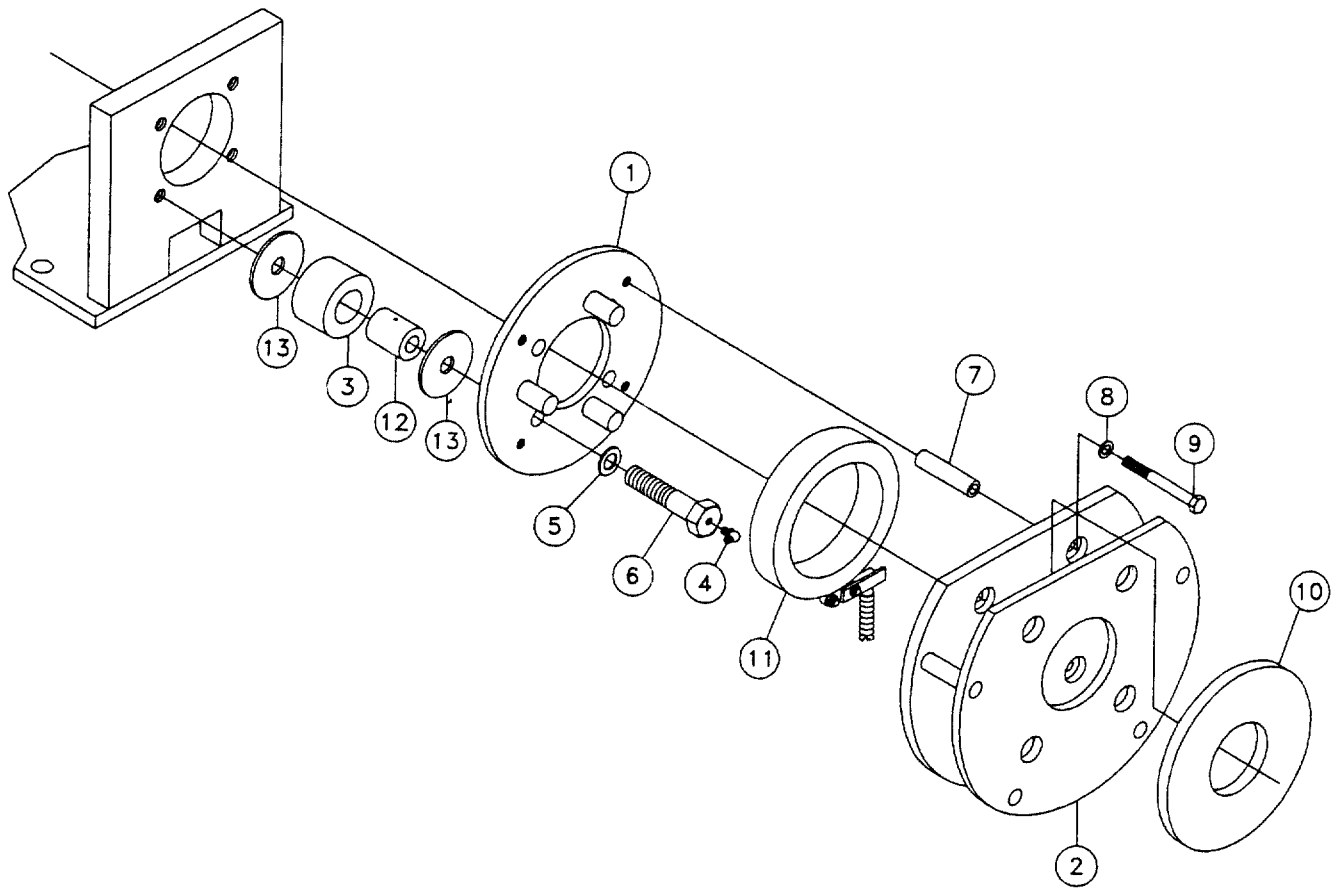


Zap Alert Coil Fig 7-3r02

| REF. NO. | * | PART NO. | DESCRIPTION | QTY. | REMARKS |
|----------|---|---------------|--------------------------------|------|-------------------------------|
| | | Revision Date | October, 2005 | | Update In Illus. & Parts List |
| 1 | * | 296280305 | PLATE-MOUNT | 1 | PN Change |
| 2 | | 236351001 | MOUNT-ROD WIPER | 1 | |
| 3 | | 236378001 | ROLLER-GUIDE | 4 | |
| 4 | | 597001 | ZERK-1/4" NF 90 DEG GREASE | 4 | |
| 5 | | 235715001 | WASHER-5/8 SAE HARD ZINC PLTD | 4 | |
| 6 | | 236376001001 | BOLT-ROLLER GREASE | 4 | |
| 7 | * | 296280277 | TUBE-5/8ODX11GA-1 9/16" | 4 | PN Change |
| 8 | * | 235713001 | WASHER-3/8 SAE HARD ZINC PLTD | 8 | Qty Change |
| 9 | | 240377001 | BOLT-3/8-16X3 1/4 GR8 ZINC PLT | 4 | |
| 10 | | 235922001 | WIPER-1.90 OD ROD | 1 | |
| 10 | | 23592001 | WIPER-1.66 OD ROD | 1 | |
| 11 | | 230814001 | ZAP ALERT COIL-14'COAX 3-WIRE | 1 | S/N 101-385, 387-461- |
| 11 | | 282518001 | ZAP ALERT-COIL | 1 | S/N 386, 462- |
| 12 | | 236377001 | BUSHING-GUIDE ROLLER | 4 | |
| 13 | | 485015 | WASHER-5/8 FLAT | 8 | |

Zap Alert Coil Fig 7-3r01

Revised January 2000 due to update
in parts list. Added part marked with *.

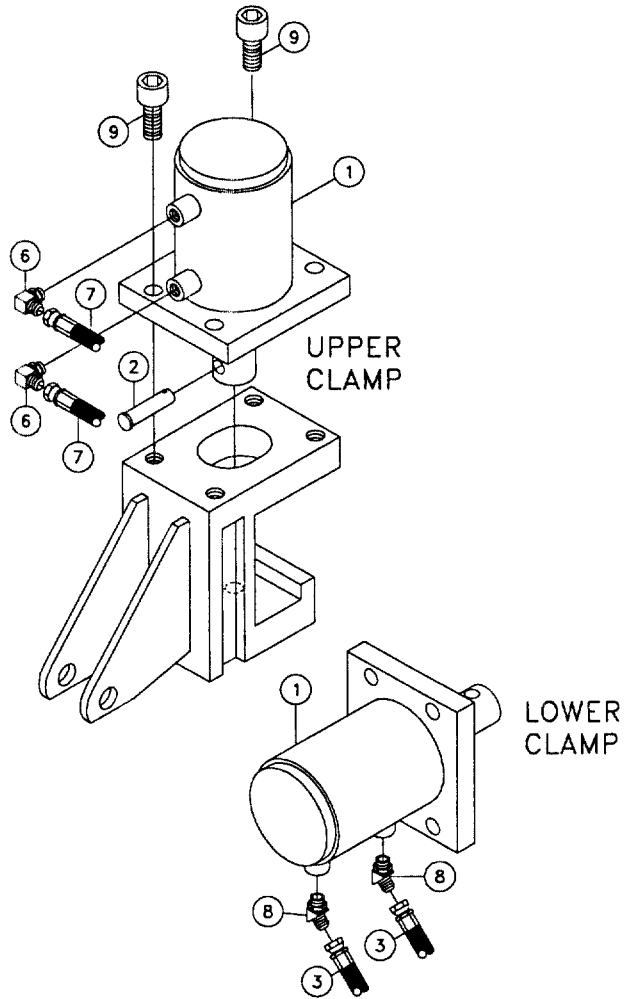
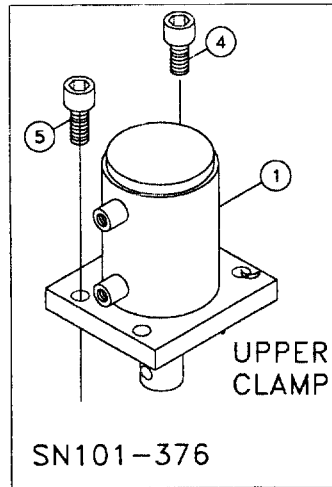


Zap Alert Coil Fig 7-3r01

| REF. NO. | * | PART NO. | DESCRIPTION | QTY. | REMARKS |
|----------|---|---------------|--------------------------------|------|-----------------------|
| | | Revision Date | January, 2000 | | |
| 1 | | 232489001 | PLATE-MOUNT | 1 | |
| 2 | | 236351001 | MOUNT-ROD WIPER | 1 | |
| 3 | | 236378001 | ROLLER-GUIDE | 4 | |
| 4 | | 597001 | ZERK-1/4" NF 90 DEG GREASE | 4 | |
| 5 | | 235715001 | WASHER-5/8 SAE HARD ZINC PLTD | 4 | |
| 6 | | 236376001001 | BOLT-ROLLER GREASE | 4 | |
| 7 | | 1070049 | TUBE-5/8ODX11GA-2 9/16" | 4 | |
| 8 | | 235713001 | WASHER-3/8 SAE HARD ZINC PLTD | 4 | |
| 9 | | 240377001 | BOLT-3/8-16X3 1/4 GR8 ZINC PLT | 4 | |
| 10 | | 235922001 | WIPER-1.90 OD ROD | 1 | |
| 10 | | 23592001 | WIPER-1.66 OD ROD | 1 | |
| 11 | | 230814001 | ZAP ALERT COIL-14'COAX(3-WIRE | 1 | S/N 101-385, 387-461- |
| 11 | * | 282518001 | ZAP ALERT-COIL | 1 | S/N 386, 462- |
| 12 | | 236377001 | BUSHING-GUIDE ROLLER | 4 | |
| 13 | | 485015 | WASHER-5/8 FLAT | 8 | |

Clamp Cylinder Fig 7-4r01

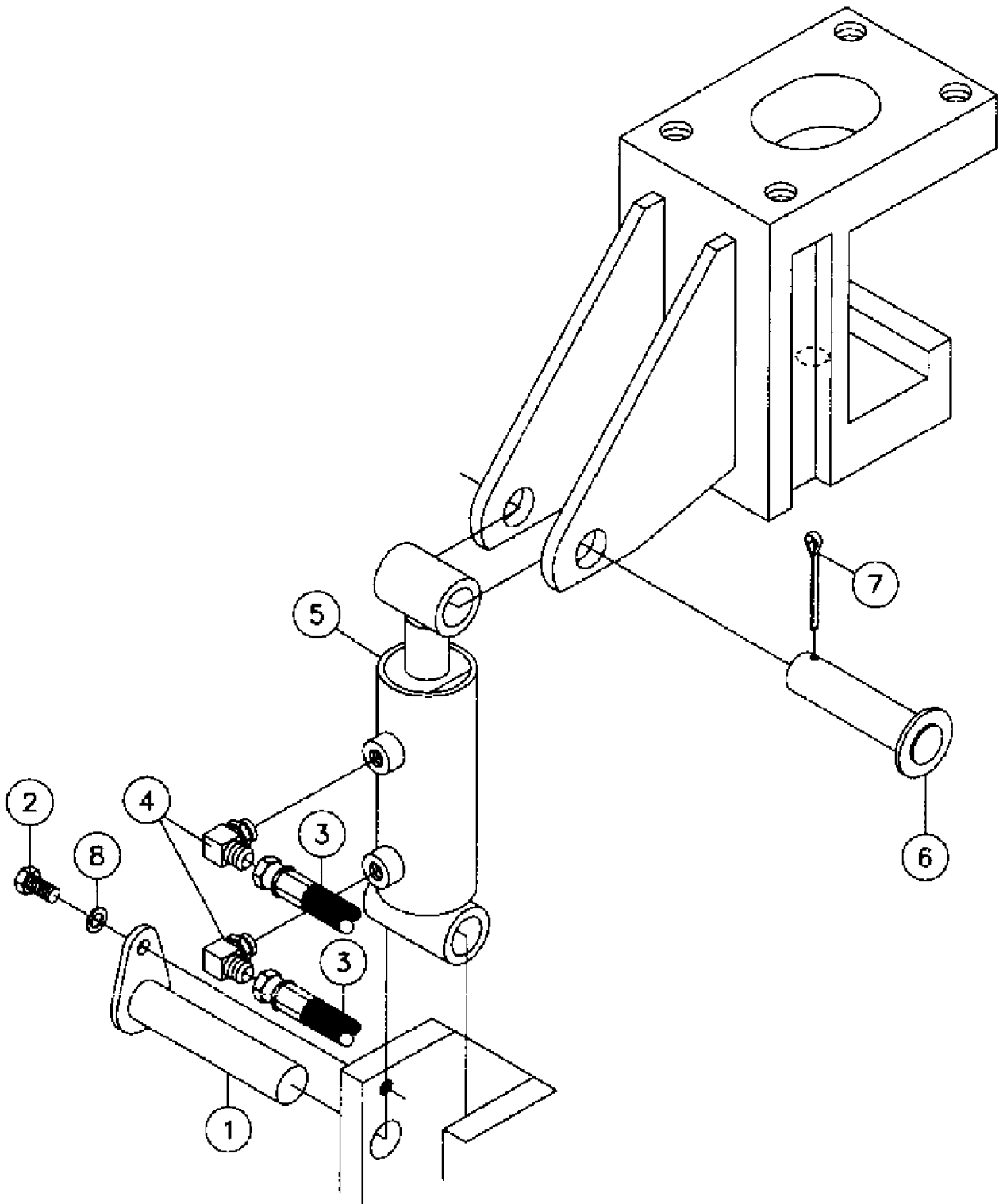
Revised January 2000 due to update
in parts list. Changed/added parts marked with *.



Clamp Cylinder Fig 7-4r01

| REF. NO. | * | PART NO. | DESCRIPTION | QTY. | REMARKS |
|----------|---|---------------|--------------------------------|------|----------------------|
| | | Revision Date | January, 2000 | | |
| 1 | | 232454001 | CYLINDER-4X2 | 2 | Breakdown Fig 7-7 |
| 2 | | 240032001 | PIN-.620X2 33/64 BALL LOCK | 2 | |
| 3 | | 68209009 | HOSE-3/8X56 6FS JIC (M2T) | 2 | |
| 4 | | 239365001 | BOLT-7/8-14X2 1/2 SKTHD GR8 ZN | 4 | Replace W/ 121827020 |
| 5 | | 240096001 | 78-14X2 1/4 SOC HD CAPSCRW ZN | 4 | Replace W/ 121827020 |
| 6 | | 59426001 | FITTING-6M JICX6M ADJ 90 ELBOW | 2 | |
| 7 | | 57940153 | HOSE-3/8X72 6FS JIC (100R2) | 2 | |
| 8 | | 65563001 | 6M X 6M JIC 45 DEGREE | 2 | |
| 9 | * | 121827020 | CAPSCREW-7/8-14X250C HD | 8 | S/N 377- |

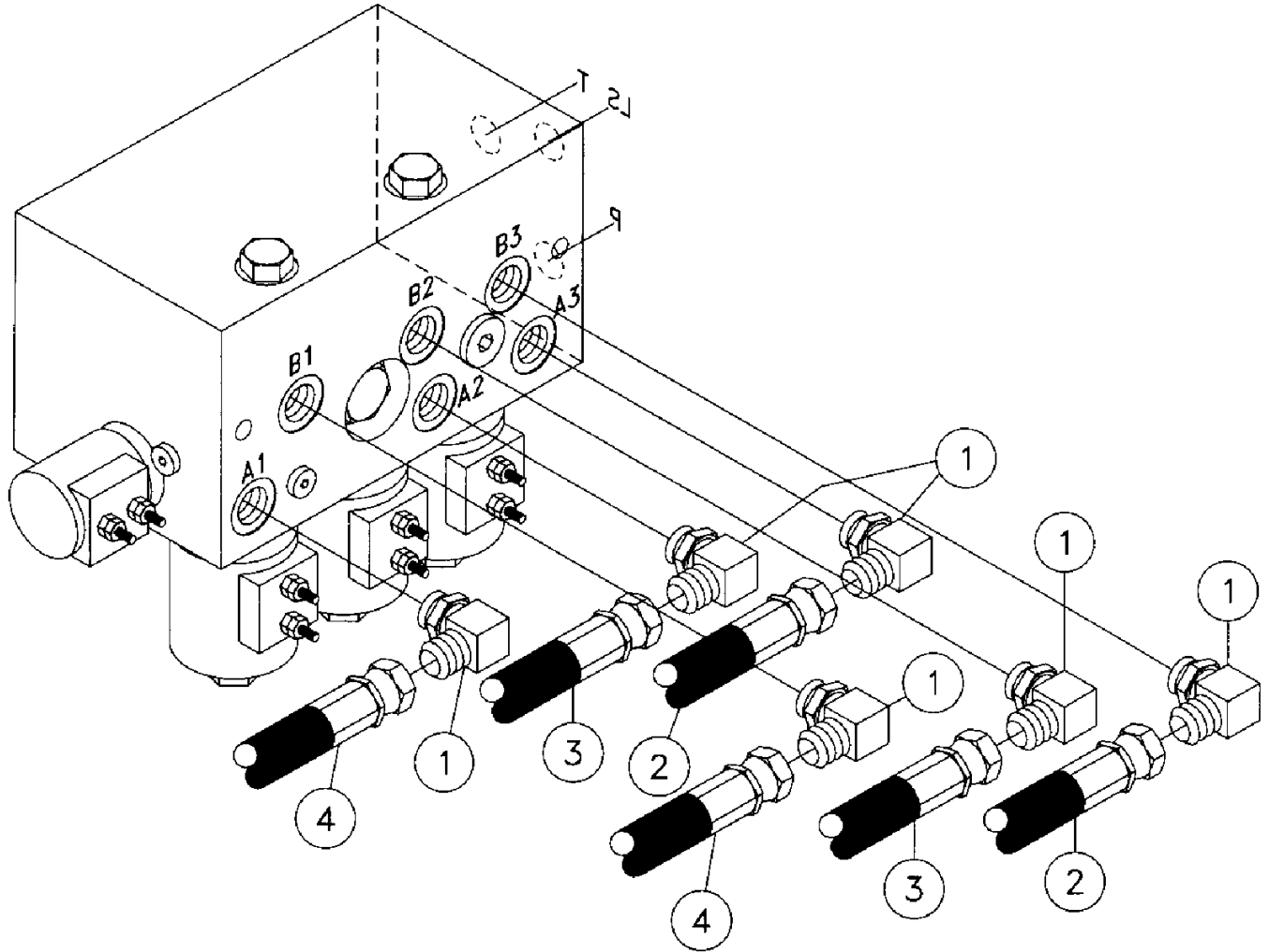
Rotation Cylinder Fig 7-5



Rotation Cylinder Fig 7-5

| REF. NO. | * | PART NO. | DESCRIPTION | QTY. | REMARKS |
|----------|---|-----------|--------------------------------|------|-------------------|
| 1 | | 234542001 | PIN-VISE CYLINDER | 1 | |
| 2 | | 235726001 | BOLT-3/8-16X3/4 GR8 HEX ZNCPLT | 1 | |
| 3 | | 57940181 | HOSE-3/8X66 6FS JIC (100R2) | 2 | |
| 4 | | 60906001 | 4MX6M JIC 90 DEG ELBOW | 2 | |
| 5 | | 229412001 | CYLINDER-2X2 | 1 | Breakdown Fig 7-8 |
| 6 | | 241664001 | PIN-TILT | 1 | |
| 7 | | 510025 | COTTER PIN-3/16" X 2" | 1 | |
| | | 510025 | COTTER PIN-3/16" X 2" | 1 | |
| 8 | | 235713001 | WASHER-3/8 SAE HARD ZINC PLTD | 1 | |

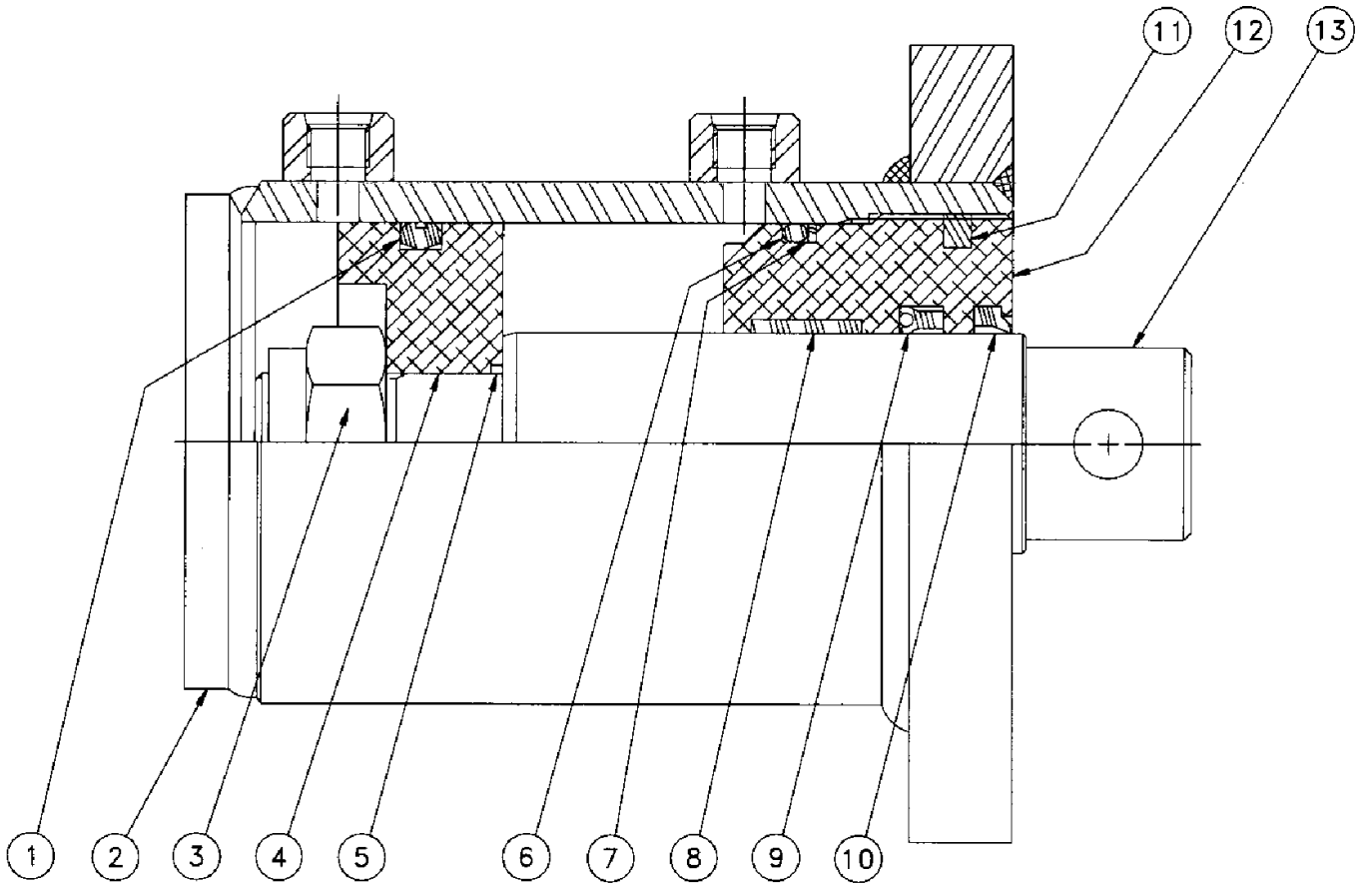
Clamp Valve Plumbing Fig 7-6



Clamp Valve Plumbing Fig 7-6

| REF. NO. | * | PART NO. | DESCRIPTION | QTY. | REMARKS |
|----------|---|----------|--------------------------------|------|---------|
| 1 | | 59426001 | FITTING-6M JICX6M ADJ 90 ELBOW | 6 | |
| 2 | | 57940181 | HOSE-3/8X66 6FS JIC (100R2) | 2 | |
| 3 | | 57940153 | HOSE-3/8X72 6FS JIC (100R2) | 2 | |
| 4 | | 68209009 | HOSE-3/8X56 6FS JIC (M2T) | 2 | |

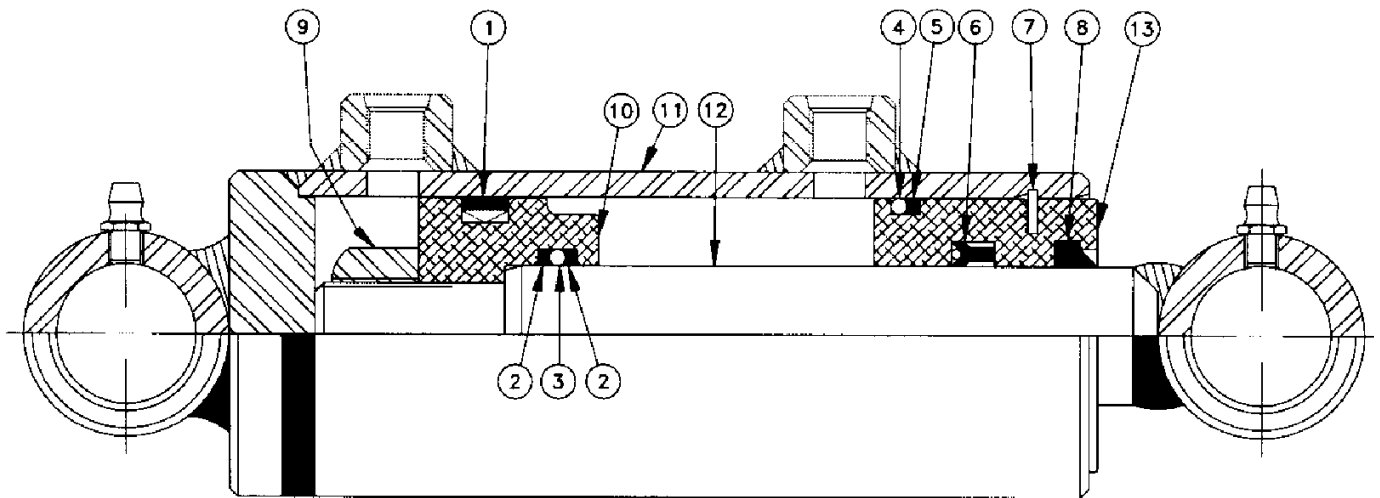
Hyd Cylinder Components - 4" X 2" Fig 7-7



Hyd Cylinder Components - 4" X 2" Fig 7-7

| REF. NO. | * | PART NO. | DESCRIPTION | QTY. | REMARKS |
|----------|---|-----------|----------------------|------|-------------------|
| 1 | | 221730003 | UNIRING | 1 | |
| 2 | | 232454003 | TUBE WELDMENT | 1 | |
| 3 | | 140007009 | LOCKNUT- 1.25-12 UNF | 1 | |
| 4 | | 221730007 | PISTON | 1 | |
| 5 | | 104012027 | O-RING | 1 | |
| 6 | | 104012025 | O-RING | 1 | |
| 7 | | 104012023 | BACKUP RING | 1 | |
| 8 | | 232454005 | WEAR BAND | 1 | |
| 9 | | 99540009 | POLYPACK | 1 | |
| 10 | | 99540007 | WIPER-ROD | 1 | |
| 11 | | 99541017 | LOCKING INSERT | 1 | |
| 12 | | 221730009 | HEAD GLAND | 1 | |
| 13 | | 221730011 | ROD-CYLINDER | 1 | |
| | | | | | |
| | | 232454001 | CYLINDER-4X2 | | Inc Ref No's 1-13 |
| | | 221730013 | SEAL KIT | | Inc Ref No's 5-11 |

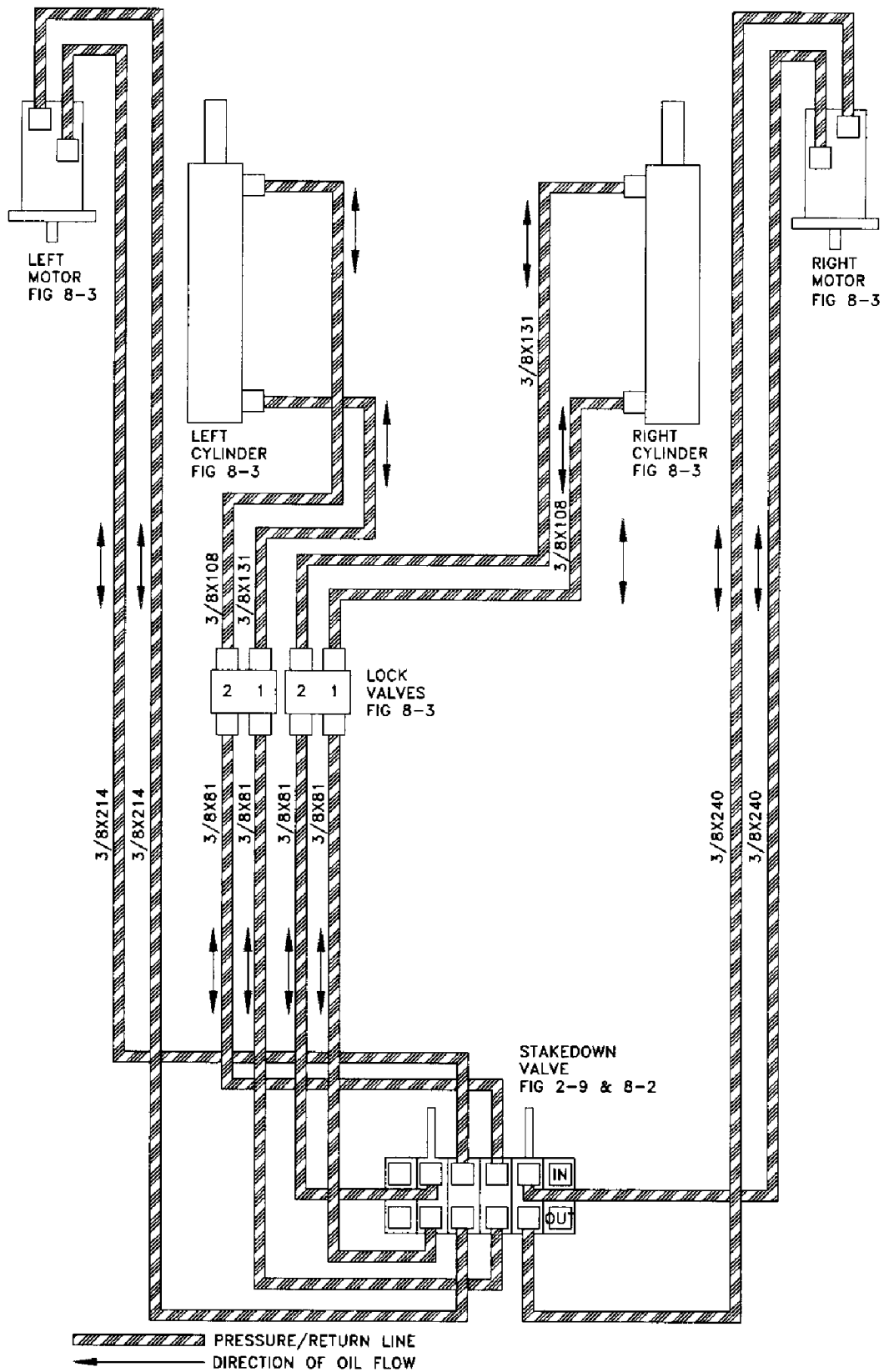
Hyd Cylinder Components - 2" X 2" Fig 7-8



Hyd Cylinder Components - 2" X 2" Fig 7-8

| REF. NO. | * | PART NO. | DESCRIPTION | QTY. | REMARKS |
|----------|---|-----------|--------------------|------|-------------------|
| 1 | | 219111015 | UNI-RING | 1 | |
| 2 | | 208177001 | WASHER-BACKUP | 2 | |
| 3 | | 208178001 | O-RING | 1 | |
| 4 | | 215019009 | O-RING | 1 | |
| 5 | | 200834001 | BACKUP WASHER | 1 | |
| 6 | | 219111009 | LOADED U-CUP | 1 | |
| 7 | | 219111007 | INTERNAL SNAP RING | 1 | |
| 8 | | 219111011 | ROD WIPER | 1 | |
| 9 | | 219111013 | LOCK NUT | 1 | |
| 10 | | 229412003 | PISTON | 1 | |
| 11 | | 229412005 | BARREL ASSEMBLY | 1 | |
| 12 | | 229412007 | ROD ASSEMBLY | 1 | |
| 13 | | 200919001 | GLAND | 1 | |
| | | | | | |
| | | 229412001 | CYLINDER-2X2 | | Inc Ref No's 1-13 |
| | | 229412009 | SEAL KIT | | Inc Ref No's 1-8 |

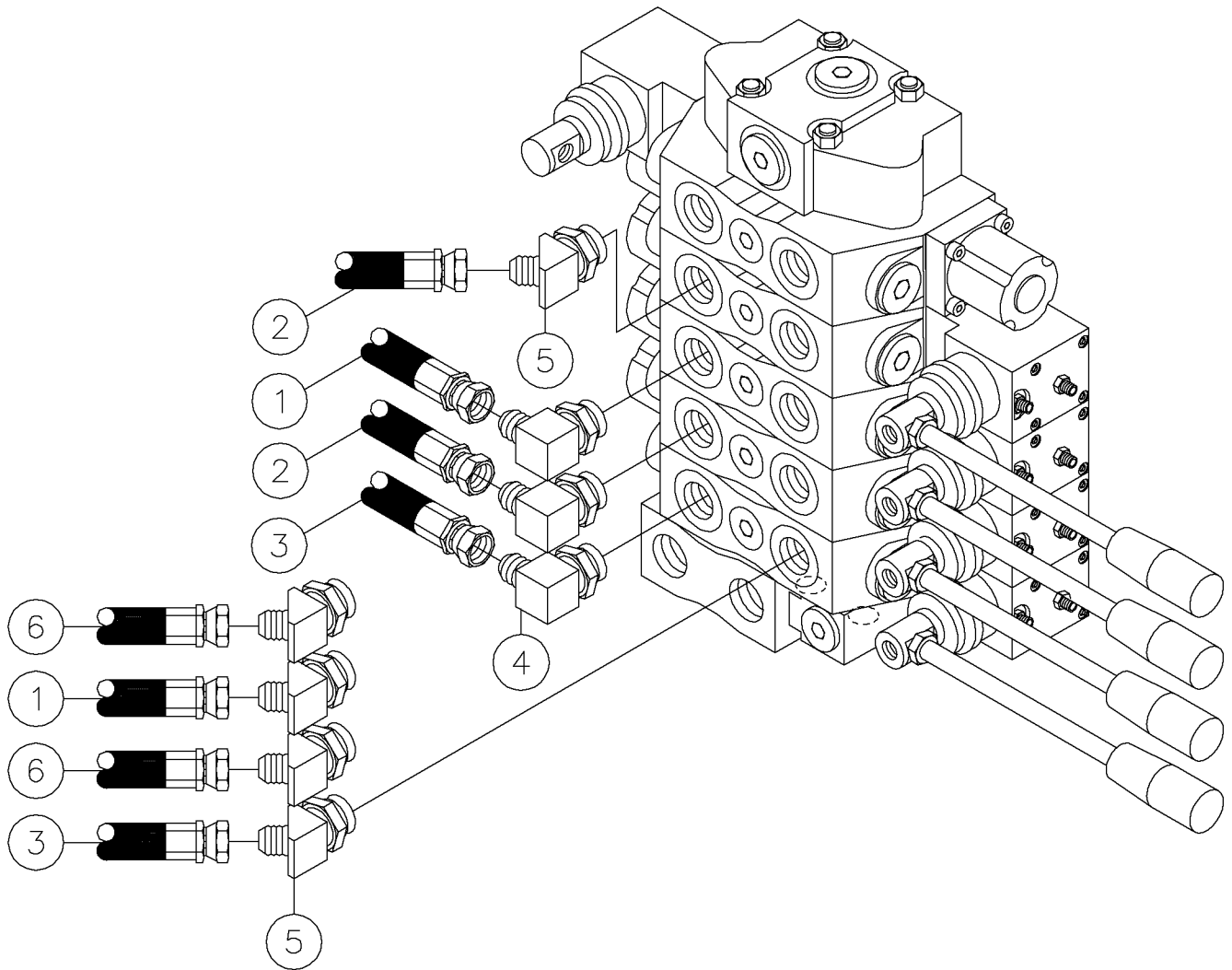
DecHyd Components Location Diagram - Stakedown Fig 8-1r02



DecHyd Components Location Diagram - Stakedown Fig 8-1r02

| REF. NO. | * | PART NO. | DESCRIPTION | QTY. | REMARKS |
|----------|---|---------------|-------------|------|-------------------------|
| | | Revision Date | June, 2000 | | Update In Illustration. |

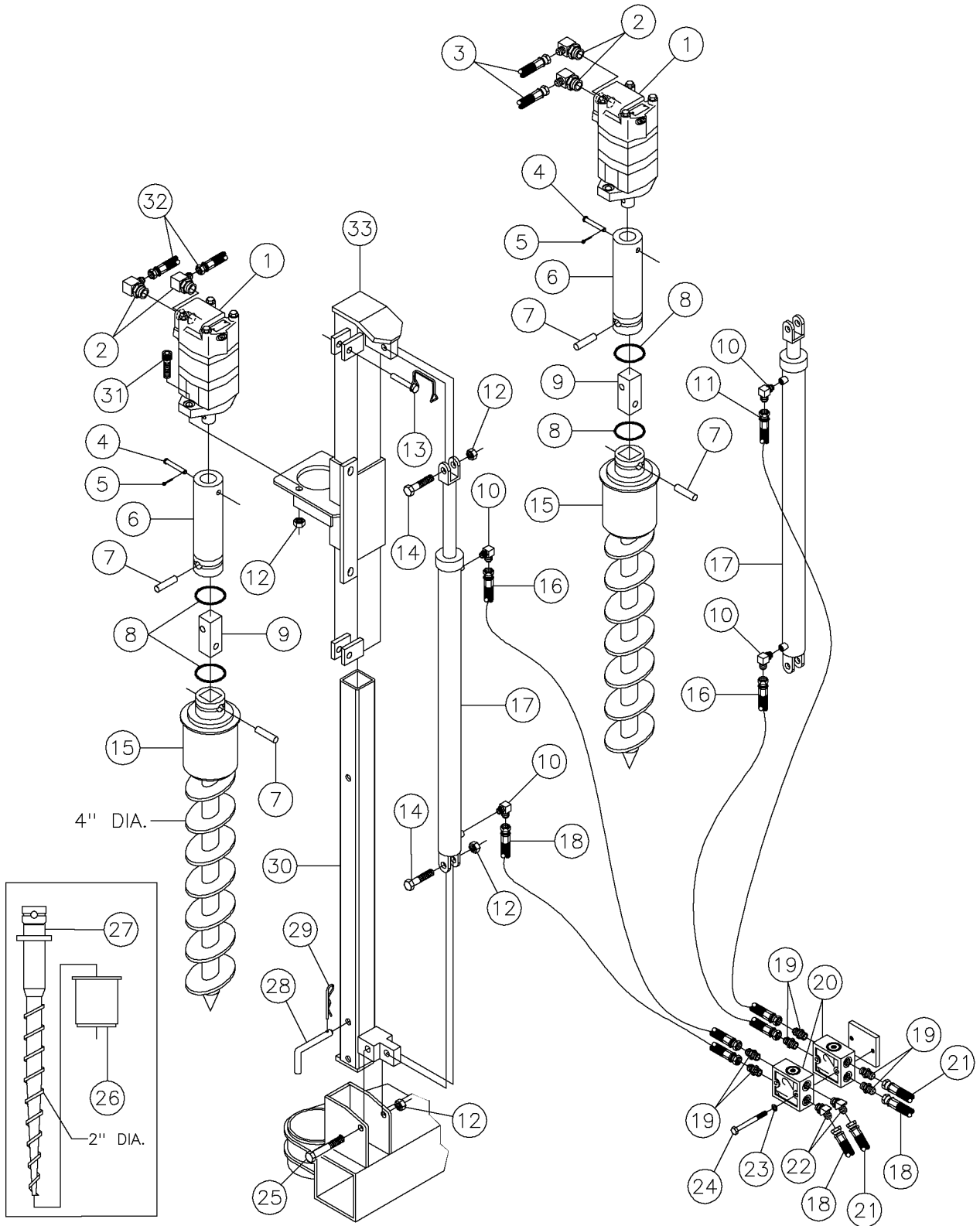
Control Valve Plumbing Assy Fig 8-2r03



Control Valve Plumbing Assy Fig 8-2r03

| REF. NO. | * | PART NO. | DESCRIPTION | QTY. | REMARKS |
|----------|---|---------------|----------------------------------|------|---------|
| | | Revision Date | June, 2000 | | |
| 1 | | 57940789 | HOSE-3/8 X 214" 6FS JIC 3000 PSI | 2 | |
| 2 | * | 57940531 | HOSE-3/8 X 81 6FS JIC 4000 PSI | 2 | |
| 3 | | 57940525 | HOSE-3/8 X 240 6FS JIC 3000 PSI | 2 | |
| 4 | | 57954001 | 8M X 6 JIC 90 DEG | 4 | |
| 5 | | 59425001 | FITTING-6M JIC X 8M ADJ.45 ELBOW | 2 | |
| 6 | * | 57940087 | HOSE-3/8 X 84 6FS JIC 3000 PSI | 2 | |

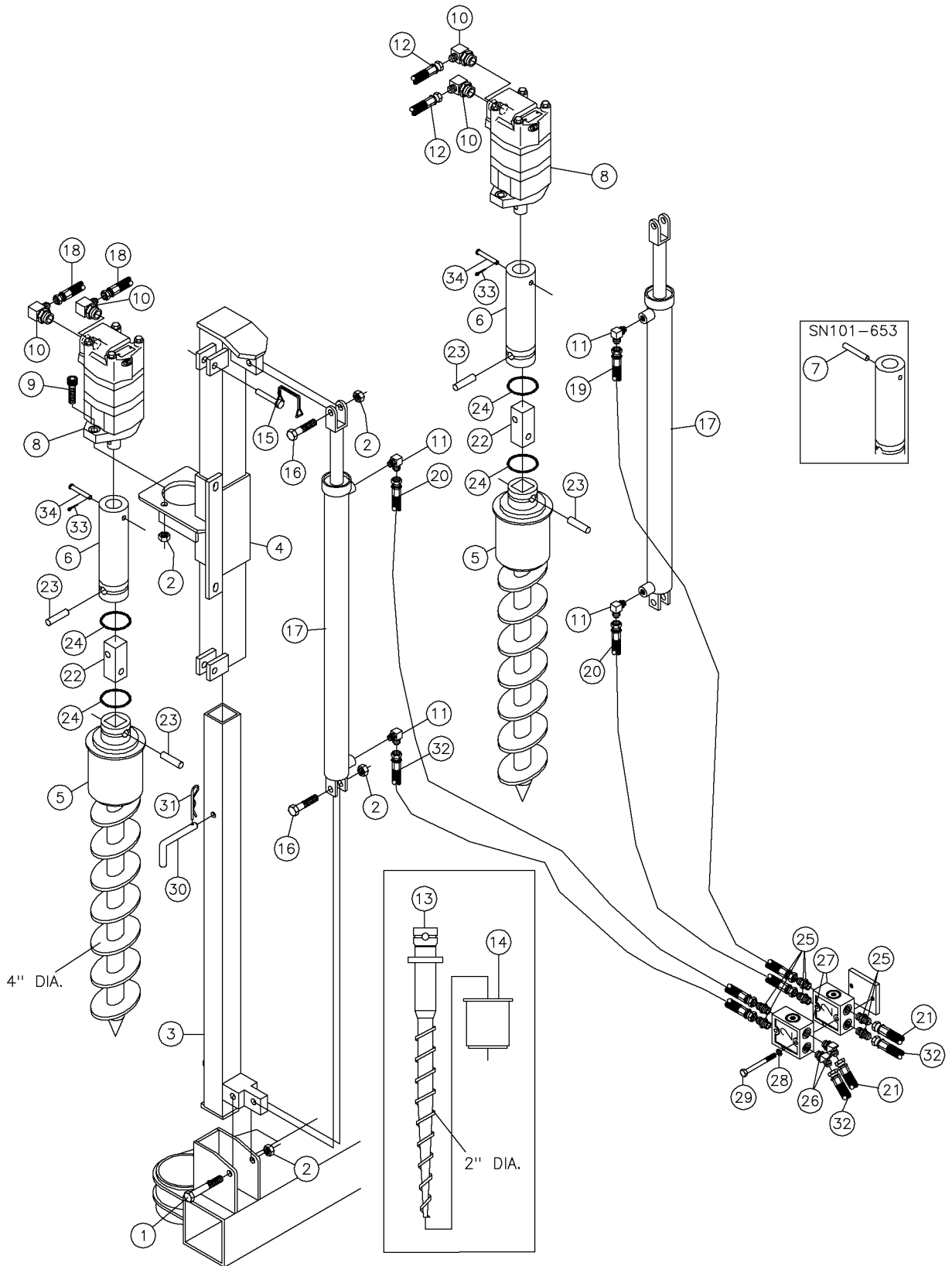
Stationary Stakedown Assy Fig 8-3r05



Stationary Stakedown Assy Fig 8-3r05

| REF. NO. | * | PART NO. | DESCRIPTION | QTY. | REMARKS |
|----------|---|---------------|---|------|--------------------------------------|
| | | Revision Date | September, 2004 | | Update In Illustration & Parts List. |
| 1 | | 228514001 | MOTOR-2000 SERIES 24 CID | 1 | Breakdown Fig. 8-4 |
| 2 | | 60535001 | 10MX6M JIC 90 DEG ELBOW | 4 | |
| 3 | | 57940525 | HOSE-3/8X240 6FS JIC 3000 PSI | 2 | |
| 4 | | 282842001 | PIN - RETAINING | 2 | S/N 653- |
| 5 | | 510005 | COTTER PIN-3/32" X 3/4" | 2 | S/N 653- |
| 6 | | 236196001 | COUPLER-SQUARE DRIVE | 2 | |
| 7 | | 236200001 | PIN-STAKE KEEPER | 4 | |
| 8 | | 236229001 | O-RING - 329 | 4 | |
| 9 | | 236230001 | BAR-STAKE DRIVE | 2 | |
| 10 | | 60906001 | 4MX6M JIC 90 DEG ELBOW | 4 | |
| 11 | | 57940489 | HOSE-3/8X131 6FS JIC 3500 PSI | 1 | |
| 12 | | 75382001 | NUT-1/2-UNC GRADE 8 SLTL | 12 | |
| 13 | | 2109003 | PIN LOCKING - 3/8 X 2 1/4 | 2 | |
| 14 | | 240335001 | BOLT-1/2-13X2 1/4 GR8 ZINC PLT | 4 | |
| 15 | | 236197001 | STAKE-4" SQ. DRIVE | 2 | |
| 16 | | 57940155 | HOSE-3/8X108 6FS JIC (100R2) | 2 | |
| 17 | | 287588001 | CYLINDER - 1-1/2 X 24 | 2 | Breakdown Fig. 8-5 |
| 18 | | 57940087 | HOSE-3/8X84-6FS JIC 3000 PSI | 3 | |
| 19 | | 65565001 | FITTING - 6M O-RING X 6M JIC ST. | 6 | |
| 20 | | 86668001 | VALVE-LOA-6-D | 2 | Breakdown Fig. 8-6 |
| 21 | | 57940531 | HOSE-3/8X81 6FS JIC 4000 PSI | 2 | |
| 22 | | 65563001 | FITTING - 6M O-RING X 6M JIC 45 DEGREE | 2 | |
| 23 | | 235714001 | WASHER - FLATSTRL - .31 - .34 X .69 - .06-YZ-A325 | 2 | |
| 24 | | 248013001 | BOLT-5/16-18X3 1/2 GD8 ZINC PL | 2 | |
| 25 | | 240336001 | BOLT-1/2-13X3 1/4 GR8 ZINC PLT | 4 | |
| 26 | | 228538001 | CAN-STAKE | 2 | |
| 27 | | 236202001 | STAKE-2 FT. ANCHOR | 2 | |
| 28 | | 226141001 | PIN-OUTRIGGER POCKET MOUNT | 1 | |
| 29 | | 1793005 | HAIR PIN COTTER - .125 WIRE | 1 | |
| 30 | | 232408001 | TUBE-STAKE | 2 | |
| 31 | | 229144001 | CAPSCREW- 1/2-13 X 1 3/4SOC.HD | 4 | |
| 32 | | 57940789 | HOSE-3/8X214" 6FS JIC 3000 PSI | 2 | |
| 33 | | 232410001 | TUBE-SLIDE | 2 | |

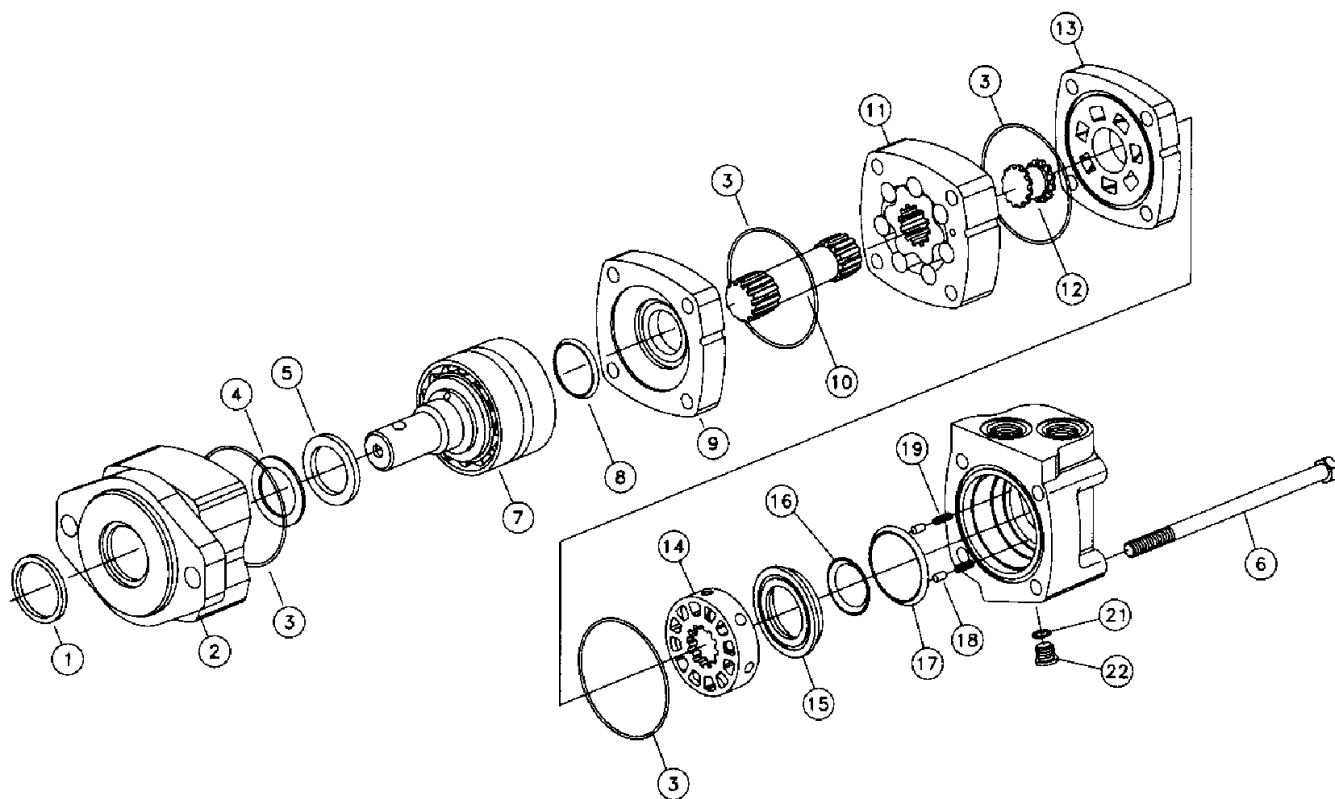
Stationary Stakedown Assy Fig 8-3r04



Stationary Stakedown Assy Fig 8-3r04

| REF. NO. | * | PART NO. | DESCRIPTION | QTY. | REMARKS |
|----------|---|---------------|----------------------------------|------|--------------------------------------|
| | | Revision Date | July, 2002 | | Update In Illustration & Parts List. |
| 1 | | 240336001 | BOLT-1/2-13 X 3 1/4 GR8 ZINC PLT | 4 | |
| 2 | | 75382001 | NUT-1/2-UNC GRADE 8 SLTL | 12 | |
| 3 | | 232408001 | TUBE-STAKE | 2 | |
| 4 | | 232410001 | TUBE-SLIDE | 2 | |
| 5 | | 236197001 | STAKE-4" SQ. DRIVE | 2 | |
| 6 | | 236196001 | COUPLER-SQUARE DRIVE | 2 | |
| 7 | | 228516001 | PIN-3/8 X 2 1/2 TYPE A GROOVED | 2 | S/N 101-652 |
| 8 | | 228514001 | MOTOR-2000 SERIES 24 CID | 2 | Breakdown Fig 8-4 |
| 9 | | 229144801 | CAPSCREW-1/2-13 X 1 3/4SOC.HD | 4 | |
| 10 | | 60535001 | 10M X 6M JIC 90 DEG ELBOW | 4 | |
| 11 | | 60906001 | 4M X 6M JIC 90 DEG ELBOW | 4 | |
| 12 | | 57940525 | HOSE-3/8 X 240 6FS JIC 3000 PSI | 2 | |
| 13 | | 236202001 | STAKE-2 FT. ANCHOR | 2 | |
| 14 | | 228538001 | CAN-STAKE | 2 | |
| 15 | | 2109003 | PIN LOCKING - 3/8 X 2 1/4 | 2 | |
| 16 | | 240335001 | BOLT-1/2-13 X 2 1/4 GR8 ZINC PLT | 4 | |
| 17 | * | 287588001 | CYLINDER - 1-1/2 X 24 | 2 | Breakdown Fig 8-5 |
| 18 | | 57940789 | HOSE-3/8 X 214" 6FS JIC 3000 PSI | 2 | |
| 19 | | 57940489 | HOSE-3/8 X 131 6FS JIC 3500 PSI | 1 | |
| 20 | | 57940155 | HOSE-3/8 X 108 6FS JIC (100R2) | 2 | |
| 21 | | 57940531 | HOSE-3/8X81 6FS JIC 4000 PSI | 2 | |
| 22 | | 236230001 | BAR-STAKE DRIVE | 2 | |
| 23 | | 236200001 | PIN-STAKE KEEPER | 4 | |
| 24 | | 236229001 | O-RING -329 | 4 | |
| 25 | | 65565001 | FITTING-6M X 6M JIC ST. | 6 | |
| 26 | | 65563001 | 6M X 6M JIC 45 DEGREE | 2 | |
| 27 | | 86668001 | VALVE-LOA-6-D | 2 | Breakdown Fig 8-6 |
| 28 | | 235714001 | WASHER-5/16 SAE HARD ZINC PLTD | 2 | |
| 29 | | 248013001 | BOLT-5/16-18 X 3 1/2 GD8 ZINC PL | 2 | |
| 30 | | 226141001 | PIN | 1 | |
| 31 | | 1793005 | HAIR PIN COTTER | 1 | |
| 32 | | 57940087 | HOSE-3/8 X 84 6FS JIC 3000 PSI | 3 | |
| 33 | | 510005 | COTTER PIN-3/32" X 3/4" | 2 | S/N 653- |
| 34 | | 282842001 | PIN-RETAINER | 2 | S/N 653- |

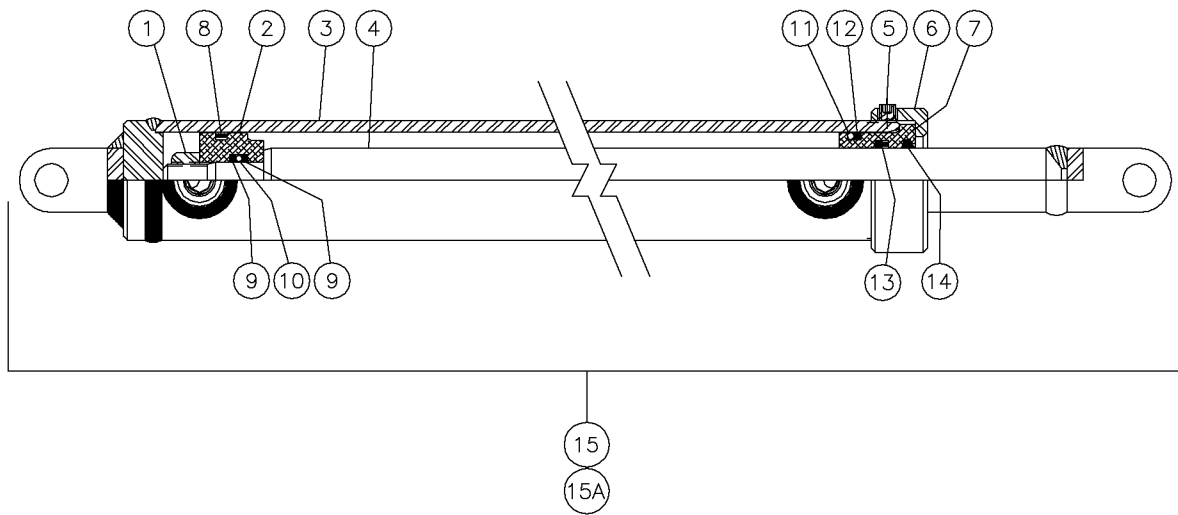
Hyd Motor Components Fig 8-4



Hyd Motor Components Fig 8-4

| REF. NO. | * | PART NO. | DESCRIPTION | QTY. | REMARKS |
|----------|---|-----------|---------------------------------|------|---|
| 1 | | 770071 | SEAL-DUST | 1 | |
| 2 | | 770073 | HOUSING-BEARING | 1 | |
| 3 | | 770007 | SEAL-O RING | 4 | |
| 4 | | 770009 | WASHER-BACKUP | 1 | |
| 5 | | 770075 | SEAL-SHAFT | 1 | |
| 6 | | 70020007 | BOLT | 4 | |
| 7 | | 228514003 | SHAFT AND BEARING KIT-1 1/4 | 1 | |
| 8 | | 770017 | SEAL-SHAFT FACE | 1 | |
| 9 | | 770079 | PLATE-WEAR | 1 | |
| 10 | | 774023 | DRIVE | 1 | |
| 11 | | NSS | GEROLER ASSY. | 1 | |
| 12 | | 774011 | DRIVE-VALVE | 1 | |
| 13 | | 770085 | PLATE-VALVE | 1 | |
| 14 | | 770087 | VALVE | 1 | |
| 15 | | 770089 | PLATE-BALANCE | 1 | |
| 16 | | 770057 | SEAL-FACE INNER | 1 | |
| 17 | | 770091 | SEAL-FACE, OUTER | 1 | |
| 18 | | 770037 | PIN | 2 | |
| 19 | | 770039 | SPRING | 2 | |
| 20 | | 770093 | HOUSING-(SAE 10 PORTS) | 1 | Inc Ref No's 21 & 22 |
| 21 | | 4485023 | O-RING | 1 | |
| 22 | | 4485019 | PLUG | 1 | |
| | | | | | |
| | | 4485021 | PLUG ASSY | 1 | Inc Ref No's 21 & 22 |
| | | 228514001 | MOTOR-2000 SERIES 24 CID | | Includes All Items In Figure |
| | | 770097 | REPAIR KIT | | Inc Ref No's 1, 3, 4, 5, 8, 16, 17, & 21 |
| | | Note: | When Ordering Replacement Parts | | Include The Product Number 104-1743-006 With Your Order |

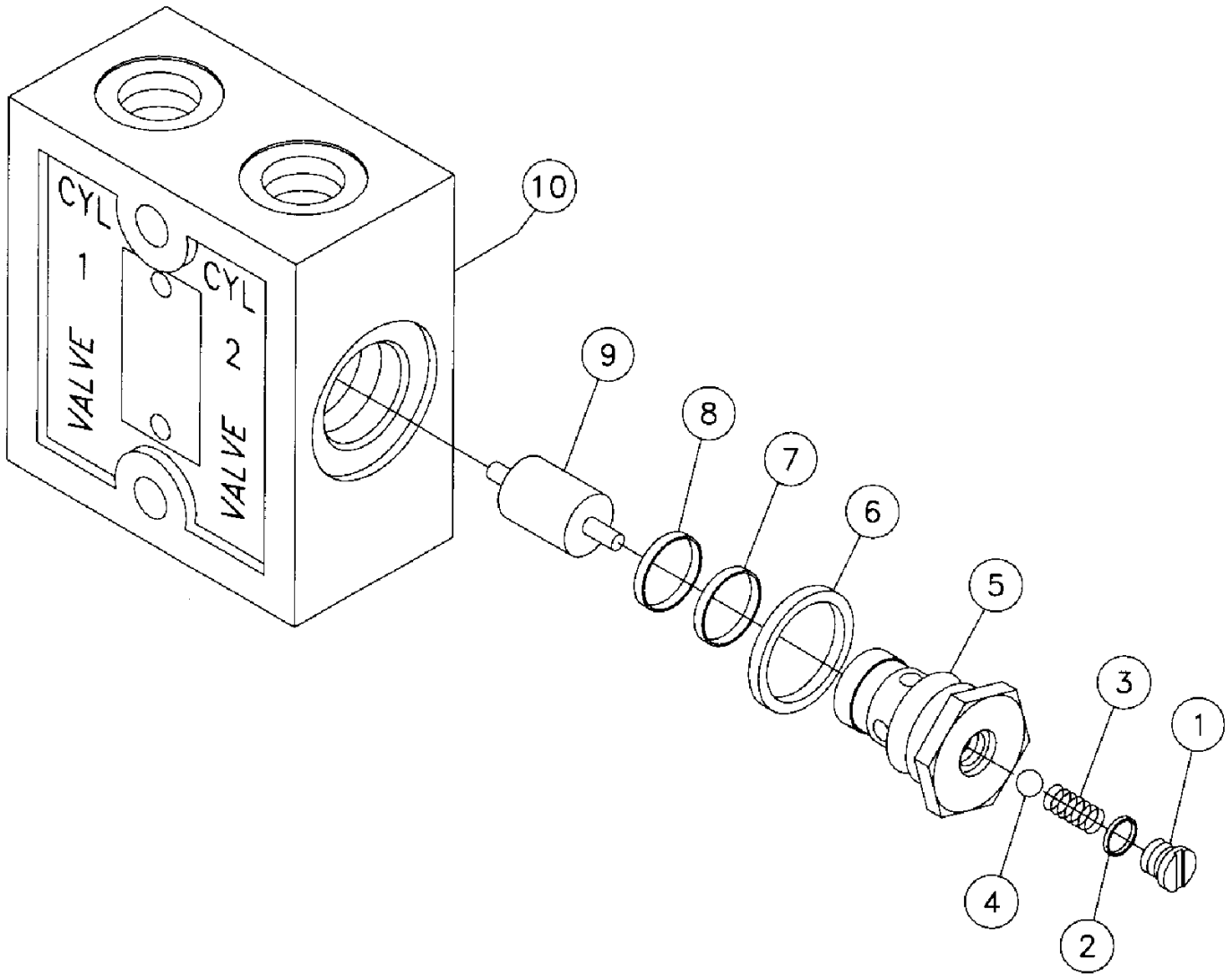
Hyd Cylinder Components - 1 1/2" X 24" Fig 8-5r01



Hyd Cylinder Components - 1 1/2" X 24" Fig 8-5r01

| REF. NO. | * | PART NO. | DESCRIPTION | QTY. | REMARKS |
|----------|---|---------------|-----------------------|------|--------------------------------------|
| | | Revision Date | July, 2002 | | Update In Illustration & Parts List. |
| 1 | | 202722001 | LOCKNUT | 1 | |
| 2 | | 287588004 | PISTON | 1 | |
| 3 | | 287588005 | BARREL ASSEMBLY | 1 | |
| 4 | | 287588006 | ROD ASSEMBLY | 1 | |
| 5 | | 223998013 | SET SCREW | 1 | |
| 6 | | 287588007 | THREAD CAP | 1 | |
| 7 | | 287588008 | THREAD CAP HEAD | 1 | |
| 8 | | NSS | PSP SEAL | 1 | |
| 9 | | NSS | BACKUP | 2 | |
| 10 | | NSS | O-RING | 1 | |
| 11 | | NSS | O-RING | 1 | |
| 12 | | NSS | BACKUP | 1 | |
| 13 | | NSS | LOADED V-CUP | 1 | |
| 14 | | NSS | ROD WIPER | 1 | |
| 15 | | 287588001 | CYLINDER - 1-1/2 X 24 | | Inc. All Items In Figure |
| 15A | | 287588002 | SEAL KIT | | Inc. Ref. No's 8-14 |

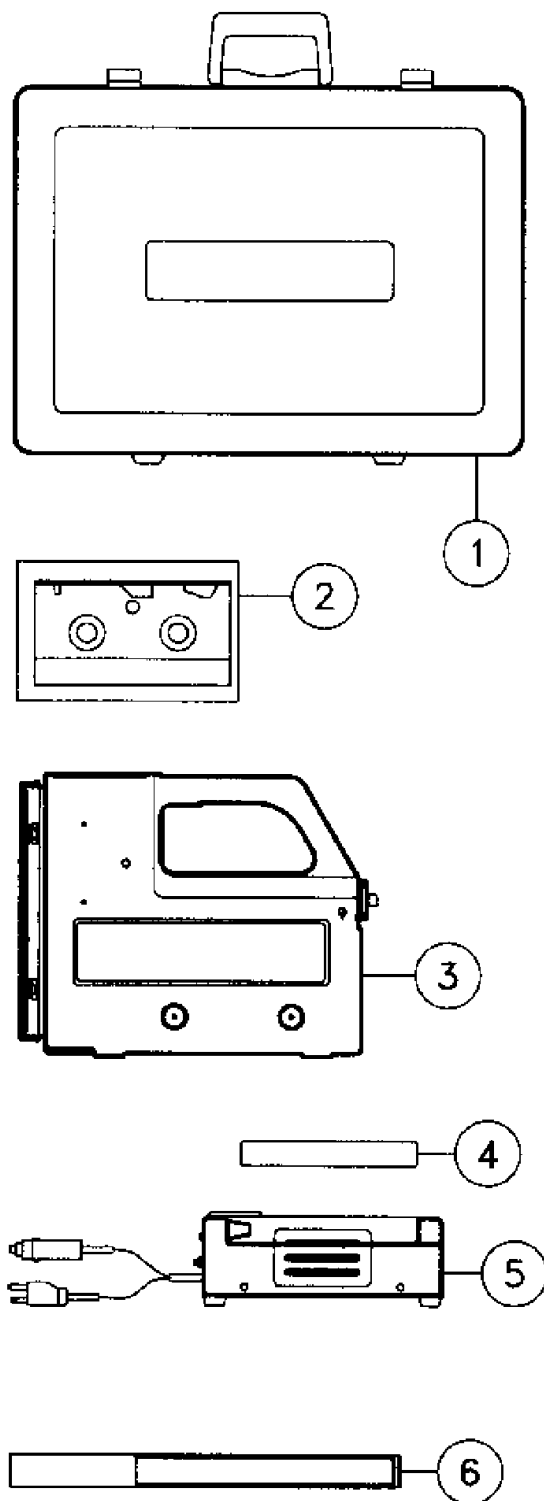
Lock Valve Components Fig 8-6



Lock Valve Components Fig 8-6

| REF. NO. | * | PART NO. | DESCRIPTION | QTY. | REMARKS |
|----------|---|----------|------------------|------|--|
| 1 | | 3216007 | PLUG-SEAT | 2 | |
| 2 | | NSS | O-RING | 2 | |
| 3 | | 3216009 | SPRING-CHECK | 2 | |
| 4 | | 3216011 | BALL | 2 | |
| 5 | | 3216013 | SEAT | 2 | |
| 6 | | NSS | O-RING | 2 | |
| 7 | | NSS | O-RING | 2 | |
| 8 | | NSS | WASHER-BACKUP | 2 | |
| 9 | | 3216015 | PISTON-D | 1 | |
| 10 | | NSS | HOUSING | 1 | |
| | | | | | |
| | | 3216003 | REPAIR KIT | | Include Two Each Of Ref No 2 & 6-8 |
| | | 3216005 | REBUILDING KIT-D | | Include Two Each Of Ref No's 1-8 & One Of Ref No 9 |
| | | 86668001 | VALVE-LOA-6-D | | Inc Ref No's 1-10 |

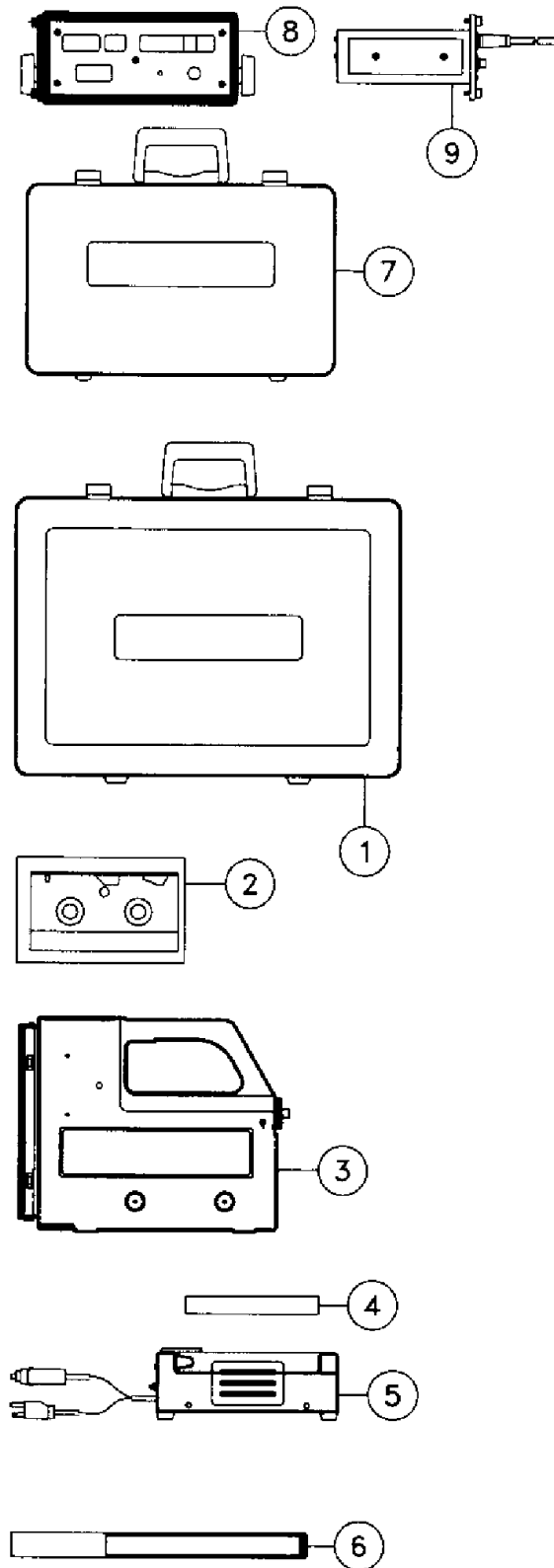
Location Package, MARK III - DIGITRAK - Dom & Int Fig 9-1



Location Package, MARK III - DIGITRAK - Dom & Int Fig 9-1

| REF. NO. | * | PART NO. | DESCRIPTION | QTY. | REMARKS |
|----------|---|-----------|--------------------------------|------|------------------|
| | | | Figure 9-1 International | | |
| 1 | | 213389011 | DIGITRAK CARRYING CASE | 1 | |
| 2 | | 231990001 | DIGITRAK OP. MAN. TRAIN VIDEO | 1 | |
| 3 | | 231991001 | DIGITRAK RECEIVER-ENGLISH/METR | 1 | |
| 4 | | 213389009 | DIGITRAK BATTERY PACK | 2 | |
| 5 | | 213389007 | DIGITRAK SMART CHARGER115/230V | 1 | |
| 6 | | 221806001 | SONDE-15' BLUE | 1 | |
| | | 213389005 | SONDE - 30' YELLOW | 1 | |
| | | 221643001 | SONDE-50' RED | 1 | |
| | | 226196001 | SONDE-50' RED (4-BATT.) | 1 | |
| | | 213086001 | O-RING #122 | 3 | |
| | | 231212001 | DIGITRAK STD.LOCATOR(US/CAN) | | Inc Ref No's 1-5 |

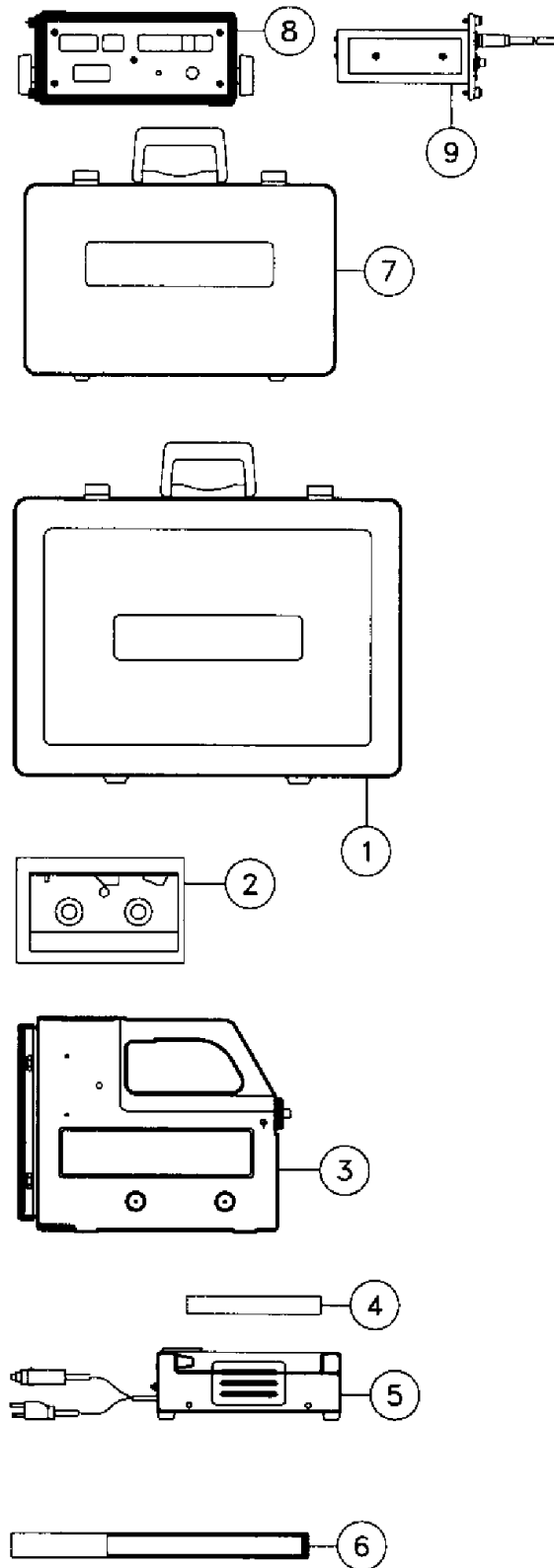
Location Package, MARK III - DIGITRAK (W/Remote Display) Dom Fig 9-2



Location Package, MARK III - DIGITRAK (W/Remote Display) Dom Fig 9-2

| REF. NO. | * | PART NO. | DESCRIPTION | QTY. | REMARKS |
|----------|---|-----------|--------------------------------------|------|------------------------------|
| | | | Figure 9-2 Domestic | | |
| | | Note: [A] | Quantity Required For Standard Sonde | | |
| | | Note: [B] | Quantity Required For Cable Sonde | | |
| 1 | | 213389011 | DIGITRAK CARRYING CASE | 1 | [A] [B] |
| 2 | | 231990001 | DIGITRAK OP. MAN. TRAIN VIDEO | 1 | [A] [B] |
| 3 | | 231992001 | RECEIVER W/REMOTE ENGLISH/METR | 1 | [A] [B] |
| 4 | | 213389009 | DIGITRAK BATTERY PACK | 2 | [A] |
| 5 | | 213389007 | DIGITRAK SMART CHARGER115/230V | 1 | [A] |
| 6 | | 221806001 | SONDE-15' BLUE | 1 | [A] |
| | | 213389005 | SONDE-30' YELLOW | 1 | [A] |
| | | 221643001 | SONDE-50' RED | 1 | [A] |
| | | 226196001 | SONDE-50' RED (4-BATT.) | 1 | [A] |
| | | 226197001 | SONDE -50' .1P MAGENTA | 1 | [A] |
| | | 226198001 | SONDE-50' .1P MAGENTA (4-BATT.) | 1 | [A] |
| | | 226199001 | SONDE-100' CABLE GREEN | 1 | [B] |
| | | 226200001 | SONDE-100' CABLE .1P GREEN | 1 | [B] |
| | | 213086001 | O-RING #122 | 3 | [A] [B] |
| 7 | | 221658001 | REMOTE CARRYING CASE | 1 | [A] [B] |
| 8 | | 231993001 | DIGITRAK REMOTE DISPLAY | 1 | [A] [B] |
| | | 231994001 | REMOTE DISPLY FOR CABLE SONDE | 1 | [B] |
| 9 | | 226195001 | CABLE SONDE POWER SUPPLY | 1 | [B] |
| | | 231218001 | DCI REMOTE LOCATOR SYS(US/CAN) | | Inc Ref No's No's 1-5, 7 & 8 |
| | | 231221001 | DCI REM CABLE SONDE SYS(US/CAN) | | Inc Ref No's No's 1-3 & 7-9 |

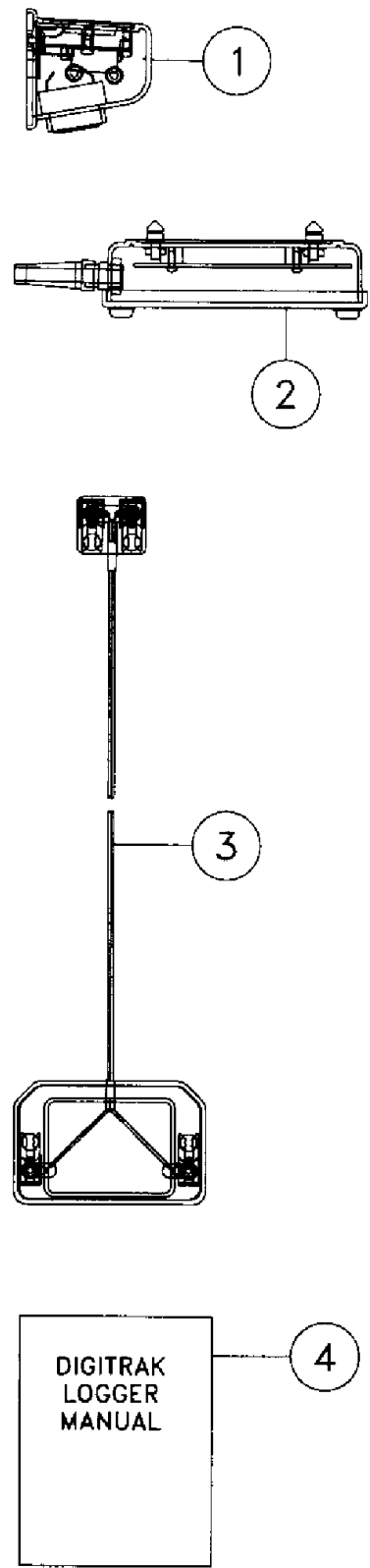
Location Package, MARK III - DIGITRAK (W/Remote Display) Int Fig 9-3



Location Package, MARK III - DIGITRAK (W/Remote Display) Int Fig 9-3

| REF. NO. | * | PART NO. | DESCRIPTION | QTY. | REMARKS |
|----------|---|-----------|--------------------------------------|------|-------------------------|
| | | | Figure 9-3, International | | |
| | | Note: [A] | Quantity Required For Standard Sonde | | |
| | | Note: [B] | Quantity Required For Cable Sonde | | |
| 1 | | 213389011 | DIGITRAK CARRYING CASE | 1 | [A] [B] |
| 2 | | 231990001 | DIGITRAK OP. MAN. TRAIN VIDEO | 1 | [A] [B] |
| 3 | | 231995001 | RECEIVER W/REMOTE FUNCTION AU | 1 | [A] [B] |
| | | 231996001 | RECEIVER W/REMOTE FUNCTION UK | 1 | [A] [B] |
| 4 | | 213389009 | DIGITRAK BATTERY PACK | 2 | [A] |
| 5 | | 213389007 | DIGITRAK SMART CHARGER115/230V | 1 | [A] |
| 6 | | 221806001 | SONDE-15' BLUE | 1 | [A] |
| | | 213389005 | SONDE-30' YELLOW | 1 | [A] |
| | | 221643001 | SONDE-50' RED | 1 | [A] |
| | | 226196001 | SONDE-50' ED (4 BATT.) | 1 | [A] |
| | | 226197001 | SONDE -50' .1P MAGENTA | 1 | [A] |
| | | 226198001 | SONDE-50' .1P MAGENTA (4-BATT.) | 1 | [A] |
| | | 226199001 | SONDE-100' CABLE GREEN | 1 | [B] |
| | | 226200001 | SONDE-100' CABLE .1P GREEN | 1 | [B] |
| | | 213086001 | O-RING #122 | 3 | [A] [B] |
| 7 | | 221658001 | REMOTE CARRYING CASE | 1 | [A] [B] |
| 8 | | 231997001 | REMOTE DISPLAY AU | 1 | [A] |
| | | 231998001 | REMOTE DISPLAY FOR CBLE SOND AU | 1 | [A] [B] |
| | | 231999001 | REMOTE DISPLAY UK | 1 | [A] |
| | | 238750001 | REMOTE DISPLAY FOR CABLE SOND UK | 1 | [A] [B] |
| 9 | | 226195001 | CABLE SONDE POWER SUPPLY | 1 | [A] |
| | | 231219001 | DCI REMOTE LOCATOR SYS (AU) | | Inc Ref No's 1-5, 7 & 8 |
| | | 231222001 | DCI REM CABLE SONDE SYS (AU) | | Inc Ref No's 1-3 & 7-9 |
| | | 231220001 | DCI REMOTE LOCATOR SYS (UK) | | Inc Ref No's 1-5, 7 & 8 |
| | | 231223001 | DCI REM CABLE SONDE SYS (UK) | | Inc Ref No's 1-3 & 7-9 |

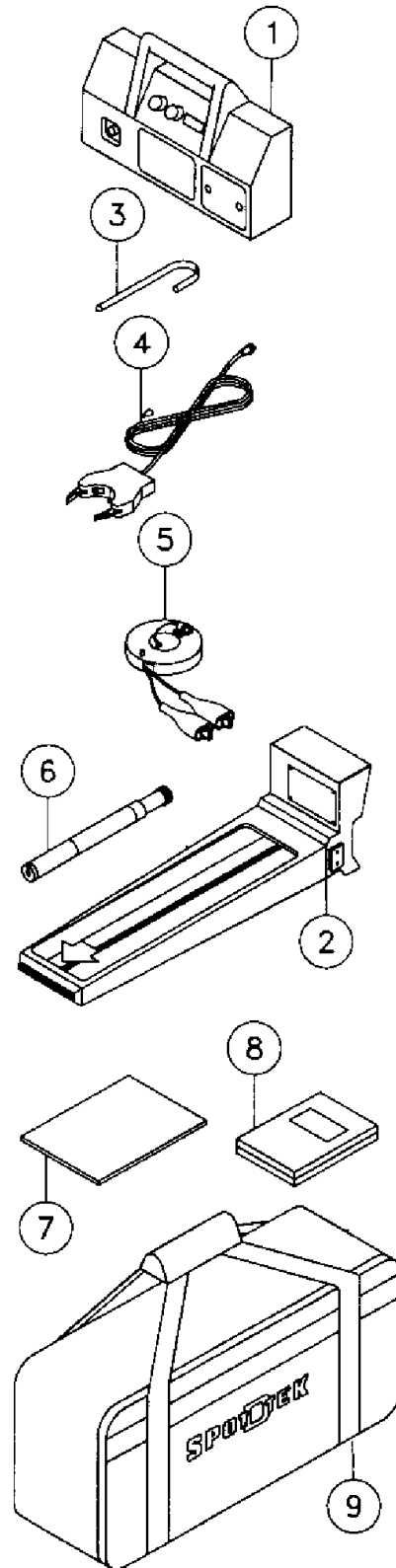
Data Logger, MARK III _ DIGITRAK Fig 9-4



Data Logger, MARK III _ DIGITRAK Fig 9-4

| REF. NO. | * | PART NO. | DESCRIPTION | QTY. | REMARKS |
|----------|---|-----------|--------------------------|------|--------------------|
| 1 | | 231224001 | DATA LOGGER MODULE | 1 | |
| 2 | | 231228001 | DATA-LOG/PC INTERFACE | 1 | Inc Ref No's 3 & 4 |
| 3 | | 238751001 | DATA LOG REAL TIME CABLE | 1 | |
| 4 | | 238752001 | DIGITRAK LOGGER MANUAL | 1 | |

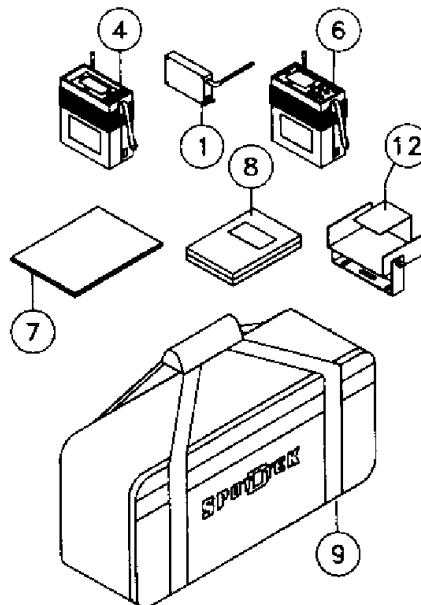
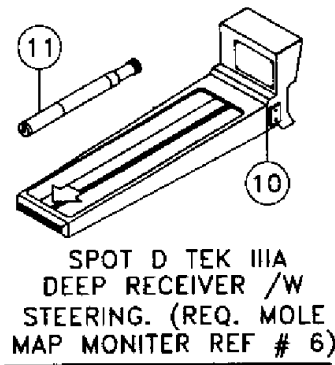
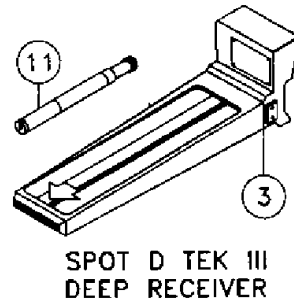
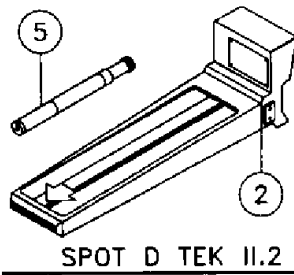
Location Package, SPOT D TEK II.2 Utility Fig 10-1



Location Package, SPOT D TEK II.2 Utility Fig 10-1

| REF. NO. | * | PART NO. | DESCRIPTION | QTY. | REMARKS |
|----------|---|-----------|----------------------------------|------|------------------|
| 1 | | 213900003 | TRANSMITTER FOR SPOT D TEK II | 1 | |
| | | 213900019 | SUNSCREEN FOR TRANSMITTER | 1 | |
| 2 | | 215941001 | RECEIVER II.2 | 1 | |
| 3 | | 213900013 | GROUND STAKE-SPOT D TEK II | 1 | |
| 4 | | 213900007 | EXTERNAL COIL - SPOT D TEK II | 1 | |
| 5 | | 213900015 | DIRECT CONNECTION CABLE | 1 | |
| 6 | | 215942001 | DIR. PROBE II.2 W/ BATTERRIES | 1 | |
| 7 | | 215938003 | OPERATIONAL MANUAL | 1 | |
| 8 | | 213900021 | VIDEO TAPE | 1 | |
| 9 | | 213900009 | CASE FOR SPOT D TEK II | 1 | |
| | | 215938001 | SPOT D TEK II.2 UTILITY LOC. PCK | | Inc Ref No's 1-9 |
| | | | ACCESSORIES | | |
| | | 213900023 | SUNSCREEN-RECEIVER/II.2 MONITOR | | |
| | | 213900025 | RAINCOVER-RECEIVER | | |

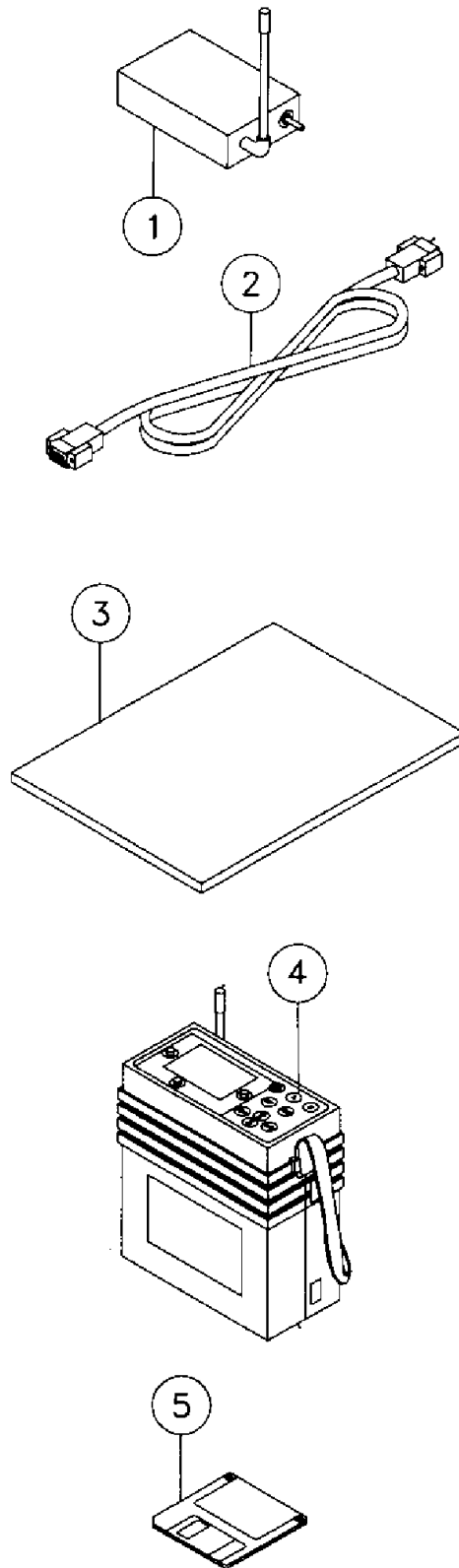
Location Package, SPOT D TEK II.2, III & IIIA Fig 10-2



Location Package, SPOT D TEK II.2, III & IIIA Fig 10-2

| REF. NO. | * | PART NO. | DESCRIPTION | QTY. | REMARKS |
|----------|---|-----------|---|------|-------------------------|
| 1 | | 213902005 | WIRELESS TRANSMITTER | 1 | |
| 2 | | 215941001 | RECEIVER II.2 | 1 | |
| 3 | | 231197003 | RECEIVER-III | 1 | |
| 4 | | 215943001 | WIRELESS MONITOR II.2 | 1 | |
| 5 | | 215942001 | DIR.PROBE II.2 | 1 | |
| 6 | | 231109001 | MONITOR - MOLE MAP | 1 | |
| 7 | | 215938003 | OPERATIONAL MANUAL | 1 | |
| 8 | | 215940003 | VIDEO TAPE-INSTRUCTIONAL | 1 | Locating W/Probes |
| 9 | | 213900009 | CASE FOR SPOT D TEK II | 1 | |
| 10 | | 231111003 | RECEIVER-IIIA | 1 | |
| 11 | | 231110001 | SPOT-D-TEK DEEP SONDE | 1 | |
| 12 | | 244935001 | HOLDER ASSY.-REMOTE MONITOR | 1 | |
| | | 215940001 | SPOTDTEK II.2 REMOTE MON. PKG. | | Inc Ref No's 1 & 4 |
| | | 215939001 | SPOTDTEK II.2 DIRECT.BORE PKG. | | Inc Ref No's 2, 5 & 7-9 |
| | | 231197001 | SPOT-D-TEK III DEEP RECEIVER | | Inc Ref No's 3 & 7-9 |
| | | 231111001 | SPOT-D-TEK IIIA DEEP REC W/REM (LOC094) | | Inc Ref No's 7-9 & 10 |
| | | | | | |
| | | | | | |
| | | | ACCESSORIES | | |
| | | | | | |
| | | 216871001 | ANTENNA-TRANSMITTER/MONITOR | | |
| | | 213900023 | SUNSCREEN-RECEIVER II.2 MONIT | | |
| | | 213900025 | RAINCOVER-RECEIVER | | |
| | | 213902011 | RAINCOVER-II.2 MONITOR | | |
| | | 238762001 | SUNSCREEN-MOLE MAP MONITOR | | |
| | | 238763001 | RAIN COVER-MOLE MAP MONITOR | | |

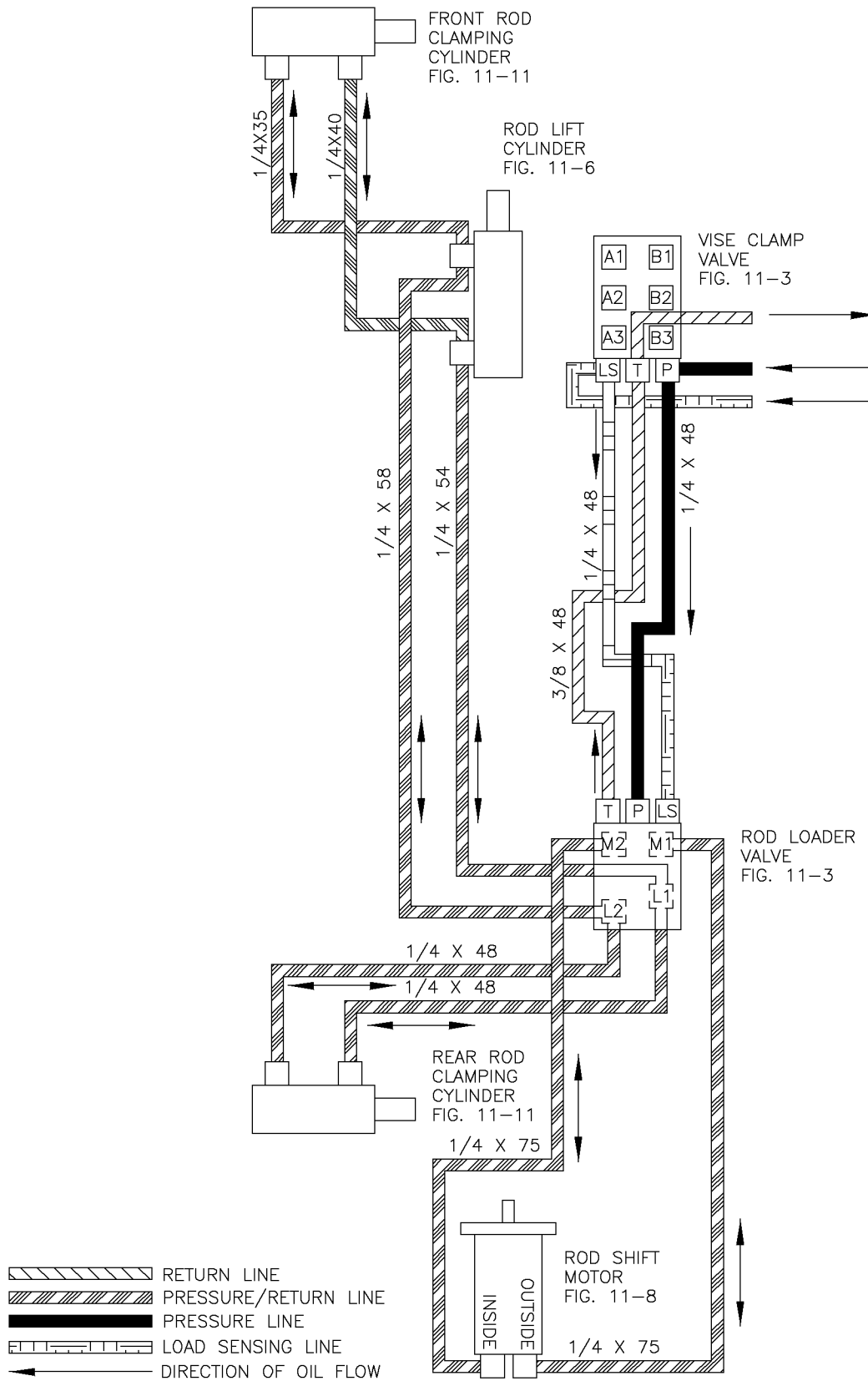
Location Package, SPOT D TEK Mole Mapping System Fig 10-3



Location Package, SPOT D TEK Mole Mapping System Fig 10-3

| REF. NO. | * | PART NO. | DESCRIPTION | QTY. | REMARKS |
|----------|---|-----------|-------------------------------|------|------------------|
| 1 | | 213902005 | WIRELESS TRANSMITTER | 1 | Inc Ref No 3 |
| 2 | | 231109005 | COMPUTER CORD | 1 | |
| 3 | | 231109007 | OPERATIONAL MANUAL | 1 | |
| 4 | | 231109001 | MONITOR-MOLE MAP | 1 | |
| 5 | | 231109003 | MAPPING SOFTWARE REPLACE DISK | 1 | |
| | | 231113001 | MAPPING SYSTEM COMPLETE | | Inc Ref No's 1-5 |
| | | | | | |
| | | | ACCESSORIES | | |
| | | | | | |
| | | 238763001 | RAIN COVER-MOLE MAP MONITOR | | |
| | | 238762001 | SUNSCREEN-MOLE MAP MONITOR | | |
| | | 216871001 | ANTENNA-TRANSMITTER/MONITOR | | |

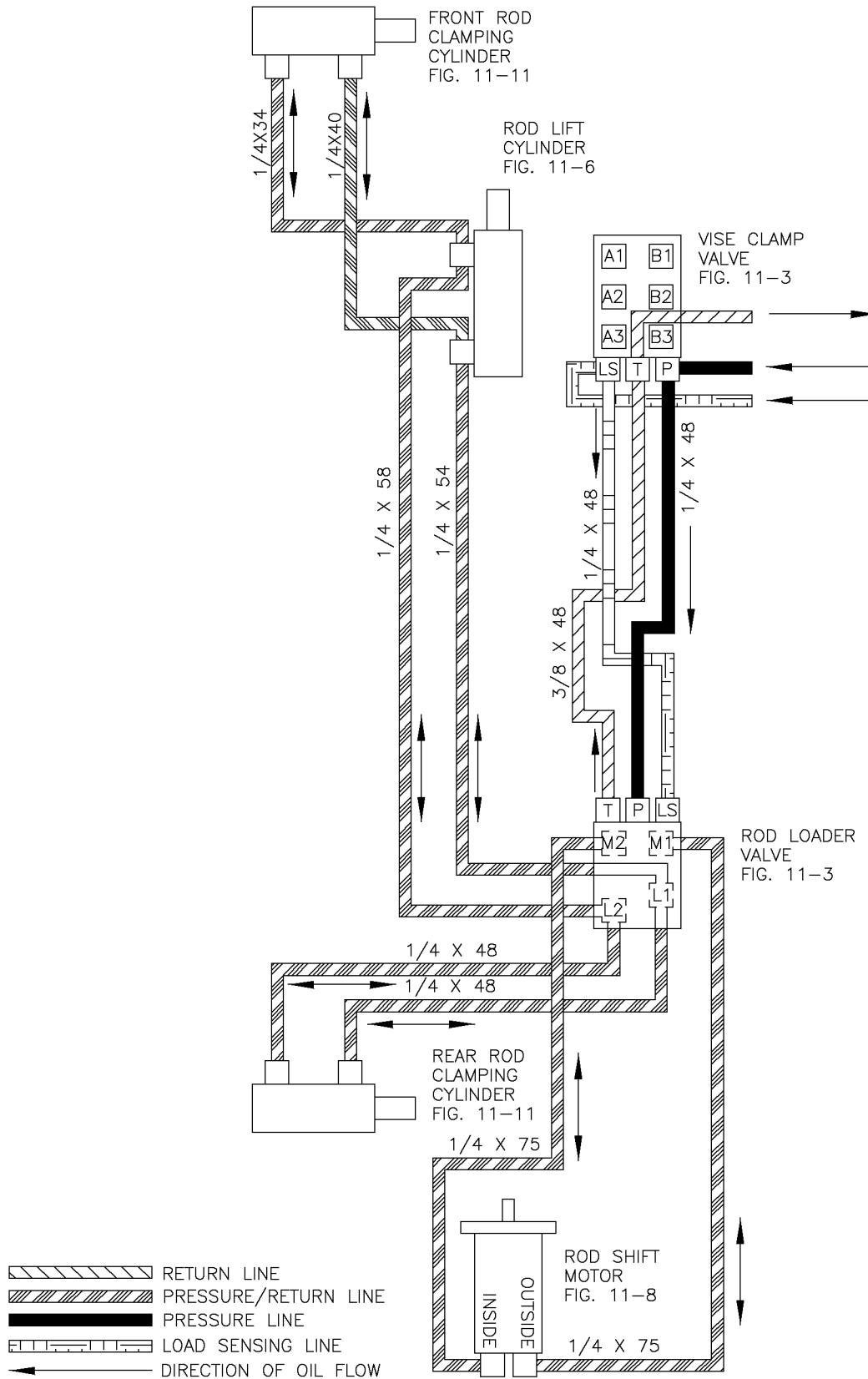
Hydraulic Flow Diagram - Rod Loader Fig 11-1r06



Hydraulic Flow Diagram - Rod Loader Fig 11-1r06

| REF. NO. | * | PART NO. | DESCRIPTION | QTY. | REMARKS |
|----------|---|---------------|-------------|------|-------------------------|
| | | Revision Date | May, 2006 | | Update In Illustration. |

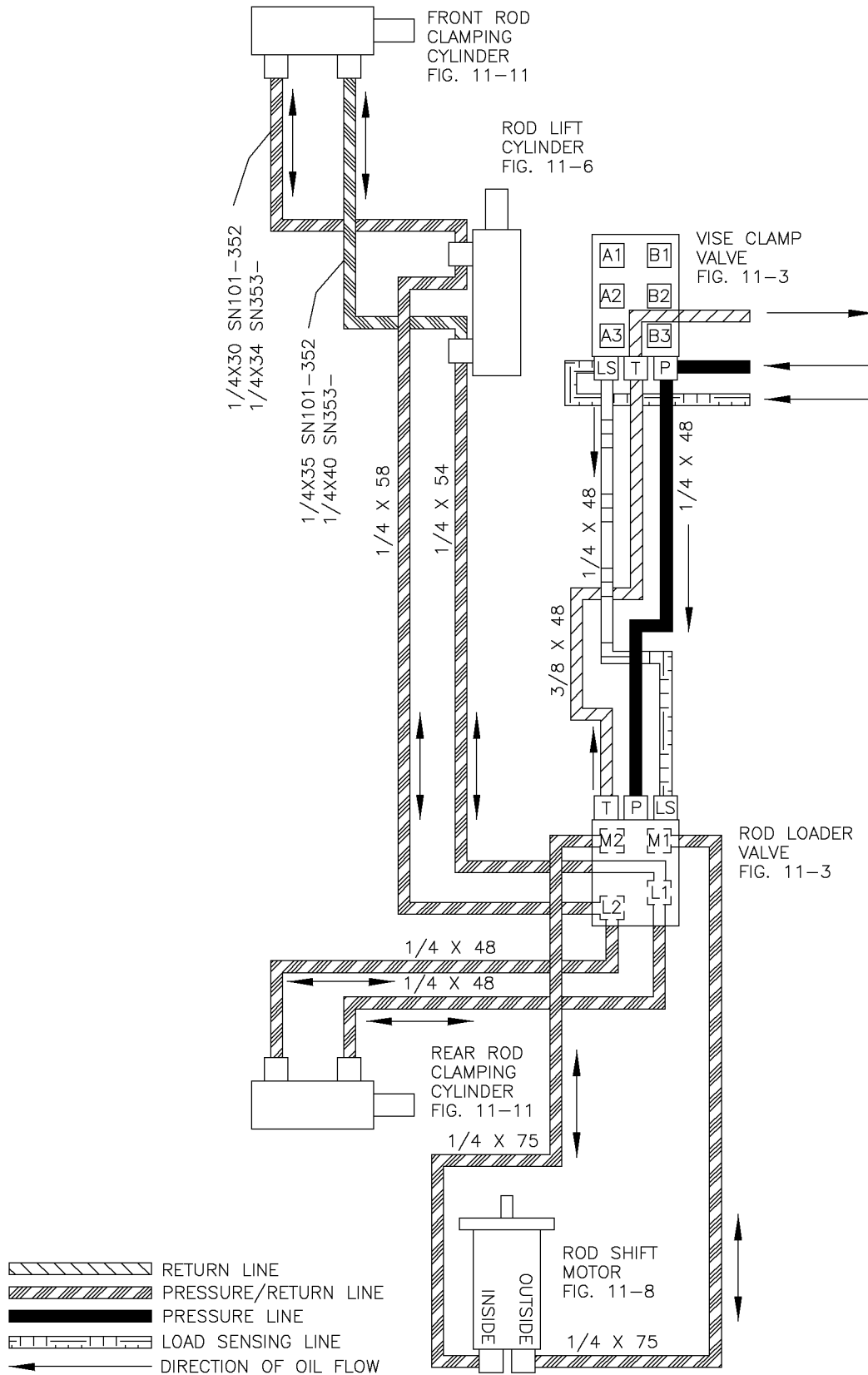
Hydraulic Flow Diagram - Rod Loader Fig 11-1r05



Hydraulic Flow Diagram - Rod Loader Fig 11-1r05

| REF. NO. | * | PART NO. | DESCRIPTION | QTY. | REMARKS |
|----------|---|---------------|-------------|------|--------------------------------------|
| | | Revision Date | May, 2005 | | Update In Illustration & Parts List. |

Hydraulic Flow Diagram - Rod Loader Fig 11-1r04

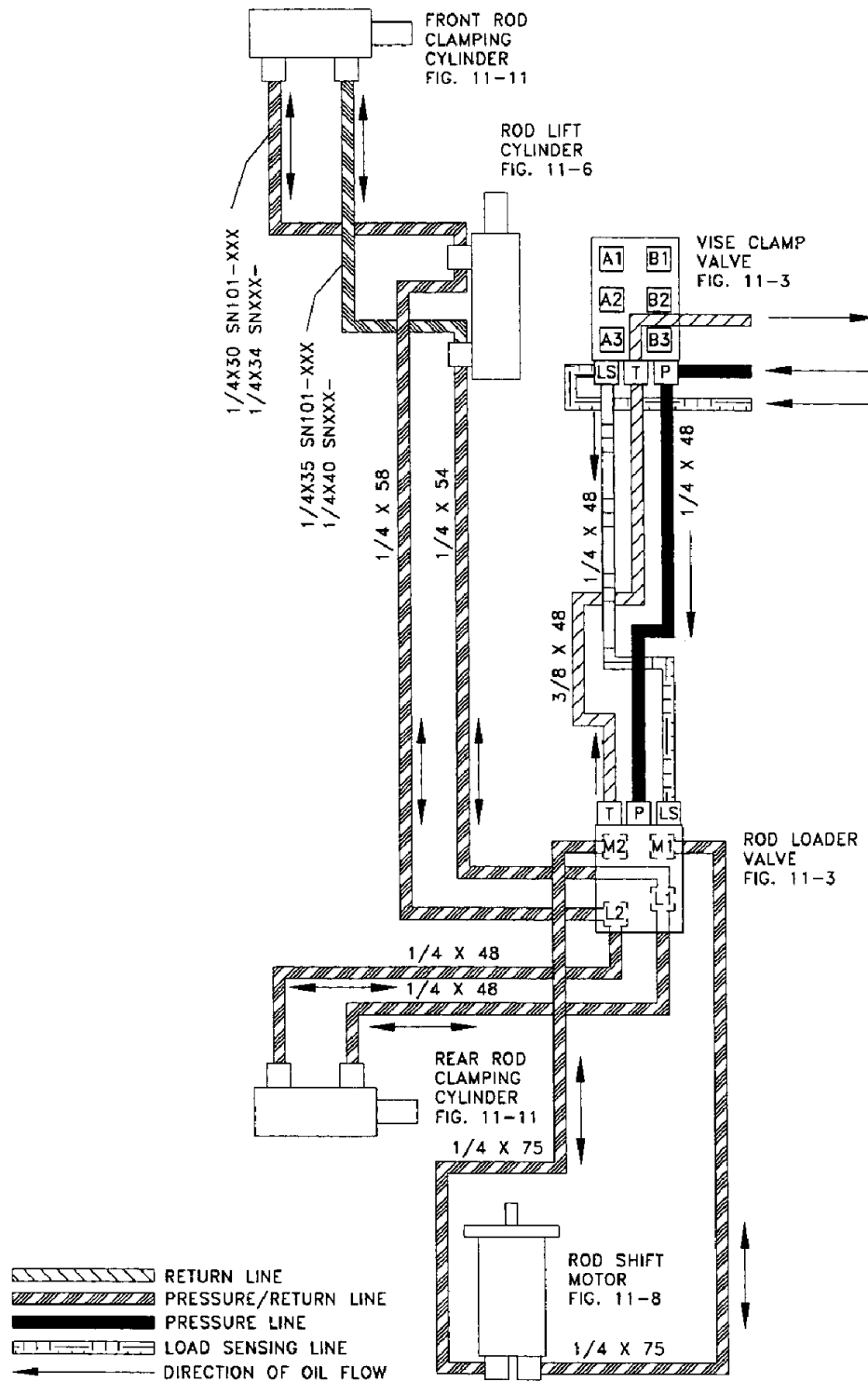


Hydraulic Flow Diagram - Rod Loader Fig 11-1r04

| REF. NO. | * | PART NO. | DESCRIPTION | QTY. | REMARKS |
|----------|---|---------------|-----------------|------|-------------------------|
| | | Revision Date | September, 2004 | | Update In Illustration. |

Hydraulic Flow Diagram - Rod Loader Fig 11-1r03

Revised August 1999 due to update in illustration.

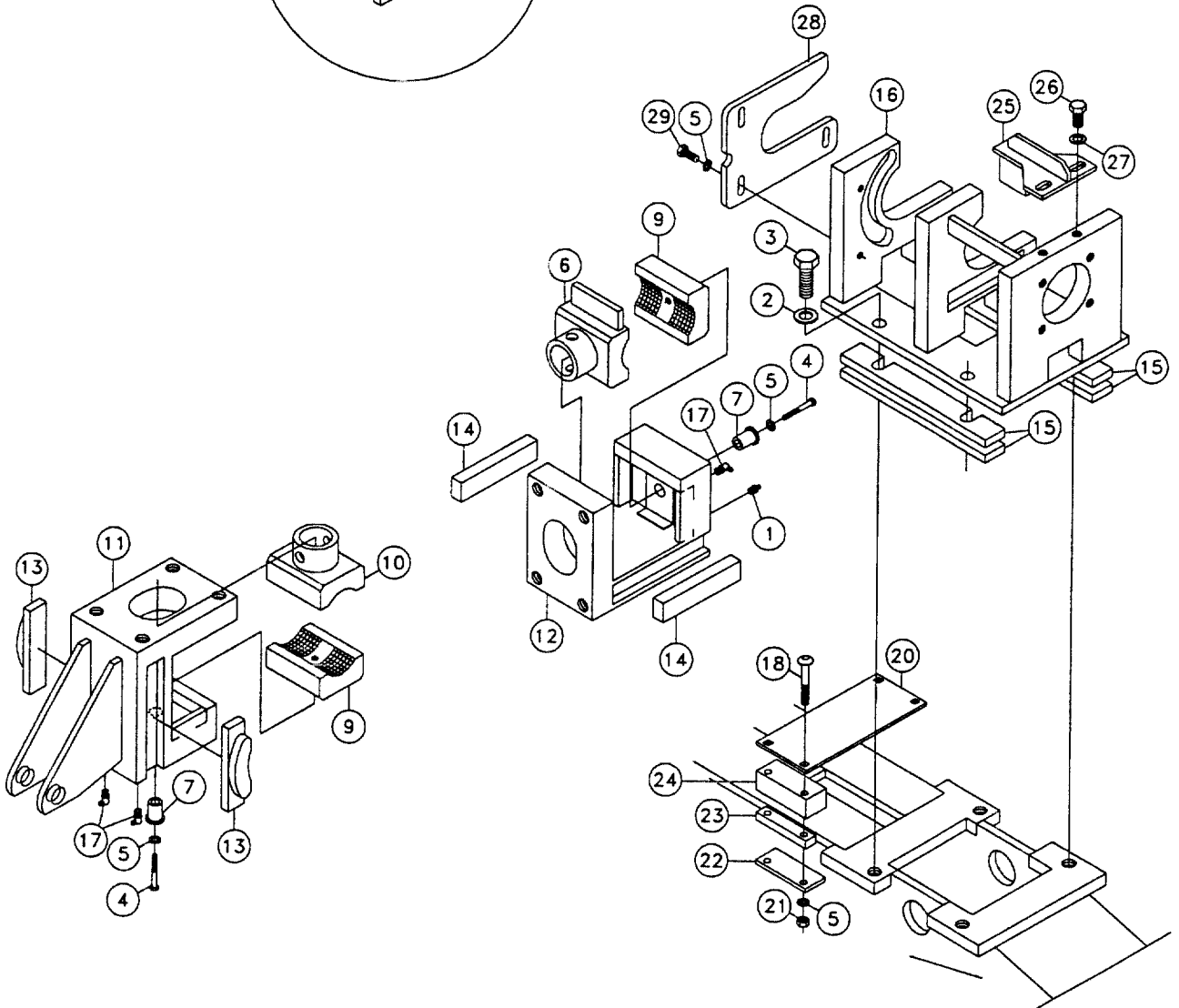
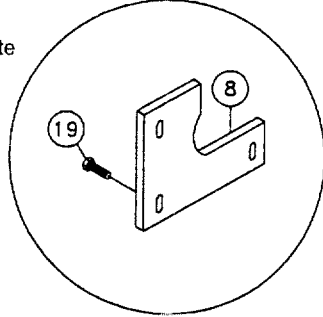


Hydraulic Flow Diagram - Rod Loader Fig 11-1r03

| REF. NO. | * | PART NO. | DESCRIPTION | QTY. | REMARKS |
|----------|---|---------------|--------------|------|-------------------------|
| | | Revision Date | August, 1999 | | Update In Illustration. |

Clamp Fig 11-2r03

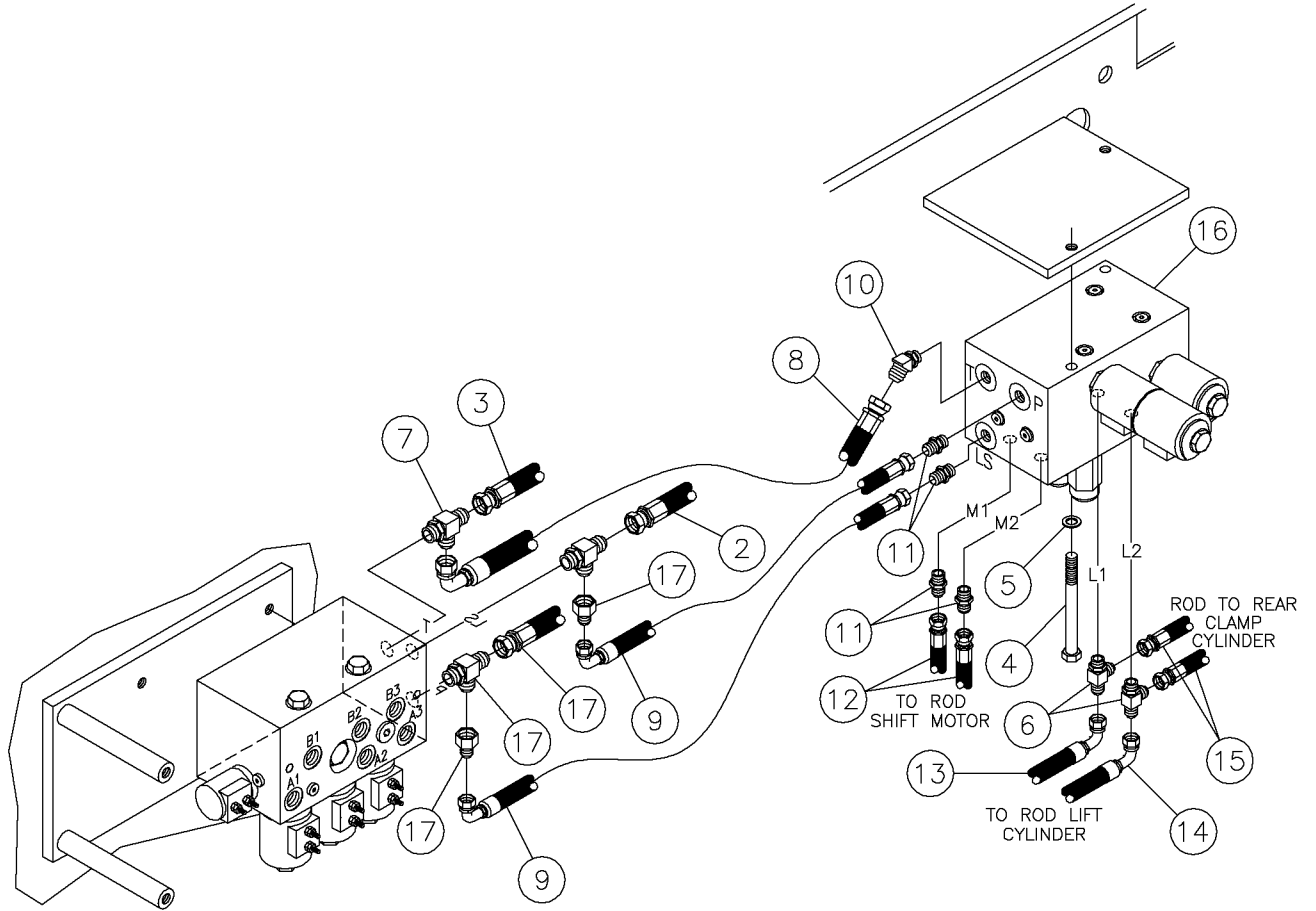
Revised January 2000 due to update in illustration.



Clamp Fig 11-2r03

| REF. NO. | * | PART NO. | DESCRIPTION | QTY. | REMARKS |
|----------|---|---------------|--------------------------------|------|------------------------|
| | | Revision Date | January, 2000 | | Update In Illustration |
| 1 | | 586001 | ZERK-1/8" ST NPT GREASE | 2 | |
| 2 | | 235717001 | WASHER-3/4 SAE HARD ZINC PLTD | 4 | |
| 3 | | 235746001 | BOLT-3/4-10X2 G48 HEX ZNC PLTD | 4 | |
| 4 | | 235720001 | BOLT-3/8-16X1 3/4 6R8 ZINC PLT | 2 | |
| 5 | | 235713001 | WASHER-3/8 SAE HARD ZINC PLTD | 9 | |
| 6 | | 250272001 | JAW 1.90 STEM | 1 | |
| 7 | | 228064001 | INSERT-FASTENER | 2 | |
| 8 | | 250254001 | PLATE-ROD CENTERING | 1 | |
| 9 | | 236111001 | JAW-1.90 STEM | 2 | |
| 10 | | 236112001 | JAW-1.90 STEM | 1 | |
| 11 | | 246386001 | PLATE-CLAMP | 1 | |
| 12 | | 235414001 | BAR-CLAMP | 1 | |
| 13 | | 232449001 | PIVOT-SLIDE | 2 | |
| 14 | | 232456001 | BAR SLIDE | 2 | |
| 15 | | 236110001 | PLATE-CLAMP SHIM | 2 | |
| 16 | | 250250001 | FRAME CLAMP WELDMENT | 1 | |
| 17 | | 590001 | ZERK-1/8" NPT 90 DEG GREASE | 2 | |
| 18 | | 375026 | BOLT CARRIAGE-3/8-16X2 3/4GR5 | 4 | |
| 19 | | 235736001 | BOLT-3/8-16X1 1/4 ZINC PLTD | 3 | |
| 20 | | 250345001 | PLATE-JOIN | 1 | |
| 21 | | 235725001 | NUT-3/8-16 GR8 ZINC PLTD | 4 | |
| 22 | | 250347001 | CLAMP-GEARBOX STOP | 2 | |
| 23 | | 250346001 | SPACER-GEARBOX STOP | 2 | |
| 24 | | 250344001 | BLOCK-GEARBOX STOP | 2 | |
| 25 | | 250374001 | CLAMP-CENTERING BLOCK | 1 | |
| 26 | | 235729001 | BOLT-1/2-13X1 GR8 HEX ZINC PLT | 2 | |
| 27 | | 485025 | WASHER-1/2 FLAT-HARDENED-ZINC | 2 | |
| 28 | | 282107001 | PLATE-ROD CENTERING | 1 | Replaces 250254001 |
| 29 | | 235727001 | BOLT-3/8-16X1 ZINC PLATED | 3 | Replaces 235736001 |

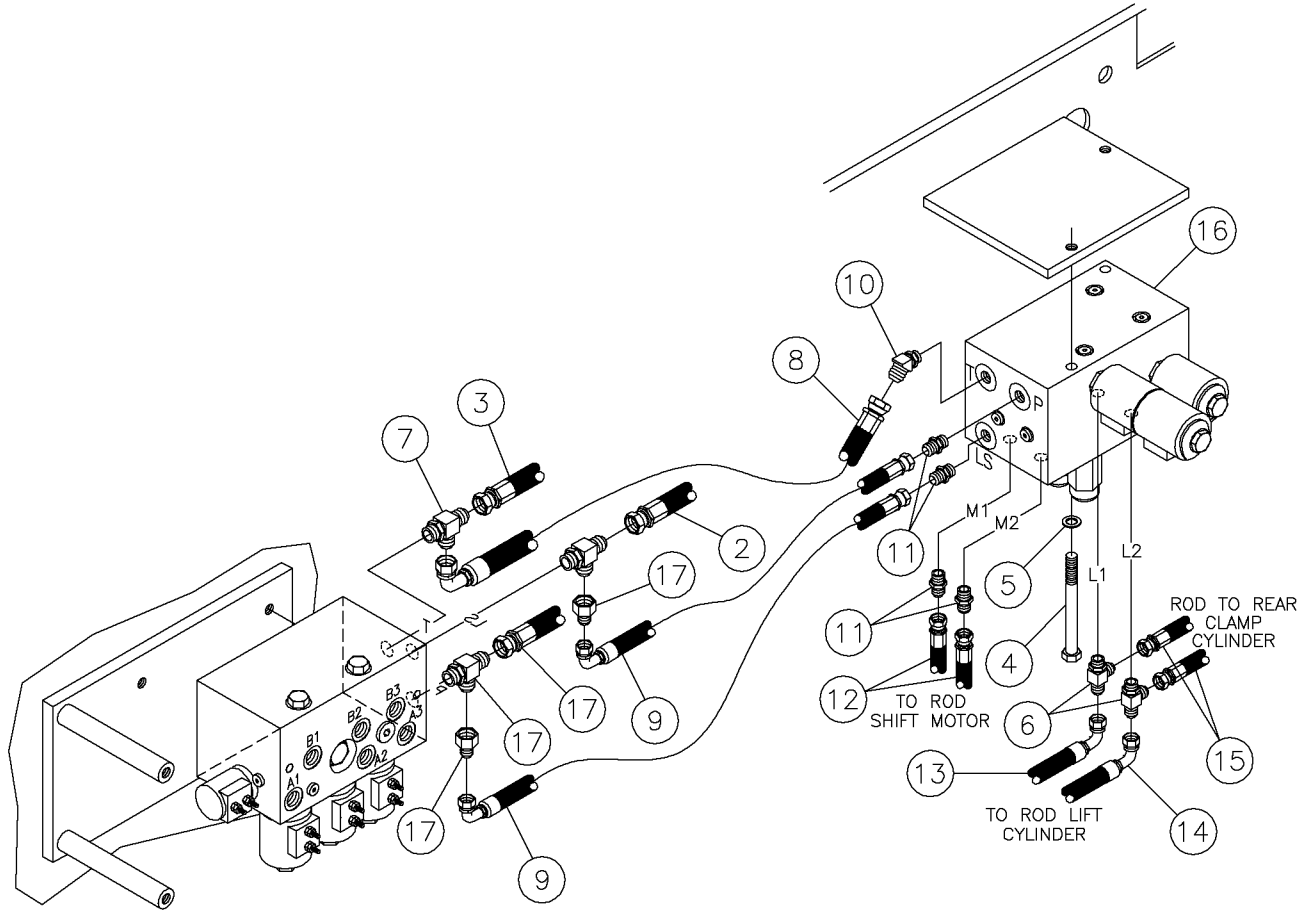
Rod Loader Fig 11-3r04



Rod Loader Fig 11-3r04

| REF. NO. | * | PART NO. | DESCRIPTION | QTY. | REMARKS |
|----------|---|---------------|---------------------------------------|------|-----------------------|
| | | Revision Date | May, 2005 | | Update In Parts List. |
| 1 | | 57940361 | HOSE-3/8X26 6FS JIC 2500 PSI | 1 | |
| 2 | | 68209027 | HOSE-3/8X64 6FS JIC (M2T) | 1 | |
| 3 | | 57940469 | HOSE-3/8X96 6FS JIC 3000 PSI | 1 | |
| 4 | | 238246001 | BOLT 3/8"-16 X 4 1/2" G48 HEX | 2 | |
| 5 | | 235713001 | WASHER-3/8 SAE HARD ZINC PLTD | 2 | |
| 6 | | 82930001 | FIT-6MX4M JICX4M JIC RUN TEE | 2 | |
| 7 | | 68774001 | FITTING-6MX6M JIC (RUN)X6M JIC | 3 | |
| 8 | | 250316001 | HOSE-3/8X48 6FS JIC ST/90 5000 | 1 | |
| 9 | | 296280297 | HOSE-1/4X48 4FS JIC ST/6FSJIC 90 5000 | 2 | |
| 10 | | 65563001 | 6M X 6M JIC 45 DEGREE | 1 | |
| 11 | | 57968001 | 6M O-RING 4M JIC STRAIGHT | 4 | |
| 12 | | 250306001 | HOSE-1/4X75 4FS JIC ST/45 5000 | 2 | |
| 13 | | 232124045 | HOSE-1/4X54 4FS JIC X 4FS JIC 90 | 1 | |
| 14 | | 278031001 | HOSE-1/4X58 4FSJIC ST/90 5000 | 1 | |
| 15 | | 241955001 | HOSE-1/4 X 48 4FS JIC ST/4FS JIC 45 | 2 | |
| 16 | | 282522001 | VALVE LOADER | 1 | Breakdown Fig 11-19 |
| 17 | | 59928001 | FITTING-6F JIC X 4M JIC ST RED. | 2 | |

Rod Loader Fig 11-3r03

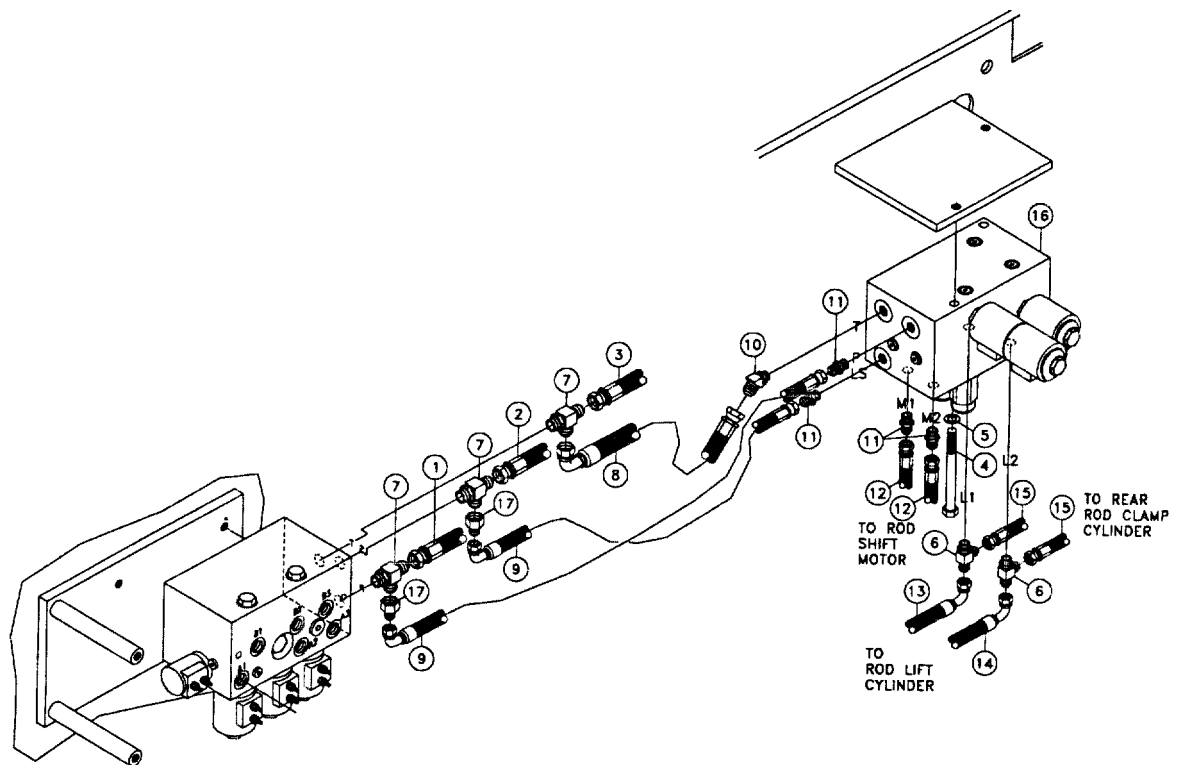


Rod Loader Fig 11-3r03

| REF. NO. | * | PART NO. | DESCRIPTION | QTY. | REMARKS |
|----------|---|---------------|----------------------------------|------|---|
| | | Revision Date | September, 2004 | | Update In Illustration. |
| 1 | | 57940361 | HOSE-3/8X26 6FS JIC 2500 PSI | 1 | |
| 2 | | 68209027 | HOSE-3/8X64 6FS JIC (M2T) | 1 | |
| 3 | | 57940469 | HOSE-3/8X96 6FS JIC 3000 PSI | 1 | |
| 4 | | 238246001 | BOLT 3/8"-16 X 4 1/2" G48 HEX | 2 | |
| 5 | | 235713001 | WASHER-3/8 SAE HARD ZINC PLTD | 2 | |
| 6 | | 82930001 | FIT-6MX4M JICX4M JIC RUN TEE | 2 | |
| 7 | | 68774001 | FITTING-6MX6M JIC (RUN)X6M JIC | 3 | |
| 8 | | 250316001 | HOSE-3/8X48 6FS JIC ST/90 5000 | 1 | |
| 9 | | 250304001 | HOSE-1/4X48 4FS JIC ST/90 5000 | 2 | |
| 10 | | 65563001 | 6M X 6M JIC 45 DEGREE | 1 | |
| 11 | | 57968001 | 6M O-RING 4M JIC STRAIGHT | 4 | |
| 12 | | 250306001 | HOSE-1/4X75 4FS JIC ST/45 5000 | 2 | |
| 13 | | 232124045 | HOSE-1/4X54 4FS JIC X 4FS JIC 90 | 1 | |
| 14 | | 278031001 | HOSE-1/4X58 4FSJIC ST/90 5000 | 1 | |
| 15 | | 232124041 | HOSE-1/4X48 4FSJIC ST/ST M3K | 2 | |
| 16 | | 246415001 | VALVE-LOADER | 1 | S/N 101-385 & 387-461, Breakdown Fig 11-4 |
| | * | 282522001 | VALVE LOADER | 1 | S/N 386, 462-, Breakdown Fig 11-19 |
| 17 | | 59928001 | FITTING-6F JIC X 4M JIC ST RED. | 2 | |

Rod Loader Fig 11-3r02

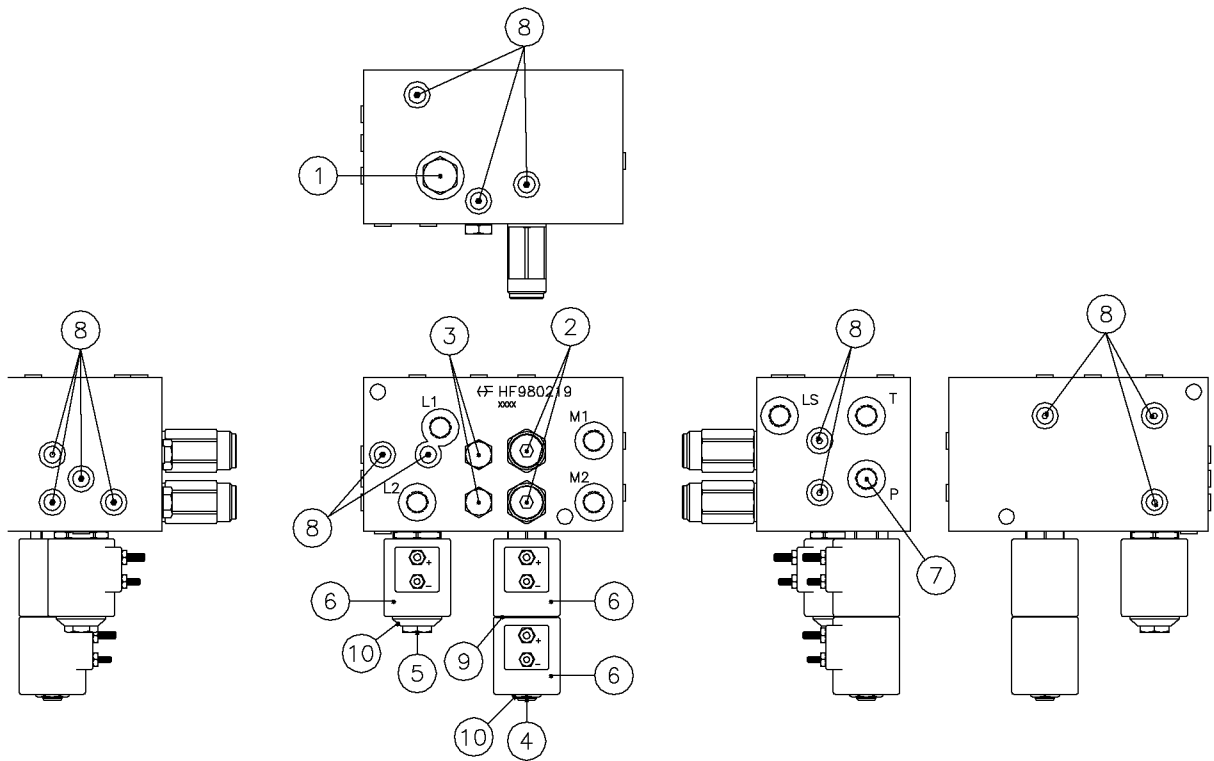
Revised January 2000 due to update
in parts list. Added part marked with *.



Rod Loader Fig 11-3r02

| REF. NO. | * | PART NO. | DESCRIPTION | QTY. | REMARKS |
|----------|---|---------------|----------------------------------|------|---|
| | | Revision Date | January, 2000 | | |
| 1 | | 57940361 | HOSE-3/8X26 6FS JIC 2500 PSI | 1 | |
| 2 | | 68209027 | HOSE-3/8X64 6FS JIC (M2T) | 1 | |
| 3 | | 57940469 | HOSE-3/8X96 6FS JIC 3000 PSI | 1 | |
| 4 | | 238246001 | BOLT 3/8"-16 X 4 1/2" G48 HEX | 2 | |
| 5 | | 235713001 | WASHER-3/8 SAE HARD ZINC PLTD | 2 | |
| 6 | | 82930001 | FIT-6MX4M JICX4M JIC RUN TEE | 2 | |
| 7 | | 68774001 | FITTING-6MX6M JIC (RUN)X6M JIC | 3 | |
| 8 | | 250316001 | HOSE-3/8X48 6FS JIC ST/90 5000 | 1 | |
| 9 | | 250304001 | HOSE-1/4X48 4FS JIC ST/90 5000 | 2 | |
| 10 | | 65563001 | 6M X 6M JIC 45 DEGREE | 1 | |
| 11 | | 57968001 | 6M O-RING 4M JIC STRAIGHT | 4 | |
| 12 | | 250306001 | HOSE-1/4X75 4FS JIC ST/45 5000 | 2 | |
| 13 | | 232124045 | HOSE-1/4X54 4FS JIC X 4FS JIC 90 | 1 | |
| 14 | | 278031001 | HOSE-1/4X58 4FSJIC ST/90 5000 | 1 | |
| 15 | | 232124041 | HOSE-1/4X48 4FSJIC ST/ST M3K | 2 | |
| 16 | | 246415001 | VALVE-LOADER | 1 | S/N 101-385 & 387-461, Breakdown Fig 11-4 |
| | * | 282522001 | VALVE LOADER | 1 | S/N 386, 462-, Breakdown Fig 11-19 |
| 17 | | 59928001 | FITTING-6F JIC X 4M JIC ST RED. | 2 | |

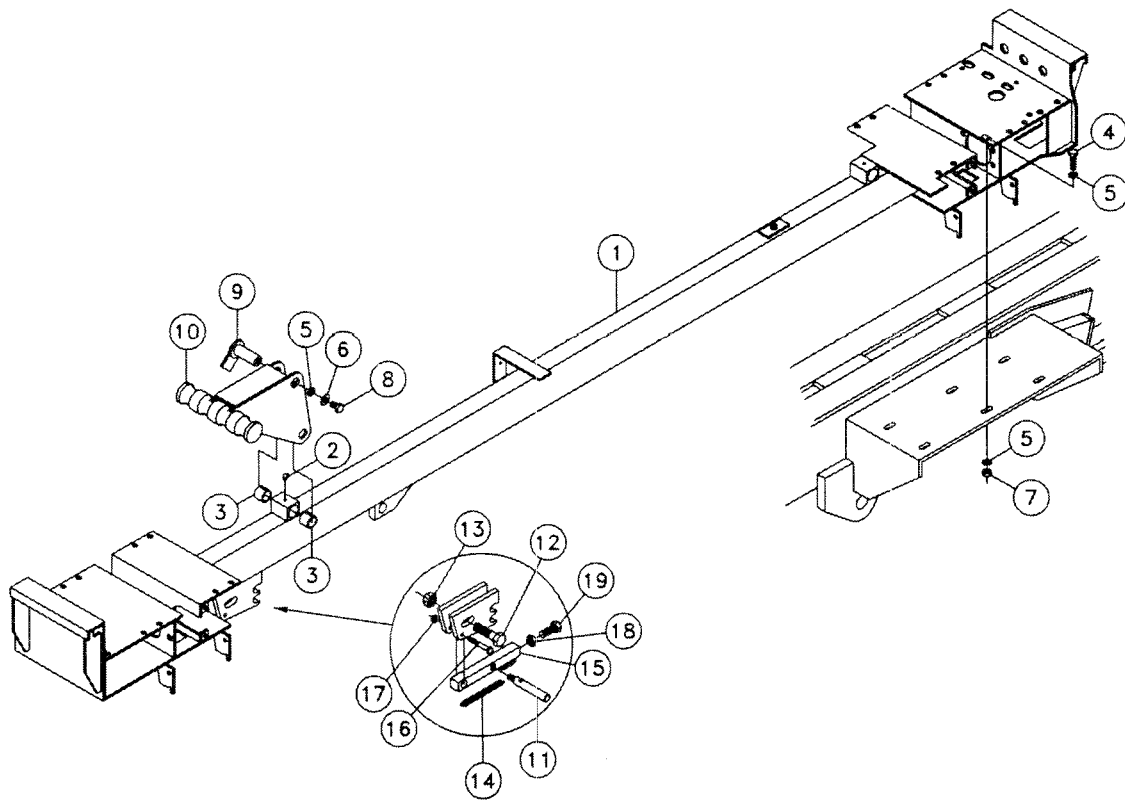
Loader Valve Components (S/N 101-385 387-461) Fig 11-4r04



Loader Valve Components (S/N 101-385 387-461) Fig 11-4r04

| REF. NO. | * | PART NO. | DESCRIPTION | QTY. | REMARKS |
|----------|---|---------------|------------------------------|------|------------------------------|
| | | Revision Date | June, 2000 | | |
| 1 | | 205737003 | CARTRIDGE - CHECK VALVE | 1 | |
| | | 246415003 | PILOT PISTON | 1 | |
| | | 228128009 | SEAL KIT | 1 | |
| 2 | * | 246415005 | VALVE-SEQUENCE | 2 | |
| | | 246415007 | SEAL KIT | 2 | |
| 3 | | 228128013 | SENSE CHECK | 2 | |
| | | 228128015 | SEAL KIT | 2 | |
| 4 | | 228129003 | CARTRIDGE - SOLENOID (CORR.) | 1 | Include Seal Kit & Nut |
| | | 206271007 | REPAIR KIT | 1 | |
| 5 | | 228128003 | CARTRIDGE-SOLENOID | 1 | Include Seal Kit & Nut |
| | | 206271007 | REPAIR KIT | 1 | |
| 6 | | 240983001 | COIL-10 DV 12 VDC | 3 | |
| 7 | | 240326003 | PLUG-ORIFICE | 1 | |
| 8 | | 240324015 | PLUG-SAE | 15 | |
| | | 240324017 | SEAL-KIT | 15 | |
| 9 | | 228129007 | SPACER | 1 | |
| 10 | | 224886007 | NUT | 3 | |
| | | | | | |
| | | 246415001 | VALVE-LOADER | | Includes All Items In Figure |

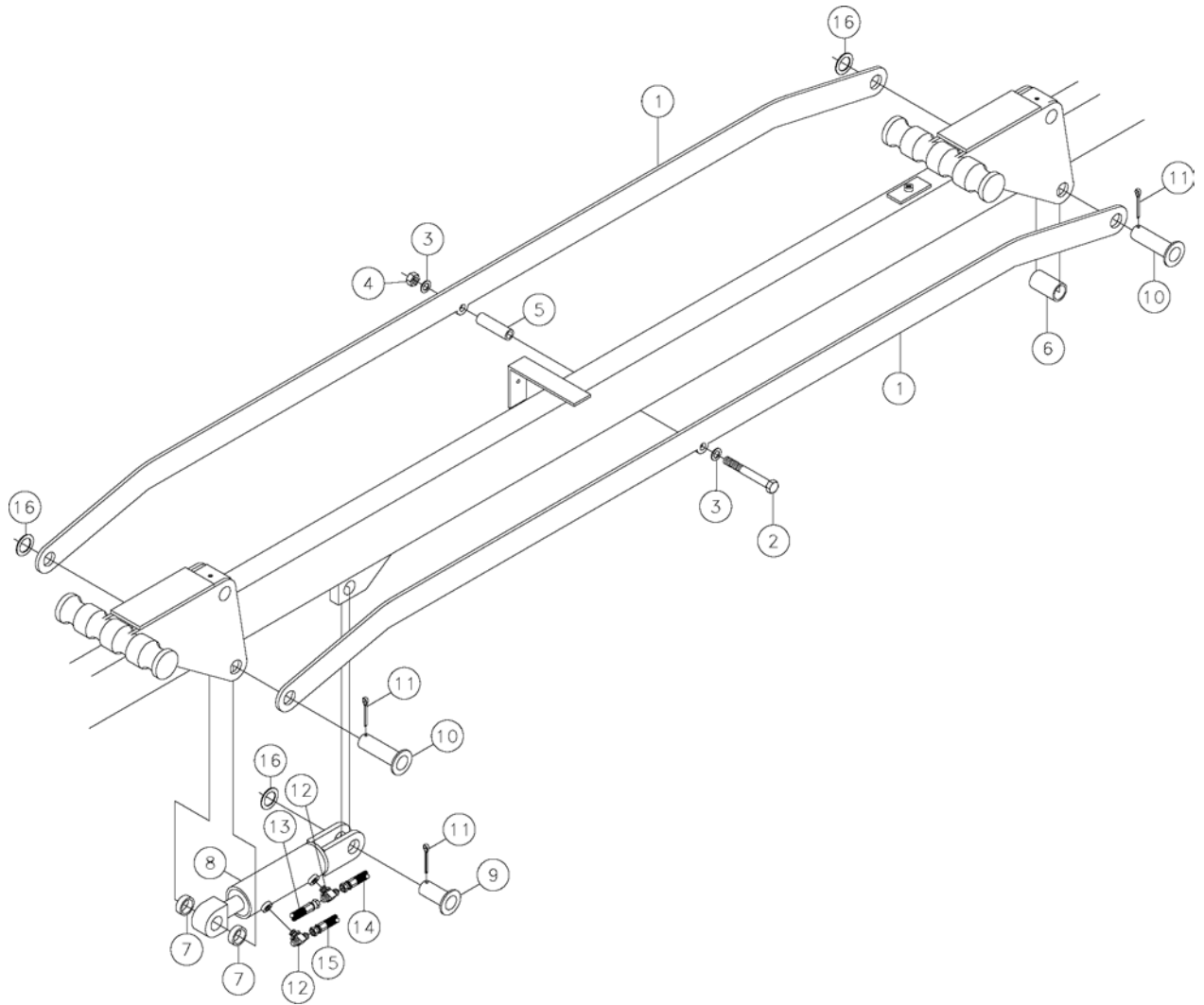
Rod Loader Frame Fig 11-5r02



Rod Loader Frame Fig 11-5r02

| REF. NO. | * | PART NO. | DESCRIPTION | QTY. | REMARKS |
|----------|---|---------------|---------------------------------|------|--|
| | | Revision Date | July, 1999 | | |
| 1 | | 246391003 | FRAME ASSY- ROD LOADER | 1 | Include Two Of Ref No 2 & Four Of Ref No 3 |
| 2 | | 597001 | ZERK-1/4" NF 90 DEG GREASE | 2 | |
| 3 | | 1835015 | BSHG.-STL.-1 1/4 X 1 X 1 | 4 | |
| 4 | | 235721001 | BOLT-1/2-13X1 1/2 GR8 ZINC PLT | 6 | |
| 5 | | 485025 | WASHER-1/2 FLAT-HARDENED-ZINC | 14 | |
| 6 | | 485011 | WASHER-1/2 FLAT | 2 | |
| 7 | | 235731001 | NUT-1/2-13 GR8 ZINC PLTD | 6 | |
| 8 | | 235729001 | BOLT-1/2-13X1 GR8 HEX ZINC PLT | 2 | |
| 9 | | 246387001 | PIN-PIVOT ARM | 2 | |
| 10 | | 246392001 | ROD-LIFT ARM | 2 | |
| 11 | * | 250265001 | HANDLE-LIFT STOP | 1 | |
| 12 | * | 238242001 | BOLT-3/4"-10X3" GR 8 HEX Y/Z | 1 | |
| 13 | * | 250510001 | NUT-3/4 NC GR 8 SLTL Y/ZINC | 1 | |
| 14 | * | 1789015 | SPRING-EXT .#92 4 1/2" OA | 1 | |
| 15 | * | 246397001 | STOP-BAR | 1 | |
| 16 | * | 250529001 | BOLT-3/8-16X2 1/2" GR 8 HEX | 1 | |
| 17 | * | 250508001 | NUT-3/8-NC GR 8 TOP LOCK Y/ZINC | 1 | |
| 18 | * | 250514001 | NUT-5/8-NC JAM Y/ZINC | 1 | |
| 19 | | 238220001 | BOLT-5/8-11X1 3/4 GR 8 HEX ZYC | 1 | |

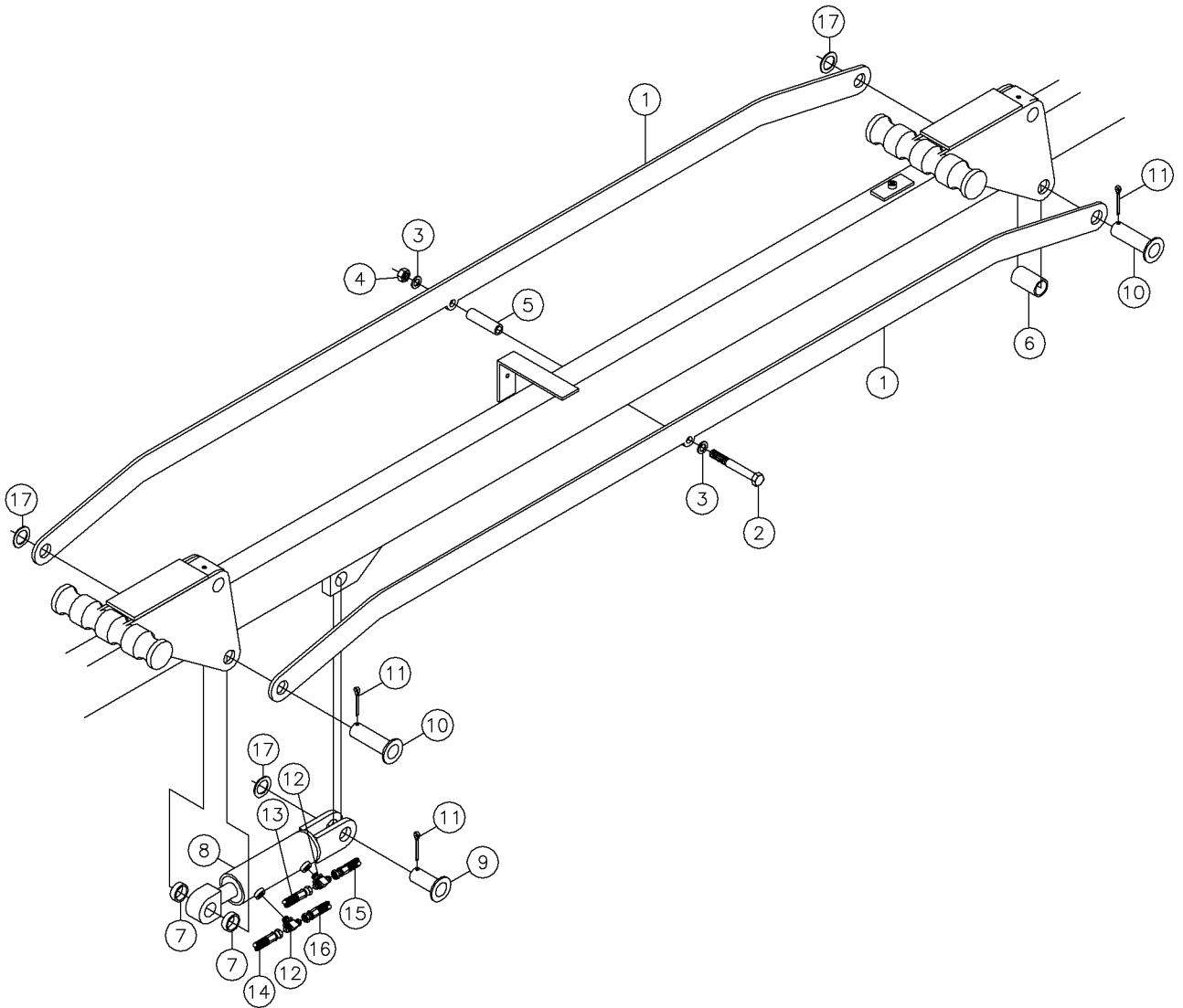
Rod Lift Cylinder Fig 11-6r04



Rod Lift Cylinder Fig 11-6r04

| REF. NO. | * | PART NO. | DESCRIPTION | QTY. | REMARKS |
|----------|---|---------------|---|------|--------------------------------|
| | | Revision Date | October,2005 | | Update In Illus. & Parts List. |
| 1 | | 246382001 | BAR-LINK | 2 | |
| 2 | | 238244001 | BOLT 1/2"-13 X 4" GR8 HEX Y/ZIN | 1 | |
| 3 | | 485025 | WASHER-1/2 FLAT-HARDENED-ZINC | 2 | |
| 4 | | 235731001 | NUT-1/2-13 GR8 ZINC PLTD | 1 | |
| 5 | | 250277001 | SPACER-LINK | 1 | |
| 6 | | 250279001 | SPACER-LINK | 1 | |
| 7 | | 250278001 | SPACER-LINK | 2 | |
| 8 | | 237498001 | CYLINDER-2 X 3 | 1 | Breakdown Fig 11-7 |
| 9 | | 1795015 | PIN-1X2 3/8 USEABLE L. 1 3/4" | 1 | |
| 10 | | 1795009 | CYL. PIN - 1" X 3 1/4" UL | 2 | |
| 11 | | 510023 | COTTER-PIN-3/16" X 1 3/4" | 3 | |
| 12 | | 250310001 | FITTING-#4 ST BRNCH TEEW/.078R | 2 | |
| 13 | | 296277304 | HOSE-HYD-.25X40-4FSJ-ST/45 3000 PSI M3K | 1 | |
| 14 | | 232124045 | HOSE-1/4X54 4FS JIC X 4FS JIC 90 | 1 | |
| 15 | | 278031001 | HOSE-1/4X58 4FSJIC ST/90 5000 | 1 | |
| 16 | | 483005 | WASHER-1 1/2X1X14 GA M.B. | 3 | |

Rod Lift Cylinder Fig 11-6r03

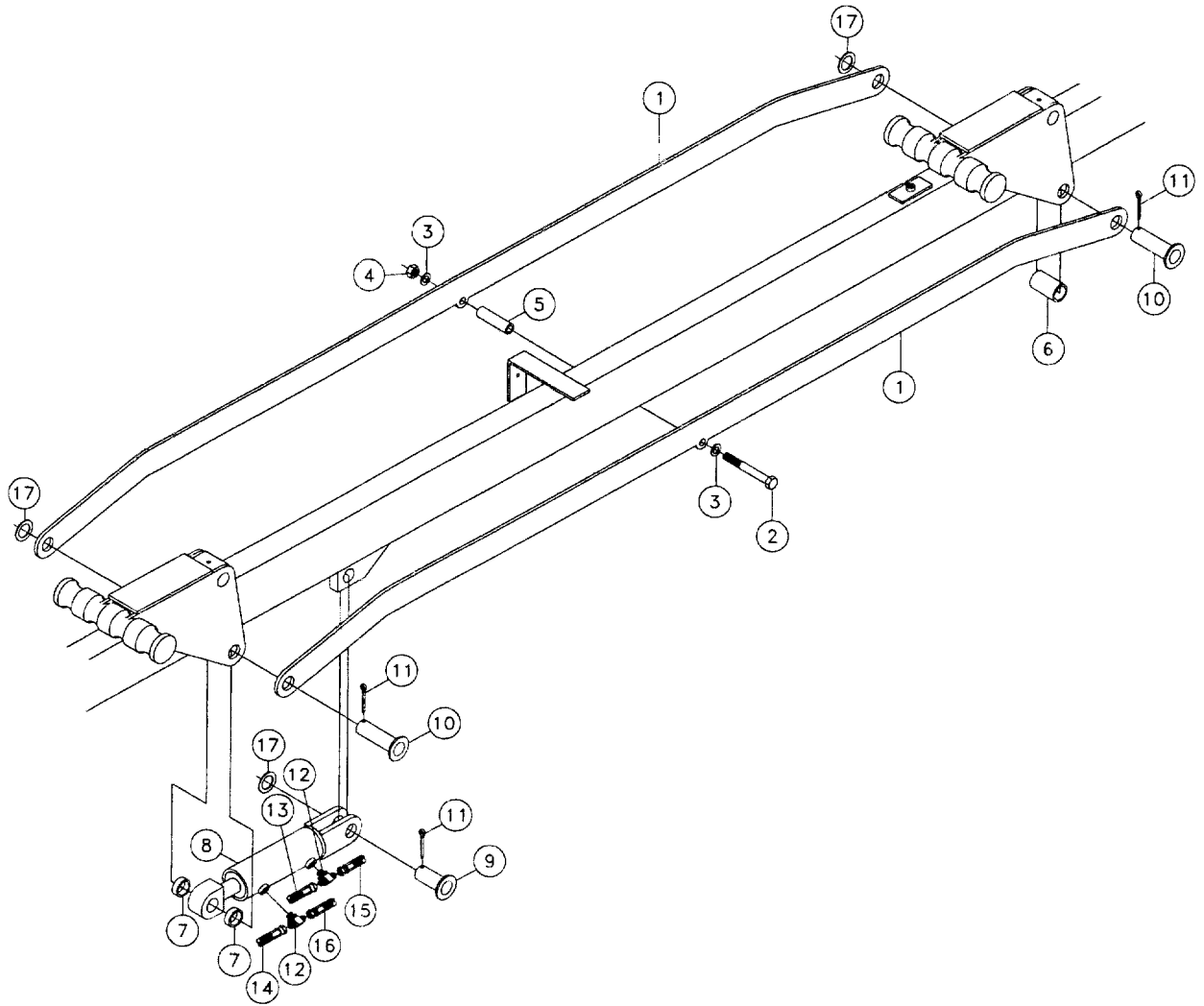


Rod Lift Cylinder Fig 11-6r03

| REF. NO. | * | PART NO. | DESCRIPTION | QTY. | REMARKS |
|----------|---|---------------|---|------|-----------------------|
| | | Revision Date | May, 2005 | | Update In Parts List. |
| 1 | | 246382001 | BAR-LINK | 2 | |
| 2 | | 238244001 | BOLT 1/2"-13 X 4" GR8 HEX Y/ZIN | 1 | |
| 3 | | 485025 | WASHER-1/2 FLAT-HARDENED-ZINC | 2 | |
| 4 | | 235731001 | NUT-1/2-13 GR8 ZINC PLTD | 1 | |
| 5 | | 250277001 | SPACER-LINK | 1 | |
| 6 | | 250279001 | SPACER-LINK | 1 | |
| 7 | | 250278001 | SPACER-LINK | 2 | |
| 8 | | 237498001 | CYLINDER-2 X 3 | 1 | Breakdown Fig 11-7 |
| 9 | | 1795015 | PIN-1X2 3/8 USEABLE L. 1 3/4" | 1 | |
| 10 | | 1795009 | CYL. PIN - 1" X 3 1/4" UL | 2 | |
| 11 | | 510023 | COTTER-PIN-3/16" X 1 3/4" | 3 | |
| 12 | | 250310001 | FITTING-#4 ST BRNCH TEEW/.078R | 2 | |
| 13 | | 296277304 | HOSE-HYD-.25X40-4FSJ-ST/45 3000 PSI M3K | 1 | |
| 14 | | 53843241 | HOSE-1/4X34 4FS JIC ST (3000) | 1 | |
| 15 | | 232124045 | HOSE-1/4X54 4FS JIC X 4FS JIC 90 | 1 | |
| 16 | | 278031001 | HOSE-1/4X58 4FSJIC ST/90 5000 | 1 | |
| 17 | | 483005 | WASHER-1 1/2X1X14 GA M.B. | 3 | |

Rod Lift Cylinder Fig 11-6r02

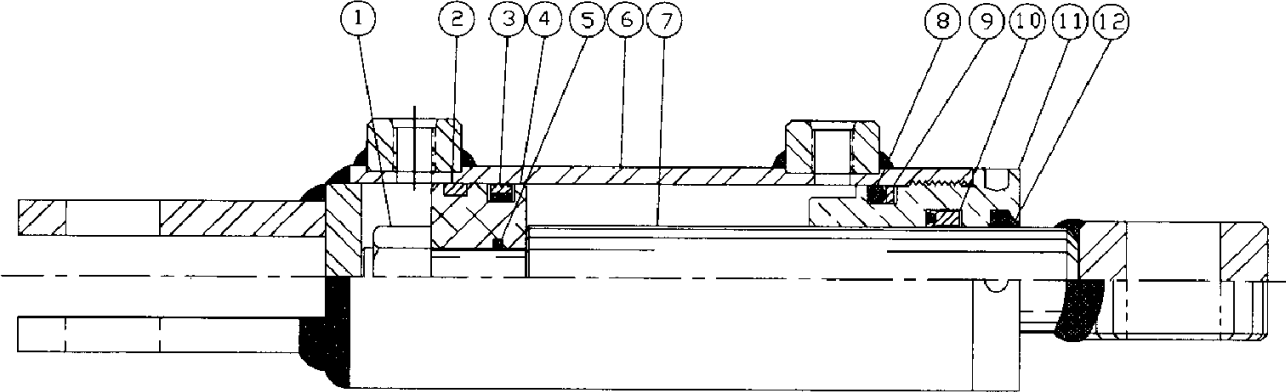
Revised January 2000 due to update
in parts list. Added parts marked with *.



Rod Lift Cylinder Fig 11-6r02

| REF. NO. | * | PART NO. | DESCRIPTION | QTY. | REMARKS |
|----------|---|---------------|----------------------------------|------|--------------------|
| | | Revision Date | January, 2000 | | |
| 1 | | 246382001 | BAR-LINK | 2 | |
| 2 | | 238244001 | BOLT 1/2"-13 X 4" GR8 HEX Y/ZIN | 1 | |
| 3 | | 485025 | WASHER-1/2 FLAT-HARDENED-ZINC | 2 | |
| 4 | | 235731001 | NUT-1/2-13 GR8 ZINC PLTD | 1 | |
| 5 | | 250277001 | SPACER-LINK | 1 | |
| 6 | | 250279001 | SPACER-LINK | 1 | |
| 7 | | 250278001 | SPACER-LINK | 2 | |
| 8 | | 237498001 | CYLINDER-2 X 3 | 1 | Breakdown Fig 11-7 |
| 9 | | 1795015 | PIN-1X2 3/8 USEABLE L. 1 3/4" | 1 | |
| 10 | | 1795009 | CYL. PIN - 1" X 3 1/4" UL | 2 | |
| 11 | | 510023 | COTTER-PIN-3/16" X 1 3/4" | 3 | |
| 12 | | 250310001 | FITTING-#4 ST BRNCH TEEW/.078R | 2 | |
| 13 | | 250317001 | HOSE-1/4X35 4FS JIC ST 5000PSI | 1 | S/N 101-352 |
| | * | 53843185 | HOSE-1/4X40 4FS JIC ST (3000) | 1 | S/N 353 |
| 14 | | 53843145 | HOSE-1/4X30 4FS JIC (100R2) | 1 | S/N 101-352 |
| | * | 53843241 | HOSE-1/4X34 4FS JIC ST (3000) | 1 | S/N 353 |
| 15 | | 232124045 | HOSE-1/4X54 4FS JIC X 4FS JIC 90 | 1 | |
| 16 | | 278031001 | HOSE-1/4X58 4FSJIC ST/90 5000 | 1 | |
| 17 | | 483005 | WASHER-1 1/2X1X14 GA M.B. | 3 | |

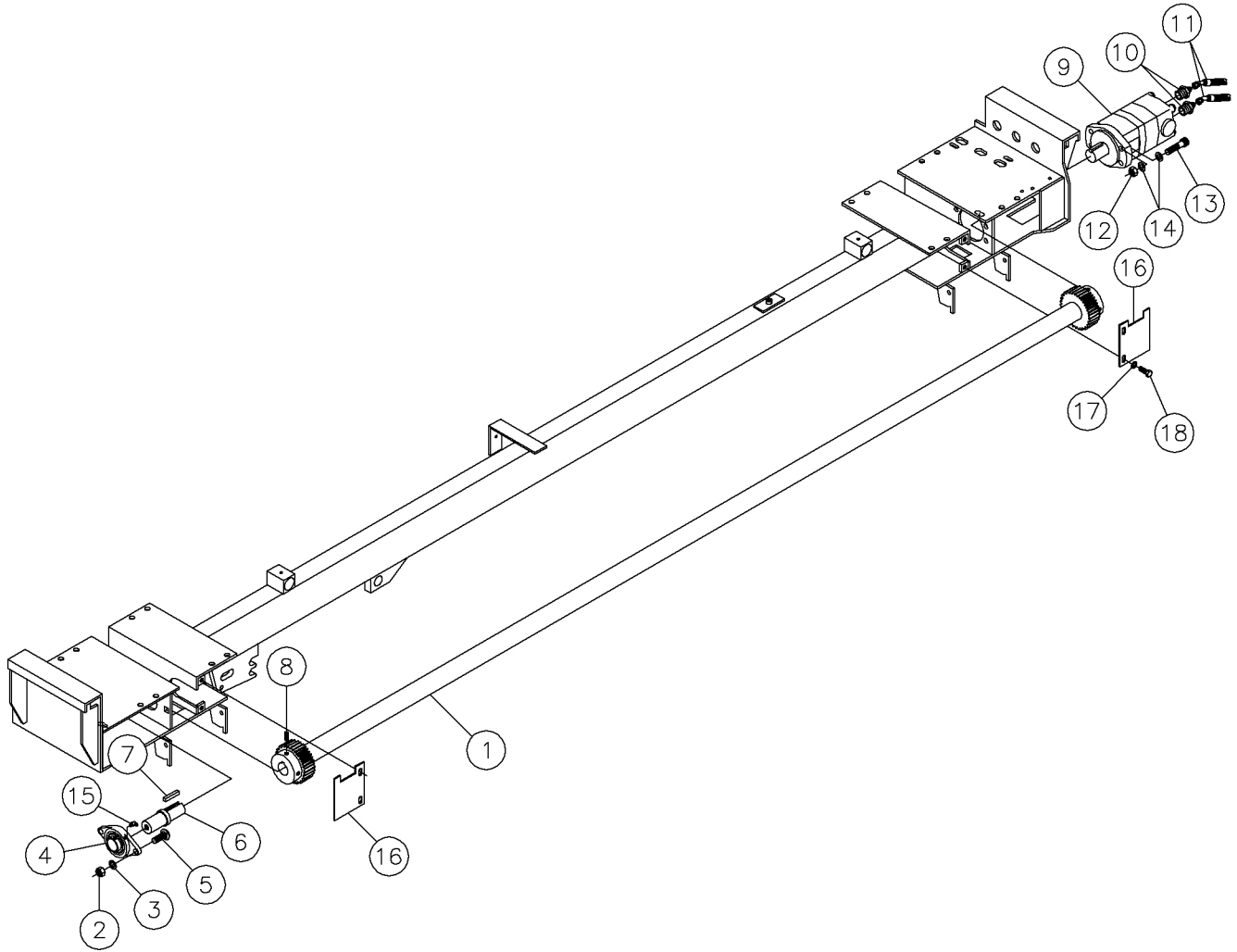
Cylinder Components - 2" X 3" Fig 11-7



Cylinder Components - 2" X 3" Fig 11-7

| REF. NO. | * | PART NO. | DESCRIPTION | QTY. | REMARKS |
|----------|---|-----------|----------------------|------|-------------------------------------|
| 1 | | 237498003 | LOCKNUT | 1 | |
| 2 | | 237498005 | WEAR RING | 1 | |
| 3 | | 237498007 | SEAL - PSP | 1 | |
| 4 | | 237498009 | PISTON - CYLINDER | 1 | |
| 5 | | 237498011 | O-RING | 1 | |
| 6 | | 237498013 | BODY - CYLINDER | 1 | |
| 7 | | 237498015 | ROD - PISTON | 1 | |
| 8 | | 237498017 | O-RING | 1 | |
| 9 | | 237498019 | WASHER - BACKUP | 1 | |
| 10 | | 237498021 | POLYPAK - (TYPE "B") | 1 | |
| 11 | | 237498023 | GLAND - NUT | 1 | |
| 12 | | 237498025 | WIPER - ROD | 1 | |
| | | | | | |
| | | 237498027 | SEAL KIT | | Inc Ref No's 2, 3, 5, 8, 9, 10 & 12 |
| | | | | | |
| | | 237498001 | CYLINDER-2 X 3 | | Includes All Items In Figure |

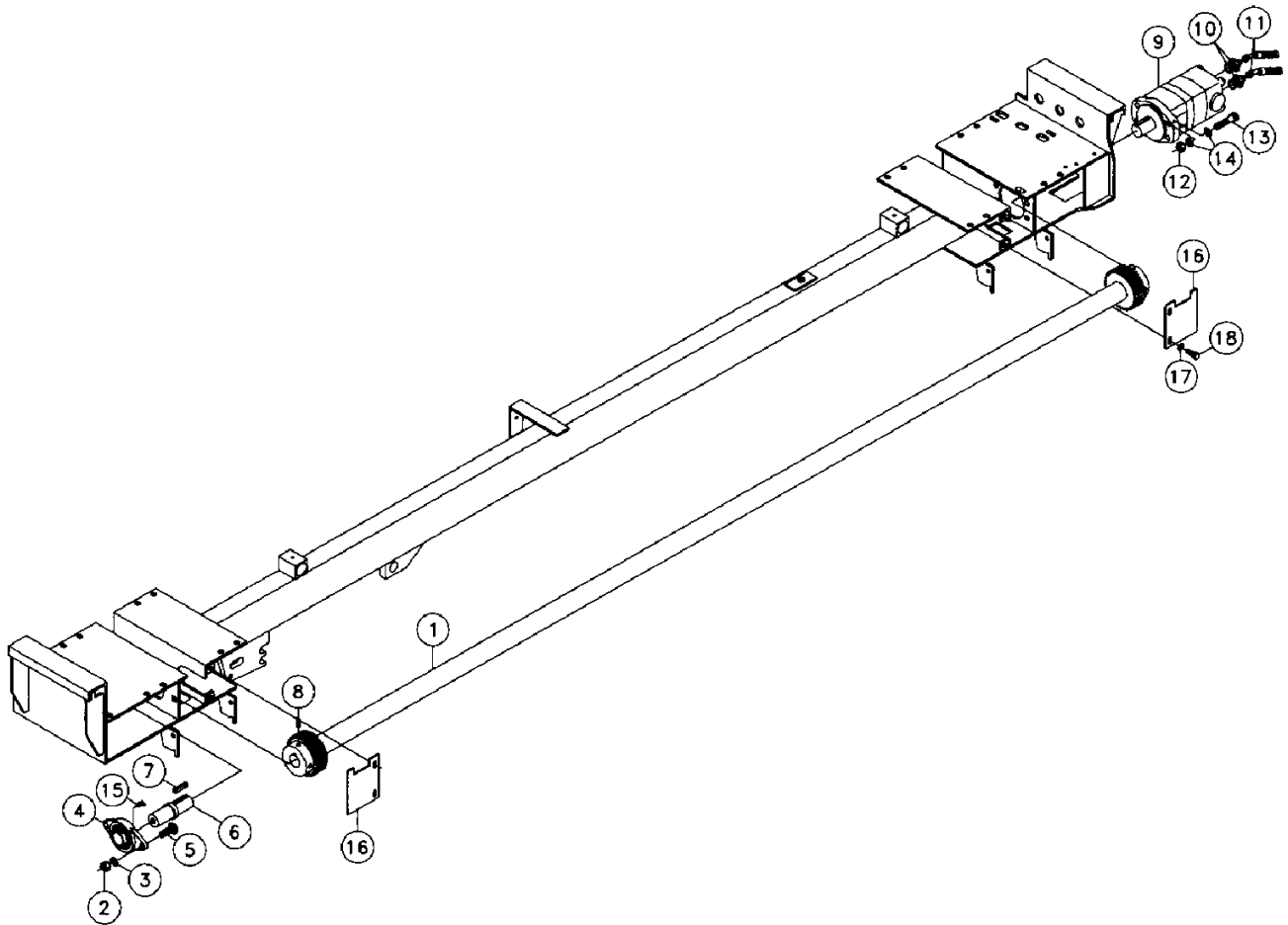
Shift Motor Fig 11-8r01



Shift Motor Fig 11-8r01

| REF. NO. | * | PART NO. | DESCRIPTION | QTY. | REMARKS |
|----------|---|---------------|---|------|--------------------------------------|
| | | Revision Date | September, 2004 | | Update In Illustration & Parts List. |
| 1 | | 246310001 | SHIFT-GEAR | 1 | |
| 2 | | 418001 | NUT-7/16 NC HEX | 2 | |
| 3 | | 250540001 | REPLACED BY 250515001 | 2 | |
| 4 | | 246416001 | BEARING- 2 BOLT FLANGE | 1 | |
| 5 | | 376014 | 7/16X14X1 1/2 GD5 CARRIAGE BT | 2 | |
| 6 | | 246383001 | SHAFT-GEAR STUB | 1 | |
| 7 | | 218253001 | HKEY-5/16X5/16-2.00 | 1 | |
| 8 | | 526003 | SSS-3/8-16X3/4 | 4 | |
| 9 | | 246413001 | MOTOR- HYD 2000 | 1 | Breakdown Fig 11-9 |
| 10 | | 101507001 | FITTING-10MORX4MJIC STR. | 2 | |
| 11 | | 250306001 | HOSE-1/4X75 4FS JIC ST/45 5000 | 2 | |
| 12 | | 75382001 | NUT-1/2-UNC GRADE 8 SLTL | 4 | |
| 13 | | 229144001 | CAPSCREW- 1/2-13 X 1 3/4SOC.HD | 4 | |
| 14 | | 485025 | WASHER-1/2 FLAT-HARDENED-YZ | 4 | |
| 15 | | 596001 | ZERK-1/4" NF 45 DEG GREASE | 1 | |
| 16 | | 250326001 | PLATE-GEAR SHIELD | 2 | |
| 17 | | 235713001 | WASHER - FLATSTRL - .38 - .41 X .81 - .06-YA-A325 | 4 | |
| 18 | | 235727001 | BOLT-3/8-16X1 GR8 HEX ZINC PLT | 4 | |

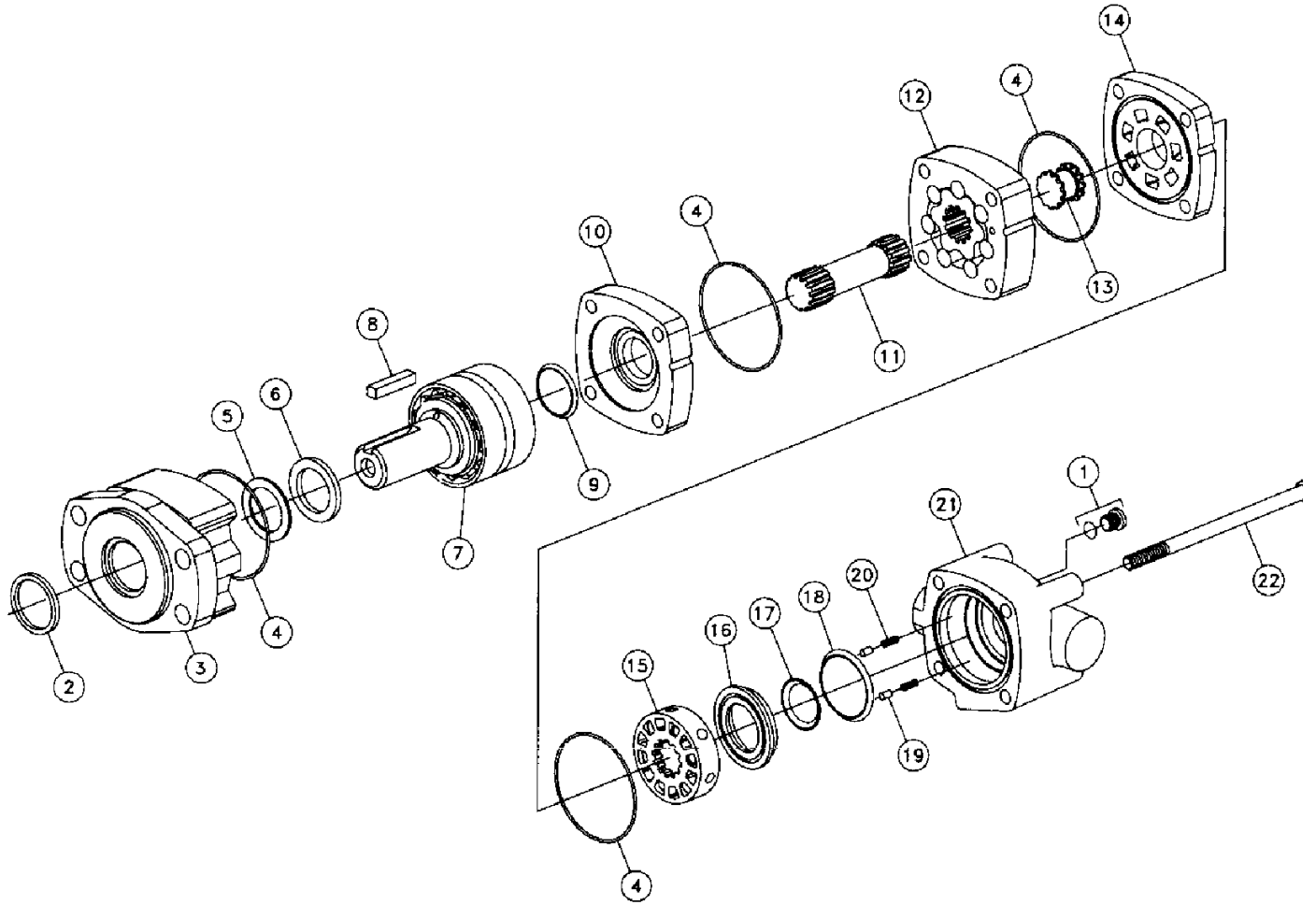
Shift Motor Fig 11-8



Shift Motor Fig 11-8

| REF. NO. | * | PART NO. | DESCRIPTION | QTY. | REMARKS |
|----------|---|-----------|--------------------------------|------|--------------------|
| 1 | | 246310001 | SHFIT-GEAR | 1 | |
| 2 | | 418001 | NUT-7/16 NC HEX | 2 | |
| 3 | | 250540001 | WASHER-7/16 HARDENED FLAT Y/ | 2 | |
| 4 | | 246416001 | BEARING- 2 BOLT FLANGE | 1 | |
| 5 | | 376014 | 7/16X14X1 1/2 GD5 CARRIAGE BT | 2 | |
| 6 | | 246383001 | SHAFT-GEAR STUB | 1 | |
| 7 | | 13464001 | HKEY-5/16X5/16X1 3/4 | 1 | |
| 8 | | 526003 | SSS-3/8-16X3/4 | 4 | |
| 9 | | 246413001 | MOTOR- HYD 2000 | 1 | Breakdown Fig 11-9 |
| 10 | | 101507001 | FITTING-10MORX4MJIC STR. | 2 | |
| 11 | | 250306001 | HOSE-1/4X75 4FS JIC ST/45 5000 | 2 | |
| 12 | | 75382001 | NUT-1/2-UNC GRADE 8 SLTL | 4 | |
| 13 | | 229144001 | CAPSCREW- 1/2-13 X 1 3/4SOC.HD | 4 | |
| 14 | | 485025 | WASHER-1/2 FLAT-HARDENED-ZINC | 4 | |
| 15 | | 596001 | ZERK-1/4" NF 45 DEG GREASE | 1 | |
| 16 | | 250326001 | PLATE-GEAR SHIELD | 2 | |
| 17 | | 235713001 | WASHER-3/8 SAE HARD ZINC PLTD | 4 | |
| 18 | | 235727001 | BOLT-3/8-16X1 GR8 HEX ZINC PLT | 4 | |

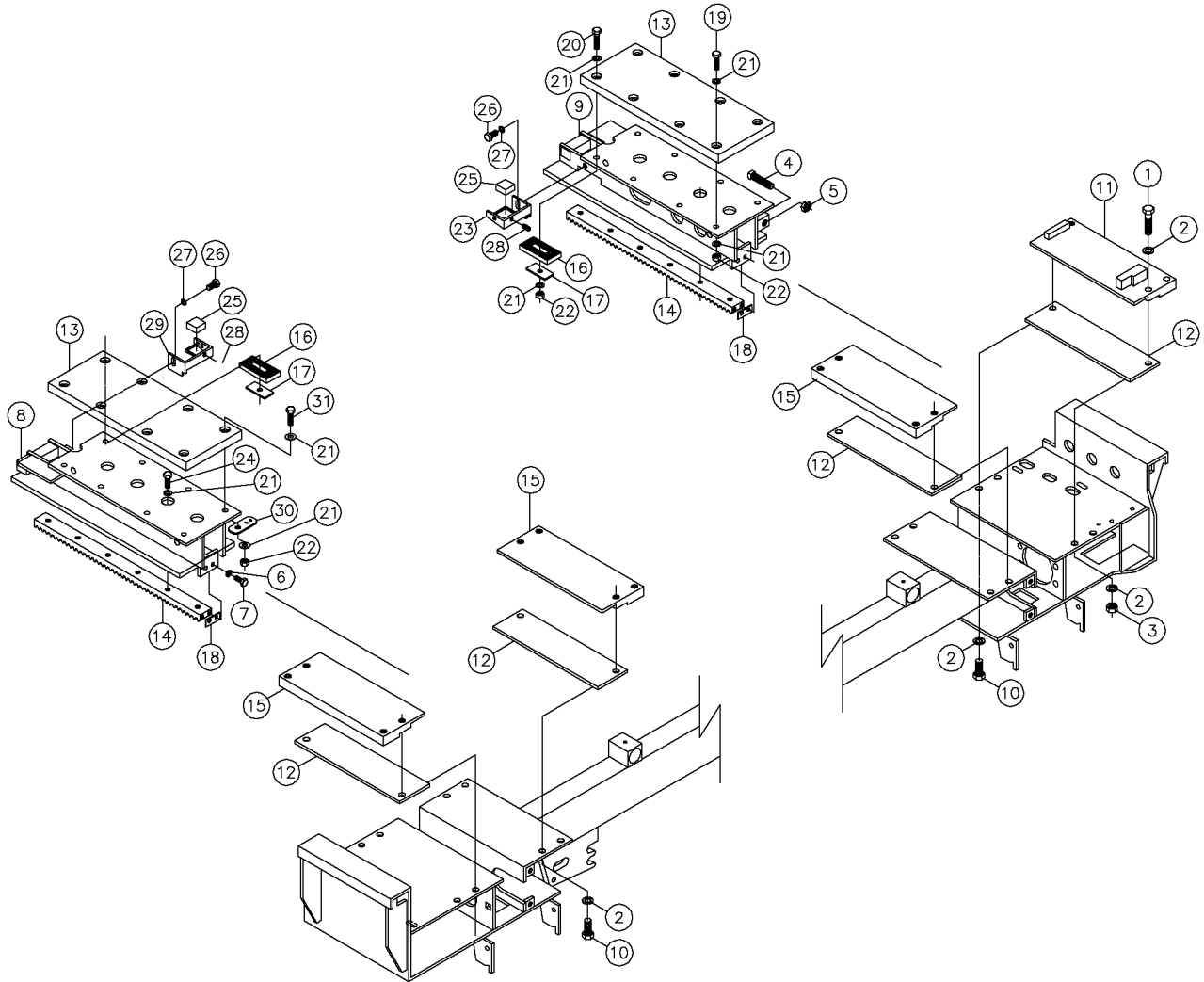
Hyd Motor Components Fig 11-9



Hyd Motor Components Fig 11-9

| REF. NO. | * | PART NO. | DESCRIPTION | QTY. | REMARKS |
|----------|---|-----------|---------------------------------|------|---|
| 1 | | 4485021 | PLUG ASSY | 1 | |
| | | 4485023 | O-RING | 1 | |
| 2 | | 770071 | SEAL-DUST | 1 | |
| 3 | | 246413003 | HOUSING - 4 BOLT MAGNETO | 1 | |
| 4 | | 770007 | SEAL-O RING | 4 | |
| 5 | | 770009 | WASHER-BACKUP | 1 | |
| 6 | | 770075 | SEAL-SHAFT | 1 | |
| 7 | | 770099 | SHAFT&BEARING KIT | 1 | Include The Following Parts |
| | | NSS | SHAFT-OUTPUT | 1 | |
| | | NSS | CONE-BEARING | 2 | |
| | | NSS | CUP-BEARING | 2 | |
| | | NSS | SPACER-BEARING | 1 | |
| | | NSS | RING-RETAINING | 1 | |
| 8 | | 772003 | KEY-5/16X5/16X1 1/4 | 1 | |
| 9 | | 770017 | SEAL-SHAFT FACE | 1 | |
| 10 | | 770079 | PLATE-WEAR | 1 | |
| 11 | | 70020003 | DRIVE- | 1 | |
| 13 | | 774011 | DRIVE-VALVE | 1 | |
| 14 | | 770085 | PLATE-VALVE | 1 | |
| 15 | | 770087 | VALVE | 1 | |
| 16 | | 770089 | PLATE-BALANCE | 1 | |
| 17 | | 770057 | SEAL-FACE INNER | 1 | |
| 18 | | 770091 | SEAL-FACE, OUTER | 1 | |
| 19 | | 770037 | PIN | 2 | |
| 20 | | 770039 | SPRING | 2 | |
| 21 | | 246413005 | HOUSING-VALVE(#10ENDPTS,#4CASE) | 1 | |
| 22 | | 70020007 | BOLT | 4 | |
| | | 246413001 | MOTOR- HYD | | Includes All Items In Figure |
| | | | | | |
| | | 770097 | REPAIR KIT | | Inc Ref No's 2, 4 - 6, 9, 17, 18 |
| | | NSS | NOT SOLD SEPARATELY | | |
| | | | | | |
| | | Note: | When Ordering Parts | | Include Product 104 - 1608 - 006 With Order |

Selector Fig 11-10r02

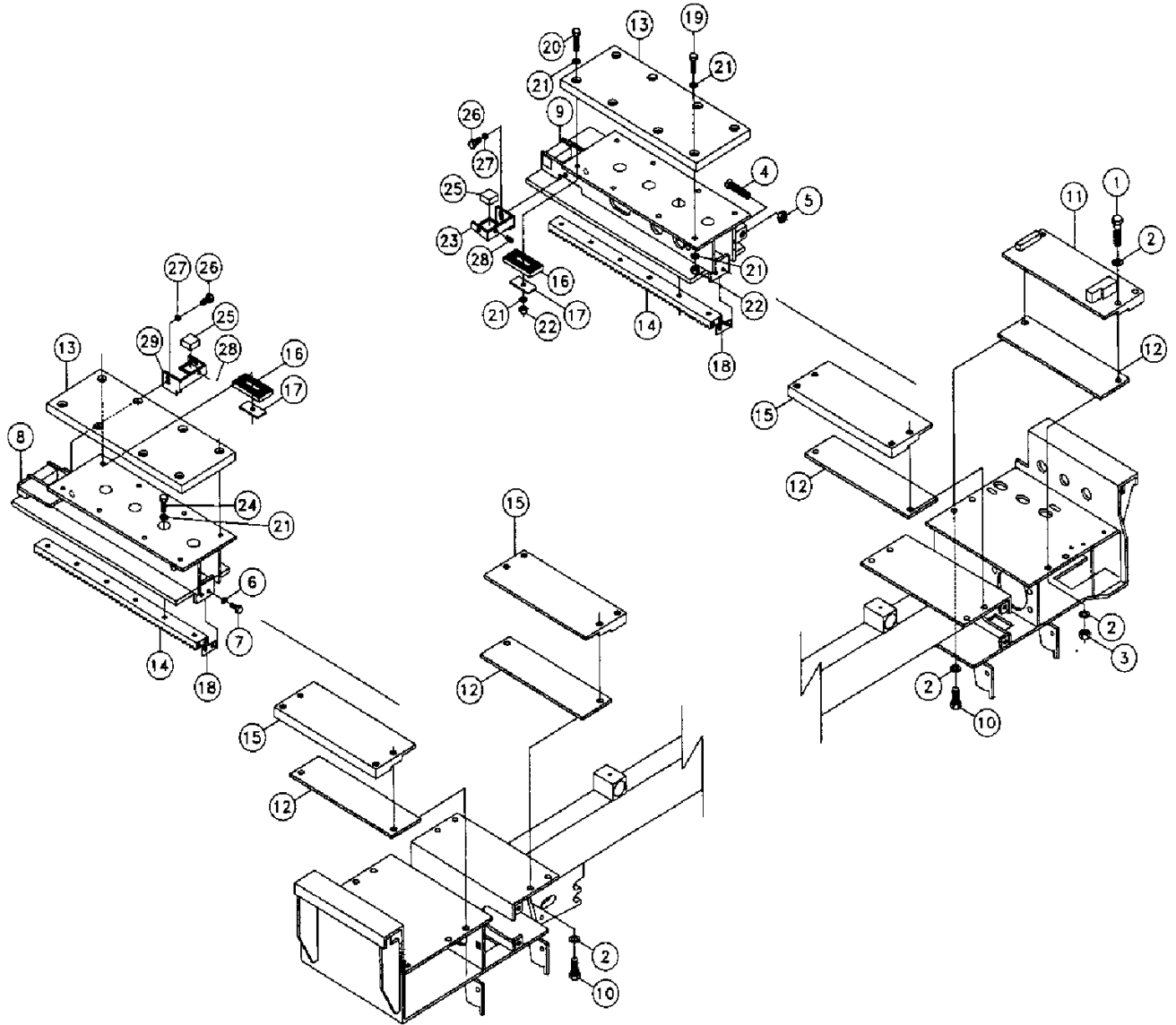


Selector Fig 11-10r02

| REF. NO. | * | PART NO. | DESCRIPTION | QTY. | REMARKS |
|----------|---|---------------|--------------------------------|------|--------------------------------------|
| | | Revision Date | May, 2005 | | Update In Illustration & Parts List. |
| 1 | | 235718001 | BOLT-1/2-13X2 GR8 HEX ZINC PLT | 2 | |
| 2 | | 485025 | WASHER-1/2 FLAT-HARDENED-ZINC | 18 | |
| 3 | | 75382001 | NUT-1/2-UNC GRADE 8 SLTL | 16 | |
| 4 | | 550020 | SQ HSS-1/2-13X2 | 1 | |
| 5 | | 235722001 | NUT-1/2-13 GR8 JAM ZINC PLTD | 1 | |
| 6 | | 235714001 | WASHER-5/16 SAE HARD ZINC PLTD | 4 | |
| 7 | | 238209001 | BOLT-5/16-18X1 GR8 HEX ZINC YC | 4 | |
| 8 | | 250274001 | BAR-SELECTOR | 1 | |
| 9 | | 246332001 | BAR-SELECTOR | 1 | |
| 10 | | 235737001 | BOLT-1/2-13X1 1/4 GR8 ZINC PLT | 14 | |
| 11 | | 245207001 | PLATE-HOLD DOWN | 1 | |
| 12 | | 246324001 | PLATE-NYLON SLIDE | 4 | |
| 13 | | 246331001 | PLATE- ROD SLIDE | 2 | |
| 14 | | 246338001 | RACK-8 DP | 2 | |
| 15 | | 250349001 | PLATE-HOLD DOWN | 3 | |
| 16 | | 250298001 | GRIP - RUBBER ROD | 2 | |
| 17 | | 250299001 | GRIP COVER | 4 | |
| 18 | | 246365001 | PLATE-SHIM | | |
| 19 | | 235727001 | BOLT-3/8-16X1 GR8 HEX ZINC PLT | 14 | |
| 20 | | 235723001 | BOLT-3/8-16X1 1/2 GR8 ZINC PLT | 2 | |
| 21 | | 235713001 | WASHER-3/8 SAE HARD ZINC PLTD | 44 | |
| 22 | | 250508001 | NUT-3/8-NC GR8 TOP LOCK Y/ZINC | 16 | |
| 23 | | 245203001 | SUPPORT-REAR MAGNET | 1 | |
| 24 | | 246426001 | BOLT-3/8-16X7/8 GR8 HEX ZNC PL | 12 | |
| 25 | | 245220001 | MAGNET-1X1X1/2 50 LB PULL | 2 | |
| 26 | | 235726001 | BOLT-3/8-16X3/4 GR8 HEX ZNCPLT | 2 | |
| 27 | | 480007 | WASHER-3/8 S/T LOCK | 2 | |
| 28 | | 5531001 | SSS - 5/16-18 X 1/2 | 4 | |
| 29 | | 245202001 | SUPPORT-FRONT MAGNET | 1 | |
| 30 | | 250400001 | CARRIER-HOSE ATTACHMENT | 1 | |
| 31 | | 235736001 | BOLT-3/8-16X1 1/4 ZINC PLTD | 1 | |

Selector Fig 11-10r01

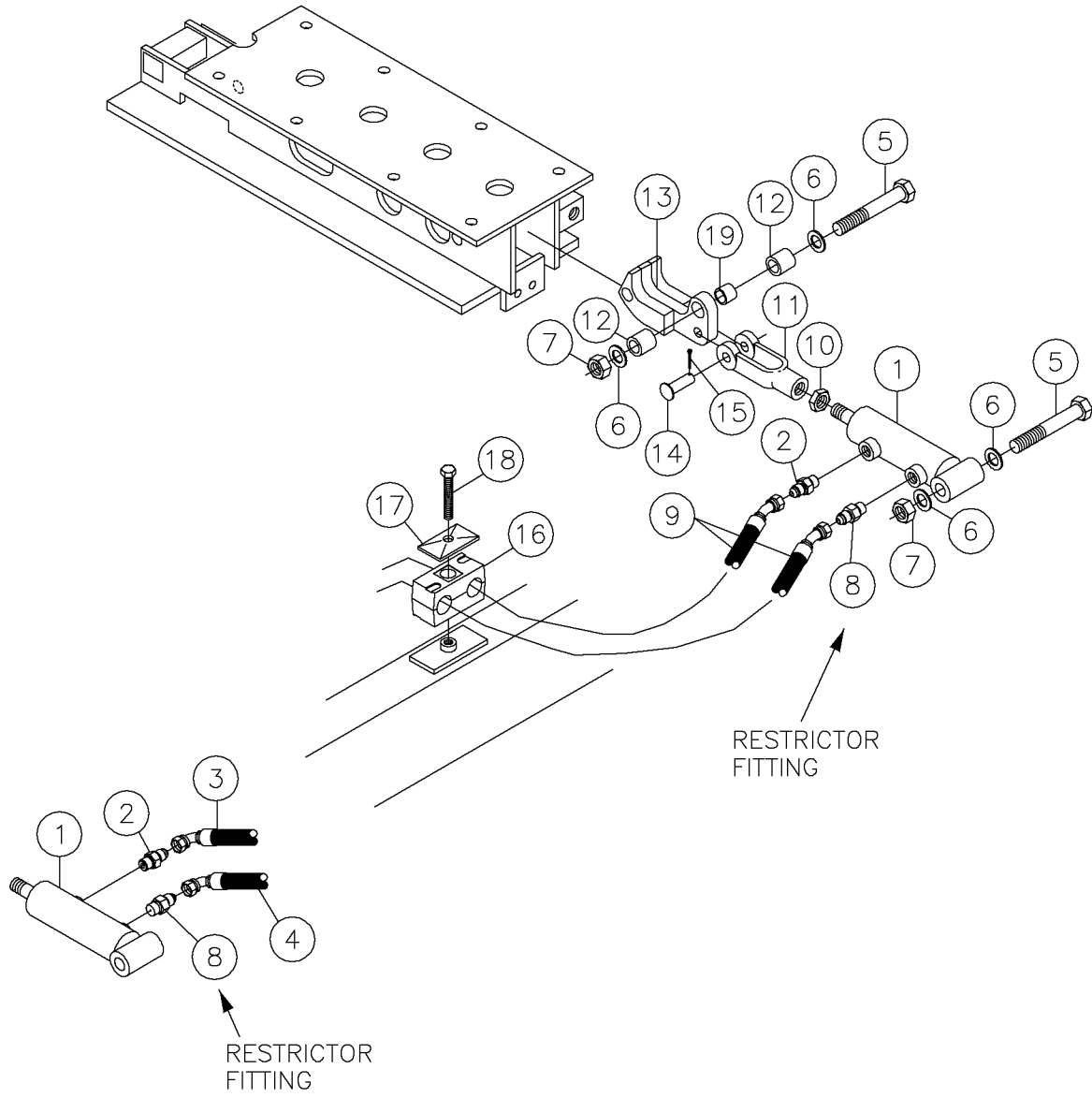
Revised February 1999 due to change in illustration.



Selector Fig 11-10r01

| REF. NO. | * | PART NO. | DESCRIPTION | QTY. | REMARKS |
|----------|---|---------------|--------------------------------|------|-------------------------|
| | | Revision Date | February, 1999 | | Update In Illustration. |
| 1 | | 235718001 | BOLT-1/2-13X2 GR8 HEX ZINC PLT | 2 | |
| 2 | | 485025 | WASHER-1/2 FLAT-HARDENED-ZINC | 18 | |
| 3 | | 75382001 | NUT-1/2-UNC GRADE 8 SLTL | 16 | |
| 4 | | 550020 | SQ HSS-1/2-13X2 | 1 | |
| 5 | | 235722001 | NUT-1/2-13 GR8 JAM ZINC PLTD | 1 | |
| 6 | | 235714001 | WASHER-5/16 SAE HARD ZINC PLTD | 4 | |
| 7 | | 238209001 | BOLT-5/16-18X1 GR8 HEX ZINC YC | 4 | |
| 8 | | 250274001 | BAR-SELECTOR | 1 | |
| 9 | | 246332001 | BAR-SELECTOR | 1 | |
| 10 | | 235737001 | BOLT-1/2-13X1 1/4 GR8 ZINC PLT | 14 | |
| 11 | | 245207001 | PLATE-HOLD DOWN | 1 | |
| 12 | | 246324001 | PLATE-NYLON SLIDE | 4 | |
| 13 | | 246331001 | PLATE- ROD SLIDE | 2 | |
| 14 | | 246338001 | RACK-8 DP | 2 | |
| 15 | | 250349001 | PLATE-HOLD DOWN | 3 | |
| 16 | | 250298001 | GRIP - RUBBER ROD | 2 | |
| 17 | | 250299001 | GRIP COVER | 4 | |
| 18 | | 246365001 | PLATE-SHIM | | |
| 19 | | 235727001 | BOLT-3/8-16X1 GR8 HEX ZINC PLT | 14 | |
| 20 | | 235723001 | BOLT-3/8-16X1 1/2 GR8 ZINC PLT | 2 | |
| 21 | | 235713001 | WASHER-3/8 SAE HARD ZINC PLTD | 44 | |
| 22 | | 250508001 | NUT-3/8-NC GR8 TOP LOCK Y/ZINC | 16 | |
| 23 | | 245203001 | SUPPORT-REAR MAGNET | 1 | |
| 24 | | 246426001 | BOLT-3/8-16X7/8 GR8 HEX ZNC PL | 12 | |
| 25 | | 245220001 | MAGNET-1X1X1/2 50 LB PULL | 2 | |
| 26 | | 235726001 | BOLT-3/8-16X3/4 GR8 HEX ZNCPLT | 2 | |
| 27 | | 480007 | WASHER-3/8 S/T LOCK | 2 | |
| 28 | | 5531001 | SSS - 5/16-18 X 1/2 | 4 | |
| 29 | | 245202001 | SUPPORT-FRONT MAGNET | 1 | |

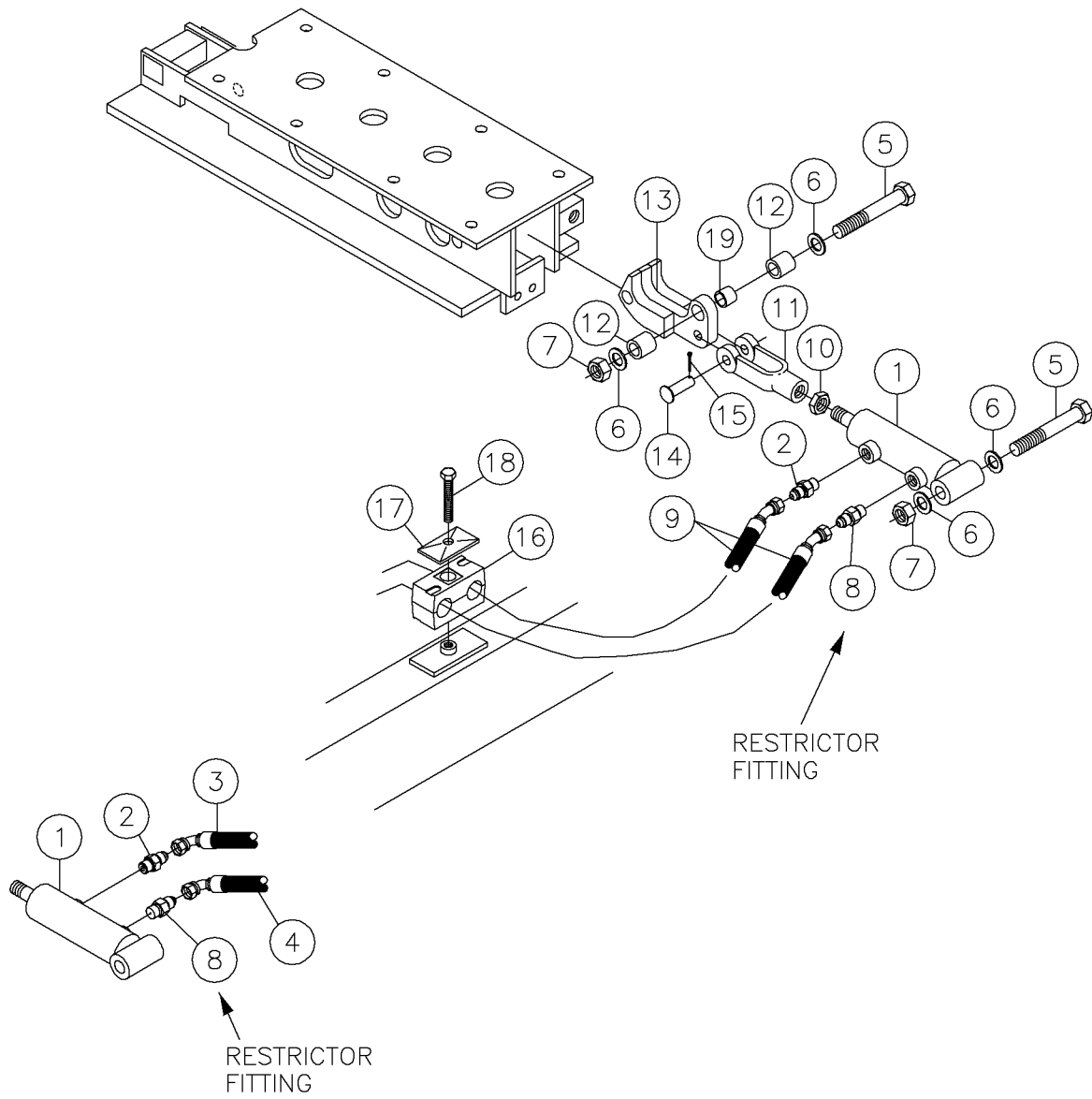
Clamp Cylinder Fig 11-11r04



Clamp Cylinder Fig 11-11r04

| REF. NO. | * | PART NO. | DESCRIPTION | QTY. | REMARKS |
|----------|---|---------------|---|------|-----------------------|
| | | Revision Date | May, 2006 | | Update In Parts List. |
| 1 | | 232437001 | CYLINDER-1 X 1 1/2 | 2 | Breakdown Fig 11-12 |
| 2 | | 60908001 | FITTING-4MX4M JIC STR ADAPTER | 2 | |
| 3 | | 296277304 | HOSE-HYD-.25X40-4FSJ-ST/45 3000 PSI M3K | 1 | |
| 4 | | 296277303 | HOSE-HYD-.25X35-4FSJ-ST/45 3000 PSI M3K | 1 | |
| 5 | | 240336001 | BOLT-1/2-13X3 1/4 GR8 ZINC PLT | 4 | |
| 6 | | 485025 | WASHER-1/2 FLAT-HARDENED-ZINC | 4 | |
| 7 | | 75382001 | NUT-1/2-UNC GRADE 8 SLTL | 4 | |
| 8 | | 236439001 | FITTING-4MOR X 4MJIC R.031 | 2 | |
| 9 | | 241955001 | HOSE-1/4 X 48 4FS JIC ST/4FS JIC 45 | 2 | |
| 10 | | 3888001 | NUT-1/2 N.F. HEX JAM | 2 | |
| 11 | | 1980001 | YOKE-8N300A 1/2-3/8PIN 1/2 THD ZP | 2 | |
| 12 | | 250276001 | SPACER-CYLINDER | 4 | |
| 13 | | 246359001 | CATCH-PIPE | 2 | |
| 14 | | 2110013 | PIN-CLEVIS 3/8X1 3/8-1 9/64 UL | 2 | |
| 15 | | 510009 | COTTER-PIN-1/8" X 1" | 2 | |
| 16 | | 67846005 | CLAMP-TWIN (PAIR) | 1 | |
| 17 | | 67846003 | PLATE-TWIN COVER | 1 | |
| 18 | | 248031001 | BOLT-5/16-18X1 1/4 GR8 ZINC PL | 1 | |
| 19 | | 250393001 | BUSHING-STL 5/8X1/2X1/2 | 2 | |

Clamp Cylinder Fig 11-11r03

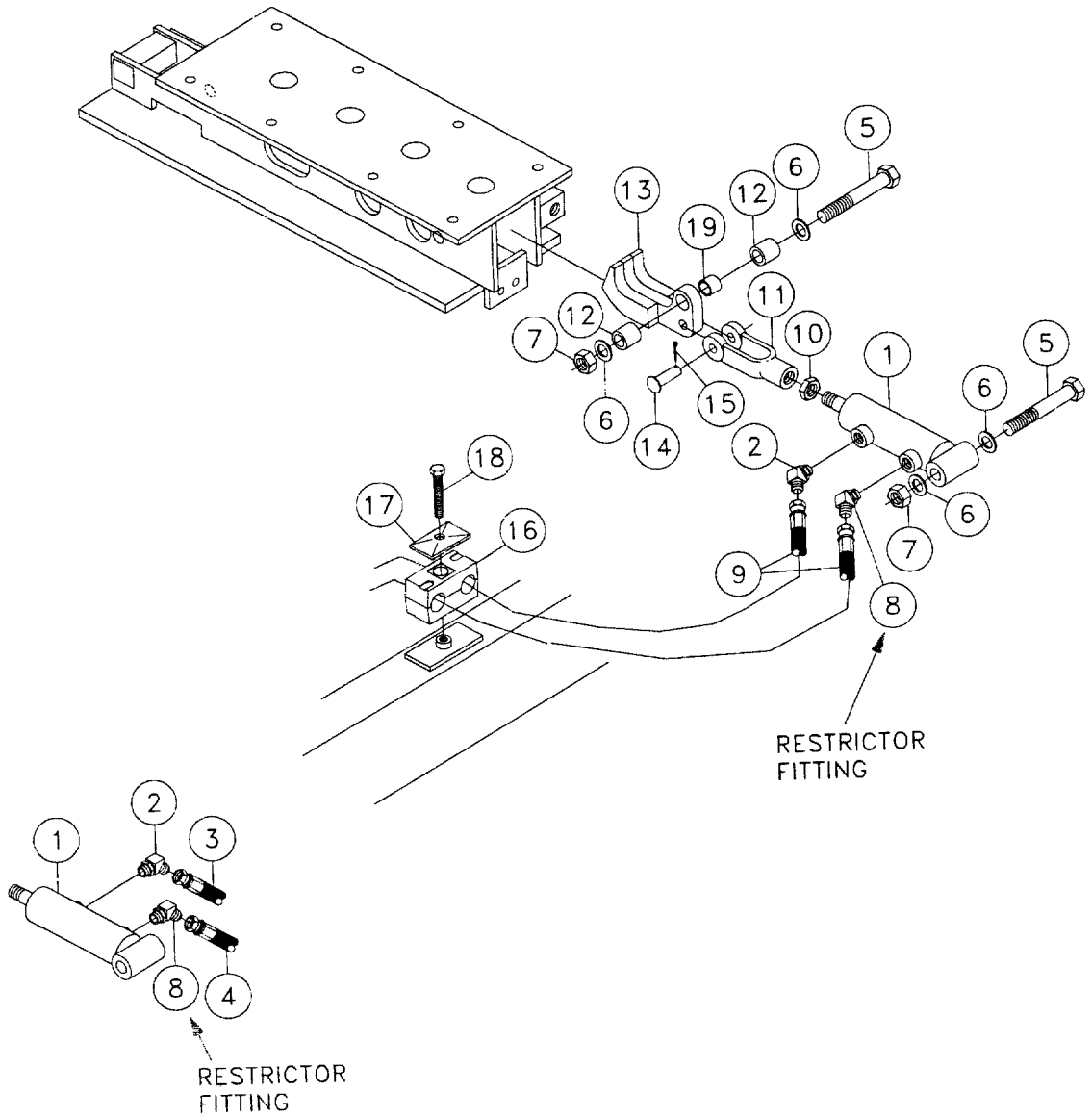


Clamp Cylinder Fig 11-11r03

| REF. NO. | * | PART NO. | DESCRIPTION | QTY. | REMARKS |
|----------|---|---------------|---|------|--------------------------------------|
| | | Revision Date | May, 2005 | | Update In Illustration & Parts List. |
| 1 | | 232437001 | CYLINDER-1 X 1 1/2 | 2 | Breakdown Fig 11-12 |
| 2 | | 60908001 | FITTING-4MX4M JIC STR ADAPTER | 2 | |
| 3 | | 296277304 | HOSE-HYD-.25X40-4FSJ-ST/45 3000 PSI M3K | 1 | |
| 4 | | 53843241 | HOSE-1/4X34 4FS JIC ST (3000) | 1 | |
| 5 | | 240336001 | BOLT-1/2-13X3 1/4 GR8 ZINC PLT | 4 | |
| 6 | | 485025 | WASHER-1/2 FLAT-HARDENED-ZINC | 4 | |
| 7 | | 75382001 | NUT-1/2-UNC GRADE 8 SLTL | 4 | |
| 8 | | 236439001 | FITTING-4MOR X 4MJIC R.031 | 2 | |
| 9 | | 241955001 | HOSE-1/4 X 48 4FS JIC ST/4FS JIC 45 | 2 | |
| 10 | | 3888001 | NUT-1/2 N.F. HEX JAM | 2 | |
| 11 | | 1980001 | YOKE-8N300A 1/2-3/8PIN 1/2 THD ZP | 2 | |
| 12 | | 250276001 | SPACER-CYLINDER | 4 | |
| 13 | | 246359001 | CATCH-PIPE | 2 | |
| 14 | | 2110013 | PIN-CLEVIS 3/8X1 3/8-1 9/64 UL | 2 | |
| 15 | | 510009 | COTTER-PIN-1/8" X 1" | 2 | |
| 16 | | 67846005 | CLAMP-TWIN (PAIR) | 1 | |
| 17 | | 67846003 | PLATE-TWIN COVER | 1 | |
| 18 | | 248031001 | BOLT-5/16-18X1 1/4 GR8 ZINC PL | 1 | |
| 19 | | 250393001 | BUSHING-STL 5/8X1/2X1/2 | 2 | |

Clamp Cylinder Fig 11-11r02

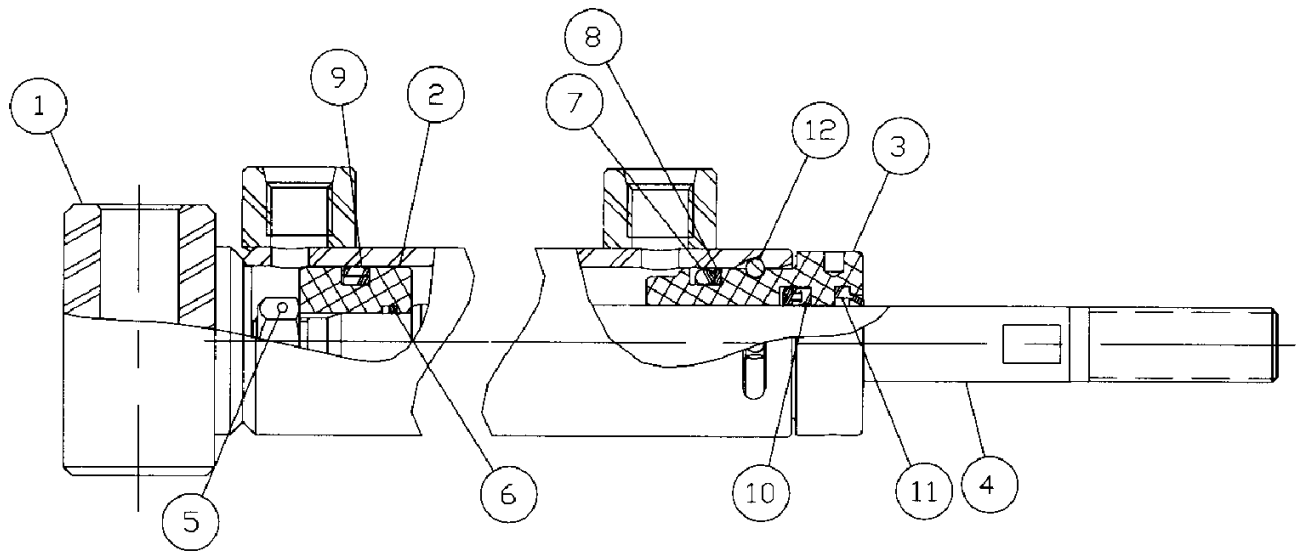
Revised January 2000 due to update
in parts list. Added parts marked with *.



Clamp Cylinder Fig 11-11r02

| REF. NO. | * | PART NO. | DESCRIPTION | QTY. | REMARKS |
|----------|---|---------------|-----------------------------------|------|---------------------|
| | | Revision Date | January, 2000 | | |
| 1 | | 232437001 | CYLINDER-1 X 1 1/2 | 2 | Breakdown Fig 11-12 |
| 2 | | 58295001 | FITTING-4M OR X 4M JIC 45 DEG. | 2 | |
| 3 | | 250317001 | HOSE-1/4X35 4FS JIC ST 5000PSI | 1 | S/N 101-352 |
| 3 | | 53843185 | *HOSE-1/4X40 4FS JIC ST (3000) | 1 | S/N 353- |
| 4 | | 53843145 | HOSE-1/4X30 4FS JIC (100R2) | 1 | S/N 101-352 |
| 4 | | 53843241 | HOSE-1/4X34 4FS JIC ST (3000) | 1 | S/N 353- |
| 5 | | 240336001 | BOLT-1/2-13X3 1/4 GR8 ZINC PLT | 4 | |
| 6 | | 485025 | WASHER-1/2 FLAT-HARDENED-ZINC | 4 | |
| 7 | | 75382001 | NUT-1/2-UNC GRADE 8 SLTL | 4 | |
| 8 | | 250348001 | FITTING-4MOR X4MJIC 45 W/R.032 | 2 | |
| 9 | | 232124041 | HOSE-1/4X48 4FSJIC ST/ST M3K | 2 | |
| 10 | | 3888001 | NUT-1/2 N.F. HEX JAM | 2 | |
| 11 | | 1980001 | YOKE-8N300A 1/2-3/8PIN 1/2 THD ZP | 2 | |
| 12 | | 250276001 | SPACER-CYLINDER | 4 | |
| 13 | | 246359001 | CATCH-PIPE | 2 | |
| 14 | | 2110013 | PIN-CLEVIS 3/8X1 3/8-1 9/64 UL | 2 | |
| 15 | | 510009 | COTTER-PIN-1/8" X 1" | 2 | |
| 16 | | 67846005 | CLAMP-TWIN (PAIR) | 1 | |
| 17 | | 67846003 | PLATE-TWIN COVER | 1 | |
| 18 | | 248031001 | BOLT-5/16-18X1 1/4 GR8 ZINC PL | 1 | |
| 19 | | 250393001 | BUSHING-STL 5/8X1/2X1/2 | 2 | |

Cylinder Components - 1" X 1 1/2" Fig 11-12

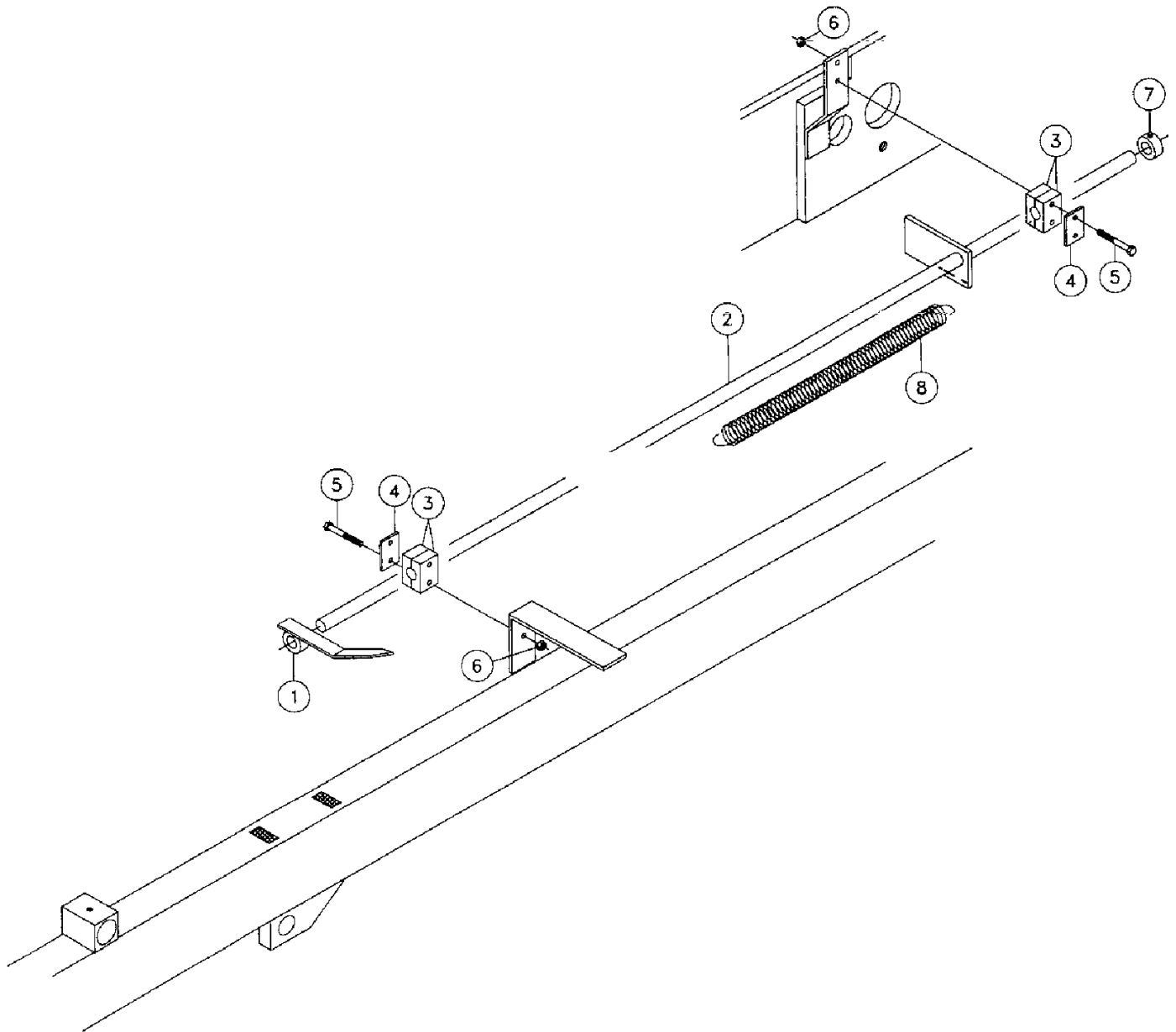


Cylinder Components - 1" X 1 1/2" Fig 11-12

| REF. NO. | * | PART NO. | DESCRIPTION | QTY. | REMARKS |
|----------|---|-----------|--------------------|------|------------------------------|
| 1 | | NSS | BODY-CYLINDER | 1 | |
| 2 | | 232437003 | PISTON - CYLINDER | 1 | |
| 3 | | 232437005 | GLAND - CYLINDER | 1 | |
| 4 | | NSS | ROD-PISTON | 1 | |
| 5 | | 232437007 | LOCK NUT | 1 | |
| 6 | | NSS | O-RING | 1 | |
| 7 | | NSS | O-RING | 1 | |
| 8 | | NSS | BACKUP RING | 1 | |
| 9 | | NSS | SEAL-PSP 'A' | 1 | |
| 10 | | NSS | SEAL-Z | 1 | |
| 11 | | NSS | SEAL-ROD WIPER AN | 1 | |
| 12 | | NSS | WIRE-ROUND WRAP IN | 1 | |
| | | | | | |
| | | 232437009 | SEAL KIT | | Inc Ref No's 6-12 |
| | | 232437001 | CYLINDER-1 X 1 1/2 | | Includes All Items In Figure |

Guide Rod Fig 11-13r01

Revised July 1999 due to update
in parts list. Changed part marked
with *.

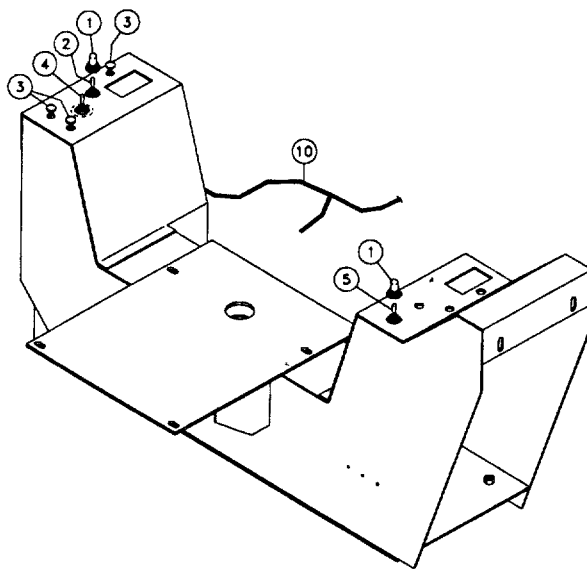


Guide Rod Fig 11-13r01

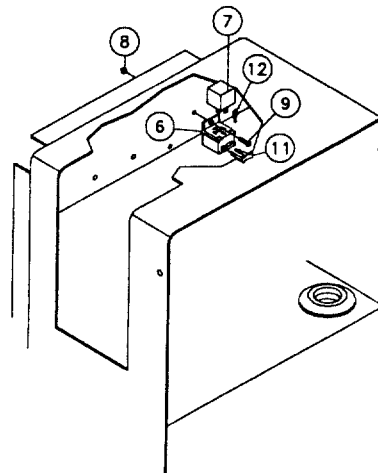
| REF. NO. | * | PART NO. | DESCRIPTION | QTY. | REMARKS |
|----------|---|---------------|--------------------------------------|------|---------|
| | | Revision Date | July, 1999 | | |
| 1 | | 250255001 | INDICATOR-GUIDE ROD | 1 | |
| 2 | | 250257001 | BAR-INDICATOR | 1 | |
| 3 | | 903135003 | CLAMP-HOSE 20675-PP | 4 | |
| 4 | | 903135005 | PLATE-COVER COP-2 | 2 | |
| 5 | | 248197001 | BOLT-1/4-20X2 GR.8 ZINC PLTD | 4 | |
| 6 | | 248198001 | NUT-1/4 -20GR8 TOP LOCK ZINC | 4 | |
| 7 | | 1500005 | SET COLLAR - 5/8 PLATED | 1 | |
| 8 | * | 1789041 | SPRING-EXT 12 GA X 1 1/8 OD X 13 1/2 | 1 | |

Electrical - Rod Loader Fig 11-14r02

Revised January 2000 due to update in illustration & parts list. Changed parts marked with *.



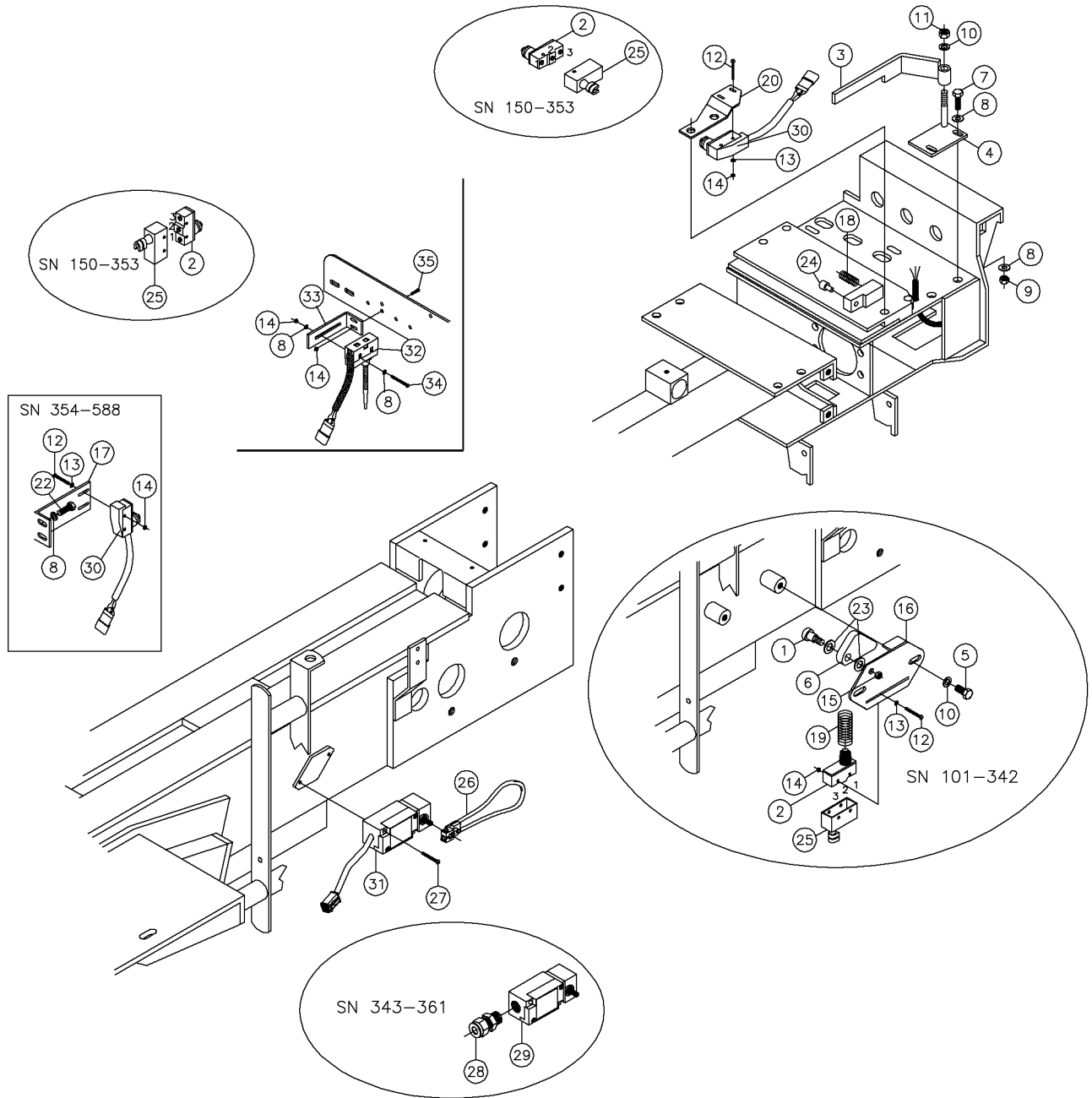
SN 101-385, 387-461 RELAY MOUNT REF#6 IS LOCATED AS SHOWN. SN 386,461- RELAY MOUNT MOVED TO CONTROL PANEL ACCESS DOOR, FIG. 4-2A. THE WIRE HARNESS REF. 10 WAS INCORPORATED INTO THE PANEL HARNESS.



Electrical - Rod Loader Fig 11-14r02

| REF. NO. | * | PART NO. | DESCRIPTION | QTY. | REMARKS |
|----------|---|---------------|---------------------------------|------|--|
| | | Revision Date | January, 2000 | | |
| 1 | | 5537001 | COVER-TOGGLE SWITCH | 3 | |
| 2 | | 214000001 | SWITCH-TOGGLE SP ST MOM. | 1 | |
| 3 | | 79942001 | PLUG-15/32 BUTTON | 3 | |
| 4 | | 67292001 | SWITCH-TOGGLE SEALED | 1 | |
| 5 | | 78104001 | SWITCH-DPDT MOMENTARY | 1 | |
| 6 | | 279313001 | MOUNT-RELAY W/LOCKABLE TERM. | 1 | |
| 7 | | 251681001 | RELAY-SEALED 40 AMP | | S/N 101-385, 387-461, S/N 386 & 467 - Relay Moved To Control Panel Access Door Fig 4-2A |
| 8 | | 400001 | NUT-3/16 NC HEX | 1 | |
| 9 | | 79525001 | SCREW-10-24X1/2 FL HD MACH | 1 | |
| 10 | | 250315001 | HARNESS - ROD LOADER WIRE | 1 | S/N 101-385, 387-461, S/N 386 & 462 - Wire Harness Was Incorporated Into The Panel Harness 292529001 |
| 11 | | 279314001 | TAB-RELAY TERMINAL LOCK | 1 | |
| 12 | | 279315001 | TERMINAL-14/16 GA LOCKING RELAY | A/R | P/N Qty Of 1 = 1 Each |

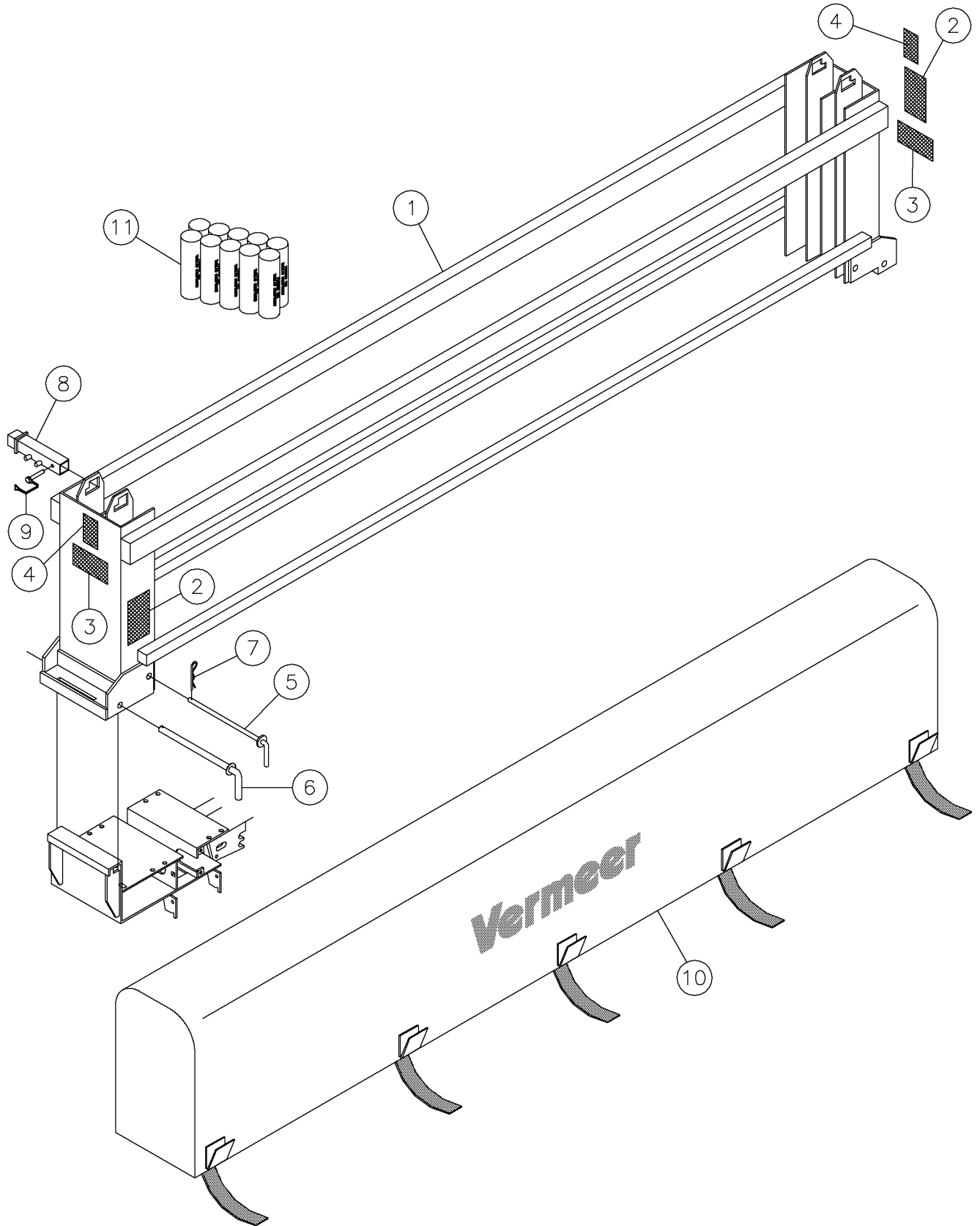
Sequence Switch Fig 11-15r03



Sequence Switch Fig 11-15r03

| REF. NO. | * | PART NO. | DESCRIPTION | QTY. | REMARKS |
|----------|---|---------------|---|------|-------------------------------------|
| | | Revision Date | June, 2000 | | |
| 1 | | 245221001 | SCREW-1/2 X 5/8 SOC HEAD ZNC PLT | 1 | S/N 101-342 |
| 2 | | 278012001 | SWITCH -15A SEALED SS PLUNGER | 2 | Quantity Of 3 Required, S/N 150-342 |
| 3 | | 245143001 | ASSEMBLY-PIVOT | 1 | |
| 4 | | 245147001 | MOUNT-PIVOT | 1 | |
| 5 | | 235726001 | BOLT-3/8 16 X 3/4 GR8 HEX ZNCPLT | 1 | S/N 101-342 |
| 6 | | 245176001 | CAM-SWITCH | 1 | S/N 101-342 |
| 7 | | 238209001 | BOLT-5/16-18 X 1 GR8 HEX ZINC YC | 2 | |
| 8 | | 235714001 | WASHER-5/16 SAE HARD ZINC PLTD | 8 | |
| 9 | | 235741001 | NUT-5/16-18 GR8 ZINC PLTD | 4 | |
| 10 | | 235713001 | WASHER-3/8 SAE HARD ZINC PLTD | 1 | Quantity Of 3 Required, S/N 101-342 |
| 11 | | 250508001 | NUT 3/8-NC GR8 TOP LOCK Y/ZINC | 1 | |
| 12 | * | 28932001 | BOLT-6-32NC X 1 3/8 | 2 | Quantity Of 6 Required, S/N 101-342 |
| 13 | | 57337001 | WASHER #6 FLAT | 4 | Quantity Of 6 Required, S/N 101-342 |
| 14 | | 69757-001 | LOCKNUT #6-32 NYLON INSERT PLT | 4 | S/N 101-342 |
| 15 | | 235725001 | NUT-3/8-16 GR8 ZINC PLTD | 2 | S/N 101-342 |
| 16 | | 245177001 | MOUNT-CAM & SWITCH | 1 | S/N 101-342 |
| 17 | | 245183001 | BRACKET-SWITCH MOUNTING | 1 | S/N 354-588 |
| 18 | | 1803011 | SPRING-COMP. 9/16 X 1 3/8 X 15 GA. | 1 | |
| 19 | | 1803123 | SPRING-COMP. #8408074 | 1 | S/N 101-342 |
| 20 | | 24515501 | MOUNT-SWITCH | 1 | |
| 21 | | 235726001 | BOLT-3/8-16 X 3/4 GR8 HEX ZNCPLT | 1 | |
| 22 | | 235742001 | BOLT-5/16-18 X 3/4 GR8 ZINC PLTD | 2 | S/N 354-588 |
| 23 | | 4542005 | WSHR-7/80D X 1/2ID X 18 GA MB | 2 | S/N 101-342 |
| 24 | | 245204001 | PIN-PUSH | 1 | |
| 25 | | 278013001 | BOOT-15A PLUNGER SWITCH TERML | 2 | Quantity Of 3 Required S/N 150-342 |
| 26 | | 279351003 | LOOP | 1 | S/N 343- |
| 27 | | 533016 | BOLT-10-24 X 3/4 RND HD STOVE | 2 | S/N 343- |
| 28 | | 279351005 | STRAIN RELIEF | 1 | S/N 343-361 |
| 29 | | 279351001 | SWITCH-MICRO | 1 | S/N 343-361 |
| 30 | * | 251695001 | SWITCH-LIMIT SEALED W/3 PIN DEUSCH | 1 | S/N 354- |
| 31 | | 279362001 | LIMIT SWITCH ASSY. MICRO | 1 | S/N 362- |
| 32 | * | 283529001 | SWITCH-WHISKER LIMIT W/3 PIN DEUTSCH | 1 | S/N 589- |
| 33 | * | 283526001 | MOUNT-SEAT SWITCH | 1 | S/N 589- |
| 34 | * | 93831001 | BOLT-6-32 UNC X 1 1/4 STOVE | 2 | S/N 589- |
| 35 | * | 63737001 | SCREW-6-32 X 1/2 MACH. | 2 | S/N 589- |

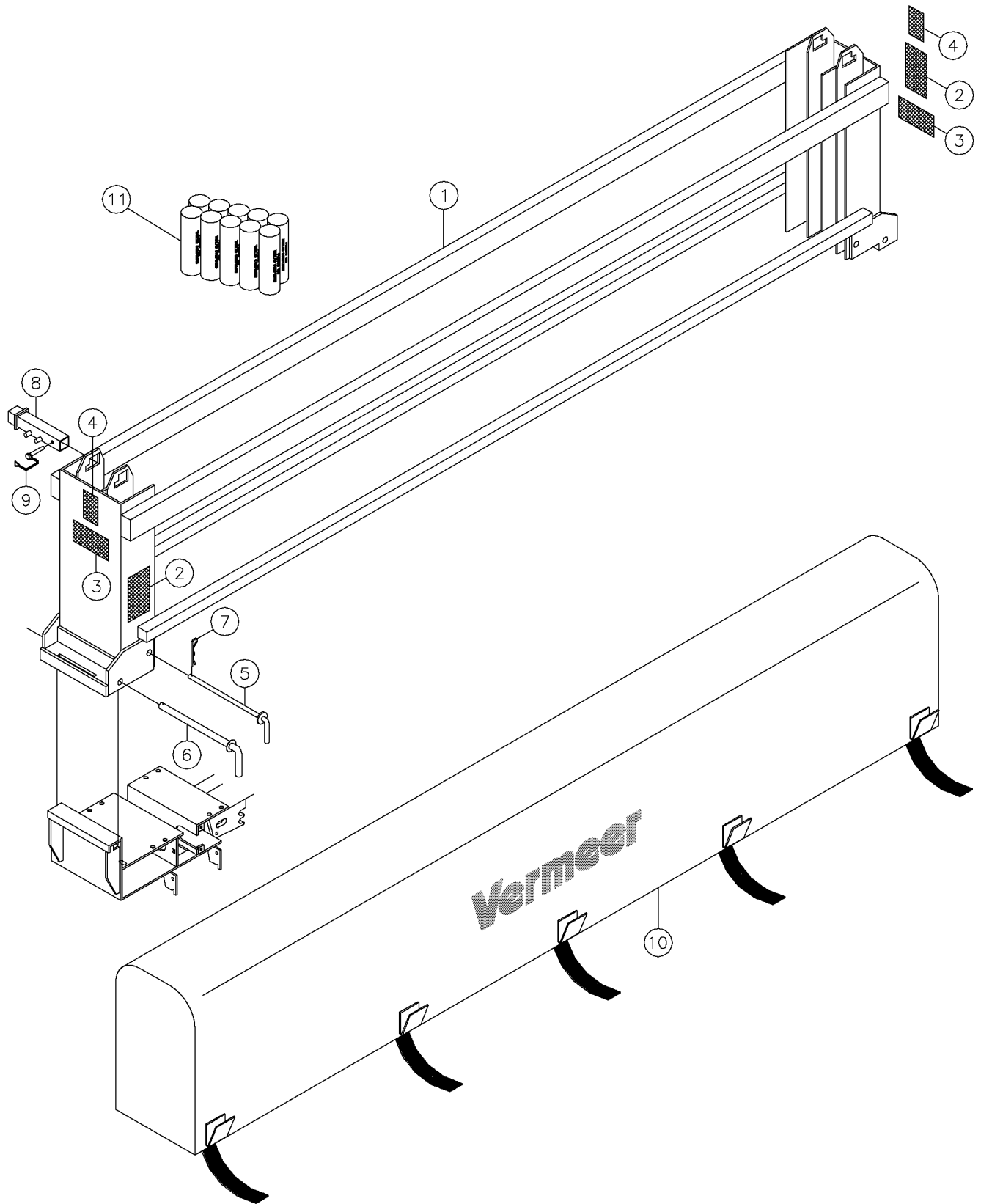
Rod Box Fig 11-16r04



Rod Box Fig 11-16r04

| REF. NO. | * | PART NO. | DESCRIPTION | QTY. | REMARKS |
|----------|---|---------------|--|------|-----------------------|
| | | Revision Date | September, 2004 | | Update In Parts List. |
| 1 | | 245164003 | ROD BOX ASS'Y - DOMESTIC | 1 | Inc Ref No's 2-4 |
| | | 245164005 | ROD BOX ASS'Y-INTERNATIONAL | 1 | Inc Ref No's 2-4 |
| 2 | | 7000A627 | DECAL-DANGER | 2 | Domestic |
| | | 700IA627 | DECAL-DANGER | 2 | International |
| 3 | | 70000563 | DECAL-WARNING (UND) | 2 | Domestic |
| | | 7000I563 | DECAL-WARNING (UND) | 2 | International |
| 4 | | 7000I445 | DECAL-LIFT POINT | 2 | |
| 5 | | 250343001 | PIN-ROD | 2 | |
| 6 | | 250264001 | PIN-ROD | 2 | |
| 7 | | 1794003 | HAIR PIN COTTER - .148 WIRE | 4 | |
| 8 | | 245165001 | LIFT - ROD BOX | 2 | |
| 9 | | 2109003 | PIN LOCKING - 3/8 X 2 1/4 | 2 | |
| 10 | | 287665001 | COVER - ROD BOX - ROD LOADER | 1 | |
| 11 | | 296274030 | THREAD - COMPOUND 3/10PACKS - CARTRIDGES | 1 | |
| | | 296274031 | THREAD - COMPOUND CARTRIDGE 30 PACK | 1 | |

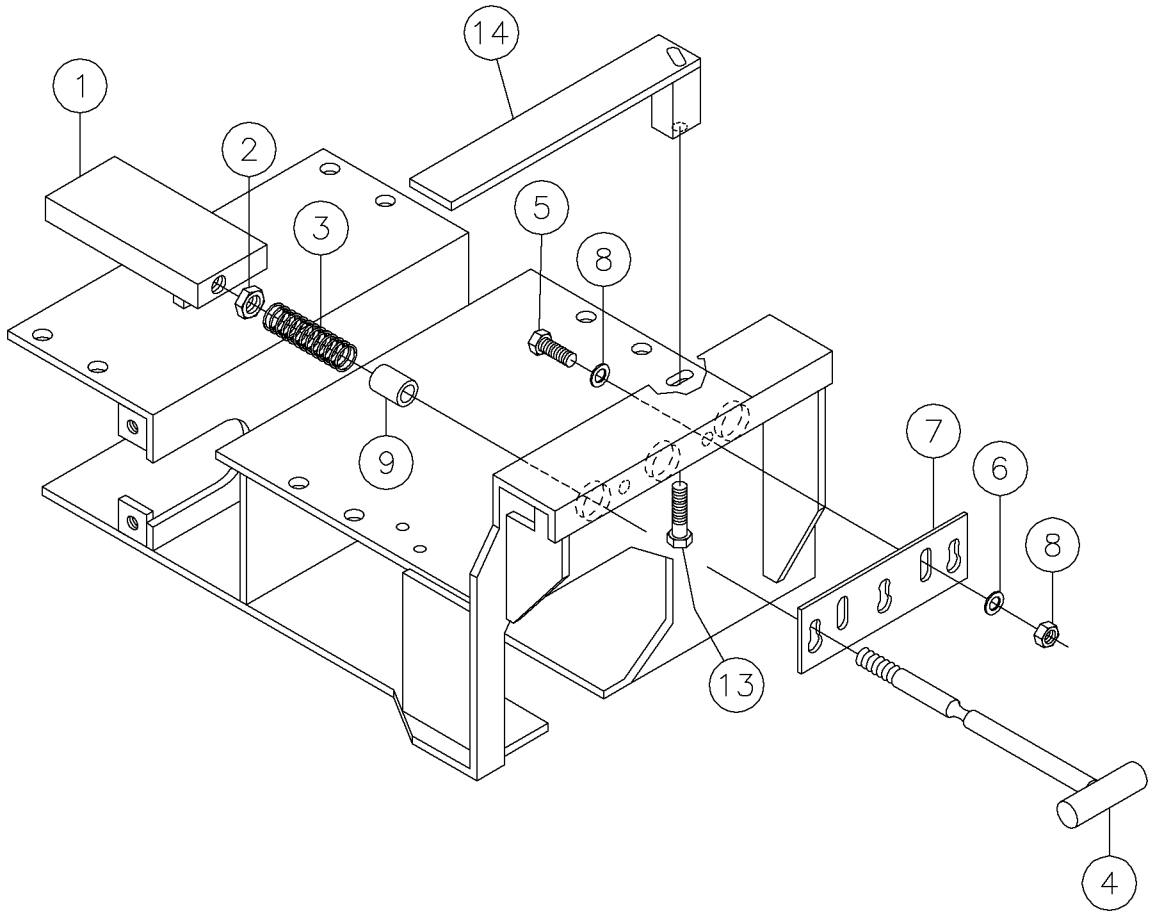
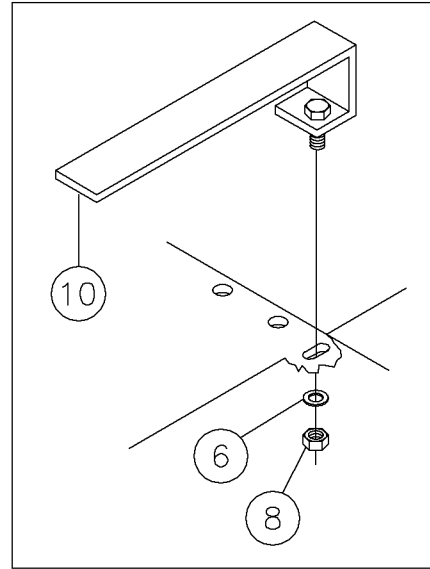
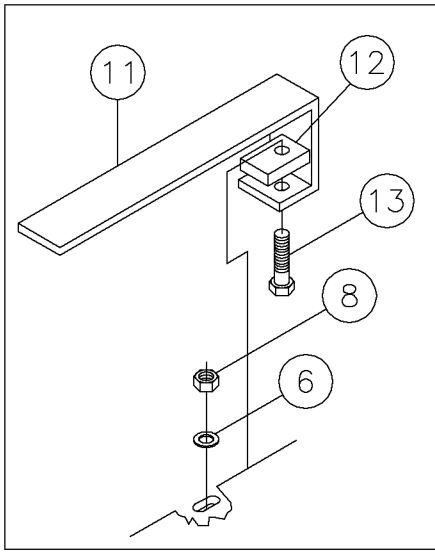
Rod Box Fig 11-16r03



Rod Box Fig 11-16r03

| REF. NO. | * | PART NO. | DESCRIPTION | QTY. | REMARKS |
|----------|---|---------------|---------------------------------|------|--------------------------------------|
| | | Revision Date | July, 2002 | | Update In Illustration & Parts List. |
| 1 | | 245164003 | ROD BOX ASS'Y-DOMESTIC | 1 | Inc Ref No's 2-4 |
| | | 245164005 | ROD BOX ASS'Y-INTERNATIONAL | 1 | Inc Ref No's 2-4 |
| 2 | | 7000A627 | DECAL-DANGER | 2 | Domestic |
| | | 7001A627 | DECAL-DANGER | 2 | International |
| 3 | | 70000563 | DECAL-WARNING (UND) | 2 | Domestic |
| | | 7000I-563 | DECAL-WARNING (UND) | 2 | International |
| 4 | | 70001-445 | DECAL-FIT POINT | 2 | |
| 5 | | 250343001 | PIN-ROD | 2 | |
| 6 | | 250264001 | PIN-ROD | 2 | |
| 7 | | 1794003 | HAIR PIN COTTER - .148 WIRE | 4 | |
| 8 | | 245165001 | LIFT-ROD BOX | 2 | |
| 9 | | 2109003 | PIN LOCKING - 3/8 X 2 1/4 | 2 | |
| 10 | * | 287665001 | COVER - ROD BOX - ROD LOADER | 1 | |
| 11 | | 275927962 | THRD. COMPND-PLUSCO 135-10 PACK | 1 | |
| | | 275928982 | THRD. COMPND-PLUSCO 135-40 PACK | 1 | |

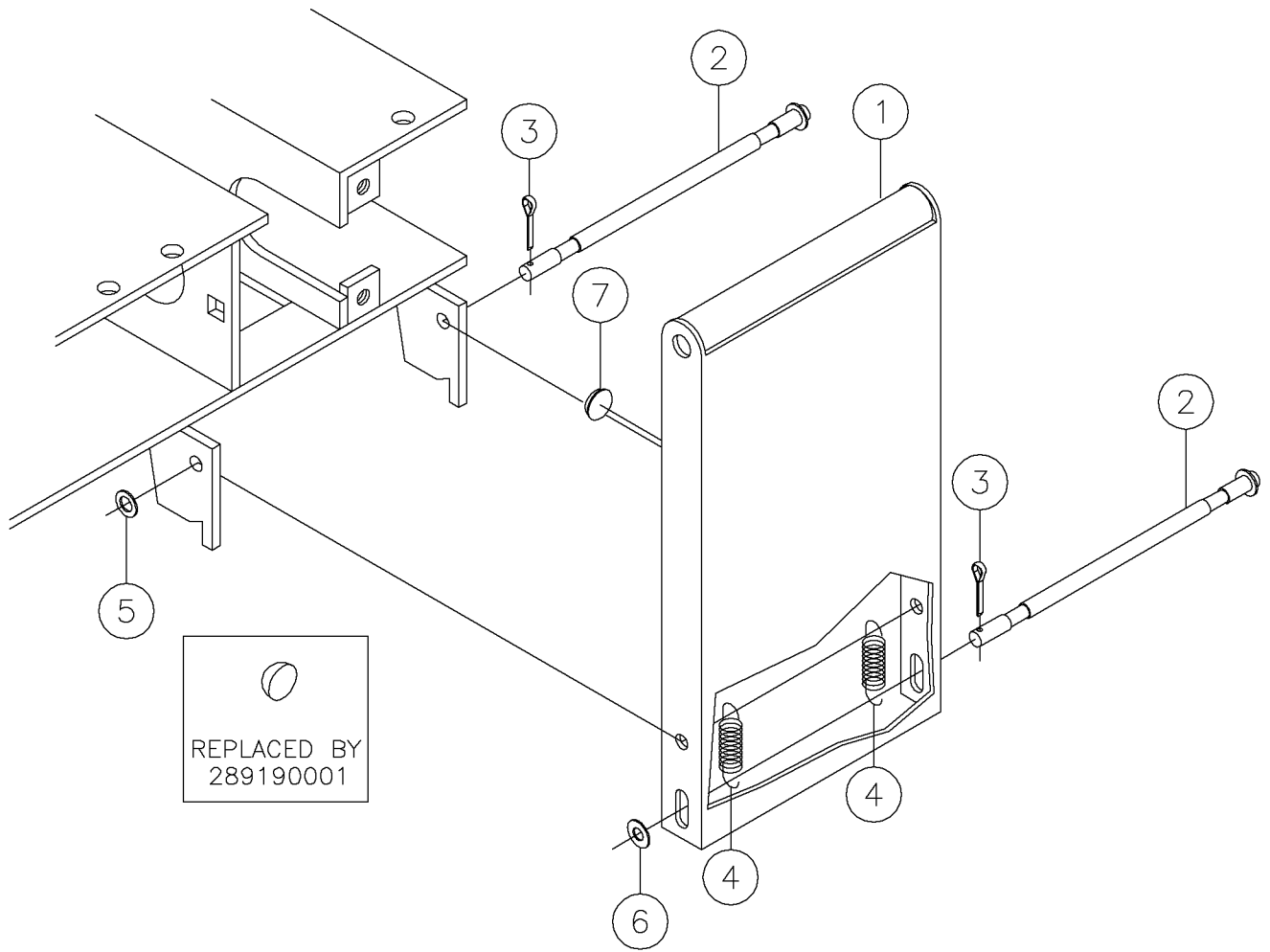
Row Selector Fig 11-17r03



Row Selector Fig 11-17r03

| REF. NO. | * | PART NO. | DESCRIPTION | QTY. | REMARKS |
|----------|---|---------------|---|------|--------------------------------------|
| | | Revision Date | July, 2002 | | Update In Illustration & Parts List. |
| 1 | | 246407001 | ROD-SLIDE STOP | 3 | |
| 2 | | 235722001 | NUT-1/2-13 GR8 JAM ZINC PLTD | 3 | |
| 3 | | 246425001 | SPRING-COMP. #44 3.12X.750X.091 | 3 | |
| 4 | | 250354001 | BOLT-TEE | 3 | |
| 5 | | 235727001 | BOLT-3/8-16X1 GR 8 HEX ZINC PLT | 2 | |
| 6 | * | 235713001 | WASHER - FLATSTRL - .38 - .41 X .81 - .06-YA-A325 | 5 | |
| 7 | | 250351001 | PLATE-KEY HOLE | 1 | |
| 8 | | 235725001 | NUT-3/8-16 GR 8 ZIN C PLTD | 3 | |
| 9 | | 250276001 | SPACER-CYLINDER | 3 | |
| 10 | * | 282803001 | KEEPER-T-BAR | 1 | S/N 489- 932 |
| 11 | * | 289162001 | KEEPER - T-BAR | | S/N 993 - |
| 12 | * | 289163001 | SPACER - T-BAR | | S/N 993 - |
| 13 | * | 235723001 | SCREW - HCS -.38 - 16 X 1.50 - GR8 - YZ | | S/N 993 - |
| 14 | * | 289199001 | WELDMENT - T - BAR KEEPER | | |

Shield Fig 11-18r01

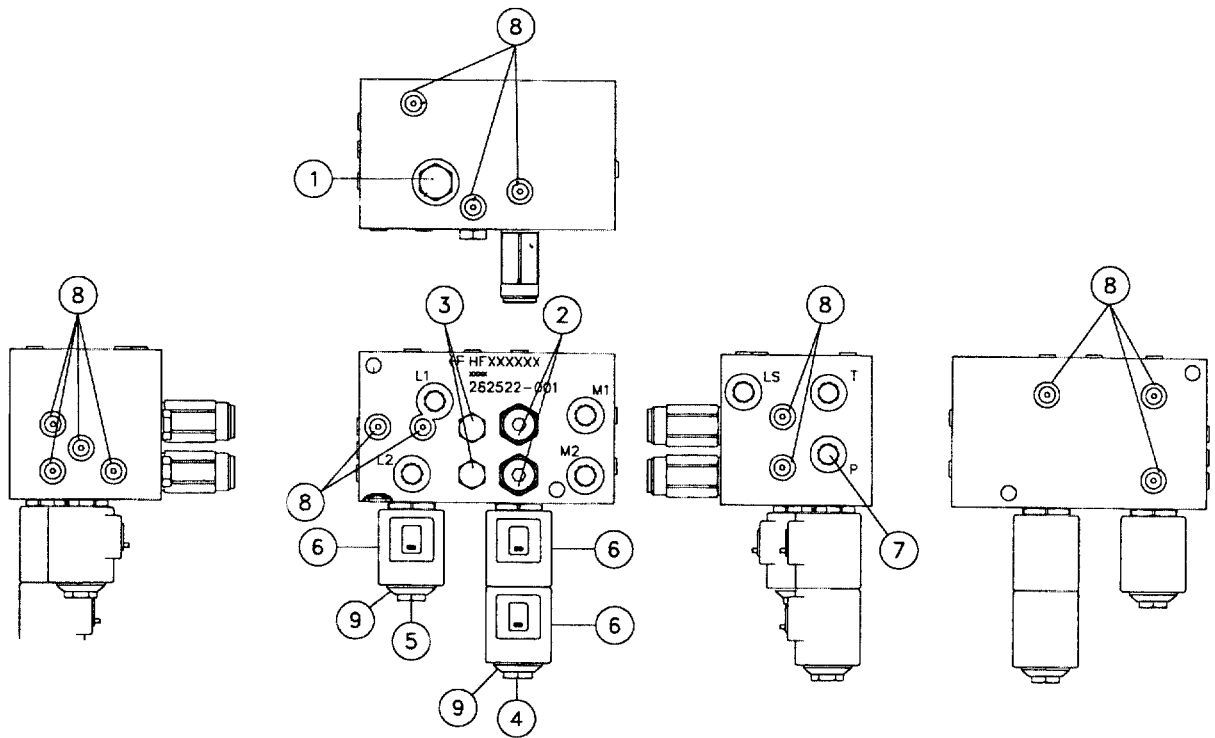


Shield Fig 11-18r01

| REF. NO. | * | PART NO. | DESCRIPTION | QTY. | REMARKS |
|----------|---|---------------|---|------|--------------------------------------|
| | | Revision Date | July, 2002 | | Update In Illustration & Parts List. |
| 1 | | 250333001 | SHIELD - SELECTOR BAR | 2 | |
| 2 | | 250280001 | PIN-SHIELD | 4 | |
| 3 | | 510009 | COTTER PIN-1/8" X 1" | 4 | |
| 4 | | 246421001 | SPRING-EXT. COT 1.88X.531X.080 | 4 | |
| 5 | | 235713001 | WASHER-3/8 SAE HARD ZINC PLTD | 2 | |
| 6 | | 485005 | WASHER-5/16 FLAT | 2 | |
| 7 | * | 289190001 | BUMPER - RUBBER SELF ADHESIVE 3/4" DIA. | 2 | |

Loader Valve Components (S/N 386 462-) Fig 11-19

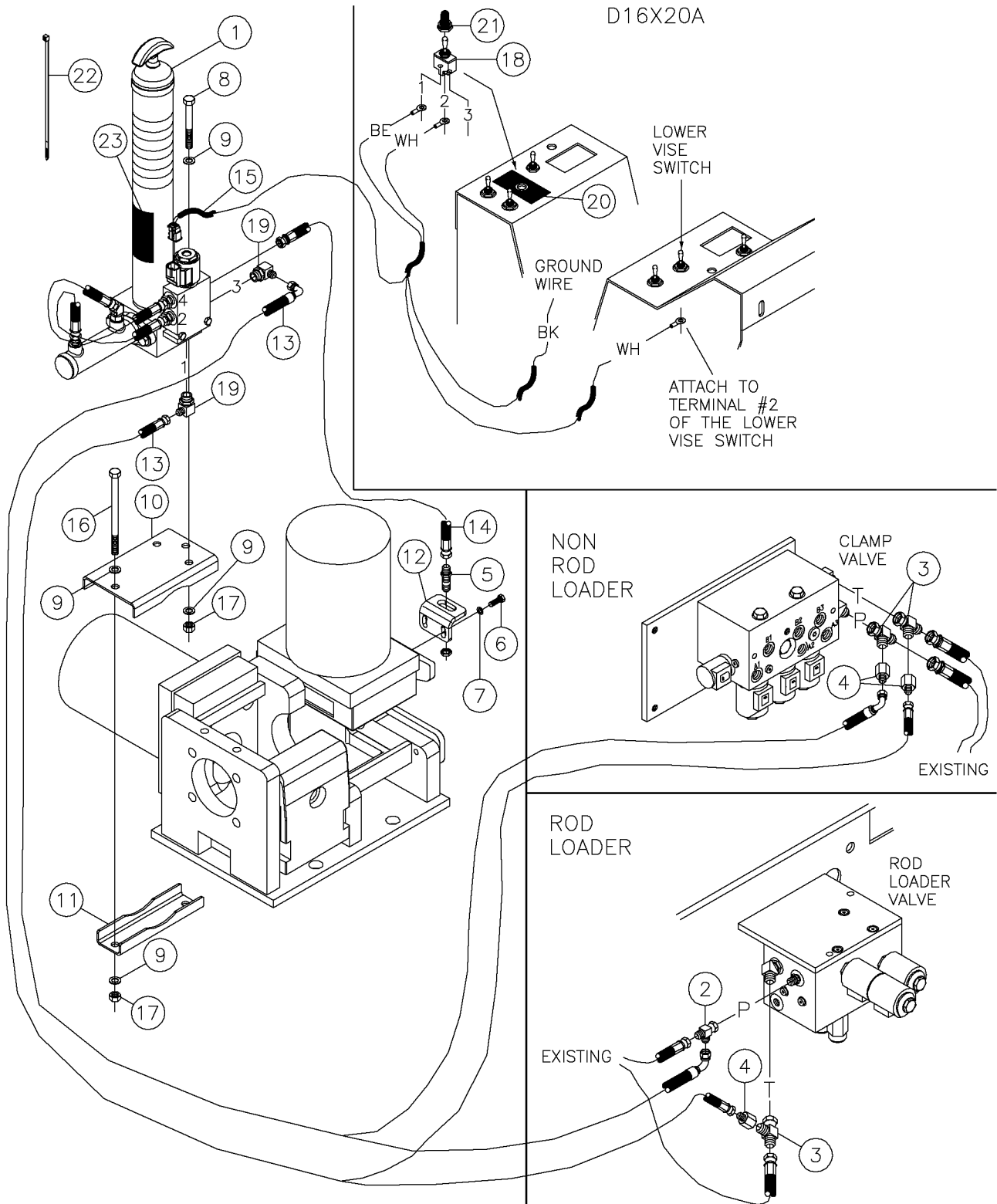
Revised January 2000 due to addition of figure to manual.



Loader Valve Components (S/N 386 462-) Fig 11-19

| REF. NO. | * | PART NO. | DESCRIPTION | QTY. | REMARKS |
|----------|---|-----------|-------------------------|------|------------------------------|
| 1 | | 500659003 | VALVE-CHECK CARTRIDGE | 1 | |
| 1 | | 212851009 | SEAL KIT | 1 | |
| 1 | | 246415003 | VALVE LOADER | 1 | |
| 2 | | 246415005 | VALVE-SEQUENCE | 2 | |
| 2 | | 246417007 | SEAL KIT | 2 | |
| 3 | | 228128013 | SENSE-CHECK | 2 | |
| 4 | | 282522002 | SPOOL 4 WAY, 3 POS, C/C | 1 | |
| 4 | | 206271007 | SEAL KIT | 1 | |
| 5 | | 228128003 | CARTRIDGE-SOLENOID | 1 | |
| 5 | | 206271007 | SEAL KIT | 1 | |
| 6 | | 251112005 | COIL-10 DL 12V/SPL | 3 | |
| 7 | | 240326003 | ORIFICE PLUG | 1 | |
| 8 | | 240324015 | PORT PLUG | 15 | |
| 9 | | 280624001 | RAIN-PROOF COIL | 2 | |
| | | | | | |
| | | 282522001 | VALVE LOADER | | Includes All Items In Figure |

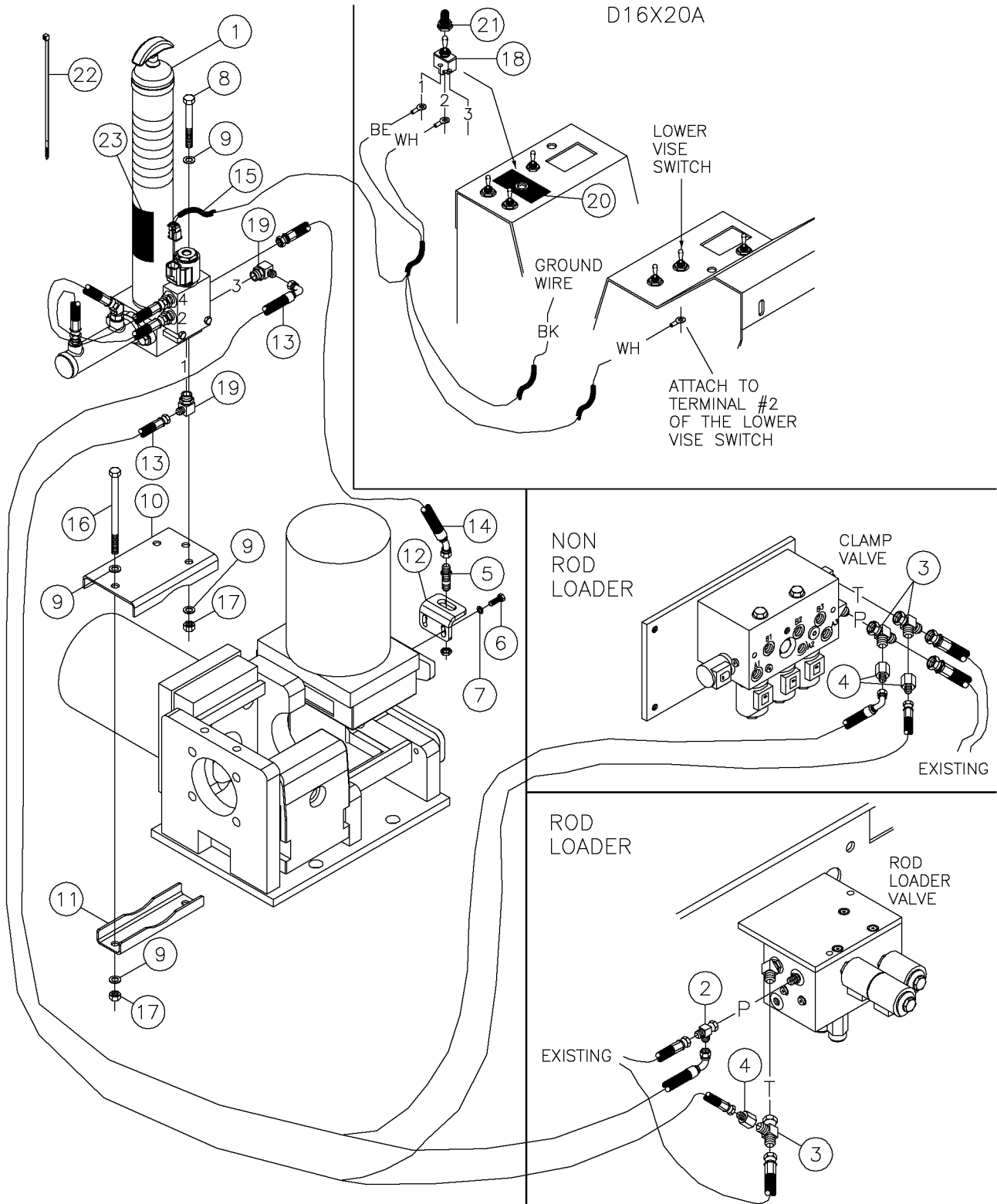
AutoGreaser Assy Fig 12-1r01



AutoGreaser Assy Fig 12-1r01

| REF. NO. | * | PART NO. | DESCRIPTION | QTY. | REMARKS |
|----------|---|---------------|---|------|--------------------------------------|
| | | Revision Date | May, 2005 | | Update In Illustration & Parts List. |
| 1 | | 294900001 | GREASE PUMP AY - VAR DISP | 1 | Breakdown Fig. 12-2r02 |
| 2 | | 60248001 | TEE-4M JICX4M JICX4FS JIC | 1 | |
| 3 | | 59427001 | TEE-6MJ-6FSJ-6MJ | 2 | |
| 4 | | 59928001 | 6F JICX4M JIC ST REDUCER | 2 | |
| 5 | | 65564001 | FITTING - 4M JIC BULKHEAD ST. | 1 | |
| 6 | | 235734001 | BOLT-1/4-20X3/4 GR8 ZINC PLTD | 2 | |
| 7 | | 510337603 | WASHER-FLATSTD-.25-.31X.75-.07-YZ | 2 | |
| 8 | | 235743001 | SCREW - HCS - .38 - 16 X 3.00 - GR8-YZ | 2 | |
| 9 | | 235713001 | WASHER - FLATSTRL - .38 - .41 X .81 - .06-YA-A325 | 8 | |
| 10 | | 296266577 | BLOCK - MOUNT | 1 | |
| 11 | | 296266579 | BLOCK - LOWER MOUNT | 1 | |
| 12 | | 296266585 | BLOCK - NOZZLE | 1 | |
| 13 | | 53843583 | HOSE-1/4X112 4FSJIC 4FSJIC 90D | 2 | |
| 14 | | 53843497 | HOSE-1/4X13 4FS JIC 5000 PSI | 1 | |
| 15 | | 296260414 | HARNESS - GREASER | 1 | |
| 16 | | 238214001 | BOLT 3/8-16 X 6" Gr8 HEX Y\ZINC | 2 | |
| 17 | | 235725001 | NUT - HEX - .38 - 16 - GR8 - YZ | 4 | |
| 18 | | 57938001 | SWITCH-8510K2 | 1 | |
| 19 | | 57950001 | FITTING-90-4MJ-6MORBA | 2 | |
| 20 | | 700IB914 | DECAL - AUTO GREASER | 1 | |
| 21 | | 5537001 | COVER-TOGGLE SWITCH | 1 | |
| 22 | | 59634001 | NYTIE - 8" | 12 | |
| 23 | | 7000A864 | DECAL-WARNING DOMESTIC | 1 | |
| | | 700IA864 | DECAL-WARNING INTERNATIONAL | 1 | International |

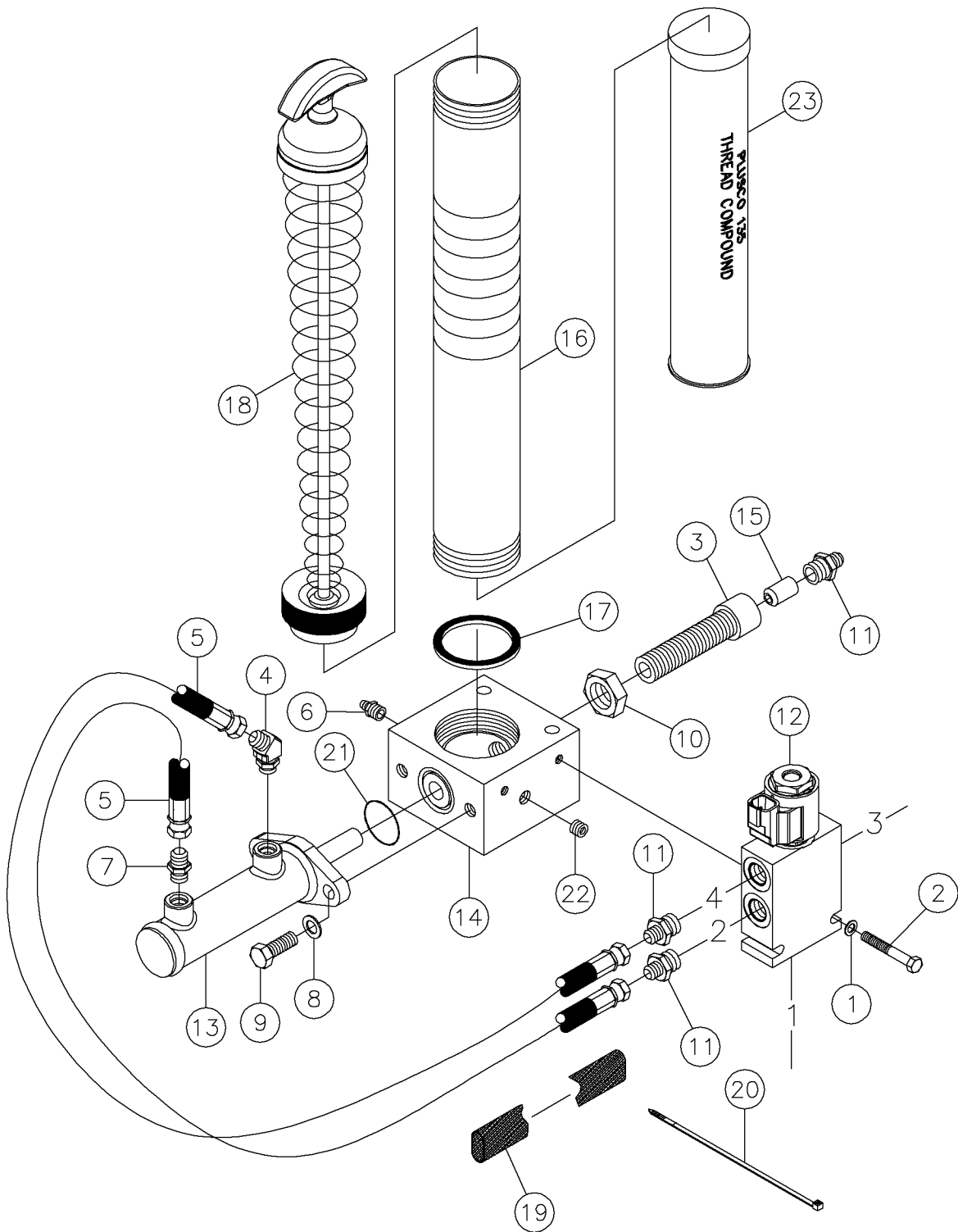
AutoGreaser Assy Fig 12-1



AutoGreaser Assy Fig 12-1

| REF. NO. | * | PART NO. | DESCRIPTION | QTY. | REMARKS |
|----------|---|---------------|---|------|--------------------|
| | | Revision Date | July, 2002 | | Addition To Manual |
| 1 | | 294900001 | GREASE PUMP AY - VAR DISP | 1 | |
| 2 | | 60248001 | TEE-4M JICX4M JICX4FS JIC | 1 | |
| 3 | | 59427001 | TEE-6MJ-6FSJ-6MJ | 2 | |
| 4 | | 59928001 | 6F JICX4M JIC ST REDUCER | 2 | |
| 5 | | 65564001 | FITTING - 4M JIC BULKHEAD ST. | 1 | |
| 6 | | 235734001 | BOLT-1/4-20X3/4 GR8 ZINC PLTD | 2 | |
| 7 | | 510337603 | WASHER-FLATSTD-.25-.31X.75-.07-YZ | 2 | |
| 8 | | 235743001 | SCREW - HCS - .38 - 16 X 3.00 - GR8-YZ | 2 | |
| 9 | | 235713001 | WASHER - FLATSTRL - .38 - .41 X .81 - .06-YA-A325 | 8 | |
| 10 | | 296266577 | BLOCK - MOUNT | 1 | |
| 11 | | 296266579 | BLOCK - LOWER MOUNT | 1 | |
| 12 | | 296266585 | BLOCK - NOZZLE | 1 | |
| 13 | | 53843583 | HOSE-1/4X112 4FSJIC 4FSJIC 90D | 2 | |
| 14 | | 53843699 | HOSE-1/4X22 4FS ST/45 2500 PSI | 1 | |
| 15 | | 296260414 | HARNESS - GREASER | 1 | |
| 16 | | 238214001 | BOLT 3/8-16 X 6" Gr8 HEX Y\ZINC | 2 | |
| 17 | | 235725001 | NUT - HEX - .38 - 16 - GR8 - YZ | 4 | |
| 18 | | 57938001 | SWITCH-8510K2 | 1 | |
| 19 | | 57950001 | FITTING-90-4MJ-6MORBA | 2 | |
| 20 | | 700IB914 | DECAL - AUTO GREASER | 1 | |
| 21 | | 5537001 | COVER-TOGGLE SWITCH | 1 | |
| 22 | | 59634001 | NYTIE - 8" | 12 | |
| 23 | | 7000A864 | DECAL-WARNING DOMESTIC | 1 | |
| | | 700IA864 | DECAL-WARNING INTERNATIONAL | 1 | International |

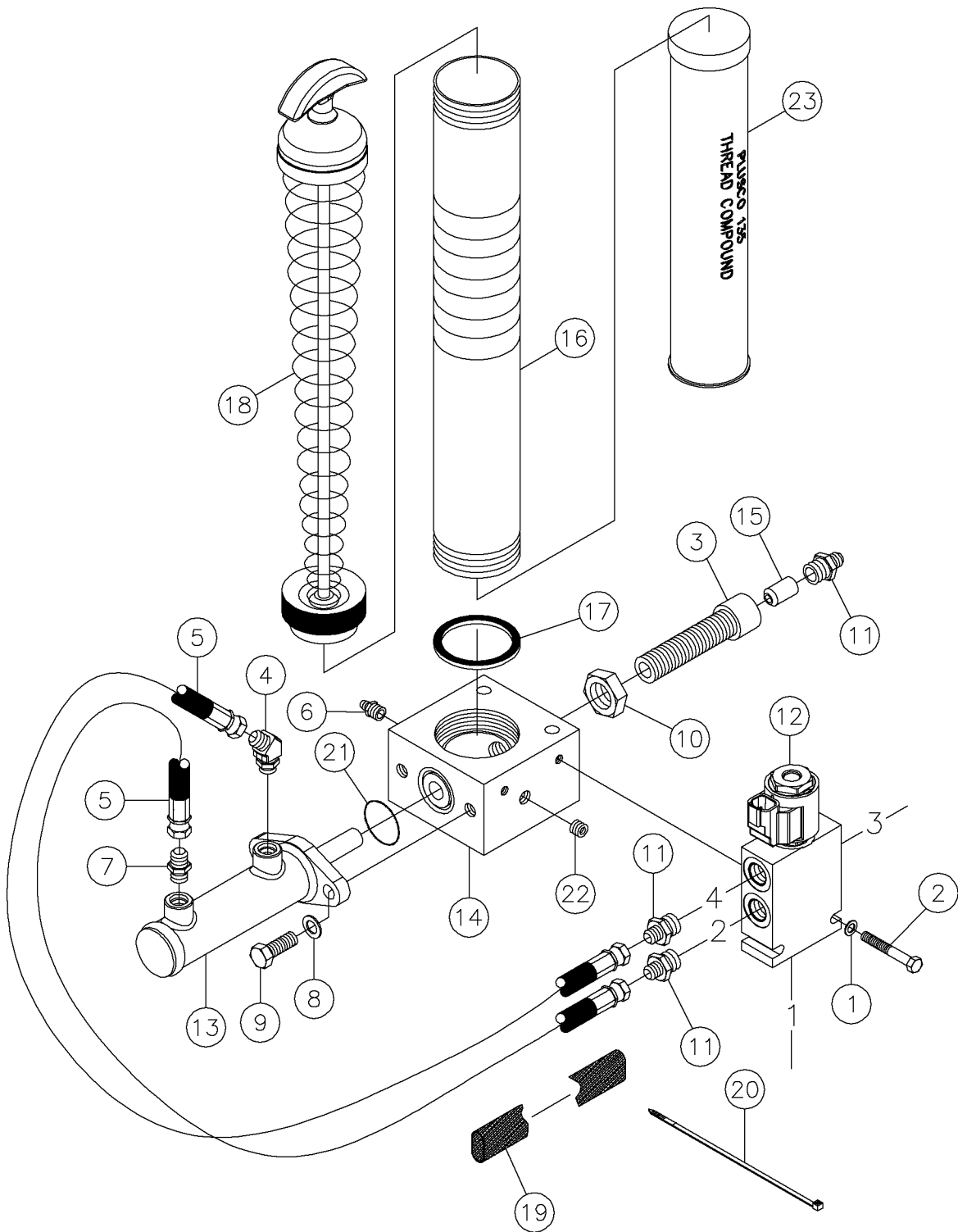
AutoGreaser Breakdown Fig 12-2r02



AutoGreaser Breakdown Fig 12-2r02

| REF. NO. | * | PART NO. | DESCRIPTION | QTY. | REMARKS |
|----------|---|---------------|---|------|--------------------------------------|
| | | Revision Date | May, 2005 | | Update In Illustration & Parts List. |
| 1 | | 510337603 | WASHER-FLATSTD-.25-.31X.75-.07-YZ | 2 | |
| 2 | | 248107001 | BOLT-1/4-20X1 3/4 GR 8 ZINC PL | 2 | |
| 3 | | 294896001 | SLEEVE - GREASE PUMP | 1 | |
| 4 | | 58295001 | FITTING-4M OR X 4M JIC 45 DEG. | 1 | |
| 5 | | 53843497 | HOSE-1/4X13 4FS JIC 5000 PSI | 2 | |
| 6 | | 586001 | ZERK-1/8" ST NPT GREASE | 1 | |
| 7 | | 60908001 | FITTING-4MX4M JIC STR ADAPTER | 1 | |
| 8 | | 235713001 | WASHER - FLATSTRL - .38 - .41 X .81 - .06-YA-A325 | 2 | |
| 9 | | 235727001 | BOLT-3/8-16X1 GR8 HEX ZINC PLT | 2 | |
| 10 | | 456001 | NUT-3/4 N.F. HEX JAM | 1 | |
| 11 | | 57968001 | FITTING-STR-4MJ-6MORB | 3 | |
| 12 | | 294901001 | VALVE - GREASER | 1 | (BREAKDOWN FIG.12-4) |
| 13 | | 294899001 | CYLINDER - HYD 1 X 2-3/8 | 1 | (BREAKDOWN FIG.12-3) |
| 14 | | 294895001 | HOUSING - GREASE PUMP | 1 | |
| 15 | | 294905001 | VALVE - INSERT CHECK, 1/2" | 1 | |
| 16 | | 294910001 | TUBE - GREASE | 1 | |
| 17 | | 294902001 | GASKET - GREASE TUBE | 1 | |
| 18 | | 294903001 | FOLLOWER - GREASE TUBE AY | 1 | |
| 19 | | 235824001 | CORDURA SLEEVE-NHS-090 | A/R | |
| 20 | | 59634001 | SINGLE NYTIE - 8" | 4 | |
| 21 | | 296262010 | O-RING - 213 .139 X .921 ID | 1 | |
| 22 | | 296258613 | FITTING -1/8 NPT HEX SOCKET - .25L | 1 | |
| 23 | | 296262012 | THRD CMPND-PLUSCO 135-SINGLE CARTRIDGE | 1 | |
| | | 296274030 | THREAD - COMPOUND 3/10PACKS - CARTRIDGES | A/R | |
| | | 296274031 | THREAD - COMPOUND CARTRIDGE 30 PACK | A/R | |
| | | | | | |
| | | 294900001 | GREASE PUMP AY - VAR DISP | | (INC ALL ITEMS IN THIS FIG) |

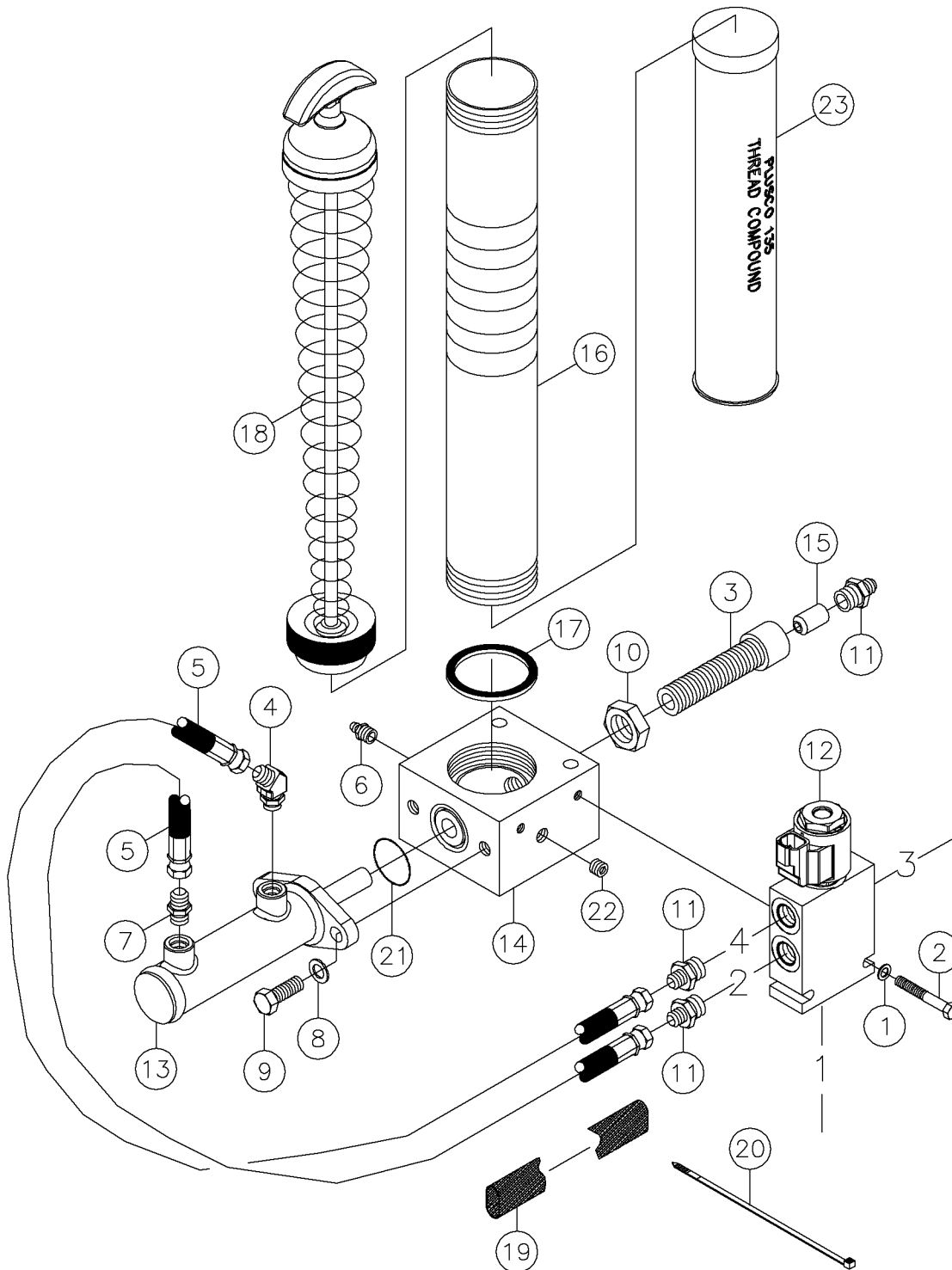
AutoGreaser Breakdown Fig 12-2r01



AutoGreaser Breakdown Fig 12-2r01

| REF. NO. | * | PART NO. | DESCRIPTION | QTY. | REMARKS |
|----------|---|---------------|---|------|--------------------------------------|
| | | Revision Date | September, 2004 | | Update In Illustration & Parts List. |
| 1 | | 510337603 | WASHER-FLATSTD-.25-.31X.75-.07-YZ | 2 | |
| 2 | | 248107001 | BOLT-1/4-20X1 3/4 GR 8 ZINC PL | 2 | |
| 3 | | 294896001 | SLEEVE - GREASE PUMP | 1 | |
| 4 | | 58295001 | FITTING-4M OR X 4M JIC 45 DEG. | 1 | |
| 5 | | 53843195 | HOSE-1/4X16 4FS JIC 3000 PSI | 2 | |
| 6 | | 586001 | ZERK-1/8" ST NPT GREASE | 1 | |
| 7 | | 60908001 | FITTING-4MX4M JIC STR ADAPTER | 1 | |
| 8 | | 235713001 | WASHER - FLATSTRL - .38 - .41 X .81 - .06-YA-A325 | 2 | |
| 9 | | 235727001 | BOLT-3/8-16X1 GR8 HEX ZINC PLT | 2 | |
| 10 | | 456001 | NUT-3/4 N.F. HEX JAM | 1 | |
| 11 | | 57968001 | FITTING-STR-4MJ-6MORB | 3 | |
| 12 | | 294901001 | VALVE - GREASER | 1 | (BREAKDOWN FIG.12-4) |
| 13 | | 294899001 | CYLINDER - HYD 1 X 2-3/8 | 1 | (BREAKDOWN FIG.12-3) |
| 14 | | 294895001 | HOUSING - GREASE PUMP | 1 | |
| 15 | | 294905001 | VALVE - INSERT CHECK, 1/2" | 1 | |
| 16 | | 294910001 | TUBE - GREASE | 1 | |
| 17 | | 294902001 | GASKET - GREASE TUBE | 1 | |
| 18 | | 294903001 | FOLLOWER - GREASE TUBE AY | 1 | |
| 19 | | 235824001 | CORDURA SLEEVE-NHS-090 | A/R | |
| 20 | | 59634001 | SINGLE NYTIE - 8" | 4 | |
| 21 | | 296262010 | O-RING - 213 .139 X .921 ID | 1 | |
| 22 | | 296258613 | FITTING -1/8 NPT HEX SOCKET - .25L | 1 | |
| 23 | | 296262012 | THRD CMPND-PLUSCO 135-SINGLE CARTRIDGE | 1 | |
| | | 296274030 | THREAD - COMPOUND 3/10PACKS - CARTRIDGES | A/R | |
| | | 296274031 | THREAD - COMPOUND CARTRIDGE 30 PACK | A/R | |
| | | | | | |
| | | 294900001 | GREASE PUMP AY - VAR DISP | | (INC ALL ITEMS IN THIS FIG) |

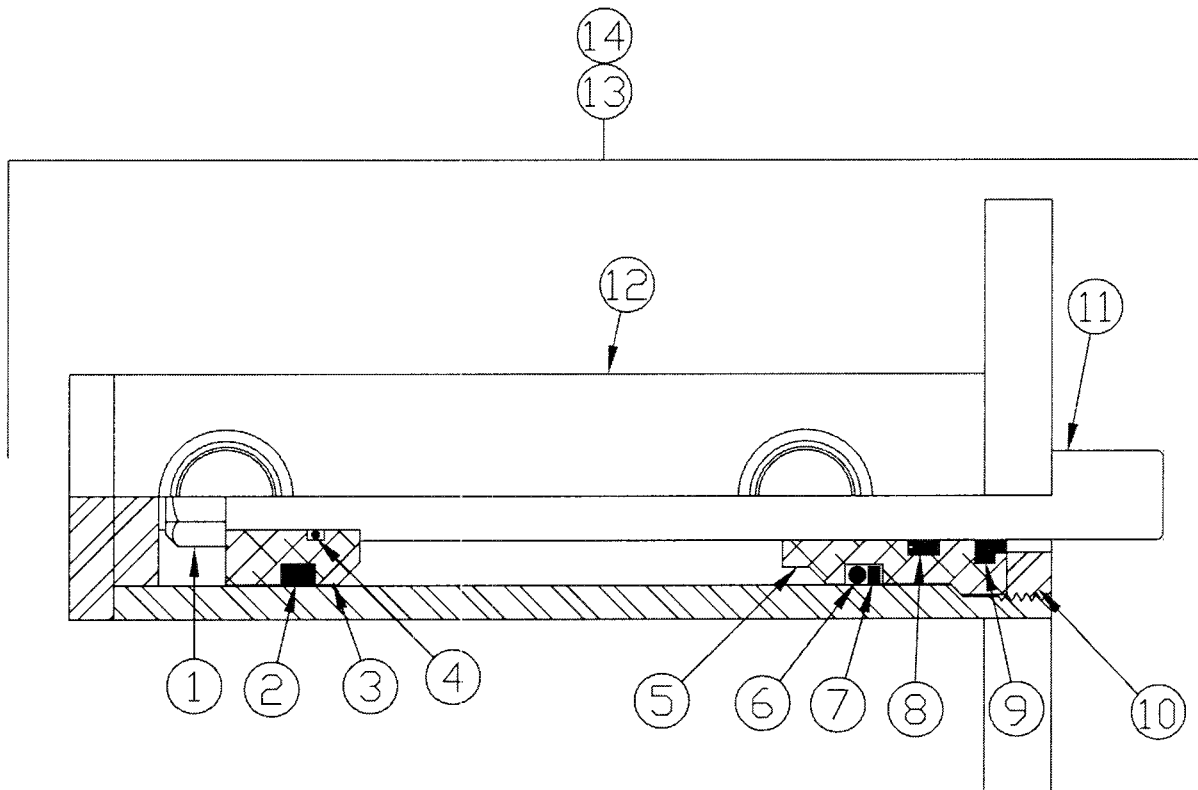
AutoGreaser Breakdown Fig 12-2



AutoGreaser Breakdown Fig 12-2

| REF. NO. | * | PART NO. | DESCRIPTION | QTY. | REMARKS |
|----------|---|---------------|--|------|---------------------|
| | | Revision Date | July, 2002 | | Addition To Manual |
| 1 | | 510337603 | WASHER-FLATSTD-.25-.31X.75-.07-YZ | 2 | |
| 2 | | 248107001 | BOLT-1/4-20X1 3/4 GR 8 ZINC PL | 2 | |
| 3 | | 294896001 | SLEEVE - GREASE PUMP | 1 | |
| 4 | | 58295001 | FITTING-4M OR X 4M JIC 45 DEG. | 1 | |
| 5 | | 53843195 | HOSE-1/4X16 4FS JIC 3000 PSI | 2 | |
| 6 | | 586001 | ZERK-1/8" ST NPT GREASE REF TR00484 | 1 | |
| 7 | | 60908001 | FITTING-4MX4M JIC STR ADAPTER | 1 | |
| 8 | | 235713001 | WASHER - FLATSTRL - .38 - .41 X .81 - .06-YA-A325 | 2 | |
| 9 | | 235727001 | BOLT-3/8-16X1 GR8 HEX ZINC PLT | 2 | |
| 10 | | 456001 | NUT-3/4 N.F. HEX JAM REF T03763 | 1 | |
| 11 | | 57968001 | FITTING-STR-4MJ-6MORB | 3 | |
| 12 | | 294901001 | VALVE - GREASER | 1 | Breakdown Fig. 12-4 |
| 13 | | 294899001 | CYLINDER - HYD 1 X 2-3/8 | 1 | Breakdown Fig. 12-3 |
| 14 | | 294895001 | HOUSING - GREASE PUMP | 1 | |
| 15 | | 294905001 | VALVE - INSERT CHECK, 1/2" | 1 | |
| 16 | | 294910001 | TUBE - GREASE | 1 | |
| 17 | | 294902001 | GASKET - GREASE TUBE | 1 | |
| 18 | | 294903001 | FOLLOWER - GREASE TUBE AY | 1 | |
| 19 | | 235824001 | CORDURA SLEEVE-NHS-090 | | |
| 20 | | 59634001 | NYTIE - 8" | 4 | |
| 21 | | 296262010 | O-RING - 213 .139 X .921 ID | 1 | |
| 22 | | 296258613 | FITTING -1/8 NPT HEX SOCKET - .25L | 1 | |
| 23 | | 296262012 | THRD CMPND - PLUSCO 135 - SINGLE CARTRIDGE | 1 | |
| | | 275927982 | THRD CMPND - PLUSCO 135 - 10 PACK | A/R | |
| | | 275928982 | THRD CMPND - PLUSCO 135 - 4/10 PACK | A/R | |

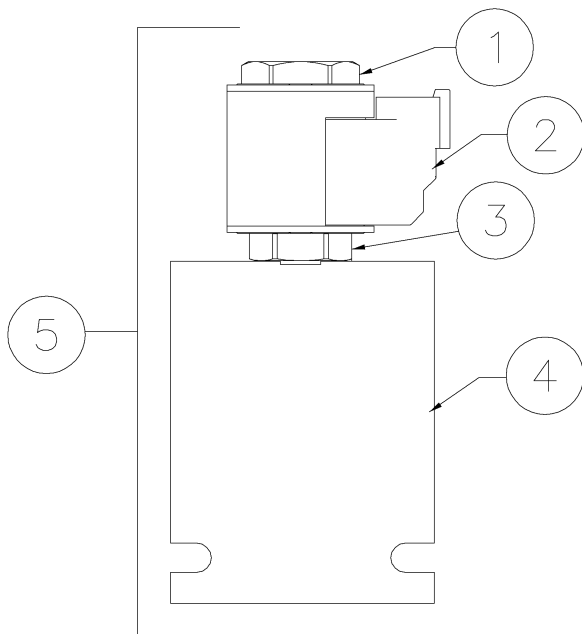
Cylinder Components Fig 12-3



Cylinder Components Fig 12-3

| REF. NO. | * | PART NO. | DESCRIPTION | QTY. | REMARKS |
|----------|---|---------------|--------------------------|------|--------------------|
| | | Revision Date | July, 2002 | | Addition To Manual |
| 1 | | 236113003 | NUT | 1 | |
| 2 | | NSS | PSP - SEAL | 1 | |
| 3 | | 296251772 | PISTON | 1 | |
| 4 | | NSS | O-RING | 1 | |
| 5 | | 234359007 | HEAD | 1 | |
| 6 | | NSS | O-RING | 1 | |
| 7 | | NSS | BACKUP | 1 | |
| 8 | | NSS | ROD SEAL | 1 | |
| 9 | | NSS | DUST SEAL | 1 | |
| 10 | | 234359013 | COLLAR | 1 | |
| 11 | | 296265525 | ROD-CYLINDER | 1 | |
| 12 | | 296265524 | BODY-CYLINDER | 1 | |
| 13 | | 294899001 | CYLINDER - HYD 1 X 2-3/8 | 1 | Inc. Ref 1-12 |
| 14 | | 296251775 | SEAL KIT | 1 | Inc. Ref 2,4,& 6-9 |

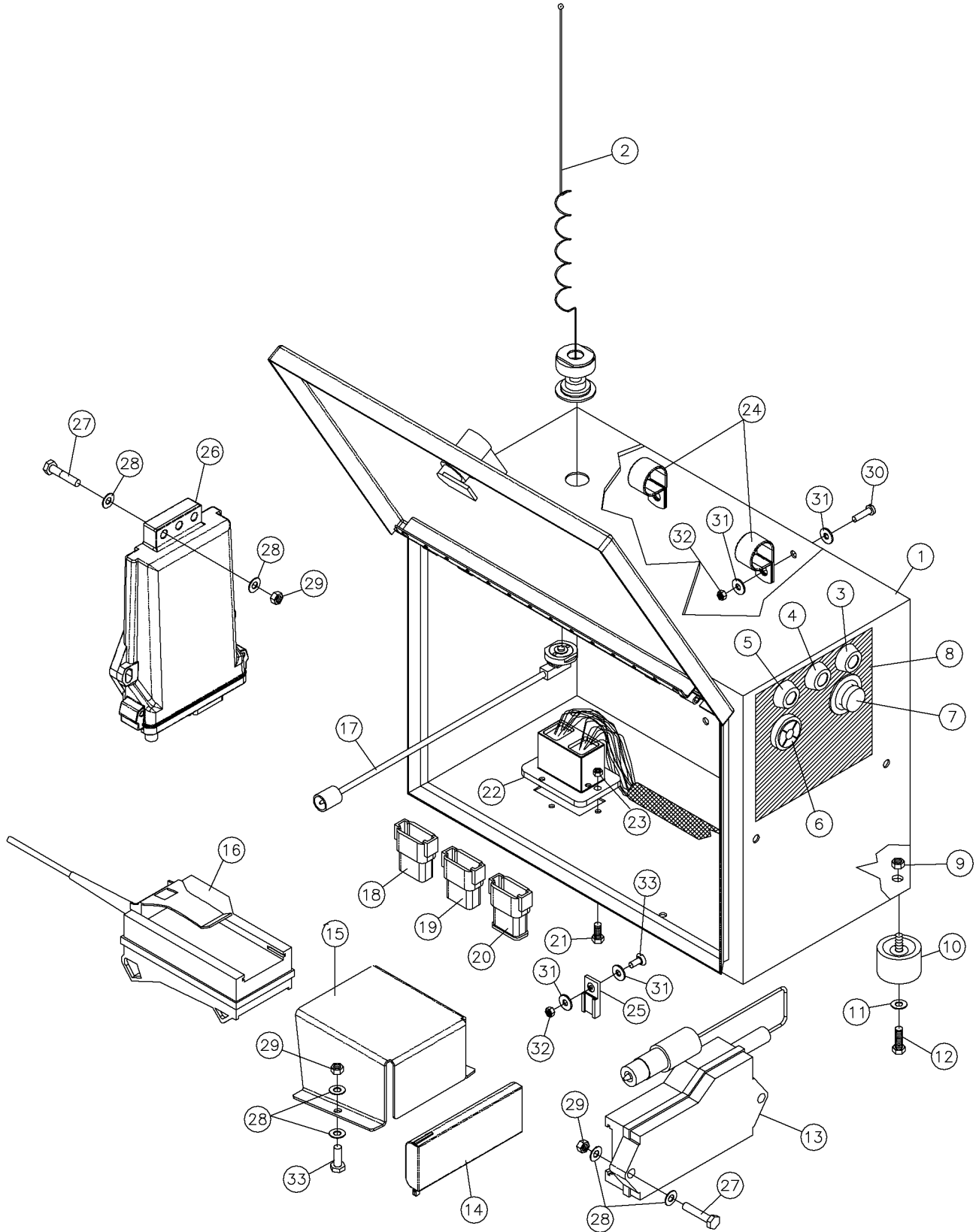
Valve Components Fig 12-4



Valve Components Fig 12-4

| REF. NO. | * | PART NO. | DESCRIPTION | QTY. | REMARKS |
|----------|---|---------------|----------------------|------|--------------------------|
| | | Revision Date | July, 2002 | | Addition To Manual |
| 1 | | 296265526 | NUT-COIL | 1 | |
| 2 | | 296265527 | COIL | 1 | |
| 3 | | 244725009 | CARTRIDGE - SOLENOID | 1 | |
| | | 244725011 | SEAL KIT | 1 | |
| 4 | | NSS | BLOCK | 1 | |
| 5 | | 294901001 | VALVE - GREASER | 1 | Inc. All Items In Figure |

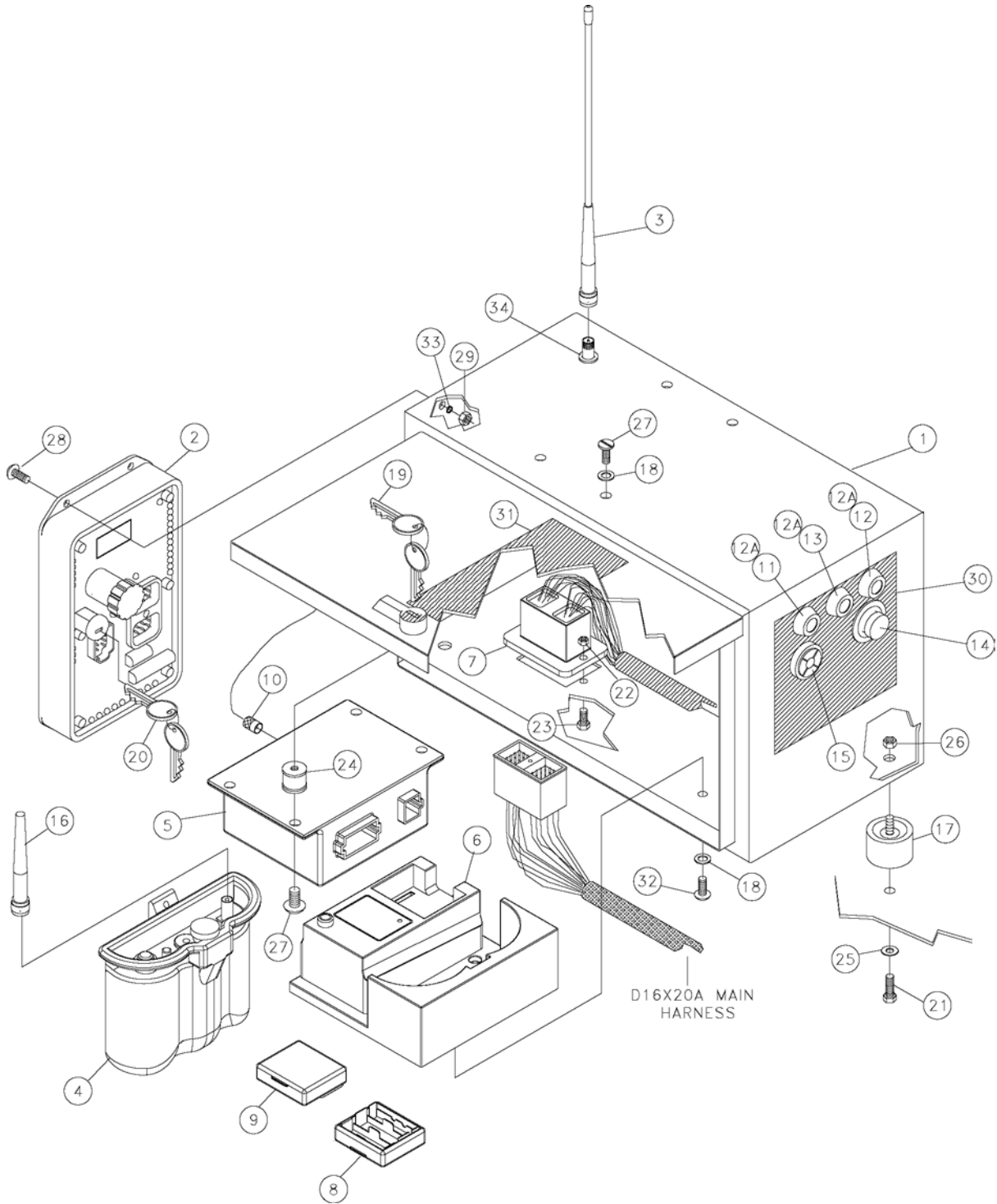
Remote Lockout (S/N 1400-) Fig 13-1r02



Remote Lockout (S/N 1400-) Fig 13-1r02

| REF. NO. | * | PART NO. | DESCRIPTION | QTY. | REMARKS |
|----------|---|---------------|---|------|--------------------------------------|
| | | Revision Date | May, 2006 | | Update In Illustration & Parts List. |
| 1 | | 296280304 | ASSEMBLY - REMOTE LOCKOUT BOX | 1 | |
| 2 | | 296272364 | ANTENNA -915 MHZ, 3 dBI, 1/4 WAVE | 1 | |
| 3 | | 81374001 | LIGHT-GREEN WARNING #338-8049 | 1 | |
| | | 70889001 | BULB. #112-1418 | 1 | |
| 4 | | 86581001 | LIGHT-WARNING (AMBER) | 1 | |
| | | 70889001 | BULB. #112-1418 | 1 | |
| 5 | | 27148001 | LIGHT-RED WARNING | 1 | |
| | | 70889001 | BULB. #112-1418 | 1 | |
| 6 | | 286920001 | REMOTE LOCKOUT BUZZER | 1 | |
| 7 | | 260766001 | SWITCH-MOM BUTTON NO | 1 | |
| 8 | | 700IC569 | DECAL - REMOTE LOCKOUT | 1 | |
| 9 | | 235714001 | WASHER - FLATSTRL - .31 - .34 X .69 - .06-YZ-A325 | 4 | |
| 10 | | 287706001 | MOUNT - 50 DUROMETER X 1.5 X 1.0 | 4 | |
| 11 | | 235741001 | NUT - HEX - .31 - 18 - GR8 -YZ | 4 | |
| 12 | | 235742001 | BOLT-5/16-18X3/4 GR8 ZYC | 4 | |
| 13 | | 296272392 | CHARGER, 12-VOLT NBB | 1 | |
| 14 | | 296272400 | BATTERY - 1000MA NBB | 1 | |
| 15 | | 296280310 | PLATE - REMOTE LOCKOUT HOLDER | 1 | |
| 16 | | 296272303 | ASM - R309LK FOR HDD | 1 | |
| 17 | | 296272607 | MOUNT-ANTENNA MOTOROLA TYPE RG-58-4' | 1 | |
| 18 | | 296270218 | BLOCK - RESISTOR BN LK3 | 1 | |
| 19 | | 296270219 | BLOCK - RESISTOR GN LK3 | 1 | |
| 20 | | 700000102 | BUSS - 1 - 12PIN - B - NICKEL | 1 | |
| 21 | | 63737001 | SCREW-6-32X1/2 MACHINE | 2 | |
| 22 | | 296272598 | HARNESS - REMOTE LOCKOUT | 1 | |
| 23 | | 69757001 | LOCKNUT-#6-32 NYLON INSERT PLT | 2 | |
| 24 | | 2595009 | CLAMP-1 1/4 HOSE #7701164 | 2 | |
| 25 | | 104058001 | CLIP-DT RECEPTACLES | 3 | |
| 26 | | 296272507 | B309LK3,UPGRADE HYD SHUTDOWN FACTORY DOM | 1 | |
| 27 | | 250008001 | BOLT 1/4-20 X 1 1/4 ZINC PL | 5 | |
| 28 | | 235716001 | WASHER - FLATSTRL - .25 -.28 X .63 - .06 - CZ | 14 | |
| 29 | | 235732001 | NUT - HEX - .25 - 20 - GR8 - YZ | 7 | |
| 30 | | 1802006 | BOLT-10-24 X 3/4 RND HD STOVE | 2 | |
| 31 | | 485001 | WASHER - FLATSTD - .19 - .22 X .56 - .05 - CZ | 10 | |
| 32 | | 99042001 | NUT - NYLOCK - 10 - 24 - GR2 - CZ | 5 | |
| 33 | | 235734001 | BOLT-1/4-20X3/4 GR8 ZYC | 2 | |

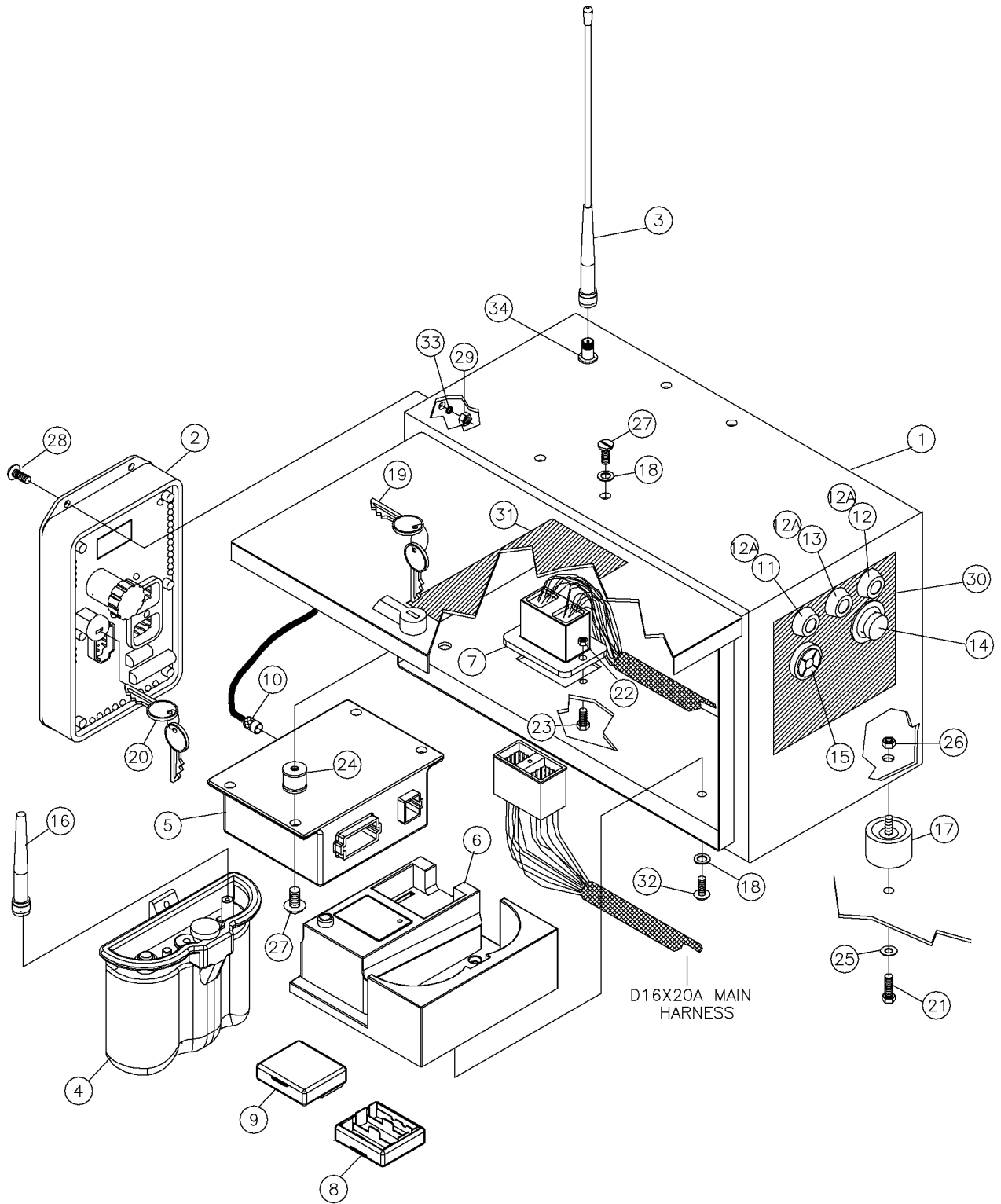
Remote Lockout Fig 13-1r01



Remote Lockout Fig 13-1r01

| REF. NO. | * | PART NO. | DESCRIPTION | QTY. | REMARKS |
|----------|---|---------------|---|------|-------------------------------|
| | | Revision Date | October, 2005 | | Update In Illus. & Parts List |
| 1 | | 287712001 | BOX - REMOTE LOCKOUT | 1 | |
| 2 | | 286905001 | REMOTE LOCKOUT OVERRIDE | 1 | |
| 3 | | 286918001 | REMOTE LOCKOUT ANTENNA | 2 | |
| 4 | | 278560001 | REMOTE LOCKOUT RADIO KIT | 1 | (LOST TX 458) |
| 5 | | 278530001 | REMOTE LOCKOUT RADIO KIT | 1 | (LOST RX 458) |
| 6 | | 286903001 | REMOTE LOCKOUT DOCKING STATION | 1 | |
| 7 | | 287711001 | HARNES - LOCKOUT BOX | 1 | |
| 8 | | 296250302 | BATTERY HOLDER 3-AA | 1 | |
| 9 | | 296250300 | BATTERY - 3.5 VOLTS 1.2 AH | 1 | |
| 10 | | 296252952 | WIRE REMOTE LOCKOUT ANTENNA .5 METER | 1 | |
| 11 | | 27148001 | LIGHT-RED WARNING | 1 | |
| 12 | | 81374001 | LIGHT-GREEN WARNING #338-8049 | 1 | |
| 12A | | 70889001 | BULB. #112-1418 | 3 | |
| 13 | | 86581001 | LIGHT-WARNING | 1 | (AMBER) |
| 14 | | 260766001 | SWITCH-MOM BUTTON NO | 1 | |
| 15 | | 286920001 | REMOTE LOCKOUT BUZZER | 1 | |
| 16 | | 296252545 | REMOTE LOCKOUT MINIFLEX ANTENNA | 1 | |
| 17 | | 287706001 | MOUNT - 50 DUROMETER X 1.5 X 1.0 | 4 | |
| 18 | | 235716001 | WASHER - FLATSTRL - .25 - .28 X .63 - .06 - CZ | 8 | |
| 19 | | 296252962 | KEY LOCK - RLE BOX | 1 | |
| 20 | | 296265539 | KEY - SET OF TWO | 1 | |
| 21 | | 235742001 | BOLT-5/16-18X3/4 GR8 ZINC PLTD | 4 | |
| 22 | | 399001 | NUT-8-32 HEX | 2 | |
| 23 | | 57200001 | SCREW-#8-32X1/2 RND.HD.MACH. | 2 | |
| 24 | | 296252528 | MOUNT, SHOCK RX M6X10 | 4 | |
| 25 | | 235741001 | NUT - HEX - .31 - 18 - GR8 - YZ | 4 | |
| 26 | | 235714001 | WASHER - FLATSTRL - .31 - .34 X .69 - .06-YZ-A325 | 4 | |
| 27 | | 506031010 | SCREW-HCS,M6-1.00X10,8.8,YZ,D933,FT | 8 | |
| 28 | | 504543001 | 10-32X3/4 RH M/S ZP | 4 | |
| 29 | | 26692001 | NUT-10-32 NF HEX | 4 | |
| 30 | * | 700IC569 | DECAL - REMOTE LOCKOUT | 1 | PN Change |
| 31 | | 7000B811 | DECAL - DANGER - RLE - DOMESTIC | 1 | |
| | | 700IB811 | DECAL - DANGER - RLE INTERNATIONAL | 1 | International |
| 32 | | 533006 | SCREW 10-24 X RD HD SLT " REPLACED BY "1802006" | 4 | |
| 33 | | 480001 | WASHER-3/16 S/T LOCK REF T10253 | 4 | |
| 34 | | 296250301 | CONNECTOR BULK HEAD | 1 | |

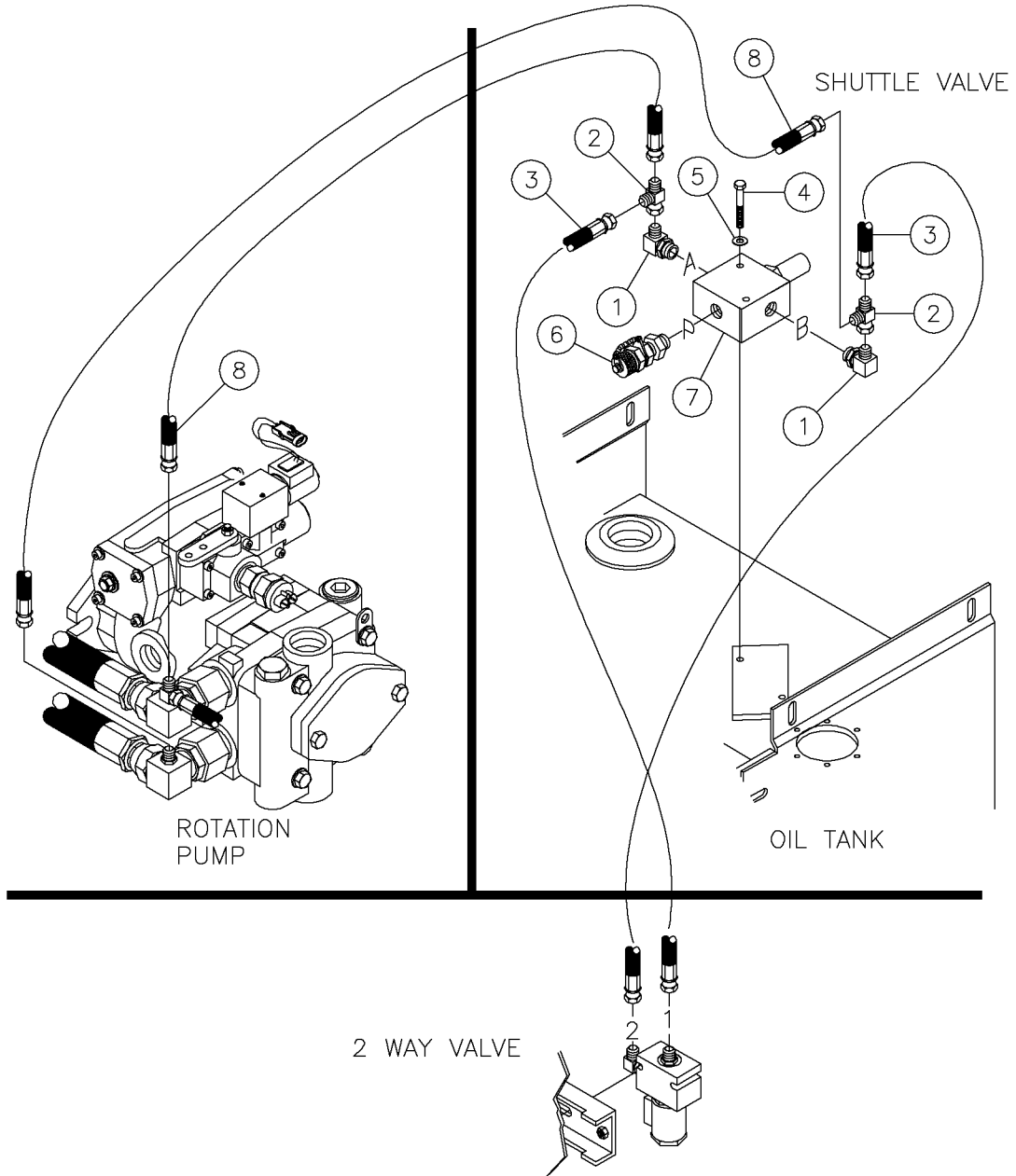
Remote Lockout Fig 13-1



Remote Lockout Fig 13-1

| REF. NO. | * | PART NO. | DESCRIPTION | QTY. | REMARKS |
|----------|---|---------------|---|------|--------------------|
| | | Revision Date | July, 2002 | | Addition To Manual |
| 1 | | 287712001 | BOX - REMOTE LOCKOUT | 1 | |
| 2 | | 286905001 | REMOTE LOCKOUT OVERRIDE | 1 | |
| 3 | | 286918001 | REMOTE LOCKOUT ANTENNA | 2 | |
| 4 | | 278560001 | REMOTE LOCKOUT RADIO KIT (LOST TX 458) | 1 | |
| 5 | | 278530001 | REMOTE LOCKOUT RADIO KIT (LOST RX 458) | 1 | |
| 6 | | 286903001 | REMOTE LOCKOUT DOCKING STATION | 1 | |
| 7 | | 287711001 | HARNES - LOCKOUT BOX | 1 | |
| 8 | | 296250302 | BATTERY HOLDER 3-AA | 1 | |
| 9 | | 296250300 | BATTERY - 3.5 VOLTS 1.2 AH | 1 | |
| 10 | | 296252952 | WIRE REMOTE LOCKOUT ANTENNA .5 METER | 1 | |
| 11 | | 27148001 | LIGHT-RED WARNING | 1 | |
| 12 | | 81374001 | LIGHT-GREEN WARNING #338-8049 | 1 | |
| 12A | | 70889001 | BULB. #112-1418 | 3 | |
| 13 | | 86581001 | LIGHT-WARNING (AMBER) | 1 | |
| 14 | | 260766001 | SWITCH-MOM BUTTON NO | 1 | |
| 15 | | 286920001 | REMOTE LOCKOUT BUZZER | 1 | |
| 16 | | 296252545 | REMOTE LOCKOUT MINIFLEX ANTENNA | 1 | |
| 17 | | 287706001 | MOUNT - 50 DUROMETER X 1.5 X 1.0 | 4 | |
| 18 | | 235716001 | WASHER - FLATSTRL - .25 - .28 X .63 - .06 - CZ | 8 | |
| 19 | | 296252962 | KEY LOCK - RLE BOX | 1 | |
| 20 | | 296265539 | KEY - SET OF TWO | 1 | |
| 21 | | 235742001 | BOLT-5/16-18X3/4 GR8 ZINC PLTD | 4 | |
| 22 | | 399001 | NUT-8-32 HEX | 2 | |
| 23 | | 57200001 | SCREW-#8-32X1/2 RND.HD.MACH. | 2 | |
| 24 | | 296252528 | MOUNT, SHOCK RX M6X10 | 4 | |
| 25 | | 235741001 | NUT - HEX - .31 - 18 - GR8 -YZ | 4 | |
| 26 | | 235714001 | WASHER - FLATSTRL - .31 - .34 X .69 - .06-YZ-A325 | 4 | |
| 27 | | 506031010 | SCREW-HCS,M6-1.00X10,8.8,YZ,D933,FT | 8 | |
| 28 | | 504543001 | 10-32X3/4 RH M/S ZP | 4 | |
| 29 | | 26692001 | NUT-10-32 NF HEX | 4 | |
| 30 | | 700IB809 | DECAL - REMOTE LOCKOUT | 4 | |
| 31 | | 7000B811 | DECAL - DANGER - RLE - DOMESTIC | 1 | |
| | | 700IB811 | DECAL - DANGER - RLE INTERNATIONAL | 1 | International |
| 32 | | 533006 | SCREW 10-24 X RD HD SLT " REPLACED BY "1802006" | 4 | |
| 33 | | 480001 | WASHER-3/16 S/T LOCK REF T10253 | 4 | |
| 34 | | 296250301 | CONNECTOR BULK HEAD | 1 | |

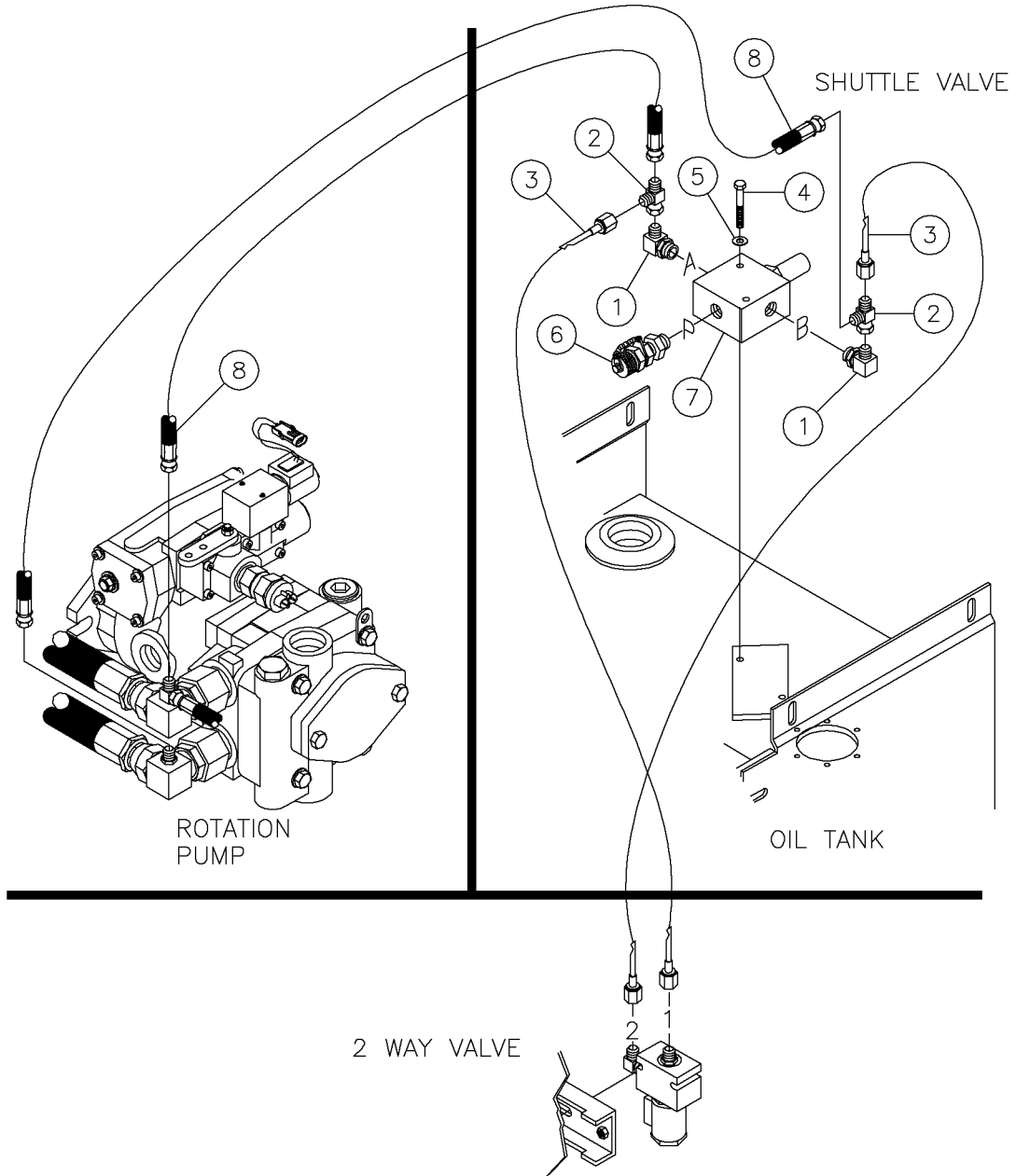
Remote Lockout Hydraulics Fig 13-2r02



Remote Lockout Hydraulics Fig 13-2r02

| REF. NO. | * | PART NO. | DESCRIPTION | QTY. | REMARKS |
|----------|---|---------------|---|------|--------------------------------------|
| | | Revision Date | May, 2005 | | Update In Illustration & Parts List. |
| 1 | | 57950001 | FITTING-90-4MJ-6MORBA | 2 | |
| 2 | | 60248001 | TEE-4M JICX4M JICX4FS JIC | 2 | |
| 3 | | 53843183 | HOSE-1/4X18 4FS JIC 3000 PSI | 2 | S/N 1313- |
| 4 | | 248107001 | BOLT-1/4-20X1 3/4 GR 8 ZINC PL | 2 | |
| 5 | | 235716001 | WASHER - FLATSTRL - .25 -.28 X .63 - .06 - CZ | 2 | |
| 6 | | 72056001 | FITTING-TEST-6MORB-16MTP | 1 | |
| 7 | | 296260319 | VALVE - SHUTTLE W/PRESSURE SWITCH | 1 | |
| | | 296260320 | SWITCH - 500 PSI PRESSURE | 1 | |
| | | 296267116 | SHUTTLE VALVE | 1 | |
| | | 260040007 | SEAL KIT | 1 | |
| 8 | | 53843497 | HOSE-1/4X13 4FS JIC 5000 PSI | 2 | |

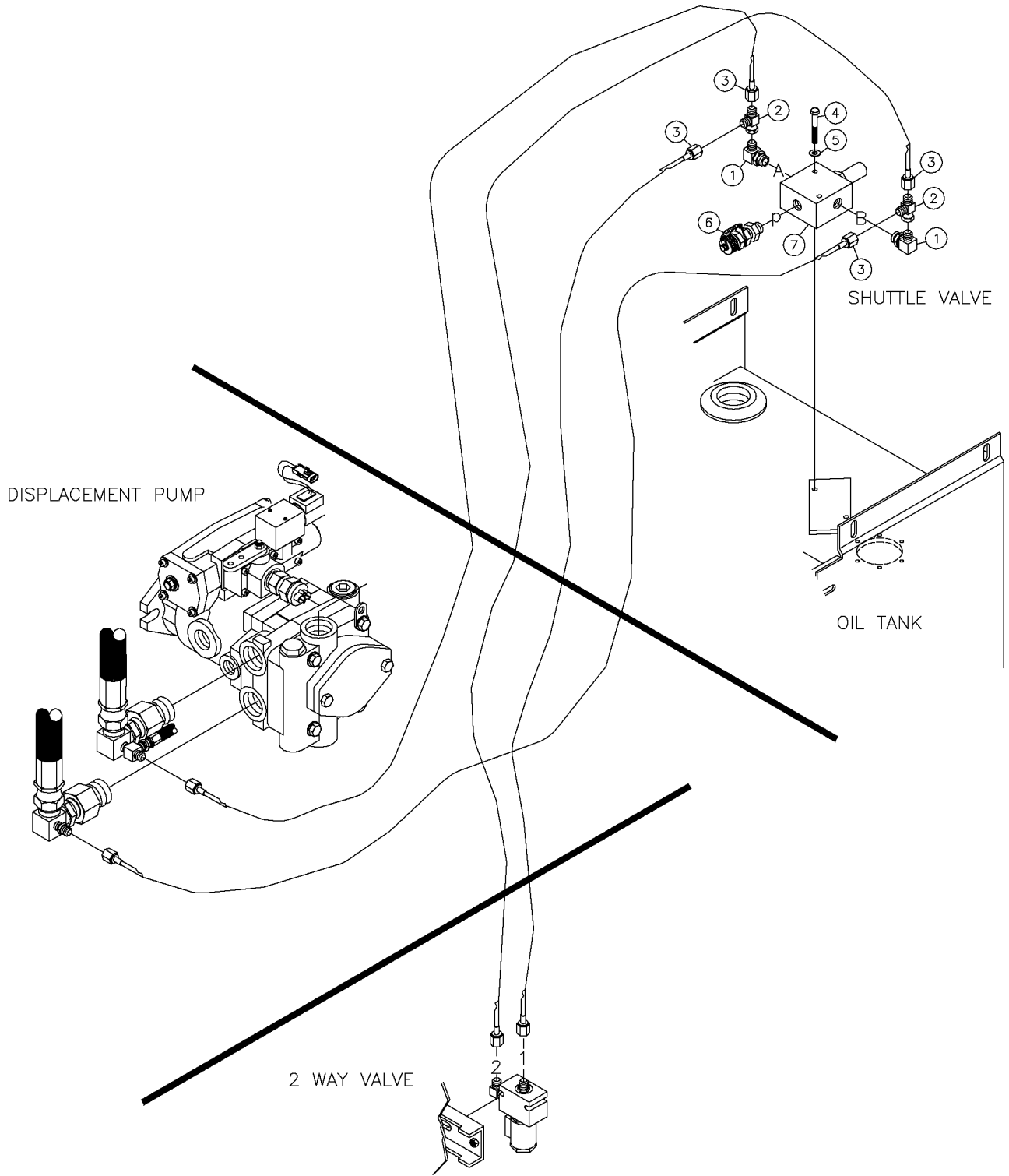
Remote Lockout Hydraulics Fig 13-2r01



Remote Lockout Hydraulics Fig 13-2r01

| REF. NO. | * | PART NO. | DESCRIPTION | QTY. | REMARKS |
|----------|---|---------------|--|------|--------------------------------------|
| | | Revision Date | September, 2004 | | Update In Illustration & Parts List. |
| 1 | | 57950001 | FITTING-90-4MJ-6MORBA | 2 | |
| 2 | | 60248001 | TEE-4M JICX4M JICX4FS JIC | 2 | |
| 3 | | 285557001 | HOSE - .078 X 12 4 FS JIC ST/ST 6900 PSI | 2 | |
| 4 | | 248107001 | BOLT-1/4-20X1 3/4 GR 8 ZINC PL | 2 | |
| 5 | | 235716001 | WASHER - FLATSTRL - .25 - .28 X .63 - .06 - CZ | 2 | |
| 6 | | 72056001 | FITTING-TEST-6MORB-16MTP | 1 | |
| 7 | | 296260319 | VALVE - SHUTTLE W/PRESSURE SWITCH | 1 | |
| | | 296260320 | SWITCH - 500 PSI PRESSURE | 1 | |
| | | 296267116 | SHUTTLE VALVE | 1 | |
| | | 260040007 | SEAL KIT | 1 | |
| 8 | | 53843497 | HOSE-1/4X13 4FS JIC 5000 PSI | 2 | |

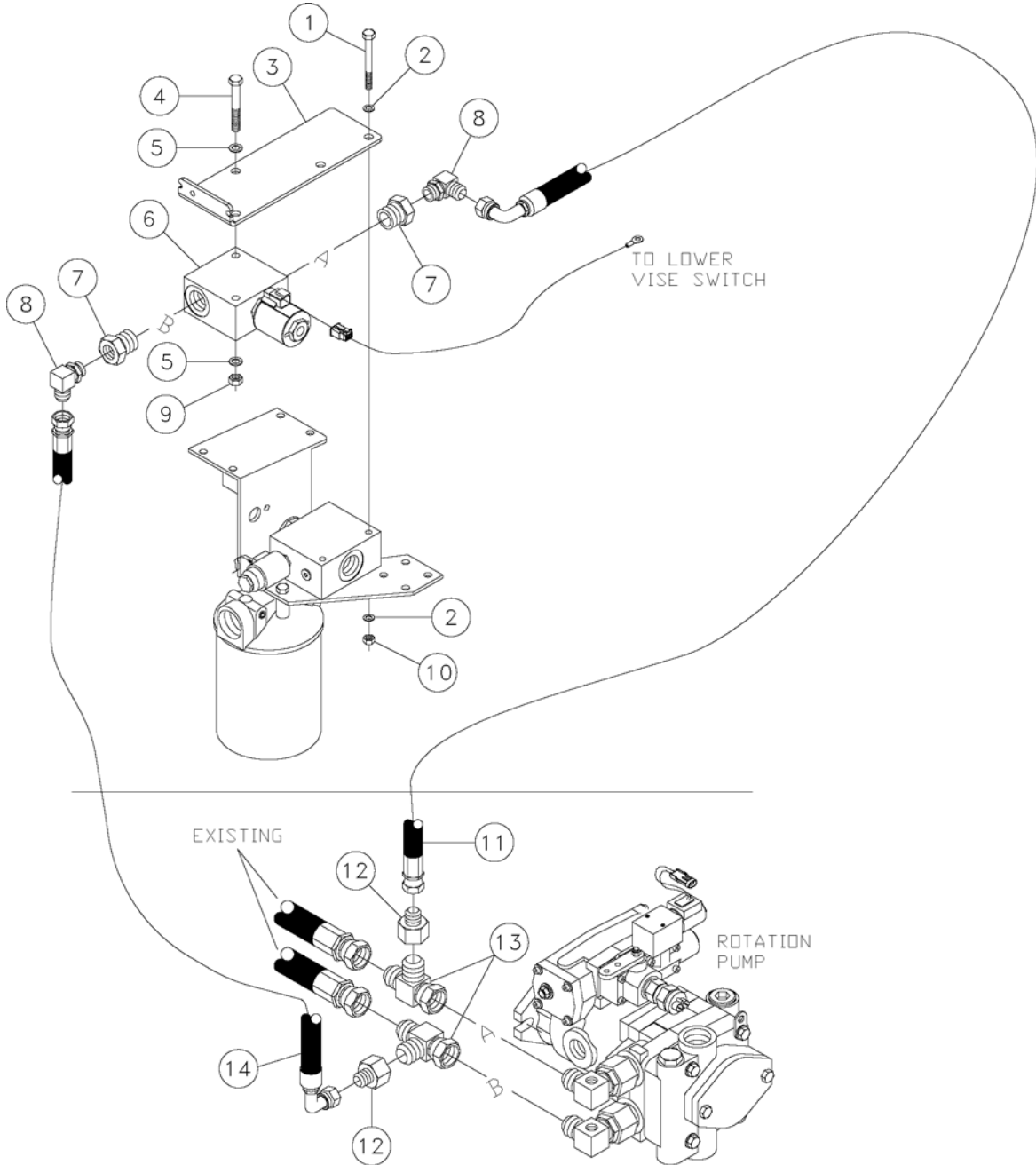
Remote Lockout Hydraulics Fig 13-2



Remote Lockout Hydraulics Fig 13-2

| REF. NO. | * | PART NO. | DESCRIPTION | QTY. | REMARKS |
|----------|---|---------------|--|------|--------------------|
| | | Revision Date | July, 2002 | | Addition To Manual |
| 1 | | 57950001 | FITTING-90-4MJ-6MORBA | 2 | |
| 2 | | 60248001 | TEE-4M JICX4M JICX4FS JIC | 2 | |
| 3 | | 285557001 | HOSE - .078 X 12 4 FS JIC ST/ST 6900 PSI | 4 | |
| 4 | | 248107001 | BOLT-1/4-20X1 3/4 GR 8 ZINC PL | 2 | |
| 5 | | 235716001 | WASHER - FLATSTRL - .25 - .28 X .63 - .06 - CZ | 2 | |
| 6 | | 72056001 | FITTING-TEST-6MORB-16MTP | 1 | |
| 7 | | 296260319 | VALVE - SHUTTLE W/PRESSURE SWITCH | 1 | |
| | | 296260320 | SWITCH - 500 PSI PRESSURE | 1 | |
| | | 296267116 | SHUTTLE VALVE | 1 | |
| | | 260040007 | SEAL KIT | 1 | |

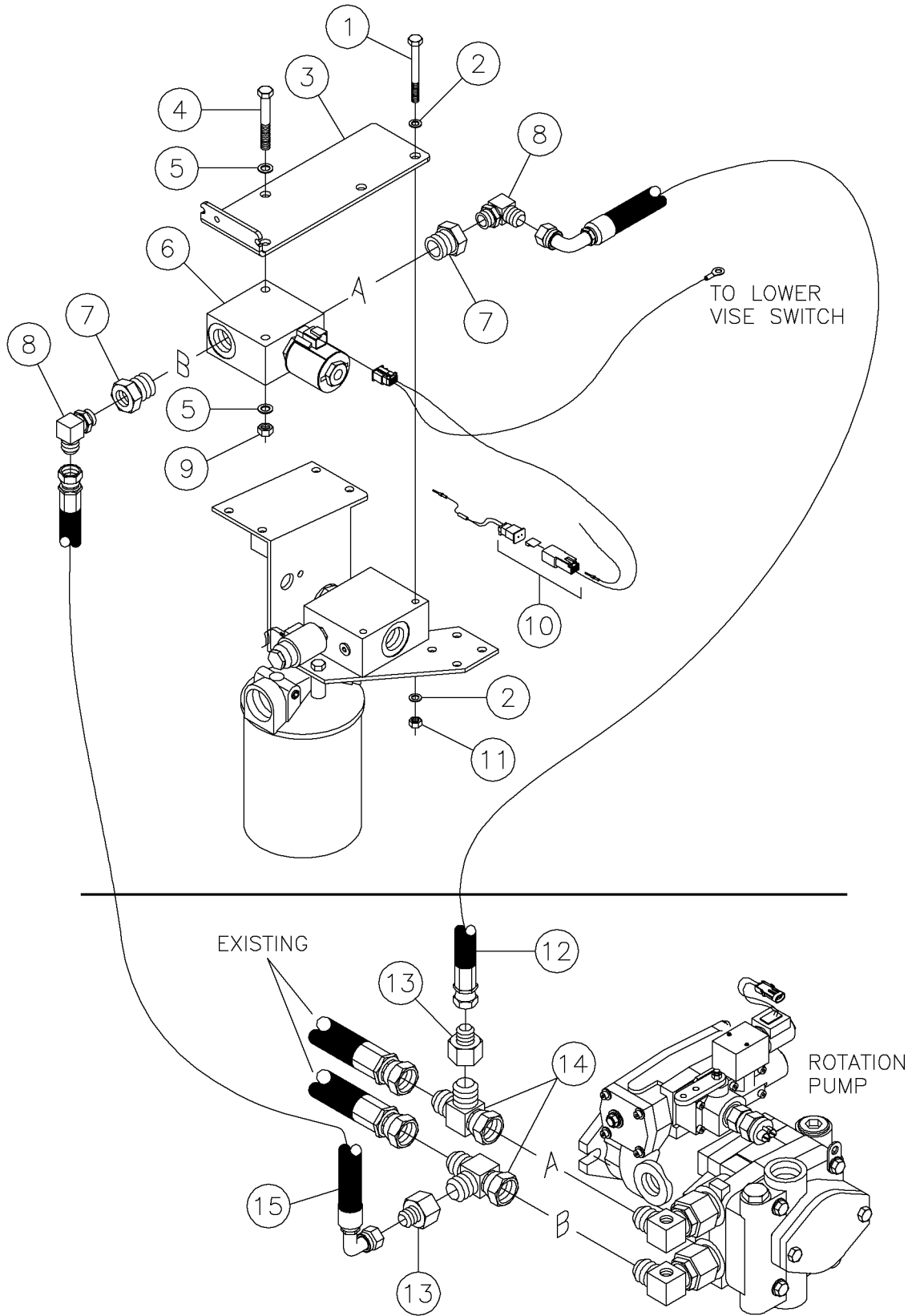
Torque Limiter Hydraulic Valve (S/N 114-) Fig 13-3r02



Torque Limiter Hydraulic Valve (S/N 114-) Fig 13-3r02

| REF. NO. | * | PART NO. | DESCRIPTION | QTY. | REMARKS |
|----------|---|---------------|---|------|------------------------------|
| | | Revision Date | October, 2005 | | Update In Illus.& Parts List |
| 1 | | 238212001 | BOLT - 5/16-18 X 3 HEX GRADE 8 | 2 | |
| 2 | | 235714001 | WASHER - FLATSTRL - .31 - .34 X .69 - .06-YZ-A325 | 4 | |
| 3 | | 296265776 | BRACKET - MOUNTING | 1 | |
| 4 | | 250640001 | BOLT-3/8-16 X2 3/4 GR 8 Y/ZINC | 2 | |
| 5 | | 235713001 | WASHER - FLATSTRL - .38 - .41 X .81 - .06-YA-A325 | 4 | |
| 6 | | 296265775 | VALVE - TORQUE LIMITER | 1 | BREAKDOWN FIGURE 13-4 |
| 7 | | 81702001 | FITTING - STR - 12MORB - 8FORB | 2 | |
| 8 | | 53837001 | FITTING - 8M O-RING X 8M JIC 90 DEGREE | 2 | |
| 9 | | 235725001 | NUT - HEX - .38 - 16 - GR8 - YZ | 2 | |
| 10 | | 235741001 | NUT - HEX - .31 - 18 - GR8 - YZ | 2 | |
| 11 | | 296277275 | HOSE-1/2X21 8FSJIC ST-8FSJIC90 3000 PSI | 1 | |
| 12 | | 59421001 | 12F JICX8M JIC ST REDUCER FITTING | 2 | |
| 13 | | 59417001 | 12 JIC SW RUN TEE | 2 | |
| 14 | | 296277276 | HOSE-1/2X23 8FSJIC ST X 8FSJIC 90 3000 P | 1 | |

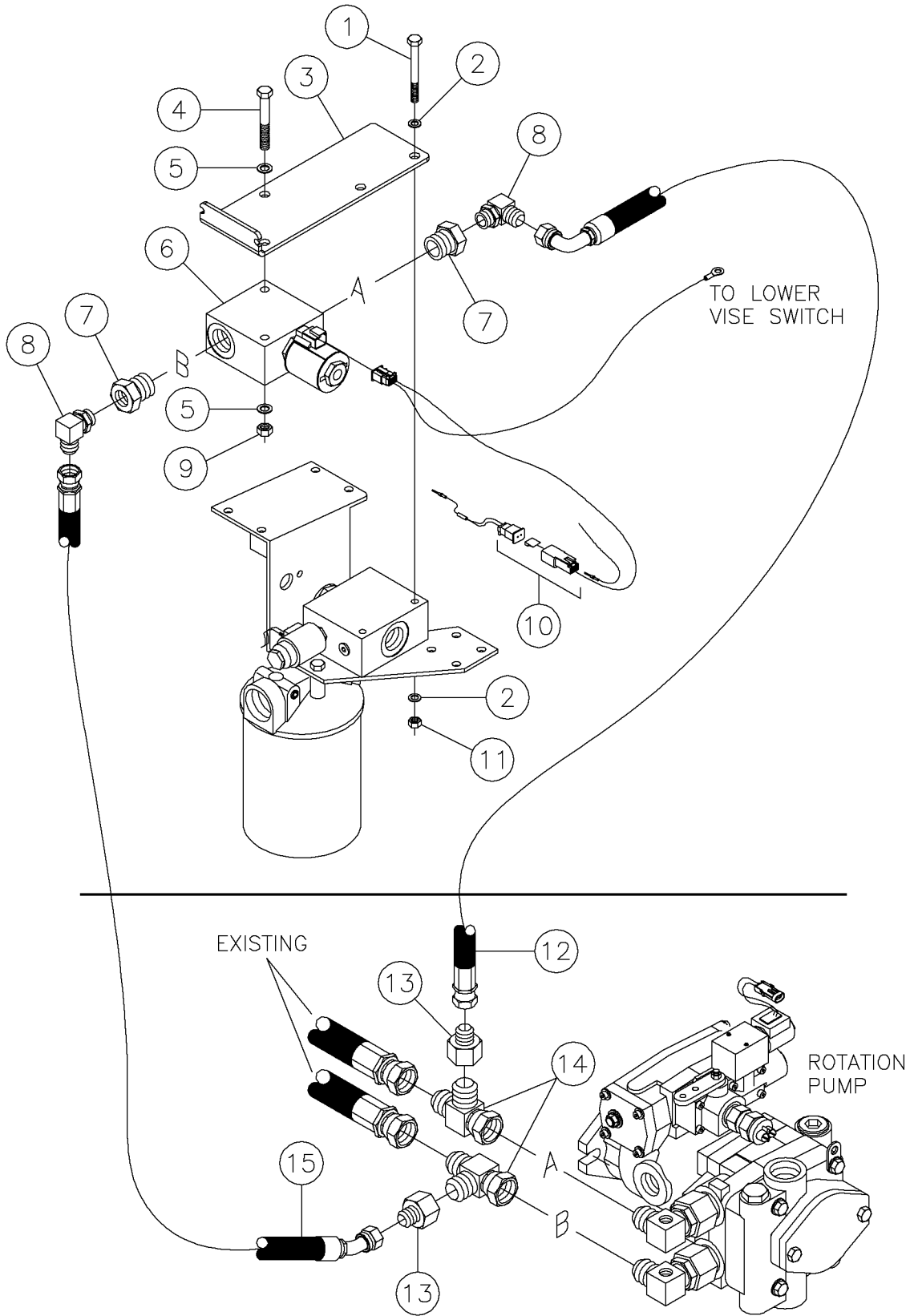
Torque Limiter Hydraulic Valve (S/N 1149-) Fig 13-3r01



Torque Limiter Hydraulic Valve (S/N 1149-) Fig 13-3r01

| REF. NO. | * | PART NO. | DESCRIPTION | QTY. | REMARKS |
|----------|---|---------------|---|------|-------------------------|
| | | Revision Date | May, 2005 | | Update In Illustration. |
| 1 | | 238212001 | BOLT - 5/16-18 X 3 HEX GRADE 8 | 2 | |
| 2 | | 235714001 | WASHER - FLATSTRL - .31 - .34 X .69 - .06-YZ-A325 | 4 | |
| 3 | | 296265776 | BRACKET - MOUNTING | 1 | |
| 4 | | 250640001 | BOLT-3/8-16 X2 3/4 GR 8 Y/ZINC | 2 | |
| 5 | | 235713001 | WASHER - FLATSTRL - .38 - .41 X .81 - .06-YA-A325 | 4 | |
| 6 | | 296265775 | VALVE - TORQUE LIMITER | 1 | BREAKDOWN FIGURE 13-4 |
| 7 | | 81702001 | FITTING - STR - 12MORB - 8FORB | 2 | |
| 8 | | 53837001 | FITTING - 8M O-RING X 8M JIC 90 DEGREE | 2 | |
| 9 | | 235725001 | NUT - HEX - .38 - 16 - GR8 - YZ | 2 | |
| 10 | | 296265779 | HARNESS - WIRE RELIEF KIT | 1 | |
| 11 | | 235741001 | NUT - HEX - .31 - 18 - GR8 -YZ | 2 | |
| 12 | | 296277275 | HOSE-1/2X21 8FSJIC ST-8FSJIC90 3000 PSI | 1 | |
| 13 | | 59421001 | 12F JICX8M JIC ST REDUCER FITTING | 2 | |
| 14 | | 59417001 | 12 JIC SW RUN TEE | 2 | |
| 15 | | 296277276 | HOSE-1/2X23 8FSJIC ST X 8FSJIC 90 3000 P | 1 | |

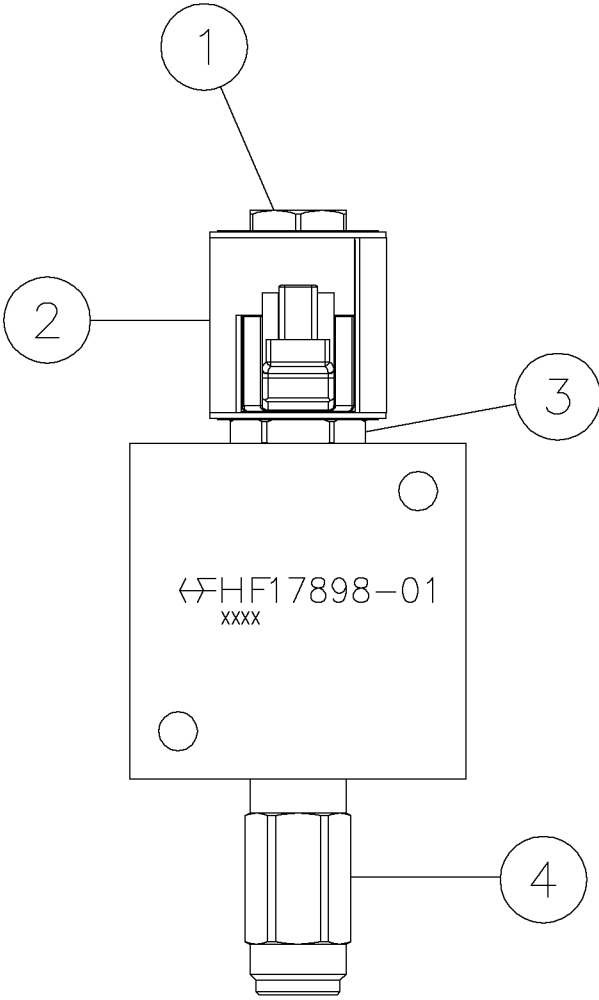
Torque Limiter Hydraulic Valve (S/N 1149-) Fig 13-3



Torque Limiter Hydraulic Valve (S/N 1149-) Fig 13-3

| REF. NO. | * | PART NO. | DESCRIPTION | QTY. | REMARKS |
|----------|---|---------------|---|------|-----------------------|
| | | Revision Date | September, 2004 | | Addition To Manual |
| 1 | | 238212001 | BOLT - 5/16-18 X 3 HEX GRADE 8 | 2 | |
| 2 | | 235714001 | WASHER - FLATSTRL - .31 - .34 X .69 - .06-YZ-A325 | 4 | |
| 3 | | 296265776 | BRACKET - MOUNTING | 1 | |
| 4 | | 250640001 | BOLT-3/8-16 X2 3/4 GR 8 Y/ZINC | 2 | |
| 5 | | 235713001 | WASHER - FLATSTRL - .38 - .41 X .81 - .06-YA-A325 | 4 | |
| 6 | | 296265775 | VALVE - TORQUE LIMITER | 1 | BREAKDOWN FIGURE 13-4 |
| 7 | | 81702001 | FITTING - STR - 12MORB - 8FORB | 2 | |
| 8 | | 53837001 | FITTING - 8M O-RING X 8M JIC 90 DEGREE | 2 | |
| 9 | | 235725001 | NUT - HEX - .38 - 16 - GR8 - YZ | 2 | |
| 10 | | 296265779 | HARNESS - WIRE RELIEF KIT | 1 | |
| 11 | | 235741001 | NUT - HEX - .31 - 18 - GR8 -YZ | 2 | |
| 12 | | 296265778 | HOSE - 1/2 X 19.5 8FS ST/90 | 1 | |
| 13 | | 59421001 | 12F JICX8M JIC ST REDUCER FITTING | 2 | |
| 14 | | 59417001 | 12 JIC SW RUN TEE | 2 | |
| 15 | | 296265777 | HOSE - 1/2 X 21.5 ST/45 3000PSI | 1 | |

Torque Limiter Valve Components Fig 13-4



Torque Limiter Valve Components Fig 13-4

| REF. NO. | * | PART NO. | DESCRIPTION | QTY. | REMARKS |
|----------|---|---------------|------------------------|------|-----------------------------------|
| | | Revision Date | September, 2004 | | Addition To Manual |
| 1 | | 296265598 | NUT - COIL | 1 | |
| 2 | | 296278002 | COIL | 1 | |
| 3 | | 296272890 | CARTRIDGE (NO COIL) | 1 | |
| | | 296278003 | SEAL KIT | 1 | |
| 4 | | 296272891 | RELIEF VALVE | 1 | |
| | | 240324005 | SEAL KIT | 1 | |
| | | | | | |
| | | 296265775 | VALVE - TORQUE LIMITER | | (Include All Item In This Figure) |

This page intentionally left blank.

Revision History

| Revision | Date | Page(s) | Description |
|----------|-----------------|---|---|
| P1.10 | July, 2002 | ALL | 1st Edition Manual, 10th Revision. Converted To Two Page Format |
| P1.11 | September, 2002 | TOC, 1-4, 1-5, 1-6, 1-7, 1-8, 1-9, 1-10, 1-11, 1-13, 1-14, 1-15, 1-18, 2-2, 2-3, 2-5, 2-6, 2-8, 2-12, 2-13, 2-16, 2-35, 2-37, 2-42, 2-45, 3-1, 3-2, 3-3, 3-5, 3-6, 3-10, 4-1, 4-3, 5-2, 5-3, 5-4, 8-3, 8-5, 11-16, 11-17, 11-18, Deleted pages, 1-1, 1-2, New pages, 1-1X01, 1-1X02, 1-1X03, 1-1X04, 1-1X05, 1-1X06, 1-2X01, 1-2X02, 1-2X03, 1-2X04, 1-2X05, 1-2X06, 2-50, 2-51, Added Sections 12 & 13 | 1st Edition, 11th Revision Released |
| P1.12 | September, 2004 | TOC, 1-1x06, 1-2x06, 1-11, 1-13, 1-15, 2-4, 2-6, 2-10, 2-47, 3-1, 3-2, 3-3, 3-4, 3-5, 3-6, 3-7, 3-8, 3-10, 4-1, 4-2, 4-3, 4-6, 4-8, 4-10, 5-2, 5-6, 5-7, 5-8, 8-3, 11-1, 11-3, 11-8, 11-16, 12-2, 13-2, 13-3, 13-4, New Pages, 4-10, 4-11, 13-3 & 13-4 | 1st Edition, 12th Revision Released |
| P1.13 | May, 2005 | TOC, 1-1x04, 1-1x06, 1-2x04, 1-2x06, 1-15, 2-1, 2-3, 2-5, 2-6, 2-8, 2-9, 2-11, 2-18, 2-19, 2-20, 3-1, 3-3, 3-10, 4-1, 4-2, 4-8, 5-6, 6-1, 11-1, 11-3, 11-6, 11-10, 11-11, 12-1, 12-2, 13-2, 13-3, New Pages 4-12 | 1st Edition, 13th Revision Released |
| P1.14 | JULY, 2005 | TOC, 1-7, 1-8, 2-8, 3-2, 3-10, 4-1, 4-4, | 1st Edition, 14th Revision Released |
| P1.15 | October, 2005 | TOC, 1-2x05r01, 1-4r06, 2-5r07, 2-8r08, 2-16r06, 2-35r04, 2-50r01, 2-50r02, 4-1r09, 4-1r09=c, 4-3r05, 4-12r01, 5-2r05, 7-3r02, 11-6r04, 13-1r01, & 13-3r02 New Pages | 1st Edition, 15th Revision Released |
| P1.16 | June, 2006 | TOC, 1-1x05, 1-1x06, 1-2x05, 1-2x06, 1-4, 1-5, 1-9, 1-11, 1-19, 2-3, 2-4, 2-6, 2-8, 2-11, 2-13, 2-19, 3-1, 3-2, 3-3, 3-5, 4-1, 4-2, 4-3, 4-4, 4-6, 5-3, 7-2, 7-3, 11-1, 11-11, 13-1 New Pages: 2-52, 4-13, 4-14, 4-15, | 1st Edition, 16th Revision Released |

